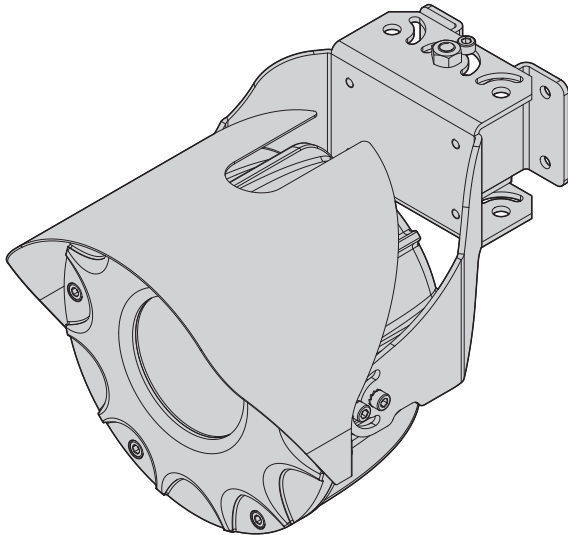




MAXIMUS MMX

Flameproof FULL HD camera in a compact design



EN English - Instruction manual

IT Italiano - Manuale di istruzioni

FR Français - Manuel d'instructions

DE Deutsch - Bedienungsanleitung

RU Русский - Руководство по эксплуатации

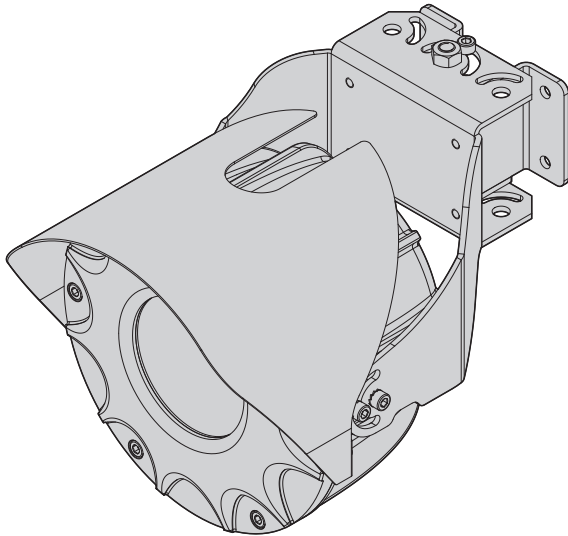
PT Português - Manual de instruções

KO 한국어 - 지침 설명서



MAXIMUS MMX

Flameproof FULL HD camera in a compact design



Contents

1 About this manual	5
1.1 Typographical conventions	5
2 Notes on copyright and information on trademarks	5
3 Safety rules	5
4 Product description and type designation	8
4.1 Product overview	8
4.2 Range of use	9
4.3 Specific use conditions	9
4.4 Gas Group, Dust Group and Temperatures	9
4.5 Cable entry	9
4.6 Product marking label	10
4.7 For UL/CSA standard reference only	11
Important safety instructions	11
Marking label	11
Connections	12
Regulation references	12
4.8 Model identification	13
5 Preparing the product for use	14
5.1 Unpacking	14
5.2 Contents	14
5.3 Safely disposing of packaging material	14
6 Installation	14
6.1 Installation options	15
6.1.1 Fixing to parapet or ceiling mount	16
6.1.2 Wall mounting	17
6.2 Sunshield mounting	17
6.3 Housing opening	18
6.4 Slide removal	18
6.5 Housing board description	18
6.6 Connecting the power supply	19
6.6.1 Connecting the power supply, 24Vac/24Vdc (version of the product not cabled)	19
6.6.2 Connecting the power supply, PoE+ (version of the product not cabled)	19
6.6.3 Connecting the power supply, 24Vac/24Vdc (version of the product cabled)	19
6.6.4 Connecting the power supply, PoE+ (version of the product cabled)	19
6.7 Ethernet cable connection	20
6.7.1 Connection of the Ethernet cable (cabled version of the product)	20
6.8 Earthing equipotential connection	20
6.9 Housing closure	21
7 Switching on	22
8 Configuration	22
8.1 Default IP address	22

8.2 Web interface	22
8.2.1 First access to the web pages.....	22
9 Maintenance	23
9.1 Routine maintenance.....	23
9.1.1 Inspecting the cables	23
9.2 Extraordinary maintenance	23
9.2.1 Fuses replacement.....	23
9.2.2 Replacing the gasket	24
9.2.3 Factory Default	24
10 Cleaning	25
10.1 Cleaning the glass window	25
10.2 Cleaning the product.....	25
11 Information on disposal and recycling	25
12 Troubleshooting	26
13 Technical data	26
13.1 Mechanical.....	26
13.2 Cable glands	26
13.3 Housing's window	26
13.4 Electrical	26
13.5 Network.....	26
13.6 Cameras	27
13.7 Environment	28
13.8 Certifications.....	28
13.9 Certifications - Explosion-proof applications.....	28
13.10 Certifications - Marine applications	28
14 Technical drawings.....	29

1 About this manual

Read all the documentation supplied carefully before installing and using this product. Keep the manual in a convenient place for future reference.

1.1 Typographical conventions



DANGER!

Explosion hazard.

Read carefully to avoid danger of explosion.



DANGER!

High level hazard.

Risk of electric shock. Disconnect the power supply before proceeding with any operation, unless indicated otherwise.



CAUTION!

Medium level hazard.

This operation is very important for the system to function properly. Please read the procedure described very carefully and carry it out as instructed.



INFO

Description of system specifications. We recommend reading this part carefully in order to understand the subsequent stages.

Underlined titles

Information is subject to certifications.

2 Notes on copyright and information on trademarks

The mentioned names of products or companies are trademarks or registered trademarks.

ONVIF® is a trademark of Onvif, Inc.

3 Safety rules



DANGER!

Explosion hazard.

Read carefully to avoid danger of explosion.

- Installation and maintenance of the appliance must be carried out by specialist technical staff in compliance with the applicable reference standard EN/IEC 60079-14, EN/IEC 60079-17 and national standards.
- Do not open the device when powered and in explosive atmosphere.
- Use appropriate tools for the installation. The particular nature of the site where the device is to be installed may mean special tools are required for installation.
- Make all connections, installation and maintenance work in a non-explosive atmosphere.
- The equipotential connection is mandatory to avoid the risk of ignition of products installed in potentially explosive environments.
- Before powering the product in an explosive atmosphere, ensure it is closed correctly.
- The temperature of the surfaces of the device is increased by exposure to direct sunlight. The surface temperature class of the device was determined only with ambient ambient temperature, without taking into consideration direct sunlight.
- Make sure that all the equipment are certified for the application and for the environment in which they will be installed.
- Any change that is not expressly approved by the manufacturer will invalidate the guarantee.

**DANGER!****High level hazard.****Risk of electric shock. Disconnect the power supply before proceeding with any operation, unless indicated otherwise.**

- Make sure that the power is off when installing or carrying out maintenance, with the circuit-breaker open.
- A power disconnect device must be included in the electrical installation, and it must be very quickly recognizable and operated if needed.
- The electrical system to which the unit is connected must be equipped with a 10A max automatic bipolar circuit breaker. The minimum distance between the circuit breaker contacts must be 3mm (0.1in). The switch must be equipped with protection against overcurrent (circuit breaker).
- The device can only be considered to be switched off when the power supply has been disconnected and the connection cables to other devices have been removed.
- Be careful not to use cables that seem worn or old.
- All the cables must comply with IEC60332-1-2, IEC 60332-1-3 and IEC/EN60079-14.
- When commencing installation make sure that the specifications for the power supply for the installation correspond with those required by the device.
- For continued protection against risk of fire, replace only with same type and rating of fuse. Fuses must be replaced only by service personnel.
- This equipment is not suitable for use in locations where children are likely to be present.

**CAUTION!****Medium level hazard.****This operation is very important for the system to function properly. Please read the procedure described very carefully and carry it out as instructed.**

- Make sure that the installation complies with local regulations and specifications.
- Make connections and tests in the laboratory before carrying out installation on site.
- Check that the power supply socket and cable are adequately dimensioned.
- Use suitable cables that can withstand the operating temperatures.
- All disconnected cables must be electrically isolated.
- The product can be installed in any position.
- Make sure the product is to be secured to building before operation.
- The manufacturer declines all liability for damage to any of the apparatus mentioned in this handbook, when resulting from tampering, use of non-original spare parts, installation, maintenance and repairs performed by non-authorized, non-skilled personnel.
- Only use original VIDEOTEC spare parts. Strictly adhere to the maintenance instructions attached to each replacement kit.
- For technical services, consult only and exclusively authorized technicians.
- This product must only be repaired by suitably trained personnel or under the supervision of VIDEOTEC personnel in accordance with the foreseen terms and conditions: IEC/EN60079-19.
- TNV-1 installation type. The installation is type TNV-1, do not connect it to SELV circuits.
- Handle the product with care to avoid accidental contacts, sharp edges and corners.



INFO

**Description of system specifications.
We recommend reading this part carefully
in order to understand the subsequent
stages.**

- Before proceeding with installation, check the supplied material to make sure it corresponds to the order specification by examining the identification labels.
- The equipment is intended for installation in a Restricted Access Area by specialist technical staff.
- The manufacturer declines all responsibility for any damage caused by an improper use of the appliances mentioned in this manual. Furthermore, the manufacturer reserves the right to modify its contents without any prior notice. The documentation contained in this manual has been collected and verified with great care. The manufacturer, however, cannot take any liability for its use. The same thing can be said for any person or company involved in the creation and production of this manual.
- Since the user is responsible for choosing the surface to which the unit is to be anchored, we do not supply the fixing devices for attaching the unit firmly to the particular surface. The installer is responsible for choosing fixing devices suitable for the specific purpose on hand. Use methods and materials capable of supporting at least 4 times the weight of the device.
- For all maintenance interventions, we recommend you return the product to the laboratory that will perform all required operations.
- This is a Class A product. In a domestic environment this product may cause radio interference. In this case the user may be required to take adequate measures.
- To comply with the main supply voltage dips and short interruption requirements, use a suitable Uninterruptible Power Supply (UPS) to power the unit.
- Device shall be supplied by PS2 energy source
- To feed the product use a safety transformer and/or a voltage isolated power supply with the appropriate characteristics. The characteristics of output power must not exceed the following values. Supply voltage: 24Vac ($\pm 10\%$) or 24Vdc ($\pm 5\%$).
- In the case of a 24Vac power supply, you must provide for adequate separation from the AC power supply line using double or reinforced insulation between the main power supply line and the secondary circuit.

4 Product description and type designation

EN – English – Instruction manual

The MMX flameproof housing was designed for installation in potentially explosive environments, manufactured in AISI 316L shot peened and electro-polished stainless steel. The housing can be powered 24Vac, 24Vdc or using an Ethernet (PoE+) cable. The housing is equipped with a 1/2" NPT input. The MMX housing has an IP66/IP68/IP69 level of protection and can be installed, according to the class, in an ambient with temperatures that vary between -40°C up to +70°C.

4.1 Product overview

The main parts of the product are illustrated below.

01. Fastening support.
02. Reinforcement support.
03. Housing support.
04. Spacer.
05. M8x80 screw.
06. Sunshield.
07. Housing.

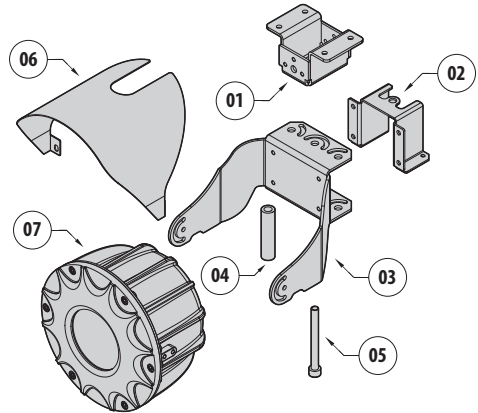


Fig. 1

4.2 Range of use

The unit is designed for use in a fixed location, for surveillance of areas classified as zone 1-21 and zone 2-22 with potentially explosive atmospheres.

The unit has been built and certified in compliance with directive 2014/34/UE and with the international standards IECEx, which define its range of application and minimum safety requirements.

4.3 Specific use conditions

The external surface of the product must never be covered by more than 5 mm of dust.

To avoid accumulation of electrostatic loads during cleaning, the device must be cleaned using a damp cloth.

The cameras to be installed shall not be electromagnetic or contain lasers, continuous wave sources or ultrasonic energy radiating equipment.

The cameras to be installed shall not contain cells or batteries.

The cameras must have basic geometric shapes.

Ambient temperature and surface temperature - see the instructions.

Contact the manufacturer for information on the dimensions of the flameproof joint.

4.4 Gas Group, Dust Group and Temperatures

The device is certified for group IIB (Gas) and group IIIC (Dust).

Ambient temperature: -40°C/+65°C or +70°C.

TEMPERATURE CLASS	MAXIMUM AMBIENT TEMPERATURE
T6 / T85°C	+65°C
T5 / T100°C	+70°C

Tab. 1

4.5 Cable entry

All cable glands shall be Ex certified, as appropriate, with protection type "db" and "tb", suitable for the conditions of use and installed correctly.

When conduit is used, a suitable Ex certified stopping box shall be used, as appropriate, with protection type "db" and "tb", suitable for the conditions of use and installed correctly.

The stopping box must be fitted within 50mm (1.97in) from the enclosure entry.

The cable entry temperatures are specified in the marking.

To maintain the IP level of product use cable glands with appropriate IP level and apply to threads a sealant compliant with standard IEC/EN60079-14.

4.6 Product marking label

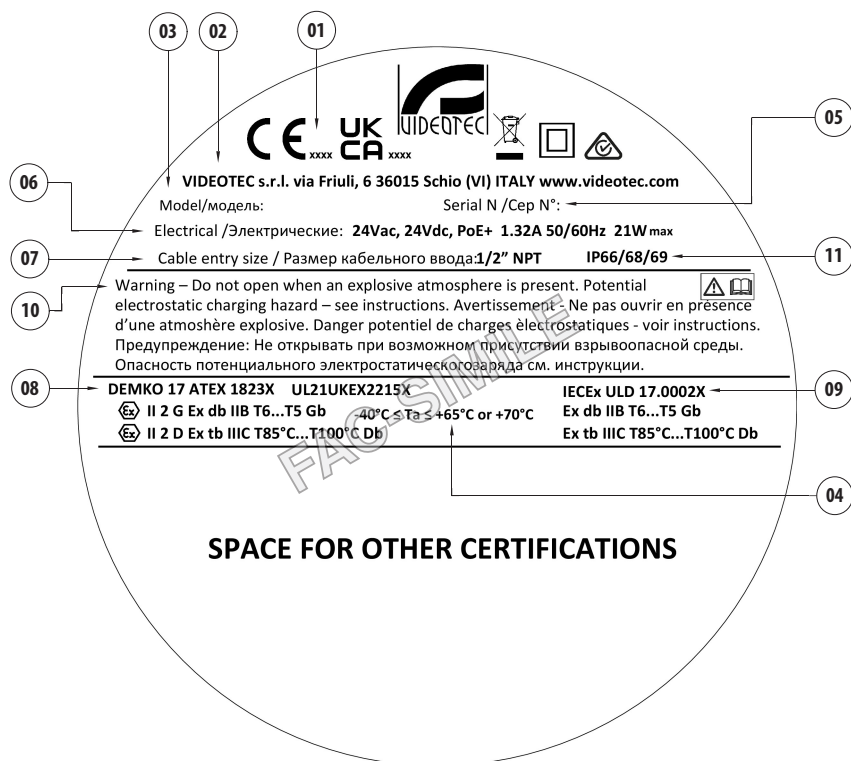


Fig. 2

1. Number of the accredited body providing quality evaluation.
2. Manufacturer's name and address.
3. Model.
4. Ambient temperature of use.
5. The serial number consists in 12 numeric characters, the second and third digits define the last two numbers of the year of manufacture.
6. Electrical characteristics (voltage V, frequency Hz, current A, power W).
7. Type, size and number of cable entries
8. ATEX marking. The Class temperature depends on the electronics installed inside and the ambient temperature.
9. IECEx marking. The Class temperature depends on the electronics installed inside and the ambient temperature.
10. Warnings.
11. IP protection degree.

4.7 For UL/CSA standard reference only.



The flameproof joints are not intended to be repaired.



In the USA, the National Electrical Code (NEC) and in Canada the Canadian Electrical Code (CEC) apply to electrical equipment used on hazardous industrial premises. These Codes contain the installation regulations for electrical facilities in all areas and refer to a number of further standards of other institutions with specifications for the construction and installation of suitable equipment.

Important safety instructions

WARNING: A SEAL SHALL BE INSTALLED WITHIN 50 mm OF THE ENCLOSURE.

AVERTISSEMENT: UN SCÈLEMENT DOIT ÊTRE INSTALLÉ À MOINS DE 50 mm DU BOÎTIER.

WARNING: "CABLE ENTRY AND BRANCHING POINT IS 83.2°C AT +65°C AMBIENT AND 88.2°C AT +70°C AMBIENT. USE SUITABLE CABLE AND CABLE GLANDS".

AVERTISSEMENT: LA TEMPÉRATURE DE L'ENTRÉE DE CÂBLE ET DU POINT DE BRANCHEMENT EST DE 83.2°C JUSQU'À + 65°C AMBIANT ET DE 88.2°C JUSQU'À + 70°C AMBIANT. UTILISEZ LE CÂBLE ET LES PRESSE-ÉTOUPES APPROPRIÉS.

WARNING: DO NOT OPEN WHEN EXPLOSIVE ATMOSPHERE IS PRESENT.

AVERTISSEMENT - NE PAS OUVRIR EN PRÉSENCE D'UNE ATMOSPHÈRE EXPLOSIVE

WARNING: POTENTIAL ELECTROSTATIC CHARGING HAZARD – SEE INSTRUCTIONS.

AVERTISSEMENT - DANGER POTENTIEL DE CHARGES ÉLECTROSTATIQUES - VOIR INSTRUCTIONS

Marking label



Fig. 3

NEMA Types: TYPE 4X, TYPE 6P

Connections



The choice of connection must comply with local legislation in force.

Cable glands: select a cable gland in compliance with UL2225 with the following protection AEx d IIC and C22.2 with the following protection Ex d IIC in compliance with the marking of the product.

Conduit: it is necessary to install a sealing device within 50mm of the product input when the conduit is used.

Regulation references

UL 60950-1, 2nd Edition, 2019-05-09 (Information Technology Equipment - Safety - Part 1: General Requirements)

CAN/CSA C22.2 No. 60950-1-07, 2nd Edition, 2014-10 (Information Technology Equipment - Safety - Part 1: General Requirements)

UL 62368-1, 2nd Ed, 2014-12-01 (Audio/video, information and communication technology equipment Part 1: Safety requirements)

CAN/CSA C22.2 No. 62368-1-14, 2nd Ed, Issued: 2014-12-01 (Audio/video, information and communication technology equipment Part 1: Safety requirements)

UL 60079-0, 7th Edition, Explosive atmospheres - Part 0: Equipment - General requirements

UL 60079-1, 7th Edition, Explosive Atmospheres - Part 1: Equipment Protection by Flameproof Enclosures "d"

UL 60079-31, 2nd Edition, Explosive Atmospheres - Part 31: Equipment Dust Ignition Protection by Enclosure "t"

CSA C22.2 No. 60079-0:19, Explosive atmospheres - Part 0: Equipment - General requirements

CSA C22.2 No. 60079-1:16, Explosive Atmospheres - Part 1: Equipment Protection by Flameproof Enclosures "d"

CSA C22.2 No. 60079-31:15, Explosive Atmospheres - Part 31: Equipment Dust Ignition Protection by Enclosure "t"

4.8 Model identification

MAXIMUS MMX - CONFIGURATION OPTIONS						
	Voltage	Camera	Connections	Video Output	ONVIF Profiles	
MMX	2 24Vdc/ 24Vac, PoE+	4 Day/Night camera 3X zoom, FullHD	0 Without cable, without cable gland	Z IP	A	Complies with ONVIF, Profile Q, Profile S and Profile T
		D Day/Night camera 10X zoom, FullHD	A Cable gland Ex d 1/2" NPT and 4m (13ft) armoured cable		J	Complies with ONVIF, Profile S and Profile T
			B Cable gland Ex d 1/2" NPT and 10m (32.8ft) armoured cable			

Tab. 2

MAXIMUS MMX - CERTIFICATIONS AND MARKINGS (WITH CABLE)			
Certification	Marking	Ambient temperature	Cable input temperature
ATEX	Ⓜ II 2 G Ex db IIB T6...T5 Gb Ⓜ II 2 D Ex tb IIIC T85°C...T100°C Db	-40°C ≤ Ta ≤ +65°C or +70°C	+83.2°C with Ta ≤ +65°C +88.2°C with Ta ≤ +70°C
IECEX	Ex db IIB T6...T5 Gb Ex tb IIIC T85°C...T100°C Db		
EAC Ex	1Ex db IIB T6...T5 Gb X Ex tb IIIC T85°C...T100°C Db X		
INMETRO	Ex db IIB T6...T5 Gb Ex tb IIIC T85°C...T100°C Db		
UK Ex	Ⓜ II 2 G Ex db IIB T6...T5 Gb Ⓜ II 2 D Ex tb IIIC T85°C...T100°C Db		

Tab. 3

MAXIMUS MMX - CERTIFICATIONS AND MARKINGS (WITHOUT CABLE)			
Certification	Marking	Ambient temperature	Cable input temperature
ATEX	Ⓜ II 2 G Ex db IIB T6...T5 Gb Ⓜ II 2 D Ex tb IIIC T85°C...T100°C Db	-40°C ≤ Ta ≤ +65°C or +70°C	+83.2°C with Ta ≤ +65°C +88.2°C with Ta ≤ +70°C
IECEX	Ex db IIB T6...T5 Gb Ex tb IIIC T85°C...T100°C Db		
EAC Ex	1Ex db IIB T6...T5 Gb X Ex tb IIIC T85°C...T100°C Db X		
KCs	Ex db IIB T6...T5 Gb Ex tb IIIC T85°C...T100°C Db		
INMETRO	Ex db IIB T6...T5 Gb Ex tb IIIC T85°C...T100°C Db		
Hazardous Location America	Class I, Zone 1, AEx db IIB T6...T5 Gb Zone 21, AEx tb IIIC T85°C...T100°C Db Class I, Div 2 Group C, D T6...T5 Class II, Div 2, Group F and G T6...T5		
Hazardous Location Canada	Ex db IIB T6...T5 Gb X Ex tb IIIC T85°C...T100°C Db X Class I, Div 2 Group C, D T6...T5 Class II, Div 2, Group F and G T6...T5		
UK Ex	Ⓜ II 2 G Ex db IIB T6...T5 Gb Ⓜ II 2 D Ex tb IIIC T85°C...T100°C Db		

Tab. 4

5 Preparing the product for use



Before carrying out any type of intervention, read the "Safety rules" chapter of this manual.

5.1 Unpacking

When the product is delivered, make sure that the package is intact and that there are no signs that it has been dropped or scratched.

If there are obvious signs of damage, contact the supplier immediately.

When returning a faulty product we recommend using the original packaging for shipping.

Keep the packaging in case you need to send the product for repairs.

5.2 Contents

Check the contents to make sure they correspond with the list of materials as below:

- Flameproof housing
- O-ring replacement part kit
- Bracket kit
- Instruction manual

5.3 Safely disposing of packaging material

The packaging material can all be recycled. The installer technician will be responsible for separating the material for disposal, and in any case for compliance with the legislation in force where the device is to be used.

6 Installation



Before carrying out any type of intervention, read the "Safety rules" chapter of this manual.

We strongly recommend using only approved brackets and accessories during installation.

6.1 Installation options



The M8 axis must always be in the vertical position.

The brackets supplied allow installation of the product in the positions illustrated below.

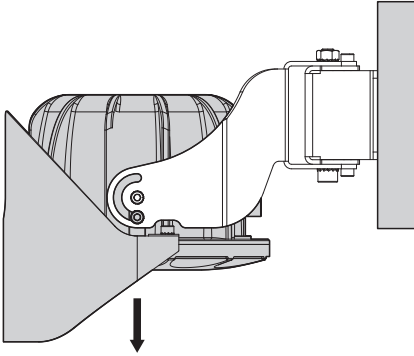


Fig. 4 Example of wall installation, vertical rotation, -90° .

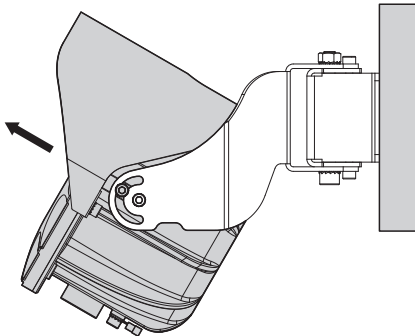


Fig. 5 Example of wall installation, vertical rotation, $+30^\circ$.

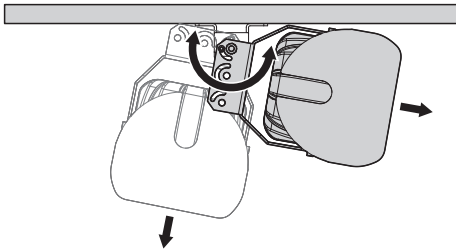


Fig. 6 Example of wall installation, horizontal rotation, from 26° up to 80° .

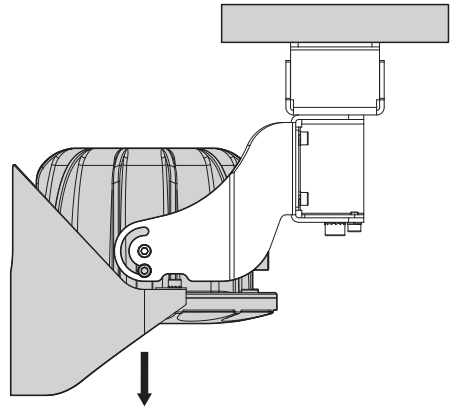


Fig. 7 Example of ceiling installation, vertical rotation, -90° .

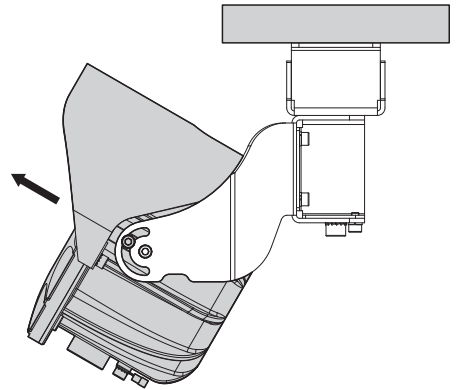


Fig. 8 Example of ceiling installation, vertical rotation, $+30^\circ$.

6.1.1 Fixing to parapet or ceiling mount

The product can be installed on a parapet or on the ceiling.

Fasten the fastening support (01) to its final installation surface.

Tighten the screws.

Attach the reinforcement support (02) to the housing support (03) using the M5 screws and the 5 washers supplied. Fasten the 2 supports assembled as such to the fastening support (01) using the M8 screw (05), the 8 toothed washers and a relevant spacer (04). Once the final position of the product is defined, fully tighten the M8 screw (05) and fasten the M5 screw (08) to block rotation.

The cable connected to the housing could hinder operations. You can, by dismantling the sunshield, rotate the housing 180° (6.2 Sunshield mounting, page 17).

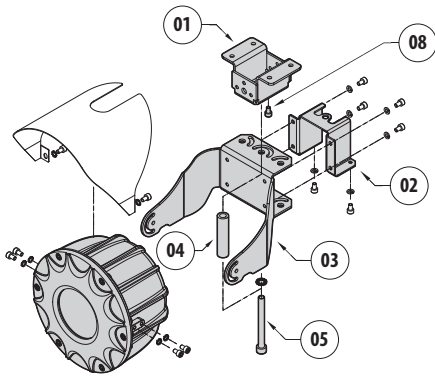


Fig. 9 Ceiling mounting (housing in normal position).

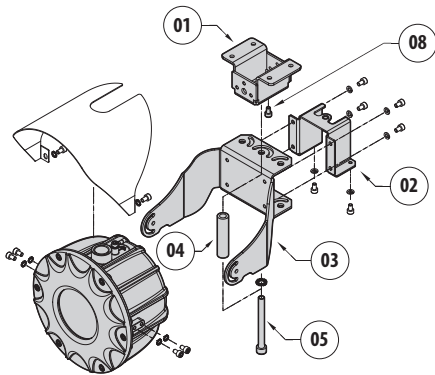


Fig. 10 Ceiling mounting (housing in overturned position).

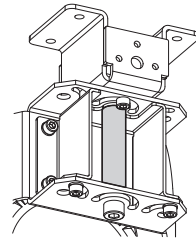


Fig. 11 Rear view of completed installation.

Fastening to a parapet or to the ceiling depends on the position of the fastening support.

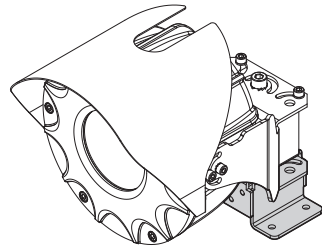


Fig. 12 Parapet mounting.

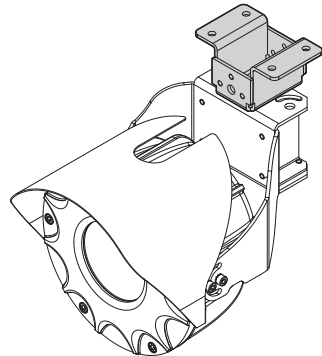


Fig. 13 Ceiling mounting.



Pay attention to the fixing. Tightening torque: M5 screws, 9Nm (± 0.5 Nm). M8 screw, 16.5Nm (± 0.5 Nm).

6.1.2 Wall mounting

The product can be installed on a wall.

Fasten the fastening support (01) to its final installation surface.

Tighten the screws.

Attach the housing support (03) to the fastening support (01) using the M8 screw (05), washers and nut. Once the final position of the product is defined, fully tighten the M8 screw (05) and fasten the M5 screws (08) to block rotation.

The cable connected to the housing could hinder operations. You can, by dismantling the sunshield, rotate the housing 180° (6.2 Sunshield mounting, page 17).

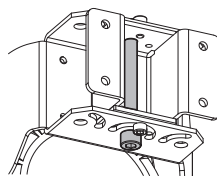


Fig. 16 Rear view of completed installation.

Pay attention to the fixing. Tightening torque: M5 screws, 9Nm (± 0.5 Nm). M8 screw, 16.5Nm (± 0.5 Nm).

6.2 Sunshield mounting

The product is supplied with the sunshield already installed.

For installation or maintenance needs, the sunshield can be dismantled. Unscrew the sunshield screws and remove it.

Re-assemble the sunshield before fastening the housing to the housing support.

Pay attention to the fixing. Tightening torque: 6Nm (± 0.5 Nm).

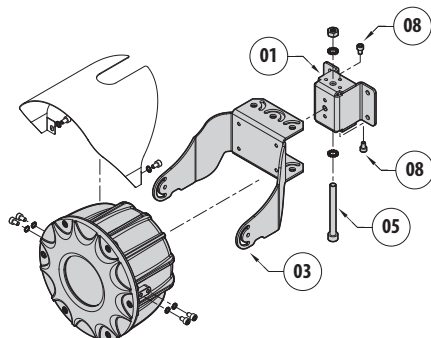


Fig. 14 Housing in normal position.

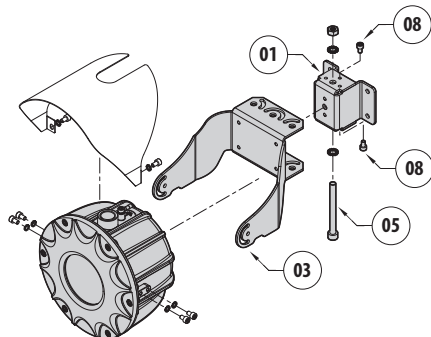


Fig. 15 Housing in overturned position.

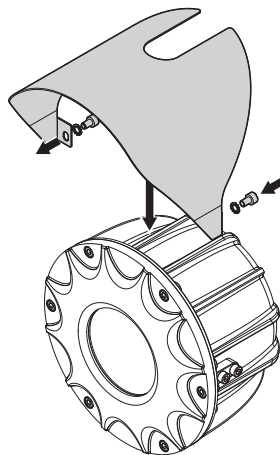


Fig. 17

6.3 Housing opening



Before carrying out any type of intervention, read the "Safety rules" chapter of this manual.

Unscrew the fastening screws and remove the front cover from the housing body.

Screws properties

- Diameter/Screw pitch: M5x0.8
- Material: A4
- Screw head: ISO 4762
- Length: 8mm (0.3in)
- Yield stress (min): 450N/mm²

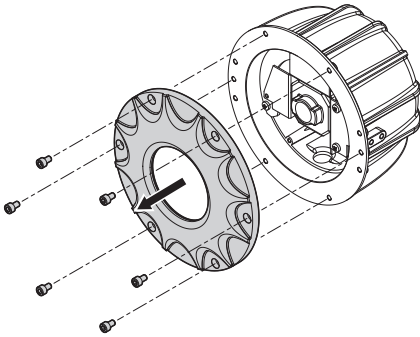


Fig. 18

6.4 Slide removal

Unscrew the 3 M4 screws to remove the slide. Before removing the slide, check that cables are not fastened with a clip.

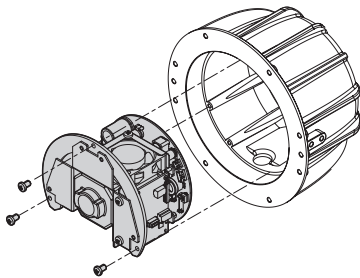


Fig. 19

6.5 Housing board description

BOARD DESCRIPTION	
Connector/ Terminal	Function
J1	Power supply line (24Vac/24Vdc)
J4	Heater
J5	Board test
J6	Blower
J7	Connection to the video encoder
J8	Ethernet, PoE+ power supply
F1	Fuse
SW1	Reset dip-switch

Tab. 5

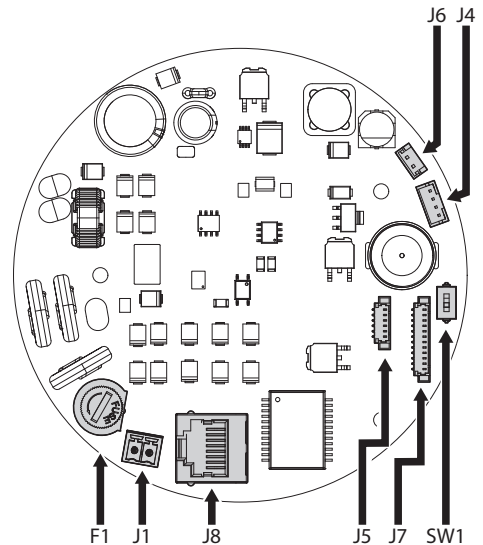


Fig. 20

6.6 Connecting the power supply

6.6.1 Connecting the power supply, 24Vac/24Vdc (version of the product not cabled)

⚠ Check that the power supply socket and cable are adequately dimensioned.

ⓘ The polarity of the voltage, applied to the power terminal, is irrelevant.

CONNECTING THE POWER SUPPLY		
Power supply 24Vac/24Vdc		
Colour	Terminals	Cable section
Defined by the installer	~/+	from 0.14mm ² (28AWG) up to 1.5mm ² (16AWG)
Defined by the installer	~/-	from 0.14mm ² (28AWG) up to 1.5mm ² (16AWG)

Tab. 6

CABLES SPECIFICATIONS		
Cable section	Supply voltage	Maximum cable length
1.5mm ² (16AWG)	24Vdc	20m (66ft)
	24Vac	40m (131ft)

Tab. 7

⚠ The power supply cable must be covered by the silicone sheath (01) supplied. The silicone sheath must be fastened with the corresponding cable tie (02).

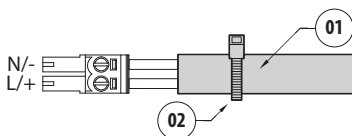


Fig. 21

The power supply cables should be connected to the power supply terminal of the housing board (J1, 6.5 Housing board description, page 18).

6.6.2 Connecting the power supply, PoE+ (version of the product not cabled)

The product can be powered using PoE+ (Power Over Ethernet) devices in compliance with the international standard for technological information IEEE 802.3at, using an Ethernet data cable Category 5E.

ⓘ Maximum Ethernet cable length (category 5E): 100m.

The PSE (Power-Supplying Equipment) devices suitable for the product power supply must comply with the standard IEEE 802.3at (PoE+).

The Ethernet cable should be connected to connector RJ45 of the housing board (J8, 6.5 Housing board description, page 18).

⚠ The Ethernet cable shield must always be earthed via the connector. Always use a shielded RJ45 connector.

Carry out the connections as described in the table (according to the standard specifications: TIA/EIA-568-B).

ETHERNET CABLE CONNECTION	
Pin number	Core colour
1	Orange-White
2	Orange
3	Green-White
4	Blue
5	Blue-White
6	Green
7	Brown-White
8	Brown

Tab. 8

6.6.3 Connecting the power supply, 24Vac/24Vdc (version of the product cabled)

Carry out the connections as described in the table.

CONNECTING THE POWER SUPPLY (24VAC/24VDC)		
Colour	Function	Cable section
Black 1	~/+	1.5mm ² (16AWG)
Black 2	~/-	1.5mm ² (16AWG)

Tab. 9

6.6.4 Connecting the power supply, PoE+ (version of the product cabled)

The product can be directly connected to an Ethernet switch equipped with a PoE+ (End-Span configuration) port or a classic Ethernet switch using a PoE Injector (Mid-Span configuration).

6.7 Ethernet cable connection



The Ethernet cable shield must always be earthed via the connector. Always use a shielded RJ45 connector.

Use Ethernet cables with the following characteristics:

- STP (shielded)
- Category 5E
- Cable minimum section: 0.22mm^2 (24AWG).

For further information refer to the relative chapter (6.6.2 Connecting the power supply, PoE+ (version of the product not cabled), page 19).

6.7.1 Connection of the Ethernet cable (cabled version of the product)

The product can be directly connected to an Ethernet switch.

The example below shows a typical installation.

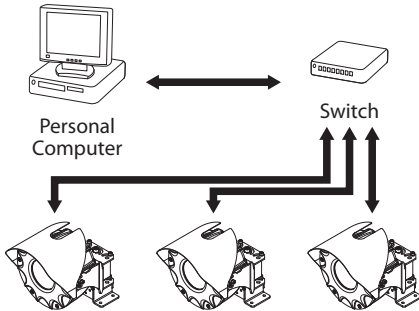


Fig. 22

6.8 Earthing equipotential connection

The equipotential connection must be carried out using an external cable with a minimum 4mm^2 section (11AWG).

Connect the cable for the earthing equipotential connection with the eyelet terminal supplied (suitable for cables with 4mm^2 (11AWG) up to 6mm^2 (9AWG) section).

Fasten the eyelet using the M5 screw and lock washer supplied.

Characteristics of the M5 screw:

- Material: A4
- Screw head: ISO 4762
- Length: 8mm (0.3in)
- Yield stress (min): 450N/mm^2



CAUTION! The external equipotential connections must be set up through the eyelet on the outside of the product. Do not use as a protective terminal.

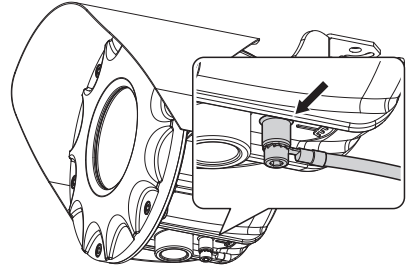


Fig. 23

6.9 Housing closure

⚠ Test system operation for positive results before closing the product and allowing the presence of a hazardous atmosphere.

⚠ During opening and closure operations of the product, pay attention not to damage the flameproof joint.

⚠ Before closing the front cover, check the O-ring gasket is intact. If the sealing is damaged replace it with the one supplied.

Verify that there is no dirt or debris.

Arrange the cables so that they do not hinder closing of the front cover. To avoid tearing of cables, there is a hole under the slide for a fastening clip.

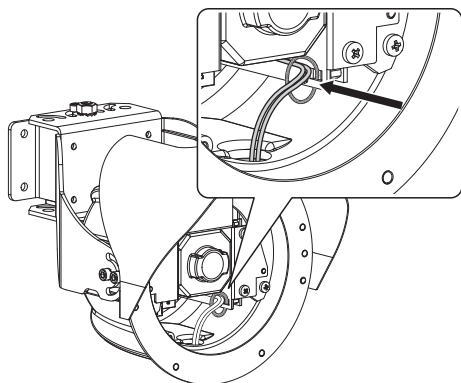


Fig. 24

Insert the front cover in the housing body, keeping the closure holes between the cover and the body aligned.

⚠ Be very careful not to damage the O-ring gasket.

Screw back the previously removed screws.

Screws properties

- Diameter/Screw pitch: M5x0.8
- Material: A4
- Screw head: ISO 4762
- Length: 8mm (0.3in)
- Yield stress (min): 450N/mm²

⚠ Pay attention to the fixing. Tightening torque: 9Nm (±0.5Nm).

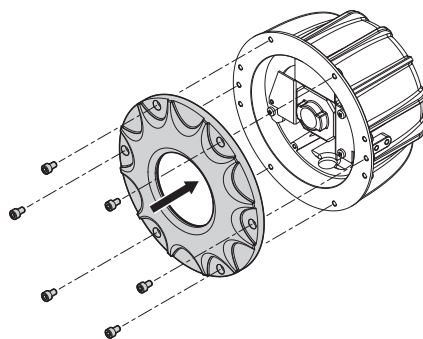


Fig. 25

7 Switching on



Ensure the unit and the other components of the system are appropriately closed to prevent contact with live parts.



Make sure that all parts are fastened down firmly and safely.



The automatic pre-heating (De-Ice) process could be started whenever the device is switched on and the ambient temperature is below -10°C (+14°F). The procedure is necessary to guarantee correct operation of the devices even at low temperatures. Pre-heating procedure length: 60 minutes.

The unit is switched on by connecting the power supply.

It takes a few minutes for the unit to become fully operational after it is switched on.

To switch off the unit disconnect the power.

8 Configuration

8.1 Default IP address



The unit is configured to obtain an IP address from a DHCP server.

The IP address acquired via DHCP is visible in the DHCP server log file.

If the DHCP server is not available, the unit automatically configures itself with a self-generated IP address in the 169.254.x.x/16 subnet. Configuring the IP address of the PC as belonging to the same subnet (example: IP address: 169.254.1.1, subnet mask: 255.255.0.0).

Use an ONVIF compliant VMS or a network sniffer to find the IP address of the device (IP scan utility).

8.2 Web interface

8.2.1 First access to the web pages

The first operation in configuring the device consists in connecting to the web interface.

To access the web interface of the product, simply use a browser to connect to address:
http://IP address.

On first access, the Home page will be displayed.

To configure the web interface, consult the manual relating to the firmware version installed, available on the product web page of the website www.videotec.com.

9 Maintenance

! Before carrying out any type of intervention, read the "Safety rules" chapter of this manual.

9.1 Routine maintenance

When contacting VIDEOTECH for assistance please provide the serial number and the identification code of the model.

9.1.1 Inspecting the cables

The cables should not show signs of damage or wear, which could generate hazardous situations. In this cases, cable maintenance must be carried out.

9.2 Extraordinary maintenance

9.2.1 Fuses replacement

! CAUTION! To ensure protection against the risk of fire, replace the fuse with one the same type and value. The fuse must only be replaced by qualified staff.

i To maintain cULus Listed certification, the fuse must be UL Listed (OMEGA GT520222, BUSSMAN S507).

The used fuse is described below.

FUSE REPLACEMENT	
Supply voltage	Fuse (F1)
24Vac, 50/60Hz	T 2A H 250V 5x20
24Vdc	

Tab. 10

As an alternative, use an fuse featuring the same characteristics.

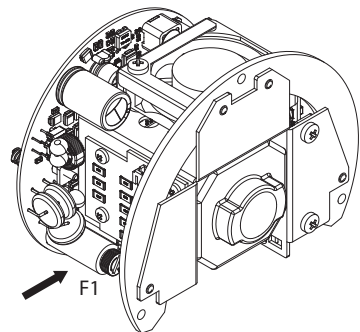


Fig. 26

9.2.2 Replacing the gasket

Replace the O-ring gasket of the product with the one supplied.

Open and close the cover as described in the chapters above.

Replace O-ring gasket paying attention to position it correctly.

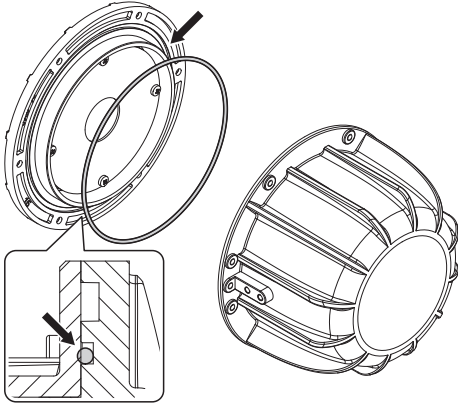


Fig. 27

9.2.3 Factory Default

It is possible to reset to the factory default settings.

The effect of the Factory Default procedure is the same as restoring the factory default settings through the web interface (Web Interface manual, Tools Page, Hard Reset button).

Follow the procedure below:

- Disconnect the power supply to the unit.
- Open the housing and remove the slide.
- Set the reset dip switch to ON (SW1, 6.5 Housing board description, page 18).
- Re-insert the slide and close the housing.
- Power the unit. Wait for 2 minutes.
- Disconnect the power supply to the unit.
- Open the housing and remove the slide.
- Set the reset dip switch to OFF (SW1, 6.5 Housing board description, page 18).
- Re-insert the slide and close the housing.
- Power the unit.



Once the factory default procedure has finished, you need to configure the unit as described in chapter (8.1 Default IP address, page 22).

10 Cleaning



Before carrying out any type of intervention, read the "Safety rules" chapter of this manual.



Frequency will depend on the type of environment in which the product is used.

10.1 Cleaning the glass window

Cleaning should be done with mild soap diluted with water.

10.2 Cleaning the product



The outside surface of the product must never be covered in more than 5 mm of dust.



The cleaning of the product should be carried out according to the instructions in this chapter in order to prevent accumulation of electrostatic charges.

The device should be cleaned using a damp cloth; compressed air must not be used.

11 Information on disposal and recycling

The European Directive 2012/19/EU on Waste Electrical and Electronic Equipment (WEEE) mandates that these devices should not be disposed of in the normal flow of municipal solid waste, but they should be collected separately in order to optimize the recovery stream and recycling of the materials that they contain and to reduce the impact on human health and the environment due to the presence of potentially hazardous substances.



The symbol of the crossed out bin is marked on all products to remember this.

The waste may be delivered to appropriate collection centers, or may be delivered free of charge to the distributor where you purchased the equipment at the time of purchase of a new equivalent or without obligation to a new purchase for equipment with size smaller than 25cm (9.8in).

For more information on proper disposal of these devices, you can contact the responsible public service.

12 Troubleshooting



Before carrying out any type of intervention, read the "Safety rules" chapter of this manual.



Contact an authorised support centre if the problems persist or you have any other issues that are not described here.

PROBLEM	The product does not go on.
CAUSE	Wrong cabling, broken fuse.
SOLUTION	Make sure the connections are correct. Check continuity of the fuse and, if faulty, replace it with the indicated model.

PROBLEM	Video streaming is not visible.
CAUSE	Incorrect IP address settings.
SOLUTION	Check the device IP address and the configuration of the computer network card.
CAUSE	Automatic preheating procedure (De-Ice) in progress.
SOLUTION	Wait until the end of the pre-heating procedure. If the ambient temperature is too low the unit will remain blocked.

13 Technical data

13.1 Mechanical

AISI 316L stainless steel construction

External shot peened and electro-polished surfaces

Sunshield

Supports for wall, ceiling or parapet installation

Unit weight:

- 6.5kg (14.3lb) (housing only + mounting bracket)
- 8.5kg (18.7lb) (housing with 4m (13ft) armoured multipolar cable)

13.2 Cable glands

Cable entry: 1 hole, 1/2" NPT

Cable gland Ex d 1/2"NPT (with pre-installed cable only)

13.3 Housing's window

Material: Tempered glass

Usable diameter: 73.5mm (2.9in)

13.4 Electrical

Supply voltage/Current consumption

- 24Vac $\pm 10\%$, 1.32A, 50/60Hz
- 24Vdc $\pm 5\%$, 0.9A
- PoE+ (IEEE 802.3at)

Power consumption:

- 21W (24Vac, 1.32A, 50/60Hz)
- 20W (24Vdc, 0.9A)
- 21W (PoE+)

Armoured cable

- External diameter: 16.8mm (0.66in) ± 0.4 mm (0.016in)
- Diameter under armature: 12.4mm (0.5in) ± 0.3 mm (0.012in)
- Colour: black RAL 9005

Armoured cable composition:

- 3x1.5mm² (15AWG)
- 4x2x0.22mm² (24AWG) (cat. 5E F/STP)

13.5 Network

Ethernet connection: 100 Base-TX

Connector: RJ45

13.6 Cameras

Day/Night Full HD 10x

Resolution: Full HD 1080p (1920x1080pixel)

Signal system: 1080p/60fps max

Image Sensor: 1/3" CMOS sensor

Effective pixels: 2.48Megapixel

Minimum Illumination, colour (ICR-OFF):

- 0.5lx IRE 50%
- 0.125lx IRE 50% (Slow Shutter)

Minimum Illumination, B/W (ICR-ON):

- 0.1lx IRE 50%
- 0.025lx IRE 50% (Slow Shutter)

Lens:

- From f= 5.1mm (wide) up to 51mm (tele)
- From F1.6 up to F1.8

Zoom: 10x (320x, with digital zoom)

Horizontal Viewing Angle: from 54° (wide) up to 4.9° (tele)

Minimum object distance: from 100mm (3.9in) (wide) up to 1000mm (39.4in) (tele)

Shutter speed: from 1/8s up to 1/30000s, 14 steps

White balance: Auto, Indoor, Outdoor, Manual

Wide Dynamic Range: On/Off, Light level

Exposure Control: Auto, Manual, Shutter priority, Iris priority, Brightness

S/N Ratio: 50dB

De-fog: Off, Auto, Manual

Privacy zones masking: maximum 8 settable masks

Backlight Compensation

Digital image stabilization: On/Off

Day/Night Full HD 3x

Resolution: Full HD 1080p (1920x1080pixel)

Signal system: 1080p/30fps max

Image Sensor: 1/2" type Exmor™ CMOS sensor

Effective pixels: 2.17Megapixel

Minimum Illumination, colour (ICR-OFF):

- 0.15lx, (1/30s)
- 0.0375lx, (1/7.5s), (Slow Shutter)

Minimum Illumination, B/W (ICR-ON):

- 0.1lx, (1/30s)
- 0.002lx, (1/7.5s), (Slow Shutter)

Lens:

- From f= 3.6mm (wide) up to 10mm (tele)
- From F1.5 up to F2.7

Zoom: 3x (96x with digital zoom)

Horizontal Viewing Angle: From 88.4° (wide) up to 40.7° (tele)

Minimum object distance: 1000mm (39.4in) (wide to tele)

Shutter speed: From 1/8s up to 1/30000s, 14 steps

White balance: Auto, Indoor, Outdoor, Manual

Wide Dynamic Range: On/Off

Exposure Control: Auto, Manual, Iris priority, Shutter priority, Brightness

S/N Ratio: 50dB

De-fog: On/Off, Auto, Manual

Privacy zones masking: maximum 8 settable masks

Backlight Compensation

Digital image stabilization: On/Off

13.7 Environment

For indoors and outdoors installation

Certification temperature: from -40°C (-40°F) up to +65°C (149°F) (T6/T85°C) or +70°C (158°F) (T5/T100°C)

Operating temperature:

- Continuous functioning: from -40°C (-40°F) up to +65°C (149°F)
- Temperature test complies with NEMA-TS 2-2003 (R2008) par. 2.1.5.1, test profile fig. 2-1 (from -34°C (-29.2°F) to +74°C (165.2°F)) (only for models with Day/Night camera 10X zoom, FullHD)
- De-icing function intervention (cold start): from -40°C (-40°F) up to -10°C (14°F)

Relative humidity: from 5% up to 95%

13.8 Certifications

Electrical safety (CE): EN60950-1, IEC60950-1, EN62368-1, IEC62368-1

Electromagnetic compatibility (CE): EN61000-6-4, EN61000-3-2, EN61000-3-3, EN50130-4, EN55032 (Class A)

RoHS (CE): EN IEC 63000

Outdoor installation (CE): EN60950-22, IEC60950-22

IP protection degree (EN/IEC60529): IP66, IP67, IP68 (2 hours, 5m (16ft)), IP69

Vibration test: EN50130-5, EN60068-2-6

UL certification (UL60950-1, CAN/CSA C22.2 No. 60950-1-07, UL62368-1 CAN/CSA C22.2 No. 62368-1-14): cULus Listed

Electromagnetic compatibility (North America): FCC part 15 (Class A), ICES-003 (Class A)

Level of protection Type (UL50E): 4X, 6P

BIS certification: IS 13252 (PART 1)/IEC60950-1 (certification only valid for the code: MMX2D0ZA)

KC certification (certification only valid for the code: MMX2COZJ)

RCM (Australian and New Zealand Regulatory Compliance Mark)

NDA-compliant

13.9 Certifications - Explosion-proof applications

ATEX (EN IEC 60079-0, EN 60079-1, EN 60079-31)

IECEX (IEC 60079-0, IEC 60079-1, IEC 60079-31)

EAC EX (TR CU 012/2011)

INMETRO (ABNT NBR IEC 60079-0, ABNT NBR IEC 60079-1, ABNT NBR IEC 60079-31)

KCs (Employment and labor department 2021-22)

UL listed for USA (UL 60079-0, UL 60079-1, UL 60079-31)

UL listed for Canada (CAN/CSA-C22.2 NO. 60079-0, CAN/CSA-C22.2 NO. 60079-1, CAN/CSA-C22.2 NO. 60079-31)

UK Ex (EN IEC 60079-0, EN 60079-1, EN 60079-31)

13.10 Certifications - Marine applications

Lloyd's Register Marine Type Approval certification (only for models with Day/Night camera 10X zoom, FullHD):

- Test Specification Number 1 (ENV1, ENV2, ENV3, ENV5)

Electromagnetic compatibility: EN60945

Salty fog resistance: EN60068-2-52

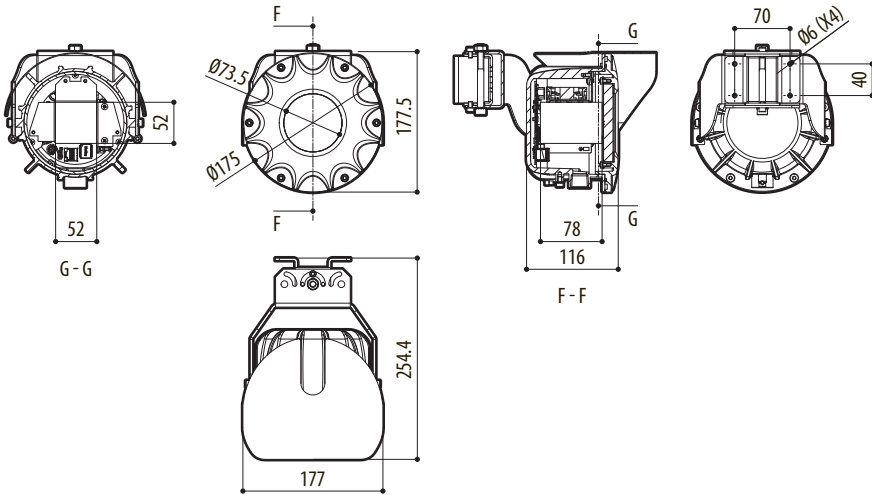
Tested at 70°C (158°F) for 16 hours in compliance with EN60068-2-2

14 Technical drawings



The indicated measurements are expressed in millimetres.

WALL MOUNTING



PARAPET OR CEILING MOUNTING

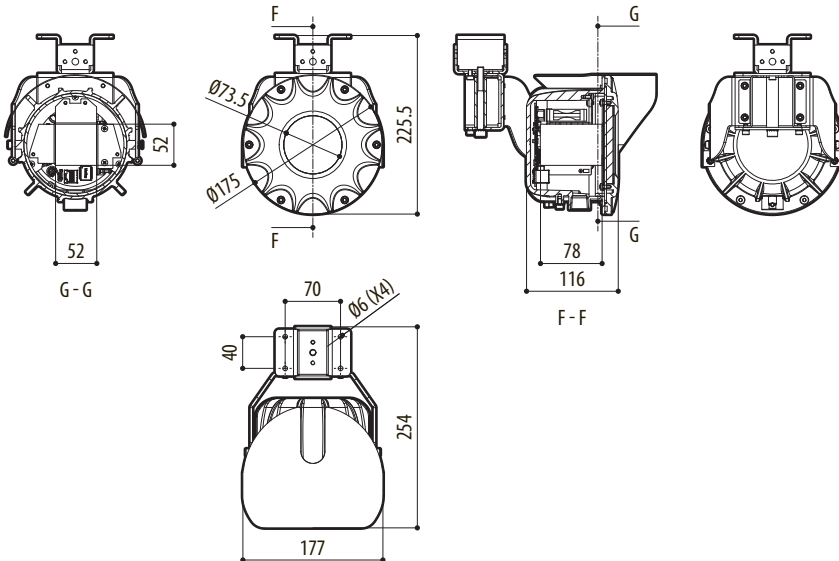


Fig. 28 MAXIMUS MMX.



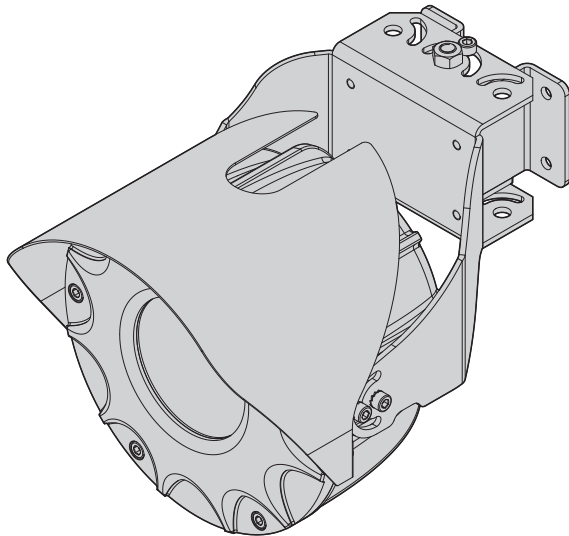
Headquarters Italy VIDEOTEC s.r.l.
Via Friuli, 6 - I-36015 Schio (VI) - Italy
Tel. +39 0445 697411 - Fax +39 0445 697414
Email: info@videotec.com
www.videotec.com

MNVCMMX_2223_EN



MAXIMUS MMX

Telecamera FULL HD flameproof dal design compatto



Sommario

1 Informazioni sul presente manuale.....	5
1.1 Convenzioni tipografiche	5
2 Note sul copyright e informazioni sui marchi commerciali	5
3 Norme di sicurezza	5
4 Descrizione e designazione del prodotto	8
4.1 Panoramica del prodotto	8
4.2 <u>Campo di utilizzo</u>	<u>9</u>
4.3 <u>Condizioni specifiche d'utilizzo</u>	<u>9</u>
4.4 <u>Gruppi Gas, Gruppo Polveri e Temperature</u>	<u>9</u>
4.5 <u>Ingresso cavi</u>	<u>9</u>
4.6 <u>Etichetta di marcatura del prodotto</u>	<u>10</u>
4.7 Solo per riferimento UL/CSA standard.....	11
Importanti istruzioni per la sicurezza	11
Etichetta di marcatura	11
Conessioni.....	12
Riferimenti normativi	12
4.8 Identificazione del modello	13
5 Preparazione del prodotto per l'utilizzo.....	14
5.1 Disimballaggio	14
5.2 Contenuto.....	14
5.3 Smaltimento in sicurezza dei materiali di imballaggio.....	14
6 Installazione	14
6.1 Opzioni di installazione.....	15
6.1.1 Fissaggio a parapetto o a soffitto	16
6.1.2 Fissaggio a parete.....	17
6.2 Fissaggio del tettuccio.....	17
6.3 <u>Apertura della custodia</u>	<u>18</u>
6.4 Rimozione della slitta	18
6.5 Descrizione della scheda della custodia	18
6.6 Collegamento della linea di alimentazione	19
6.6.1 Collegamento della linea di alimentazione, 24Vac/24Vdc (versione del prodotto non cablata).....	19
6.6.2 Collegamento della linea di alimentazione, PoE+ (versione del prodotto non cablata)	19
6.6.3 Collegamento della linea di alimentazione, 24Vac/24Vdc (versione del prodotto cablata).....	19
6.6.4 Collegamento della linea di alimentazione, PoE+ (versione del prodotto cablata)	19
6.7 Collegamento del cavo Ethernet.....	20
6.7.1 Collegamento del cavo di rete Ethernet (versione cablata del prodotto)	20
6.8 <u>Collegamento equipotenziale di terra</u>	<u>20</u>
6.9 <u>Chiusura della custodia.....</u>	<u>21</u>
7 Accensione	22
8 Configurazione	22
8.1 Indirizzo IP di default	22

8.2	Interfaccia web.....	22
8.2.1	Primo accesso alle pagine web.....	22
9	Manutenzione	23
9.1	Manutenzione ordinaria	23
9.1.1	Controllo dei cavi	23
9.2	Manutenzione straordinaria	23
9.2.1	Sostituzione dei fusibili.....	23
9.2.2	Sostituzione della guarnizione.....	24
9.2.3	Factory Default	24
10	Pulizia	25
10.1	Pulizia della finestra in vetro.....	25
10.2	Pulizia del prodotto	25
11	Informazioni sullo smaltimento e il riciclo.....	25
12	Risoluzione dei problemi.....	26
13	Dati tecnici	26
13.1	Meccanica	26
13.2	Pressacavi.....	26
13.3	Finestre per custodia	26
13.4	Elettrico.....	26
13.5	Rete	26
13.6	Telecamere	27
13.7	Ambiente	28
13.8	Certificazioni.....	28
13.9	Certificazioni - Applicazioni antideflagranti	28
13.10	Certificazioni - Applicazioni marine	28
14	Disegni tecnici	29

1 Informazioni sul presente manuale

Prima di installare e utilizzare questo prodotto leggere attentamente tutta la documentazione fornita. Tenere il manuale a portata di mano per consultazioni successive.

1.1 Convenzioni tipografiche



PERICOLO!
Pericolo di esplosione.
Leggere attentamente per evitare pericoli di esplosione.



PERICOLO!
Pericolosità elevata.
Rischio di scosse elettriche. Prima di eseguire qualsiasi operazione assicurarsi di togliere tensione al prodotto, salvo diversa indicazione.



ATTENZIONE!
Pericolosità media.
L'operazione è molto importante per il corretto funzionamento del sistema.
Si prega di leggere attentamente la procedura indicata e di eseguirla secondo le modalità previste.



INFO
Descrizione delle caratteristiche del sistema.
Si consiglia di leggere attentamente per comprendere le fasi successive.

Titoli sottolineati
Le informazioni sono vincolate dalle certificazioni.

2 Note sul copyright e informazioni sui marchi commerciali

I nomi di prodotto o di aziende citati sono marchi commerciali o marchi commerciali registrati appartenenti alle rispettive società.

ONVIF® è un marchio di proprietà di Onvif, Inc.

3 Norme di sicurezza



PERICOLO!
Pericolo di esplosione.
Leggere attentamente per evitare pericoli di esplosione.

- L'installazione e la manutenzione dell'apparecchio deve essere eseguita da personale tecnico specializzato in conformità alla norma di riferimento applicabile EN/IEC 60079-14, EN/IEC 60079-17 e agli standard nazionali.
- Non aprire il dispositivo se alimentato e in presenza di atmosfera esplosiva.
- Eseguire l'installazione utilizzando utensili adeguati. Il luogo in cui il dispositivo viene installato può tuttavia rendere necessario l'utilizzo di utensili specifici.
- Effettuare tutti i collegamenti, gli interventi di installazione e manutenzione in atmosfera non esplosiva.
- Il collegamento equipotenziale è mandatorio per evitare il rischio di innesco per prodotti installati in ambienti potenzialmente esplosivi.
- Prima di alimentare il prodotto in atmosfera esplosiva, assicurarsi che sia chiuso correttamente.
- La temperatura delle superfici dell'apparecchio aumenta in caso di esposizione diretta alla luce solare. La classe della temperatura superficiale dell'apparecchio è stata calcolata solo a temperatura ambiente, senza tenere conto dell'esposizione diretta alla luce solare.
- Accertarsi che tutti gli apparecchi siano omologati per l'utilizzo nell'ambiente nel quale saranno installati.
- Qualsiasi intervento non espressamente approvato dal costruttore fa decadere la garanzia.

**PERICOLO!****Pericolarità elevata.****Rischio di scosse elettriche. Prima di eseguire qualsiasi operazione assicurarsi di togliere tensione al prodotto, salvo diversa indicazione.**

- Eseguire l'installazione e la manutenzione in assenza di alimentazione e con il dispositivo di sezionamento aperto.
- L'impianto elettrico deve essere dotato di un sezionatore di rete prontamente riconoscibile e utilizzabile in caso di necessità.
- L'impianto elettrico al quale è collegata l'unità deve essere dotato di un interruttore di protezione bipolare automatico da 10A max. La distanza minima tra i contatti dell'interruttore di protezione deve essere di 3mm. L'interruttore deve essere provvisto di protezione contro la sovracorrente (magnetotermico).
- L'apparecchio si considera disattivato soltanto quando l'alimentazione è disinserita e i cavi di collegamento con altri dispositivi sono stati rimossi.
- Non utilizzare cavi con segni di usura o invecchiamento.
- Tutti i cavi devono essere conformi alla IEC60332-1-2, IEC 60332-1-3 e IEC/EN60079-14.
- All'atto dell'installazione controllare che le caratteristiche di alimentazione fornite dall'impianto corrispondano a quelle richieste dal dispositivo.
- Per assicurare la protezione contro il rischio di incendio, sostituire i fusibili con lo stesso tipo e valore. I fusibili devono essere sostituiti solo da personale qualificato.
- L'apparecchiatura non è adatta per l'uso in luoghi dov'è probabile la presenza di bambini.

**ATTENZIONE!****Pericolarità media.****L'operazione è molto importante per il corretto funzionamento del sistema. Si prega di leggere attentamente la procedura indicata e di eseguirla secondo le modalità previste.**

- Assicurarsi che l'installazione sia conforme alle norme locali.
- Effettuare i collegamenti e prove in laboratorio prima dell'installazione nel sito.
- Verificare che la sorgente e il cavo di alimentazione siano adeguatamente dimensionati.
- Utilizzare cavi idonei a sopportare le temperature di funzionamento.
- Tutti i cavi scollegati devono essere isolati elettricamente.
- Il prodotto può essere installato in qualsiasi posizione.
- Prima di fornire alimentazione assicurarsi che l'apparecchio sia saldamente ancorato.
- Il costruttore declina ogni responsabilità per eventuali danni, su tutte le apparecchiature menzionate in questo manuale, derivanti da manomissione, utilizzo di ricambi non originali, installazione, manutenzione e riparazione eseguiti da personale non qualificato.
- Usare solamente ricambi originali VIDEOTEC. Seguire scrupolosamente le istruzioni di manutenzione allegate ad ogni kit di ricambio.
- Per interventi di assistenza tecnica rivolgersi esclusivamente a personale tecnico autorizzato.
- La riparazione di questo prodotto deve essere eseguita da personale adeguatamente addestrato o con la supervisione del personale VIDEOTEC in conformità alle norme previste: IEC/EN60079-19.
- L'installazione è di tipo TNV-1. Non collegare a circuiti SELV.
- Maneggiare con attenzione il prodotto per evitare contatti accidentali, spigoli e angoli taglienti.

**INFO****Descrizione delle caratteristiche del sistema.****Si consiglia di leggere attentamente per comprendere le fasi successive.**

- Prima di procedere con l'installazione, controllare che il materiale fornito corrisponda alle specifiche richieste esaminando le etichette di marcatura.
- L'apparecchio è destinato all'installazione in un'Area ad Accesso Limitato effettuata da personale tecnico specializzato.
- Il produttore declina ogni responsabilità per eventuali danni derivanti da un uso improprio delle apparecchiature menzionate in questo manuale. Si riserva inoltre il diritto di modificarne il contenuto senza preavviso. Ogni cura è stata posta nella raccolta e nella verifica della documentazione contenuta in questo manuale. Il produttore, tuttavia, non può assumersi alcuna responsabilità derivante dall'utilizzo della stessa. Lo stesso dicasi per ogni persona o società coinvolta nella creazione e nella produzione di questo manuale.
- Dato che la responsabilità della scelta della superficie di ancoraggio dell'unità ricade sull'utente, il produttore non fornisce in dotazione i dispositivi di fissaggio per l'ancoraggio dell'unità alla superficie. L'installatore è responsabile della scelta di dispositivi idonei alla superficie a sua disposizione. Si raccomanda l'utilizzo di metodi e materiali in grado di sopportare un peso almeno 4 volte superiore a quello dell'apparecchio.
- Per qualunque intervento di manutenzione, si consiglia di riportare in laboratorio il prodotto per effettuare le operazioni necessarie.
- Questo è un prodotto di Classe A. In un ambiente residenziale questo prodotto può provocare radiodisturbi. In questo caso può essere richiesto all'utilizzatore di prendere misure adeguate.
- Per essere conforme ai requisiti della normativa sugli abbassamenti e le brevi interruzioni della tensione di alimentazione, utilizzare un adeguato gruppo di continuità (UPS) per alimentare l'unità.
- Il dispositivo deve essere alimentato da una sorgente PS2
- Per alimentare il prodotto utilizzare un trasformatore di sicurezza e/o un alimentatore a tensione continua isolato di caratteristiche adeguate. Le caratteristiche di alimentazione in uscita non devono superare i valori indicati di seguito. Tensione di alimentazione: 24Vac ($\pm 10\%$) oppure 24Vdc ($\pm 5\%$).
- In caso di alimentazione in 24Vac, deve essere predisposta un'adeguata separazione dalla linea di alimentazione AC, fornendo un isolamento doppio o rinforzato tra la linea di alimentazione principale e il circuito secondario.

4 Descrizione e designazione del prodotto

La custodia flameproof MMX è stata progettata per installazioni in ambienti potenzialmente esplosivi costruita in acciaio inox AISI 316L, pallinato ed elettrolucidato. È possibile alimentare la custodia in 24Vac, 24Vdc oppure tramite cavo Ethernet (PoE+). La custodia è equipaggiata con un ingresso 1/2" NPT. La custodia MMX ha un grado di protezione IP66/IP68/IP69 ed è installabile, a seconda della classe, in un ambiente con temperature che variano tra i -40°C fino a +70°C.

4.1 Panoramica del prodotto

Di seguito vengono illustrate le componenti principali del prodotto.

01. Supporto di fissaggio.
02. Supporto di rinforzo.
03. Supporto della custodia.
04. Distanziale.
05. Vite M8x80.
06. Tettuccio.
07. Custodia.

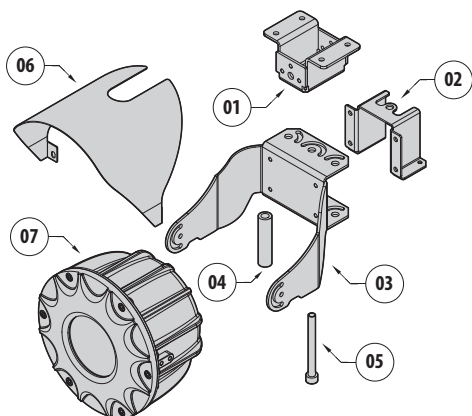


Fig. 1

4.2 Campo di utilizzo

L'impiego dell'unità è definito per l'utilizzo in postazione fissa per la sorveglianza di zone con atmosfera potenzialmente esplosiva classificate 1-21 o 2-22.

L'unità è costruita e certificata in accordo con la direttiva 2014/34/UE e gli standard internazionali IECEx che ne definiscono il campo di applicazione e i requisiti minimi di sicurezza.

4.3 Condizioni specifiche d'utilizzo

La superficie esterna del prodotto non deve mai essere ricoperta da più di 5 mm di polvere.

Per evitare l'accumulo di cariche elettrostatiche durante la pulizia, il dispositivo deve essere pulito utilizzando un panno umido.

Le telecamere da installare non devono essere elettromagnetiche o contenere laser, fonti di onde continue o attrezzature irradianti energia a ultrasuoni.

Le telecamere installabili non devono contenere pile o batterie.

Le telecamere devono essere di forme geometriche basilari.

Temperatura ambiente e temperatura della superficie - vedere le istruzioni.

Contattare il produttore per informazioni sulle dimensioni del giunto flameproof.

4.4 Gruppi Gas, Gruppo Polveri e Temperature

Il dispositivo è certificato per il gruppo IIB (Gas) e il gruppo IIIC (polveri).

Temperatura ambiente: -40°C/+65°C oppure +70°C.

CLASSE DI TEMPERATURA	TEMPERATURA AMBIENTE MASSIMA
T6 / T85°C	+65°C
T5 / T100°C	+70°C

Tab. 1

4.5 Ingresso cavi

Tutti i pressacavi devono essere certificati Ex in maniera appropriata, con tipo di protezione a prova di esplosione "db" e "tb", adatti per le condizioni di utilizzo e installati correttamente.

Quando viene utilizzato il conduit, deve essere utilizzato un raccordo di bloccaggio certificato Ex in maniera appropriata, con tipo di protezione a prova di esplosione "db" e "tb", adatto per le condizioni di utilizzo e installato correttamente.

Il raccordo di bloccaggio deve essere posto entro 50mm (1.97in) dal dispositivo.

Le temperature di ingresso cavi sono specificate nella marcatura.

Per mantenere il grado IP del prodotto usare pressacavi con adeguato grado di protezione ed applicare ai filetti un sigillante conforme alla IEC/ EN60079-14.

4.6 Etichetta di marcatura del prodotto

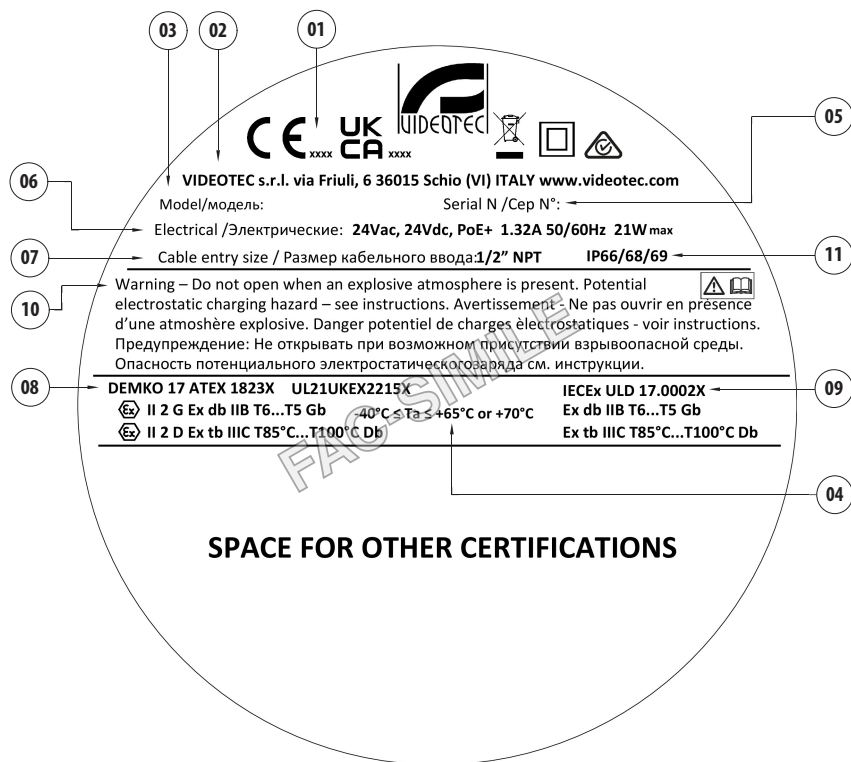


Fig. 2

1. Numero dell'organismo accreditato che fornisce la valutazione della qualità.
2. Nome e indirizzo del costruttore.
3. Modello.
4. Temperatura ambiente di utilizzo.
5. Il numero di serie è composto da 12 caratteri numerici, la seconda e la terza cifra definiscono gli ultimi due numeri dell'anno di produzione.
6. Caratteristiche elettriche (tensione V, frequenza Hz, corrente A, potenza W).
7. Tipo, dimensione e numero ingressi cavo
8. Marcatura ATEX. La Classe di temperatura dipende dall'elettronica installata all'interno e dalla temperatura ambiente.
9. Marcatura IECEx. La Classe di temperatura dipende dall'elettronica installata all'interno e dalla temperatura ambiente.
10. Avvertenze.
11. Grado di protezione IP.

4.7 Solo per riferimento UL/CSA standard



I giunti flameproof non devono essere riparati.



Negli Stati Uniti il National Electrical Code (NEC) e in Canada il Canadian Electrical Code (CEC) si applicano alle apparecchiature elettriche utilizzate in ambienti industriali pericolosi. Questi Codes contengono i requisiti per l'installazione di impianti elettrici in tutte le aree e fanno riferimento a una serie di ulteriori standard di altre istituzioni con specifiche per la costruzione e l'installazione di attrezzature adeguate.

Importanti istruzioni per la sicurezza

WARNING: A SEAL SHALL BE INSTALLED WITHIN 50 mm OF THE ENCLOSURE.

AVERTISSEMENT: UN SCHEMMENT DOIT ÊTRE INSTALLÉ À MOINS DE 50 mm DU BOÎTIER.

WARNING: "CABLE ENTRY AND BRANCHING POINT IS 83.2°C AT +65°C AMBIENT AND 88.2°C AT +70°C AMBIENT. USE SUITABLE CABLE AND CABLE GLANDS".

AVERTISSEMENT: LA TEMPÉRATURE DE L'ENTRÉE DE CÂBLE ET DU POINT DE BRANCHEMENT EST DE 83.2°C JUSQU'À + 65°C AMBIANT ET DE 88.2°C JUSQU'À + 70°C AMBIANT. UTILISEZ LE CÂBLE ET LES PRESSE-ÉTOUPES APPROPRIÉS.

WARNING: DO NOT OPEN WHEN EXPLOSIVE ATMOSPHERE IS PRESENT.

AVERTISSEMENT - NE PAS OUVRIR EN PRÉSENCE D'UNE ATMOSPHÈRE EXPLOSIVE

WARNING: POTENTIAL ELECTROSTATIC CHARGING HAZARD – SEE INSTRUCTIONS.

AVERTISSEMENT - DANGER POTENTIEL DE CHARGES ÉLECTROSTATIQUES - VOIR INSTRUCTIONS

Etichetta di marcatura



Fig. 3

NEMA Types: TYPE 4X, TYPE 6P

Conessioni



La scelta della connessione deve essere conforme alle norme locali vigenti.

Pressacavi: selezionare un pressacavo conforme a UL2225 con la seguente protezione AEx d IIC e C22.2 con la seguente protezione Ex d IIC in conformità alla marcatura del prodotto.

Conduit: è necessario installare un dispositivo di tenuta entro i 50mm dall'ingresso del prodotto quando viene utilizzato il conduit.

Riferimenti normativi

UL 60950-1, 2nd Edition, 2019-05-09 (Information Technology Equipment - Safety - Part 1: General Requirements)

CAN/CSA C22.2 No. 60950-1-07, 2nd Edition, 2014-10 (Information Technology Equipment - Safety - Part 1: General Requirements)

UL 62368-1, 2nd Ed, 2014-12-01 (Audio/video, information and communication technology equipment Part 1: Safety requirements)

CAN/CSA C22.2 No. 62368-1-14, 2nd Ed, Issued: 2014-12-01 (Audio/video, information and communication technology equipment Part 1: Safety requirements)

UL 60079-0, 7th Edition, Explosive atmospheres - Part 0: Equipment - General requirements

UL 60079-1, 7th Edition, Explosive Atmospheres - Part 1: Equipment Protection by Flameproof Enclosures "d"

UL 60079-31, 2nd Edition, Explosive Atmospheres - Part 31: Equipment Dust Ignition Protection by Enclosure "t"

CSA C22.2 No. 60079-0:19, Explosive atmospheres - Part 0: Equipment - General requirements

CSA C22.2 No. 60079-1:16, Explosive Atmospheres - Part 1: Equipment Protection by Flameproof Enclosures "d"

CSA C22.2 No. 60079-31:15, Explosive Atmospheres - Part 31: Equipment Dust Ignition Protection by Enclosure "t"

4.8 Identificazione del modello

MAXIMUS MMX - OPZIONI DI CONFIGURAZIONE					
	Voltaggio	Telecamera	Conessioni	Uscita Video	Profili ONVIF
MMX	2 24Vdc/ 24Vac, PoE+	4 Telecamera Day/Night 3X zoom, FullHD	0 Senza cavo, senza pressacavo	Z IP	A Conforme ONVIF, Profilo Q, Profilo S e Profilo T
		D Telecamera Day/Night 10X zoom, FullHD	A Pressacavo Ex d 1/2" NPT e cavo armato da 4m		J Conforme ONVIF, Profilo S e Profilo T
			B Pressacavo Ex d 1/2" NPT e cavo armato da 10m		

Tab. 2

MAXIMUS MMX - CERTIFICAZIONI E MARCATURE (CON CAVO)			
Certificazione	Marchatura	Temperatura ambiente	Temperatura ingresso cavo
ATEX	Ⓜ II 2 G Ex db IIB T6...T5 Gb Ⓜ II 2 D Ex tb IIIC T85°C...T100°C Db	-40°C ≤ Ta ≤ +65°C or +70°C	+83.2°C con Ta ≤ +65°C +88.2°C con Ta ≤ +70°C
IECEX	Ex db IIB T6...T5 Gb Ex tb IIIC T85°C...T100°C Db		
EAC Ex	1Ex db IIB T6...T5 Gb X Ex tb IIIC T85°C...T100°C Db X		
INMETRO	Ex db IIB T6...T5 Gb Ex tb IIIC T85°C...T100°C Db		
UK Ex	Ⓜ II 2 G Ex db IIB T6...T5 Gb Ⓜ II 2 D Ex tb IIIC T85°C...T100°C Db		

Tab. 3

MAXIMUS MMX - CERTIFICAZIONI E MARCATURE (SENZA CAVO)			
Certificazione	Marchatura	Temperatura ambiente	Temperatura ingresso cavo
ATEX	Ⓜ II 2 G Ex db IIB T6...T5 Gb Ⓜ II 2 D Ex tb IIIC T85°C...T100°C Db	-40°C ≤ Ta ≤ +65°C or +70°C	+83.2°C con Ta ≤ +65°C +88.2°C con Ta ≤ +70°C
IECEX	Ex db IIB T6...T5 Gb Ex tb IIIC T85°C...T100°C Db		
EAC Ex	1Ex db IIB T6...T5 Gb X Ex tb IIIC T85°C...T100°C Db X		
KCs	Ex db IIB T6...T5 Gb Ex tb IIIC T85°C...T100°C Db		
INMETRO	Ex db IIB T6...T5 Gb Ex tb IIIC T85°C...T100°C Db		
Hazardous Location America	Class I, Zone 1, AEx db IIB T6...T5 Gb Zone 21, AEx tb IIIC T85°C...T100°C Db Class I, Div 2 Group C, D T6...T5 Class II, Div 2, Group F and G T6...T5		
Hazardous Location Canada	Ex db IIB T6...T5 Gb X Ex tb IIIC T85°C...T100°C Db X Class I, Div 2 Group C, D T6...T5 Class II, Div 2, Group F and G T6...T5		
UK Ex	Ⓜ II 2 G Ex db IIB T6...T5 Gb Ⓜ II 2 D Ex tb IIIC T85°C...T100°C Db		

Tab. 4

5 Preparazione del prodotto per l'utilizzo



Prima di effettuare qualsiasi tipo di intervento leggere attentamente il capitolo "Norme di sicurezza" del presente manuale.

5.1 Disimballaggio

Alla consegna del prodotto verificare che l'imballo sia integro e non presenti segni evidenti di cadute o abrasioni.

In caso di danni evidenti all'imballo contattare immediatamente il fornitore.

In caso di restituzione del prodotto malfunzionante è consigliato l'utilizzo dell'imballo originale per il trasporto.

Conservare l'imballo qualora fosse necessario inviare il prodotto in riparazione.

5.2 Contenuto

Controllare che il contenuto sia corrispondente alla lista del materiale sotto elencato:

- Custodia flameproof
- Kit di ricambio della guarnizione O-ring
- Kit del supporto
- Manuale di istruzioni

5.3 Smaltimento in sicurezza dei materiali di imballaggio

I materiali d'imballo sono costituiti interamente da materiale riciclabile. Sarà cura del tecnico installatore smaltirli secondo le modalità di raccolta differenziata o comunque secondo le norme vigenti nel Paese di utilizzo.


6 Installazione



Prima di effettuare qualsiasi tipo di intervento leggere attentamente il capitolo "Norme di sicurezza" del presente manuale.

Si raccomanda di utilizzare esclusivamente staffe e accessori approvati per l'installazione.

6.1 Opzioni di installazione

 **L'asse della vite M8 deve essere sempre in posizione verticale.**

Le staffe in dotazione permettono di installare il prodotto nelle posizioni illustrate di seguito.

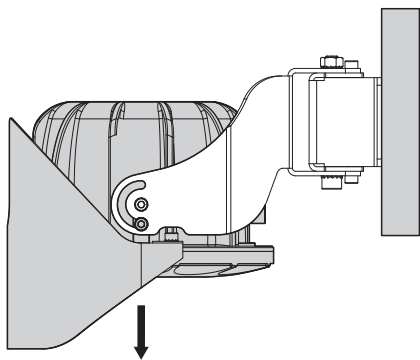


Fig. 4 Esempio di installazione a parete, rotazione verticale, -90° .

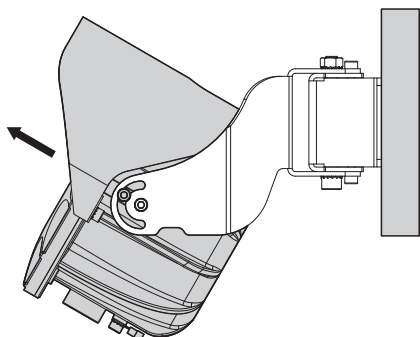


Fig. 5 Esempio di installazione a parete, rotazione verticale, $+30^\circ$.

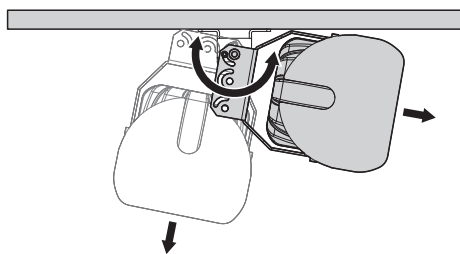


Fig. 6 Esempio di installazione a parete, rotazione orizzontale, da 26° fino a 80° .

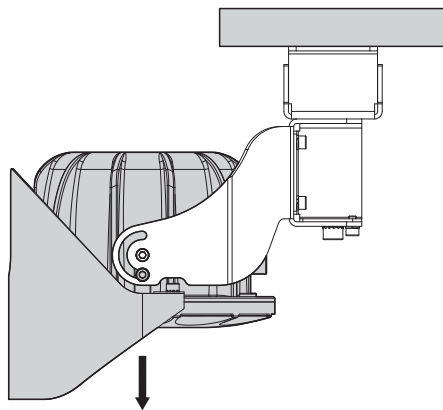


Fig. 7 Esempio di installazione a soffitto, rotazione verticale, -90° .

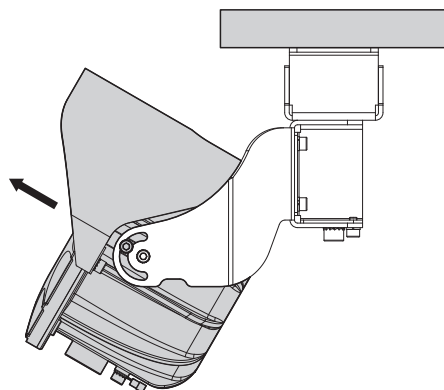


Fig. 8 Esempio di installazione a soffitto, rotazione verticale, $+30^\circ$.

6.1.1 Fissaggio a parapetto o a soffitto

Il prodotto può essere installato a parapetto oppure a soffitto.

Fissare il supporto di fissaggio (01) alla superficie di destinazione finale.

Serrare le viti.

Assemblare il supporto di rinforzo (02) al supporto della custodia (03) tramite le viti M5 e le rondelle da 5 in dotazione. Fissare i 2 supporti così assemblati al supporto di fissaggio (01) tramite la vite M8 (05), la rondella dentellata da 8 e il relativo distanziale (04). Una volta definita la posizione finale del prodotto serrare a coppia la vite M8 (05) e fissare la vite M5 (08) per bloccare la rotazione.

Il cavo, collegato alla custodia, potrebbe risultare ingombrante. È possibile, smontando il tettuccio, ruotare la custodia di 180° (6.2 Fissaggio del tettuccio, pagina 17).

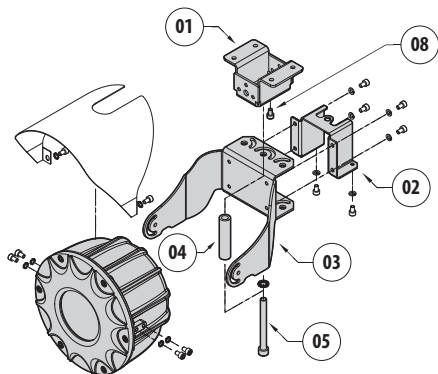


Fig. 9 Fissaggio a soffitto (custodia in posizione normale).

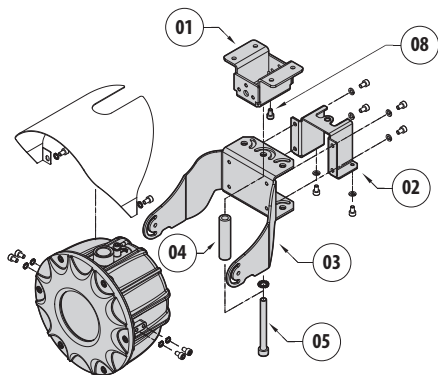


Fig. 10 Fissaggio a soffitto (custodia in posizione ribaltata).

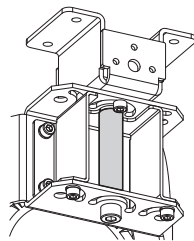


Fig. 11 Vista posteriore dell'installazione completata.

Il fissaggio a parapetto o a soffitto varia a seconda del posizionamento del supporto di fissaggio.

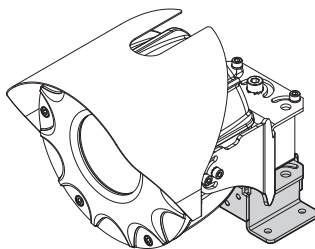


Fig. 12 Fissaggio a parapetto.

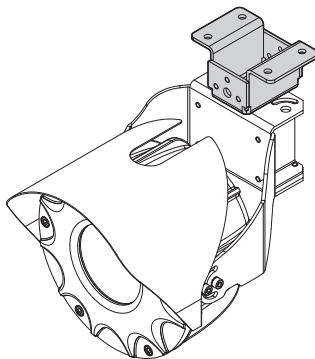


Fig. 13 Fissaggio a soffitto.



Prestare attenzione durante il fissaggio.

**Coppia di serraggio: viti M5, 9Nm
(±0.5Nm). Vite M8, 16.5Nm (±0.5Nm).**

6.1.2 Fissaggio a parete

Il prodotto può essere installato a parete.

Fissare il supporto di fissaggio (01) alla superficie di destinazione finale.

Serrare le viti.

Assemblare il supporto della custodia (03) al supporto di fissaggio (01) tramite la vite M8 (05), rondelle e dado. Una volta definita la posizione finale del prodotto serrare a coppia la vite M8 (05) e fissare le viti M5 (08) per bloccare la rotazione.

Il cavo, collegato alla custodia, potrebbe risultare ingombrante. È possibile, smontando il tettuccio, ruotare la custodia di 180° (6.2 Fissaggio del tettuccio, pagina 17).

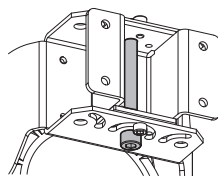


Fig. 16 Vista posteriore dell'installazione completata.

! **Prestare attenzione durante il fissaggio.**
Coppia di serraggio: viti M5, 9Nm
(±0.5Nm). Vite M8, 16.5Nm (±0.5Nm).

6.2 Fissaggio del tettuccio

Il prodotto viene fornito con il tettuccio già installato.

Per esigenze di installazione o manutenzione è possibile smontare il tettuccio. Svitare le viti del tettuccio e rimuoverlo.

Rimontare il tettuccio prima di fissare la custodia al supporto custodia.

! **Prestare attenzione durante il fissaggio.**
Coppia di serraggio: 6Nm (±0.5Nm).

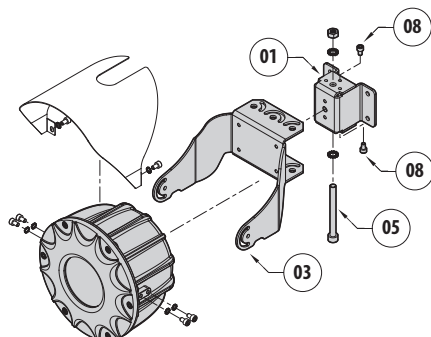


Fig. 14 Custodia in posizione normale.

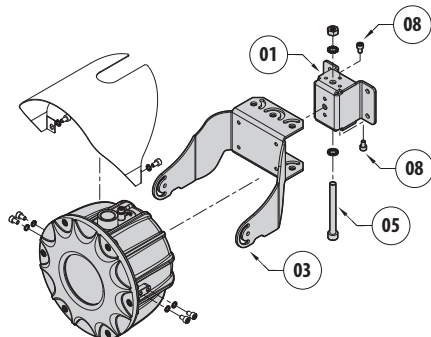


Fig. 15 Custodia in posizione ribaltata.

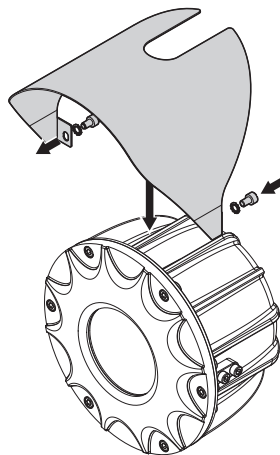


Fig. 17

6.3 Apertura della custodia



Prima di effettuare qualsiasi tipo di intervento leggere attentamente il capitolo "Norme di sicurezza" del presente manuale.

Svitare le viti di chiusura e rimuovere il coperchio frontale dal corpo della custodia.

Caratteristiche delle viti

- Diametro/Passo della vite: M5x0.8
- Materiale: A4
- Testa della vite: ISO 4762
- Lunghezza: 8mm
- Tensione di snervamento (min): 450N/mm²

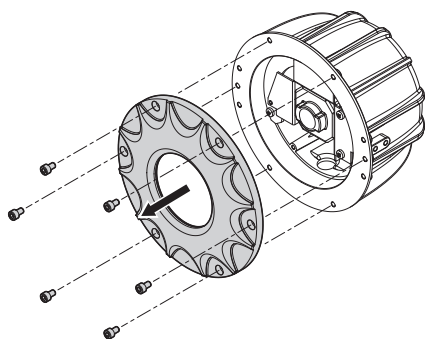


Fig. 18

6.4 Rimozione della slitta

Svitare le 3 viti a croce M4 per estrarre la slitta. Prima di estrarre la slitta verificare che i cablaggi non siano fissati con la fascetta.

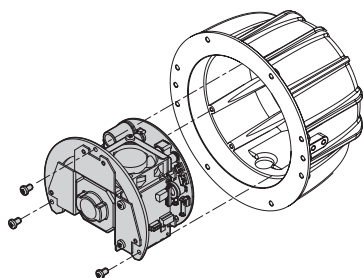


Fig. 19

6.5 Descrizione della scheda della custodia

DESCRIZIONE DELLA SCHEDA	
Connettore/ Morsetto	Funzione
J1	Linea di alimentazione (24Vac/24Vdc)
J4	Riscaldamento
J5	Test scheda
J6	Ventilatore
J7	Collegamento al video encoder
J8	Ethernet, alimentazione PoE+
F1	Fusibile
SW1	Dip-switch di reset

Tab. 5

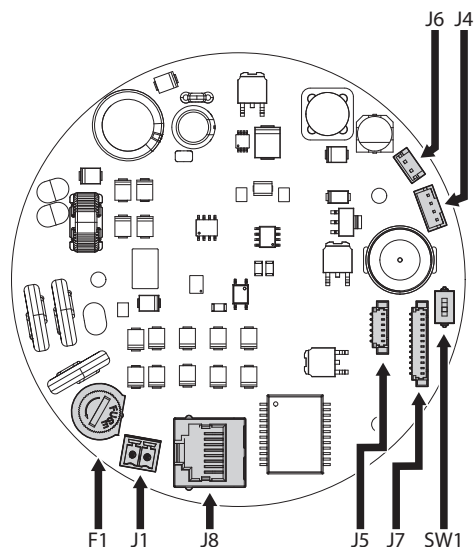


Fig. 20

6.6 Collegamento della linea di alimentazione

6.6.1 Collegamento della linea di alimentazione, 24Vac/24Vdc (versione del prodotto non cablata)

⚠ Verificare che la sorgente e il cavo di alimentazione siano adeguatamente dimensionati.

i La polarità della tensione, applicata al morsetto di alimentazione, è irrilevante.

COLLEGAMENTO DELLA LINEA DI ALIMENTAZIONE		
Alimentazione 24Vac/24Vdc		
Colore	Morsetti	Sezione cavi
Definito dall'installatore	~/+	da 0.14mm ² (28AWG) fino a 1.5mm ² (16AWG)
Definito dall'installatore	~/-	da 0.14mm ² (28AWG) fino a 1.5mm ² (16AWG)

Tab. 6

SPECIFICHE DEI CAVI		
Sezione del cavo	Tensione di alimentazione	Lunghezza massima del cavo
1.5mm ² (16AWG)	24Vdc	20m
	24Vac	40m

Tab. 7

⚠ Il cavo di alimentazione deve essere coperto con la guaina siliconica (01) presente nella dotazione. La guaina siliconica deve essere fissata con l'apposita fascetta (02).

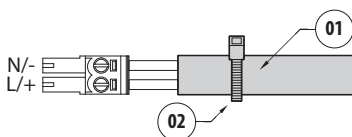


Fig. 21

I cavi di alimentazione vanno collegati al morsetto di alimentazione della scheda della custodia (J1, 6.5 Descrizione della scheda della custodia, pagina 18).

6.6.2 Collegamento della linea di alimentazione, PoE+ (versione del prodotto non cablata)

Il prodotto può essere alimentato tramite dispositivi PoE+ (Power Over Ethernet) conformi allo standard internazionale per l'informazione tecnologica IEEE 802.3at, utilizzando un cavo dati Ethernet di Categoria 5E.

i Lunghezza massima del cavo Ethernet (categoria 5E): 100m.

I dispositivi PSE (Power-Supplying Equipment) adatti all'alimentazione del prodotto devono essere conformi allo standard IEEE 802.3at (PoE+).

Il cavo Ethernet va collegato al connettore RJ45 della scheda della custodia (J8, 6.5 Descrizione della scheda della custodia, pagina 18).

⚠ La schermatura del cavo Ethernet deve sempre essere collegata a terra tramite il connettore. Utilizzare sempre un connettore RJ45 di tipo schermato.

Effettuare i collegamenti secondo quanto descritto nella tabella (in accordo con lo standard: TIA/EIA-568-B).

COLLEGAMENTO DEL CAVO ETHERNET	
Numero del pin	Colore dell'anima
1	Arancione-Bianco
2	Arancione
3	Verde-Bianco
4	Blu
5	Blu-Bianco
6	Verde
7	Marrone-Bianco
8	Marrone

Tab. 8

6.6.3 Collegamento della linea di alimentazione, 24Vac/24Vdc (versione del prodotto cablata)

Effettuare i collegamenti secondo quanto descritto nella tabella.

COLLEGAMENTO DELLA LINEA DI ALIMENTAZIONE (24VAC/24V DC)		
Colore	Funzione	Sezione cavi
Nero 1	~/+	1.5mm ² (16AWG)
Nero 2	~/-	1.5mm ² (16AWG)

Tab. 9

6.6.4 Collegamento della linea di alimentazione, PoE+ (versione del prodotto cablata)

Il prodotto può essere collegato direttamente ad uno switch Ethernet dotato di una porta PoE+ (configurazione End-Span) oppure a uno switch Ethernet classico attraverso un PoE Injector (configurazione Mid-Span).

6.7 Collegamento del cavo Ethernet



La schermatura del cavo Ethernet deve sempre essere collegata a terra tramite il connettore. Utilizzare sempre un connettore RJ45 di tipo schermato.

Utilizzare cavi Ethernet con le seguenti caratteristiche:

- STP (schermato)
- Categoria 5E
- Sezione minima del cavo: 0.22mm² (24AWG).

Per ulteriori informazioni fare riferimento al relativo capitolo (6.6.2 Collegamento della linea di alimentazione, PoE+ (versione del prodotto non cablata), pagina 19).

6.7.1 Collegamento del cavo di rete Ethernet (versione cablata del prodotto)

Il prodotto può essere collegato direttamente ad uno switch Ethernet.

Una installazione tipica è quella riportata nell'esempio sottostante.

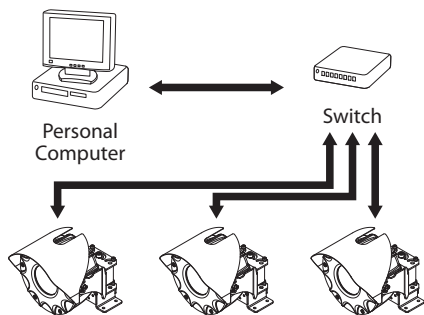


Fig. 22

6.8 Collegamento equipotenziale di terra

Il collegamento equipotenziale di terra deve essere effettuato tramite un cavo esterno con una sezione minima di 4mm² (11AWG).

Connettere il cavo per il collegamento equipotenziale di terra con il terminale ad occhiello fornito in dotazione (adatto per cavi con sezione da 4mm² (11AWG) fino a 6mm² (9AWG)).

Fissare l'occhiello usando la vite M5 e la rondella dentellata fornite in dotazione.

Caratteristiche della vite M5:

- Materiale: A4
- Testa della vite: ISO 4762
- Lunghezza: 8mm
- Tensione di snervamento (min): 450N/mm²



ATTENZIONE! Le connessioni equipotenziali esterne devono essere effettuate utilizzando l'occhiello presente all'esterno del prodotto. Da non utilizzare come morsetto di protezione.

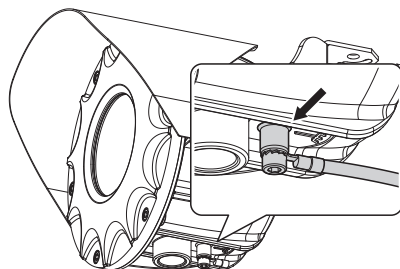


Fig. 23

6.9 Chiusura della custodia

⚠ Testare il corretto funzionamento del sistema prima di chiudere il prodotto e utilizzarlo in atmosfera esplosiva.

⚠ Durante le operazioni di apertura e chiusura del prodotto prestare attenzione a non rovinare il giunto flameproof.

⚠ Prima di chiudere il coperchio frontale verificare l'integrità della guarnizione O-ring. Nel caso la guarnizione sia danneggiata sostituirla con quella fornita in dotazione.

Verificare che non vi sia la presenza di sporcizia o residui.

Sistemare i cavi in maniera che non ci siano interferenze durante la chiusura del coperchio frontale. Per evitare strappi ai cavi è presente, sotto la slitta, un foro per una fascetta di fissaggio.

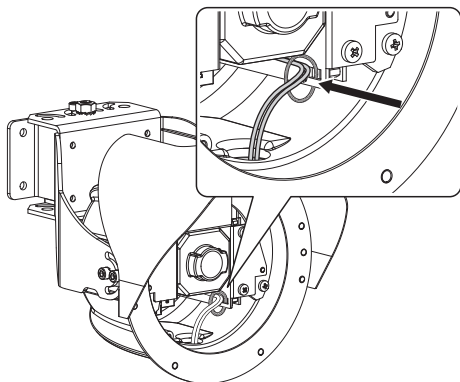


Fig. 24

Inserire il coperchio frontale nel corpo custodia tenendo allineati i fori di chiusura fra coperchio e corpo.

⚠ Prestare attenzione a non danneggiare la guarnizione O-ring.

Avvitare le viti precedentemente rimosse.

Caratteristiche delle viti

- Diametro/Passo della vite: M5x0.8
- Materiale: A4
- Testa della vite: ISO 4762
- Lunghezza: 8mm
- Tensione di snervamento (min): 450N/mm²

⚠ Prestare attenzione durante il fissaggio. Coppia di serraggio: 9Nm (±0.5Nm).

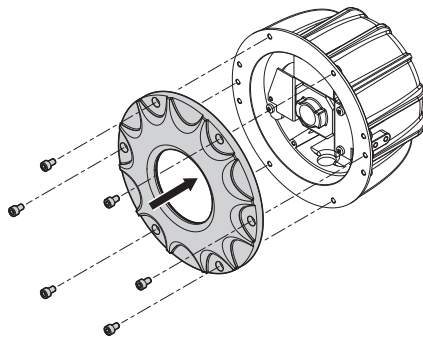


Fig. 25

7 Accensione



Assicurarsi che l'unità e gli altri componenti dell'impianto siano chiusi in modo idoneo a impedire il contatto con parti sotto tensione.



Accertarsi che tutte le parti siano fissate in maniera solida ed affidabile.



La procedura di preriscaldamento automatico (De-Ice) si potrebbe attivare tutte le volte che il dispositivo viene acceso ad una temperatura ambiente inferiore a -10°C. La procedura serve a garantire la corretta funzionalità del dispositivo anche alle basse temperature. Durata della procedura di preriscaldamento: 60 minuti.

Collegare l'alimentazione elettrica per accendere l'unità.

Dopo l'accensione, l'unità necessita di alcuni minuti per essere completamente operativa.

Scollegare l'alimentazione elettrica per spegnere l'unità.

8 Configurazione

8.1 Indirizzo IP di default



L'unità è configurata per ottenere l'indirizzo IP da un server DHCP.

L'indirizzo IP acquisito via DHCP è visibile nel file log del server DHCP.

Se il server DHCP non è disponibile, l'unità si configura automaticamente con un indirizzo IP autogenerato nella sottorete 169.254.x.x/16. Configurare l'indirizzo IP del PC come appartenente alla stessa sottorete (esempio: indirizzo IP: 169.254.1.1, subnet mask: 255.255.0.0).

Per ricercare l'indirizzo IP del dispositivo usare un VMS compatibile ONVIF o un network sniffer (IP scan utility).

8.2 Interfaccia web

8.2.1 Primo accesso alle pagine web

La prima operazione per configurare il dispositivo consiste nel connettersi alla sua interfaccia web.

Per accedere all'interfaccia web del prodotto sarà sufficiente collegarsi con un browser all'indirizzo: <http://indirizzo IP>.

Al primo accesso sarà visualizzata la pagina di Home.

Per la configurazione dell'interfaccia web consultare il manuale relativo alla versione firmware installata, disponibile nella pagina web del prodotto nel sito www.videotec.com.

9 Manutenzione

! Prima di effettuare qualsiasi tipo di intervento leggere attentamente il capitolo "Norme di sicurezza" del presente manuale.

9.1 Manutenzione ordinaria

Quando viene contattato il servizio tecnico di VIDEOTEC è necessario fornire il numero di serie unitamente al codice di identificazione del modello.

9.1.1 Controllo dei cavi

I cavi non devono presentare segni di usura o deterioramento tali da creare situazioni di pericolo. In questo caso si deve eseguire una manutenzione sui cavi.

9.2 Manutenzione straordinaria

9.2.1 Sostituzione dei fusibili

! **ATTENZIONE!** Per assicurare la protezione contro il rischio di incendio, sostituire il fusibile con lo stesso tipo e valore. Il fusibile deve essere sostituito solo da personale qualificato.

i Per mantenere la certificazione cULus Listed è necessario che il fusibile sia UL Listed (OMEGA GT520220, BUSSMAN S505).

Il fusibile utilizzato è descritto di seguito.

SOSTITUZIONE DEL FUSIBILE	
Tensione di alimentazione	Fusibile (F1)
24Vac, 50/60Hz	T 2A H 250V 5x20
24Vdc	

Tab. 10

Utilizzare in alternativa un fusibile di pari caratteristiche.

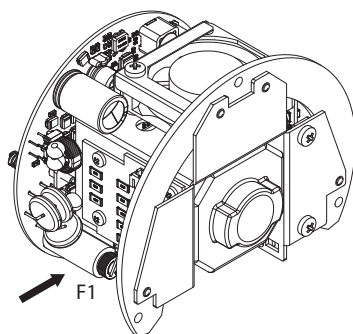


Fig. 26

9.2.2 Sostituzione della guarnizione

Sostituire la guarnizione O-ring del prodotto utilizzando quella fornita in dotazione.

Aprire e chiudere il coperchio come descritto nei capitoli precedenti.

Sostituire la guarnizione O-ring prestando attenzione a posizionarla correttamente.

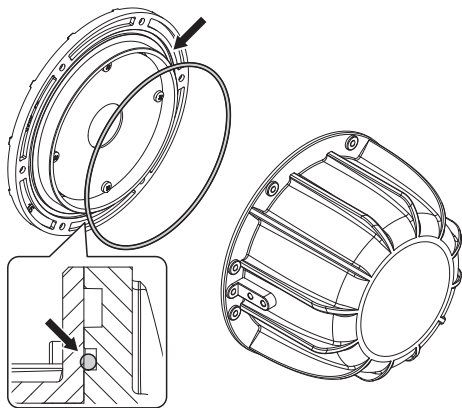


Fig. 27

9.2.3 Factory Default

È possibile effettuare il ripristino delle impostazioni di fabbrica.

Il risultato della procedura di Factory Default è lo stesso ottenuto tramite interfaccia web (manuale Interfaccia Web, Pagina Strumenti, pulsante Hard Reset).


Effettuare la seguente procedura:

- Togliere alimentazione all'unità.
- Aprire la custodia e rimuovere la slitta.
- Impostare su ON il dip switch di reset (SW1, 6.5 Descrizione della scheda della custodia, pagina 18).
- Reinserrire la slitta e chiudere la custodia.
- Alimentare l'unità. Attendere 2 minuti.
- Togliere alimentazione all'unità.
- Aprire la custodia e rimuovere la slitta.
- Impostare su OFF il dip switch di reset (SW1, 6.5 Descrizione della scheda della custodia, pagina 18).
- Reinserrire la slitta e chiudere la custodia.
- Alimentare l'unità.



Una volta terminata la procedura di factory default è necessario configurare l'unità come descritto nel relativo capitolo (8.1 Indirizzo IP di default, pagina 22).

10 Pulizia


 **Prima di effettuare qualsiasi tipo di intervento leggere attentamente il capitolo "Norme di sicurezza" del presente manuale.**


 **La frequenza degli interventi dipende dalla tipologia dell'ambiente in cui è utilizzato il prodotto.**

10.1 Pulizia della finestra in vetro

La pulizia deve essere effettuata con sapone neutro diluito con acqua.

10.2 Pulizia del prodotto

 **Sulla superficie esterna del prodotto non deve mai essere presente un accumulo di polvere superiore a 5mm.**

 **La pulizia del prodotto va effettuata seguendo le indicazioni riportate in questo capitolo al fine di impedire l'accumulo di cariche elettrostatiche.**

La pulizia deve essere effettuata con un panno umido e senza l'utilizzo di aria compressa.

11 Informazioni sullo smaltimento e il riciclo

La Direttiva Europea 2012/19/UE sui Rifiuti di Apparecchiature Elettriche ed Elettroniche (RAEE) prevede che questi apparecchi non debbano essere smaltiti nel normale flusso dei rifiuti solidi urbani, ma che vengano raccolti separatamente per ottimizzare il flusso di recupero e riciclaggio dei materiali che li compongono ed impedire potenziali danni per la salute e per l'ambiente dovuti alla presenza di sostanze potenzialmente pericolose.



Il simbolo del bidone barrato è riportato su tutti i prodotti per ricordarlo.

I rifiuti possono essere conferiti agli appositi centri di raccolta, oppure possono essere consegnati gratuitamente al distributore dove è stata acquistata l'apparecchiatura all'atto di acquisto di una nuova equivalente o senza obbligo di un acquisto nuovo per le apparecchiature di dimensioni minori di 25cm.

Per ulteriori informazioni sulla corretta dismissione di questi apparecchi ci si può rivolgere al servizio pubblico preposto.

12 Risoluzione dei problemi



Prima di effettuare qualsiasi tipo di intervento leggere attentamente il capitolo "Norme di sicurezza" del presente manuale.



Per qualunque problematica non descritta o se i problemi dovessero persistere, contattare il centro di assistenza autorizzato.

PROBLEMA

Il prodotto non si accende.

CAUSA

Errato cablaggio, rottura del fusibile.

SOLUZIONE

Verificare la corretta esecuzione delle connessioni. Verificare la continuità del fusibile e, in caso di guasto, sostituirlo con il modello indicato.

PROBLEMA

Lo streaming video non è visibile.

CAUSA

Errato settaggio dei parametri IP.

SOLUZIONE

Verificare l'indirizzo IP del dispositivo e la configurazione della scheda di rete del computer.

CAUSA

Procedura di preriscaldamento automatico (De-Ice) in corso.

SOLUZIONE

Attendere il termine della procedura di preriscaldamento. Se la temperatura ambiente è troppo bassa l'unità rimane bloccata.

13 Dati tecnici

13.1 Meccanica

Costruzione in acciaio Inox AISI 316L

Superfici esterne pallinate ed elettrolucidate

Tettuccio parasole

Supporti per installazione a parete, soffitto o parapetto

Peso unitario:

- 6.5kg (solo custodia + staffa di supporto)
- 8.5kg (custodia con cavo multipolare armato da 4m)

13.2 Pressacavi

Ingresso dei cavi: 1 foro, 1/2" NPT

Pressacavo Ex d 1/2"NPT (solo con cavo preinstallato)

13.3 Finestre per custodia

Materiale: Vetro temprato

Diametro utile: 73.5mm

13.4 Elettrico

Tensione di alimentazione/Corrente assorbita

- 24Vac $\pm 10\%$, 1.32A, 50/60Hz
- 24Vdc $\pm 5\%$, 0.9A
- PoE+ (IEEE 802.3at)

Potenza assorbita:

- 21W (24Vac, 1.32A, 50/60Hz)
- 20W (24Vdc, 0.9A)
- 21W (PoE+)

Cavo armato

- Diametro esterno: 16.8mm \pm 0.4mm
- Diametro sotto armatura: 12.4mm \pm 0.3mm
- Colore: nero RAL 9005

Composizione del cavo armato:

- 3x1.5mm² (15AWG)
- 4x2x0.22mm² (24AWG) (cat. 5E F/STP)

13.5 Rete

Connessione Ethernet: 100 Base-TX

Connettore: RJ45

13.6 Telecamere

Day/Night Full HD 10x

Risoluzione: Full HD 1080p (1920x1080pixel)

Segnale sistema: 1080p/60fps max

Sensore di immagine: 1/3" CMOS sensor

Pixel effettivi: 2.48Megapixel

Illuminazione Minima, colore (ICR-OFF):

- 0.5lx IRE 50%
- 0.125lx IRE 50% (Slow Shutter)

Illuminazione Minima, B/W (ICR-ON):

- 0.1lx IRE 50%
- 0.025lx IRE 50% (Slow Shutter)

Ottica:

- Da f= 5.1mm (wide) fino a 51mm (tele)
- Da F1.6 fino a F1.8

Zoom: 10x (320x, con zoom digitale)

Campo visivo orizzontale: da 54° (wide) fino a 4.9° (tele)

Distanza minima dell'oggetto: da 100mm (wide) fino a 1000mm (tele)

Velocità dell'otturatore: da 1/8s fino a 1/30000s, 14 passi

Bilanciamento del bianco: Auto, Interni, Esterni, Manuale

Wide Dynamic Range: On/Off, Livello di luminosità

Controllo Esposizione: Auto, Manuale, Priorità diaframma, Priorità otturatore, Luminosità

S/N Ratio: 50dB

De-fog: Off, Auto, Manuale

Mascheratura delle zone di privacy: massimo 8 maschere impostabili

Compensazione Backlight

Stabilizzazione immagine digitale: On/Off

Day/Night Full HD 3x

Risoluzione: Full HD 1080p (1920x1080pixel)

Segnale sistema: 1080p/30fps max

Sensore di immagine: 1/2" type Exmor™ CMOS sensor

Pixel effettivi: 2.17Megapixel

Illuminazione Minima, colore (ICR-OFF):

- 0.15lx, (1/30s)
- 0.0375lx, (1/7.5s), (Slow Shutter)

Illuminazione Minima, B/W (ICR-ON):

- 0.1lx, (1/30s)
- 0.002lx, (1/7.5s), (Slow Shutter)

Ottica:

- Da f= 3.6mm (wide) fino a 10mm (tele)
- Da F1.5 fino a F2.7

Zoom: 3x (96x con zoom digitale)

Campo visivo orizzontale: Da 88.4° (wide) fino a 40.7° (tele)

Distanza minima dell'oggetto: 1000mm) (wide to tele)

Velocità dell'otturatore: Da 1/8s fino a 1/30000s, 14 passi

Bilanciamento del bianco: Auto, Interni, Esterni, Manuale

Wide Dynamic Range: On/Off

Controllo Esposizione: Auto, Manuale, Priorità otturatore, Priorità diaframma, Luminosità

S/N Ratio: 50dB

De-fog: On/Off, Auto, Manual

Mascheratura delle zone di privacy: massimo 8 maschere impostabili

Compensazione Backlight

Stabilizzazione immagine digitale: On/Off

13.7 Ambiente

Installazione per interni ed esterni

Temperatura di certificazione: da -40°C fino a +65°C (T6/T85°C) oppure +70°C (T5/T100°C)

Temperatura di esercizio:

- Funzionamento continuo: da -40°C fino a +65°C
- Test di temperatura conforme NEMA-TS 2-2003 (R2008) par. 2.1.5.1, profilo di test fig. 2-1 (da -34°C fino a +74°C) (solo versioni con Telecamera Day/Night 10X zoom, FullHD)
- Intervento della funzione de-icing (avviamento a freddo): da -40°C fino a -10°C

Umidità relativa: da 5% fino a 95%

13.8 Certificazioni

Sicurezza elettrica (CE): EN60950-1, IEC60950-1, EN62368-1, IEC62368-1

Compatibilità elettromagnetica (CE): EN61000-6-4, EN61000-3-2, EN61000-3-3, EN50130-4, EN55032 (Classe A)

RoHS (CE): EN IEC 63000

Installazione all'esterno (CE): EN60950-22, IEC60950-22

Grado di protezione IP (EN/IEC60529): IP66, IP67, IP68 (2 ore, 5m), IP69

Test vibrazioni: EN50130-5, EN60068-2-6

Certificazione UL (UL60950-1, CAN/CSA C22.2 No. 60950-1-07, UL62368-1 CAN/CSA C22.2 No. 62368-1-14): cULus Listed

Compatibilità elettromagnetica (Nord America): FCC part 15 (Classe A), ICES-003 (Classe A)

Grado di protezione Type (UL50E): 4X, 6P

Certificazione BIS: IS 13252 (PART 1)/IEC60950-1 (certificazione valida solo per il codice: MMX2D0ZA)

Certificazione KC (certificazione valida solo per il codice: MMX2C0ZJ)

RCM (Australian and New Zealand Regulatory Compliance Mark)

Conforme NDAA

13.9 Certificazioni - Applicazioni antideflagranti

ATEX (EN IEC 60079-0, EN 60079-1, EN 60079-31)

IECEx (IEC 60079-0, IEC 60079-1, IEC 60079-31)

EAC EX (TR CU 012/2011)

INMETRO (ABNT NBR IEC 60079-0, ABNT NBR IEC 60079-1, ABNT NBR IEC 60079-31)

KCs (Employment and labor department 2021-22)

UL listed for USA (UL 60079-0, UL 60079-1, UL 60079-31)

UL listed for Canada (CAN/CSA-C22.2 NO. 60079-0, CAN/CSA-C22.2 NO. 60079-1, CAN/CSA-C22.2 NO. 60079-31)

UK Ex (EN IEC 60079-0, EN 60079-1, EN 60079-31)

13.10 Certificazioni - Applicazioni marine

Certificazione Lloyd's Register Marine Type Approval (solo versioni con Telecamera Day/Night 10X zoom, FullHD):

- Test Specification Number 1 (ENV1, ENV2, ENV3, ENV5)

Compatibilità elettromagnetica: EN60945

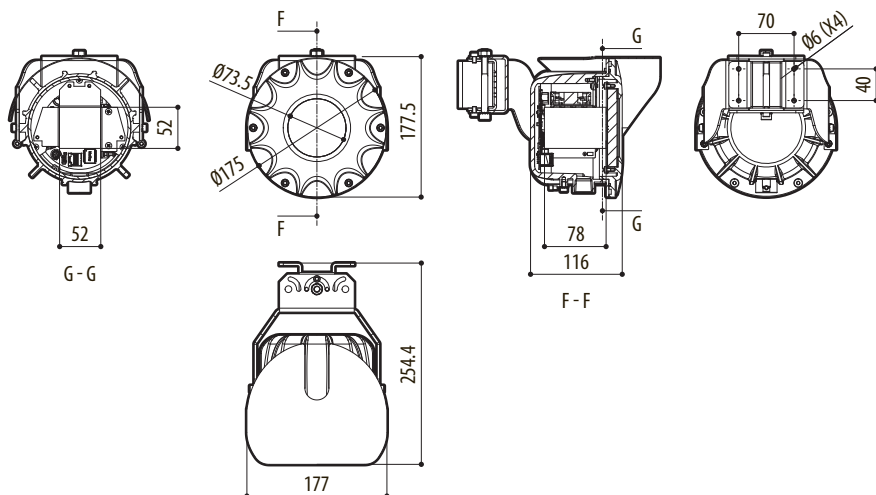
Resistenza alla nebbia salina: EN60068-2-52

Il prodotto ha superato il test a 70°C per 16 ore in accordo con EN60068-2-2

14 Disegni tecnici

i Le misure indicate sono espresse in millimetri.

FISSAGGIO A PARETE



FISSAGGIO A PARAPETTO O A SOFFITTO

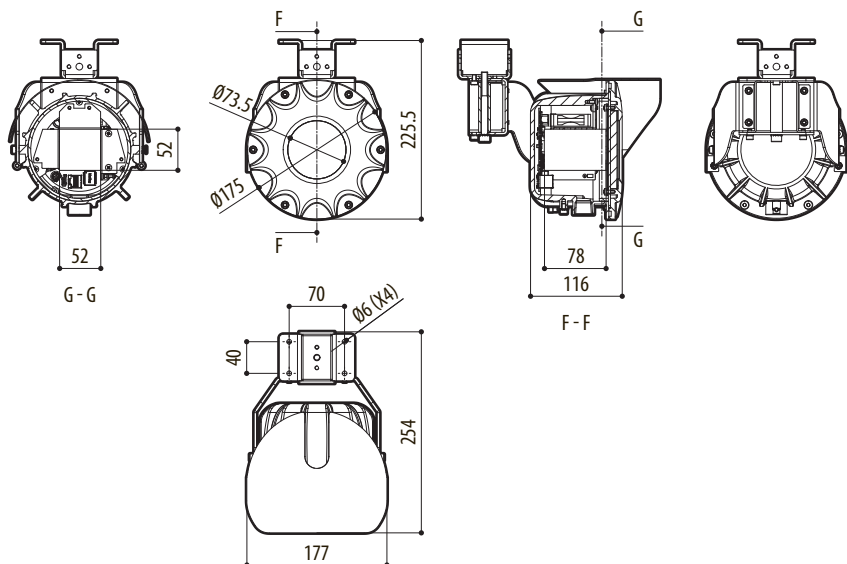


Fig. 28 MAXIMUS MMX.



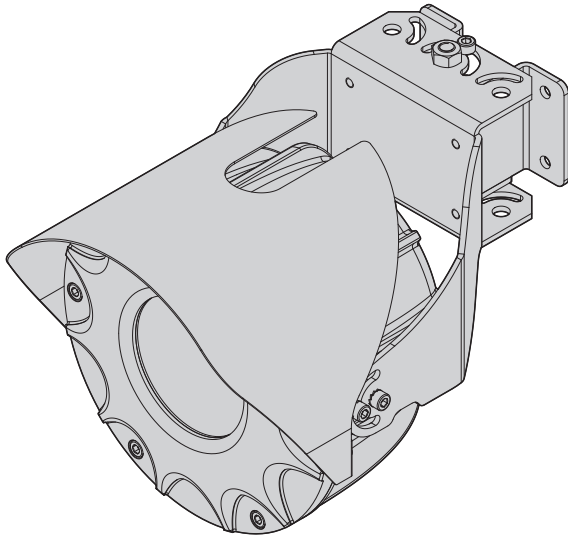
Headquarters Italy VIDEOTEC s.r.l.
Via Friuli, 6 - I-36015 Schio (VI) - Italy
Tel. +39 0445 697411 - Fax +39 0445 697414
Email: info@videotec.com
www.videotec.com

MNVCMMX_2223_IT



MAXIMUS MMX

Caméra FULL HD flameproof au design compact



Sommaire

1 À propos de ce mode d'emploi.....	5
1.1 Conventions typographiques.....	5
2 Notes sur le copyright et informations sur les marques de commerce.....	5
3 Normes de sécurité	5
4 Description et désignation du produit	8
4.1 Vue d'ensemble du produit.....	8
4.2 <u>Champ d'utilisation</u>	<u>9</u>
4.3 <u>Conditions particulières d'utilisation.....</u>	<u>9</u>
4.4 <u>Groupes Gaz, Groupe Poussières et Températures</u>	<u>9</u>
4.5 <u>Entrée câbles.....</u>	<u>9</u>
4.6 <u>Étiquette de marquage du produit.....</u>	<u>10</u>
4.7 Uniquement pour la référence UL/CSA standard	11
Importantes consignes de sécurité	11
Étiquette de marquage	11
Connexions	12
Références de normes	12
4.8 Identification du modèle	13
5 Préparation du produit en vue de l'utilisation.....	14
5.1 Déballage	14
5.2 Contenu.....	14
5.3 Élimination sans danger des matériaux d'emballage	14
6 Installation	14
6.1 Options d'installation.....	15
6.1.1 Fixation sur parapet ou plafond.....	16
6.1.2 Fixation murale.....	17
6.2 Fixation du toit pare-soleil.....	17
6.3 <u>Ouverture du caisson</u>	<u>18</u>
6.4 Retrait de la glissière	18
6.5 Description de la carte du caisson.....	18
6.6 Connexion de la ligne d'alimentation	19
6.6.1 Connexion de la ligne d'alimentation, 24Vac/24Vdc (version du produit non câblée).....	19
6.6.2 Connexion de la ligne d'alimentation, PoE+ (version du produit non câblée)	19
6.6.3 Connexion de la ligne d'alimentation, 24Vac/24Vdc (version du produit câblée).....	19
6.6.4 Connexion de la ligne d'alimentation, PoE+ (version du produit câblée)	19
6.7 Branchement du câble Ethernet	20
6.7.1 Branchement du câble de réseau Ethernet (version câblée du produit)	20
6.8 <u>Branchement équipotentiel de mise à la terre</u>	<u>20</u>
6.9 <u>Fermeture du caisson</u>	<u>21</u>
7 Allumage	22
8 Configuration.....	22
8.1 Adresse IP par défaut.....	22

8.2 Interface web.....	22
8.2.1 Premier accès aux pages web.....	22
9 Entretien	23
9.1 Maintenance ordinaire	23
9.1.1 Contrôle des câbles.....	23
9.2 Entretien extraordinaire	23
9.2.1 Remplacement des fusibles.....	23
9.2.2 Remplacement du joint.....	24
9.2.3 Factory Default	24
10 Nettoyage	25
10.1 Nettoyage de la fenêtre en verre	25
10.2 Nettoyage du produit.....	25
11 Informations sur l'élimination et le recyclage	25
12 Dépannage.....	26
13 Données techniques	26
13.1 Mécanique.....	26
13.2 Presse-étoupes	26
13.3 Fenêtres pour caisson	26
13.4 Électrique.....	26
13.5 Réseau	26
13.6 Caméras	27
13.7 Environnement	28
13.8 Certifications.....	28
13.9 Certifications - Applications anti-déflagrations.....	28
13.10 Certifications - Applications marines.....	28
14 Dessins techniques.....	29

1 À propos de ce mode d'emploi

Avant d'installer et d'utiliser ce produit, lire attentivement toute la documentation fournie. Garder le manuel à portée de main pour des consultations successives.

1.1 Conventions typographiques



DANGER!

Danger d'explosion.

Lire avec attention pour éviter tout risque d'explosion.



DANGER!

Risque élevé.

Risque de choc électrique. Sauf indication contraire, sectionner l'alimentation avant de procéder à toute opération.



ATTENTION!

Risque moyen.

Opération extrêmement importante en vue d'un fonctionnement correct du système. Lire avec attention les opérations indiquées et s'y conformer rigoureusement.



REMARQUE

Description des caractéristiques du système.

Il est conseillé de procéder à une lecture attentive pour une meilleure compréhension des phases suivantes.

Titres soulignés

Les informations sont conditionnées par les certifications.

2 Notes sur le copyright et informations sur les marques de commerce

Les noms de produit ou de sociétés cités sont des marques de commerce ou des marques de commerce enregistrées.

ONVIF® est une marque enregistrée d'Onvif, Inc.

3 Normes de sécurité



DANGER!

Danger d'explosion.

Lire avec attention pour éviter tout risque d'explosion.

- L'installation et l'entretien de l'appareil doivent être effectués par un personnel technique spécialisé, selon la norme de référence applicable EN/IEC 60079-14, EN/IEC 60079-17 et les normes nationales.
- Ne pas ouvrir le dispositif s'il est alimenté et en présence d'atmosphère explosive.
- Effectuer l'installation en utilisant des outils adéquats. Le lieu dans lequel le dispositif est installé peut toutefois exiger l'utilisation d'outils spécifiques.
- Effectuer tous les branchements, les interventions d'installation et d'entretien dans une atmosphère non explosive.
- Le branchement équipotentiel est obligatoire pour éviter tout risque d'amorçage des produits installés dans des environnements potentiellement explosifs.
- Avant d'alimenter le produit en atmosphère à risque d'explosion, s'assurer qu'il est correctement fermé.
- La température des surfaces de l'appareil augmente en cas d'exposition directe à la lumière solaire. La classe de température à la surface de l'appareil a été calculée seulement à température ambiante, sans tenir compte de l'exposition directe à la lumière solaire.
- S'assurer que tous les appareils soient homologués pour l'utilisation dans le milieu dans lequel ils seront installés.
- Toute modification non approuvée expressément par le fabricant entraînera l'annulation de la garantie.

**DANGER!****Risque élevé.**

Risque de choc électrique. Sauf indication contraire, sectionner l'alimentation avant de procéder à toute opération.

- Procéder à l'installation et à l'entretien avec l'alimentation électrique coupée et avec le dispositif de sectionnement ouvert.
- L'installation électrique doit être équipée d'un sectionneur de réseau facile à reconnaître et à utiliser en cas de nécessité.
- Le circuit électrique auquel l'unité est reliée doit être équipé d'un interrupteur de protection bipolaire automatique de 10A max. La distance minimale entre les de l'interrupteur de protection contacts doit être de 3mm. L'interrupteur doit être muni d'une protection contre la surintensité (magnétothermique).
- L'appareil n'est considéré comme désactivé que quand l'alimentation est enlevée et les câbles de branchement avec d'autres dispositifs ont été enlevés.
- Ne pas utiliser de câbles usés ou endommagés.
- Tous les câbles doivent être conformes aux normes IEC60332-1-2, IEC 60332-1-3 et IEC/EN60079-14.
- Contrôler que les sources d'alimentation et les câbles de branchement sont en mesure de supporter la consommation du système.
- Pour assurer la protection contre le risque d'incendie, remplacer les fusibles avec le même type et valeur. Les fusibles doivent être remplacés seulement par un personnel qualifié.
- Le dispositif n'est pas prévu pour un usage en lieux susceptibles d'accueillir des enfants.

**ATTENTION!****Risque moyen.**

Opération extrêmement importante en vue d'un fonctionnement correct du système. Lire avec attention les opérations indiquées et s'y conformer rigoureusement.

- S'assurer que l'installation soit conforme aux normes locales.
- Effectuer les branchements et les essais en atelier avant l'installation sur site.
- Vérifier que la source et le câble d'alimentation sont adéquatement dimensionnés.
- Utiliser des câbles adaptés pour supporter les températures de fonctionnement.
- Tous les câbles débranchés doivent être isolés électriquement.
- Le produit peut être installé en toute position.
- Avant d'alimenter l'appareil, s'assurer qu'il est solidement fixé.
- Le fabricant décline toute responsabilité en cas de dommage, de tous les appareils mentionnés dans ce manuel, dérivant d'une manipulation, de l'utilisation de pièces détachées non originales, d'installation, de manutention ou d'entretien effectué par un personnel non qualifié.
- Utiliser uniquement des pièces de rechange originales VIDEOTEC. Suivre à la lettre les instructions d'entretien qui accompagne chaque kit de rechange.
- Pour les interventions de l'assistance techniques, s'adresser exclusivement à du personnel technique agréé.
- La réparation de ce produit doit être exécutée par du personnel adéquatement formé ou sous la supervision du personnel VIDEOTEC conformément aux normes prévues: IEC/EN60079-19.
- L'installation est du type TNV-1. Ne pas la connecter à des circuits SELV.
- Manipulez le produit avec soin pour éviter les contacts accidentels, les arêtes et les angles coupants.

**REMARQUE****Description des caractéristiques du système.**

Il est conseillé de procéder à une lecture attentive pour une meilleure compréhension des phases suivantes.

- Avant de procéder à l'installation, contrôler que le matériel fourni correspond à la commande et examiner les étiquettes de marquage.
- Les MATÉRIELS sont destinés à être installés dans des EMPLACEMENTS À ACCÈS RESTREINT de la part d'un personnel technique spécialisé.
- Le fabricant décline toute responsabilité pour les dommages éventuels dus à une utilisation non appropriée des appareils mentionnés dans ce manuel. On réserve en outre le droit d'en modifier le contenu sans préavis. La documentation contenue dans ce manuel a été rassemblée et vérifiée avec le plus grand soin. Le fabricant, cependant, ne peut assumer aucune responsabilité dérivant de l'emploi de celle là. La même chose vaut pour chaque personne ou société impliquées dans la création et la production de ce manuel.
- Etant donné que l'utilisateur est responsable du choix de la surface de fixation, le fabricant ne fournit pas dans la livraison les dispositifs de fixation de l'unité à la surface. L'installateur est responsable de choisir des dispositifs adaptés à la surface à disposition. Il est conseillé d'utiliser des méthodes et des matériaux en mesure de supporter un poids au moins 4 fois supérieur à celui de l'appareil.
- Nous conseillons, pour n'importe quelle intervention de maintenance, de rapporter le produit en laboratoire pour effectuer les opérations nécessaires.
- Ce produit appartient à la Classe A. Dans un milieu résidentiel ce produit peut être la cause de radioperturbations. Dans ce cas il est préférable de prendre des mesures appropriées.
- Pour être conforme aux règlements sur les chutes et les coupures de tension d'alimentation, veuillez utiliser un onduleur (UPS) approprié pour alimenter l'appareil.
- L'appareil doit être alimenté par une source d'énergie PS2
- Pour alimenter le produit, utiliser un transformateur de sécurité et / ou un alimentateur isolé à tension continue ayant les caractéristiques adéquates. Les caractéristiques d'alimentation en sortie ne doivent pas dépasser les valeurs indiquées ci-après. Tension d'alimentation: 24Vac ($\pm 10\%$) ou 24Vdc ($\pm 5\%$).
- En cas d'alimentation à 24 Vac, une coupure appropriée de la ligne d'alimentation AC doit être prévue, en fournissant une isolation double ou renforcée entre la ligne d'alimentation principale et le circuit secondaire.

4 Description et désignation du produit

FR - Français - Manuel d'instructions

Le caisson anti-déflagrant MMX est conçu pour être installé en lieux à risques d'explosion, il est en acier inoxydable AISI 316L, grenailé et électropoli. Le caisson peut être alimenté en 24Vac, en 24Vdc ou via un câble Ethernet (PoE+). Le caisson présente une entrée 1/2" NPT. Le caisson MMX offre un degré de protection IP66/IP68/IP69 et peut être installé, selon sa classe, en lieu à températures comprises entre -40°C et +70°C.

4.1 Vue d'ensemble du produit

Les principaux composants du produit sont décrits ci-dessous.

01. Support de fixation.
02. Support de renforcement.
03. Support du caisson.
04. Entretoise.
05. Vis M8x80.
06. Double toit.
07. Caisson.

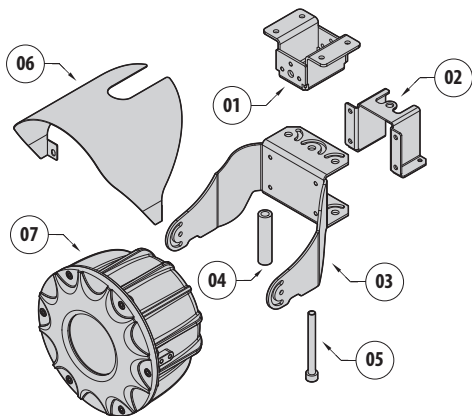


Fig. 1

4.2 Champ d'utilisation

L'emploi de l'unité est définie pour l'utilisation sur poste fixe pour la surveillance de zones avec atmosphère potentiellement explosive classées 1-21 ou 2-22.

L'unité est construite et certifiée conformément à la directive 2014/34/UE et aux standards internationaux IECEx qui en définissent le champ d'application et les conditions minimales de sécurité.

4.3 Conditions particulières d'utilisation

La surface extérieure du produit ne doit jamais être recouverte de plus de 5 mm de poussière.

Afin d'éviter l'accumulation de charges électrostatiques pendant le nettoyage, le dispositif doit être nettoyé avec un chiffon humide.

Les caméras à installer ne doivent pas être électromagnétiques ni contenir de lasers, sources d'ondes continues, ni d'appareils irradiant de l'énergie à ultrasons.

Les caméras installables ne doivent pas contenir de piles ni de batteries.

Les caméras doivent être de formes géométriques basiques.

Température ambiante et température de la surface - voir les instructions.

Contactez le fabricant pour des informations sur les dimensions du joint antifeu.

4.4 Groupes Gaz, Groupe Poussières et Températures

Le dispositif est certifié pour le groupe IIB (Gaz) et le groupe IIIC (poussières).

Température ambiante: -40°C/+65°C ou +70°C.

CLASSE DE TEMPERATURE	TEMPÉRATURE AMBIANTE MAXIMUM
T6 / T85°C	+65°C
T5 / T100°C	+70°C

Tab. 1

4.5 Entrée câbles

Tous les presse-étoupes non utilisés doivent être opportunément certifiés Ex, avec un type de protection résistant aux explosions « db », et « tb », adaptés aux conditions d'utilisation et correctement installés.

En cas d'utilisation du conduit, un raccord de blocage adéquat certifié Ex est nécessaire, avec un type de protection résistant aux explosions « db » et « tb », adapté aux conditions d'utilisation et correctement installé.

Le raccord de blocage doit être placé à 50mm (1.97in) au plus du dispositif.

Les températures d'entrée des câbles sont indiquées sur le marquage.

Pour conserver le degré IP du produit, utiliser des presse-étoupes à degré de protection adéquat et appliquer aux filetages un produit d'étanchéité conforme à la norme IEC/EN60079-14.

4.6 Étiquette de marquage du produit

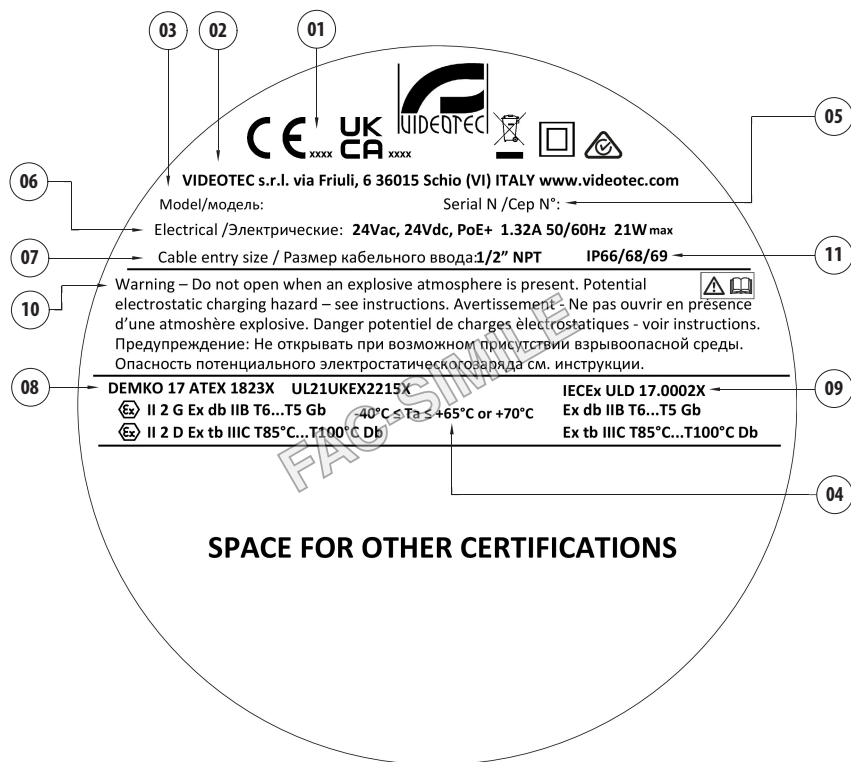


Fig. 2

1. Numéro de l'organisme accrédité qui fournit l'évaluation de la qualité.
2. Nom et adresse du fabricant.
3. Modèles.
4. Température ambiante d'utilisation.
5. Le numéro de série se compose de 12 caractères numériques, le deuxième et le troisième chiffre définissent les deux numéros de l'année de fabrication.
6. Caractéristiques électriques (tension V, fréquence Hz, courant A, puissance W).
7. Type, dimension et nombre d'entrées câbles
8. Marquage ATEX. La classe de température dépend de l'électronique installée à l'intérieur et de la température ambiante.
9. Marquage IECEx. La classe de température dépend de l'électronique installée à l'intérieur et de la température ambiante.
10. Mises en garde.
11. Degré de protection IP.

4.7 Uniquement pour la référence UL/CSA standard



Les joints antifeu ne doivent pas être réparés.



Aux États-Unis, le National Electrical Code (NEC) et au Canada le Canadian Electrical Code (CEC) s'appliquent aux équipements électriques utilisés en milieux industriels dangereux. Ces Codes contiennent les qualités requises pour l'installation de systèmes électriques dans toutes les zones et se réfèrent à une série d'autres standards provenant d'autres institutions avec des spécifications pour la construction et l'installation d'équipements adéquats.

Importantes consignes de sécurité

WARNING: A SEAL SHALL BE INSTALLED WITHIN 50 mm OF THE ENCLOSURE.

AVERTISSEMENT: UN SCÈLEMENT DOIT ÊTRE INSTALLÉ À MOINS DE 50 mm DU BOÎTIER.

WARNING: "CABLE ENTRY AND BRANCHING POINT IS 83.2°C AT +65°C AMBIENT AND 88.2°C AT +70°C AMBIENT. USE SUITABLE CABLE AND CABLE GLANDS".

AVERTISSEMENT: LA TEMPÉRATURE DE L'ENTRÉE DE CÂBLE ET DU POINT DE BRANCHEMENT EST DE 83.2°C JUSQU'À +65°C AMBIANT ET DE 88.2°C JUSQU'À +70°C AMBIANT. UTILISEZ LE CÂBLE ET LES PRESSE-ÉTOUPES APPROPRIÉS.

WARNING: DO NOT OPEN WHEN EXPLOSIVE ATMOSPHERE IS PRESENT.

AVERTISSEMENT - NE PAS OUVRIR EN PRÉSENCE D'UNE ATMOSPHÈRE EXPLOSIVE

WARNING: POTENTIAL ELECTROSTATIC CHARGING HAZARD – SEE INSTRUCTIONS.

AVERTISSEMENT - DANGER POTENTIEL DE CHARGES ÉLECTROSTATIQUES - VOIR INSTRUCTIONS

Étiquette de marquage



Fig. 3

NEMA Types: TYPE 4X, TYPE 6P

Connexions



Le choix de la connexion doit être conforme aux normes locales en vigueur.

Presse-étoupes: sélectionner un presse-étoupe conforme à UL2225 ayant la protection suivante AEx d IIC et C22.2 ayant la protection suivante Ex d IIC conformément au marquage du produit.

Conduit: il est nécessaire d'installer un dispositif d'étanchéité dans les 50mm à compter de l'entrée du produit quand on utilise le conduit.

Références de normes

UL 60950-1, 2nd Edition, 2019-05-09 (Information Technology Equipment - Safety - Part 1: General Requirements)

CAN/CSA C22.2 No. 60950-1-07, 2nd Edition, 2014-10 (Information Technology Equipment - Safety - Part 1: General Requirements)

UL 62368-1, 2nd Ed, 2014-12-01 (Audio/video, information and communication technology equipment Part 1: Safety requirements)

CAN/CSA C22.2 No. 62368-1-14, 2nd Ed, Issued: 2014-12-01 (Audio/video, information and communication technology equipment Part 1: Safety requirements)

UL 60079-0, 7th Edition, Explosive atmospheres - Part 0: Equipment - General requirements

UL 60079-1, 7th Edition, Explosive Atmospheres - Part 1: Equipment Protection by Flameproof Enclosures "d"

UL 60079-31, 2nd Edition, Explosive Atmospheres - Part 31: Equipment Dust Ignition Protection by Enclosure "t"

CSA C22.2 No. 60079-0:19, Explosive atmospheres - Part 0: Equipment - General requirements

CSA C22.2 No. 60079-1:16, Explosive Atmospheres - Part 1: Equipment Protection by Flameproof Enclosures "d"

CSA C22.2 No. 60079-31:15, Explosive Atmospheres - Part 31: Equipment Dust Ignition Protection by Enclosure "t"

4.8 Identification du modèle

MAXIMUS MMX - CHOIX DES CONFIGURATIONS					
	Tension	Caméra	Connexions	Sortie Vidéo	Profil ONVIF
MMX	2 24Vdc/ 24Vac, PoE+	4 Caméra Day/Night 3X zoom, FullHD	0 Sans câble, sans presse-étoupe	Z IP	A Conforme à ONVIF, Profil Q, Profil S et Profil T
		D Caméra Day/Night 10X zoom, FullHD	A Presse-étoupe Ex d 1/2" NPT et câble armé de 4m		J Conforme à ONVIF, Profil S et Profil T
			B Presse-étoupe Ex d 1/2" NPT et câble armé de 10m		

Tab. 2

MAXIMUS MMX - CERTIFICATIONS ET MARQUAGES (AVEC CÂBLE)			
Certification	Marquage	Température ambiante	Température d'entrée câble
ATEX	Ⓜ II 2 G Ex db IIB T6...T5 Gb Ⓜ II 2 D Ex tb IIIC T85°C...T100°C Db	-40°C ≤ Ta ≤ +65°C or +70°C	+83.2°C avec Ta ≤ +65°C +88.2°C avec Ta ≤ +70°C
IECEx	Ex db IIB T6...T5 Gb Ex tb IIIC T85°C...T100°C Db		
EAC Ex	1Ex db IIB T6...T5 Gb X Ex tb IIIC T85°C...T100°C Db X		
INMETRO	Ex db IIB T6...T5 Gb Ex tb IIIC T85°C...T100°C Db		
UK Ex	Ⓜ II 2 G Ex db IIB T6...T5 Gb Ⓜ II 2 D Ex tb IIIC T85°C...T100°C Db		

Tab. 3

MAXIMUS MMX - CERTIFICATIONS ET MARQUAGES (SANS CÂBLE)			
Certification	Marquage	Température ambiante	Température d'entrée câble
ATEX	Ⓜ II 2 G Ex db IIB T6...T5 Gb Ⓜ II 2 D Ex tb IIIC T85°C...T100°C Db	-40°C ≤ Ta ≤ +65°C or +70°C	+83.2°C avec Ta ≤ +65°C +88.2°C avec Ta ≤ +70°C
IECEx	Ex db IIB T6...T5 Gb Ex tb IIIC T85°C...T100°C Db		
EAC Ex	1Ex db IIB T6...T5 Gb X Ex tb IIIC T85°C...T100°C Db X		
KCs	Ex db IIB T6...T5 Gb Ex tb IIIC T85°C...T100°C Db		
INMETRO	Ex db IIB T6...T5 Gb Ex tb IIIC T85°C...T100°C Db		
Hazardous Location America	Class I, Zone 1, AEx db IIB T6...T5 Gb Zone 21, AEx tb IIIC T85°C...T100°C Db Class I, Div 2 Group C, D T6...T5 Class II, Div 2, Group F and G T6...T5		
Hazardous Location Canada	Ex db IIB T6...T5 Gb X Ex tb IIIC T85°C...T100°C Db X Class I, Div 2 Group C, D T6...T5 Class II, Div 2, Group F and G T6...T5		
UK Ex	Ⓜ II 2 G Ex db IIB T6...T5 Gb Ⓜ II 2 D Ex tb IIIC T85°C...T100°C Db		

Tab. 4

5 Préparation du produit en vue de l'utilisation



Avant tout type d'intervention, lire avec attention le chapitre "Normes de sécurité" dans ce manuel.

5.1 Déballage

Lors de la livraison du produit, vérifier que l'emballage est en bon état et l'absence de tout signe évident de chute ou d'abrasion.

En cas de dommages évidents, contacter immédiatement le fournisseur.

En cas de retour du produit défectueux, il est conseillé d'utiliser l'emballage original pour le transport.

Conserver l'emballage en cas de nécessité d'expédition du produit pour réparation.

5.2 Contenu

Contrôler que le contenu correspond à la liste matériel indiquée ci-dessous:

- Caisson flameproof
- Kit de rechange O-ring
- Kit du support
- Manuel d'instructions

5.3 Élimination sans danger des matériaux d'emballage

Le matériel d'emballage est entièrement composé de matériaux recyclables. Le technicien chargé de l'installation est tenu de l'éliminer conformément aux dispositions en matière de collecte sélective et selon les normes en vigueur dans le pays d'utilisation.

6 Installation



Avant tout type d'intervention, lire avec attention le chapitre "Normes de sécurité" dans ce manuel.

Il est conseillé d'utiliser exclusivement des étriers et des accessoires approuvés pour l'installation.

6.1 Options d'installation



L'axe de la vis M8 doit toujours être en position verticale.

Les étagères fournies permettent d'installer le produit dans les positions ci-après.

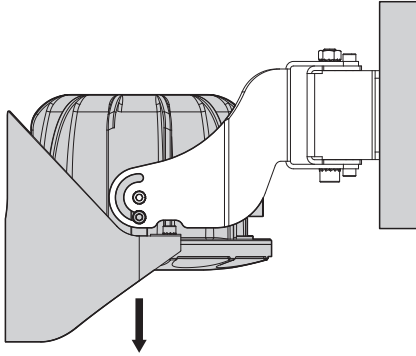


Fig. 4 Exemple d'installation murale, rotation verticale, -90° .

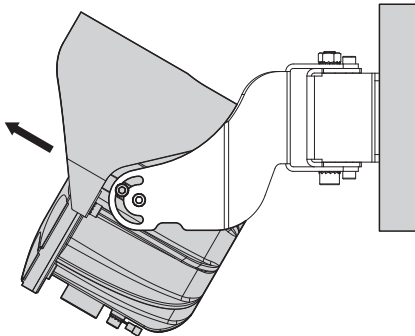


Fig. 5 Exemple d'installation murale, rotation verticale, $+30^\circ$.

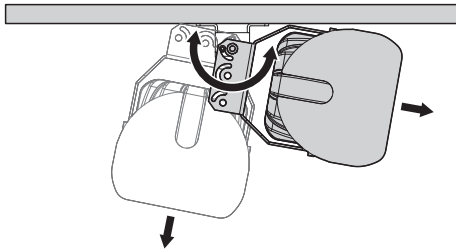


Fig. 6 Exemple d'installation murale, rotation horizontale, de 26° jusqu'à 80° .

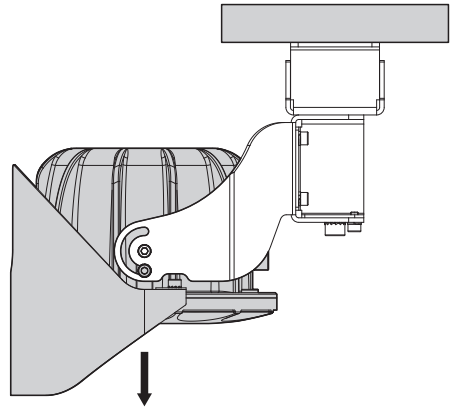


Fig. 7 Exemple d'installation au plafond, rotation verticale, -90° .

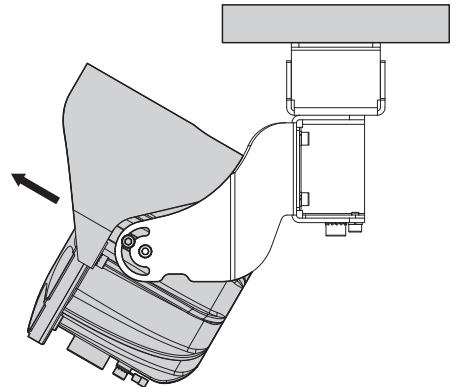


Fig. 8 Exemple d'installation au plafond, rotation verticale, $+30^\circ$.

6.1.1 Fixation sur parapet ou plafond

Le produit peut être installé sur parapet ou au plafond.

Fixez le support de fixation (01) sur la surface de destination finale.

Serrer les vis.

Montez le support de renforcement (02) sur le support du caisson (03) à l'aide des vis M5 et des rondelles de 5 fournies. Fixez les 2 supports ainsi montés sur le support de fixation (01) à l'aide des vis M8 (05), de la rondelle dentelée de 8 et de l'entretoise relative (04). Une fois la position finale du produit définie, serrez avec un couple la vis M8 (05) et fixez la vis M5 (08) pour bloquer la rotation.

Le câble, relié au caisson, peut être encombrant. En démontant le toit pare-soleil, vous pouvez faire tourner le caisson de 180° (6.2 Fixation du toit pare-soleil, page 17).

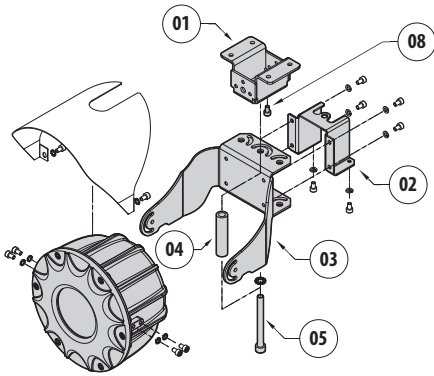


Fig. 9 Fixation au plafond (caisson en position normale).

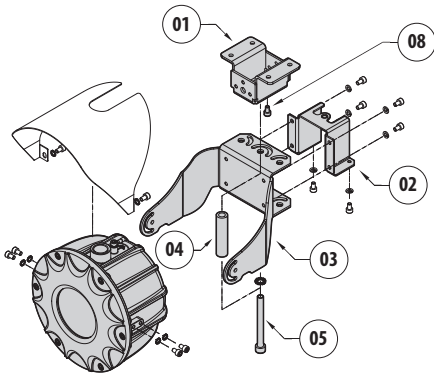


Fig. 10 Fixation au plafond (caisson en position inversée).

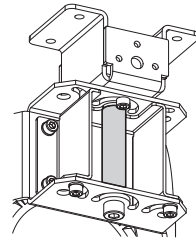


Fig. 11 Vue arrière de l'installation complète.

La fixation sur parapet ou au plafond varie selon le positionnement du support de fixation.

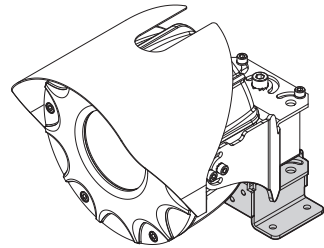


Fig. 12 Fixation sur parapet.

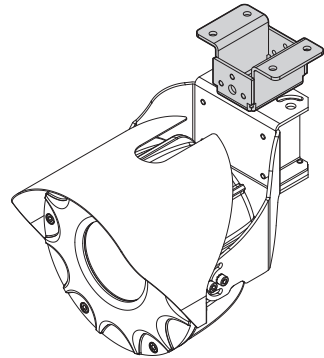


Fig. 13 Fixation au plafond.



Faire attention pendant la fixation. Couple de serrage: vis M5, 9Nm (± 0.5 Nm). Vis M8, 16.5Nm (± 0.5 Nm).

6.1.2 Fixation murale

Le produit peut être installé au mur.

Fixez le support de fixation (01) sur la surface de destination finale.

Serrer les vis.

Montez le support du caisson (03) sur le support de fixation (01) à l'aide de la vis M8 (05), des rondelles et de l'écrou. Après avoir défini la position finale du produit, serrez en couple la vis M8 (05) et fixez les vis M5 (08) pour bloquer la rotation.

Le câble, relié au caisson, peut être encombrant. En démontant le toit pare-soleil, vous pouvez faire tourner le caisson de 180° (6.2 Fixation du toit pare-soleil, page 17).

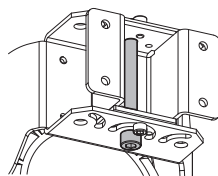


Fig. 16 Vue arrière de l'installation complète.

Faire attention pendant la fixation. Couple de serrage: vis M5, 9Nm (± 0.5 Nm). Vis M8, 16.5Nm (± 0.5 Nm).

6.2 Fixation du toit pare-soleil

Le produit est fourni avec le toit pare-soleil déjà installé.

Le toit pare-soleil peut être démonté pour les besoins de l'installation ou la maintenance. Dévissez les vis du toit pare-soleil et retirez-le.

Remontez-le avant de fixer le caisson sur le support du caisson.

Faire attention pendant la fixation. Couple de serrage: 6Nm (± 0.5 Nm).

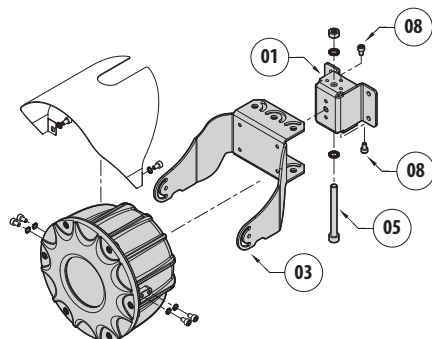


Fig. 14 Caisson en position normale.

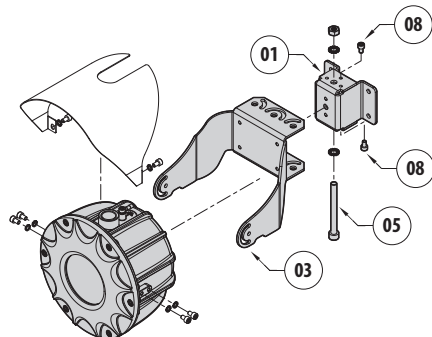


Fig. 15 Caisson en position inversée.

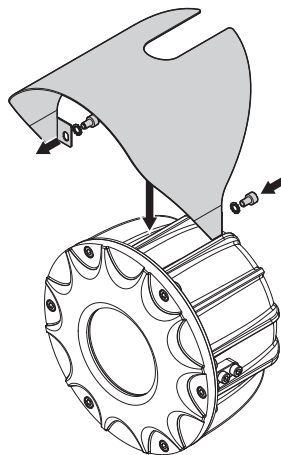


Fig. 17

6.3 Ouverture du caisson



Avant tout type d'intervention, lire avec attention le chapitre "Normes de sécurité" dans ce manuel.

Dévissez les vis de blocage et retirez le couvercle avant du corps du caisson.

Caractéristiques des vis

- Diamètre/Pas de la vis: M5x0.8
- Matériau: A4
- Tête de la vis: ISO 4762
- Longueur: 8mm
- Tension de la limite d'élasticité (min): 450N/mm²

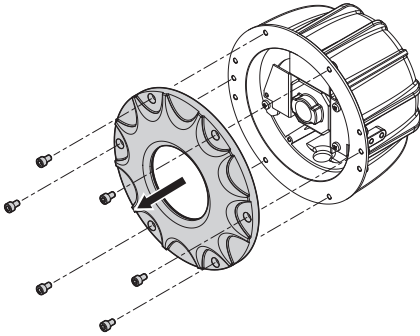


Fig. 18

6.4 Retrait de la glissière

Dévissez les 3 vis cruciformes M4 pour extraire la glissière. Avant de retirer la glissière, vérifiez que les câblages ne sont pas fixés avec le collier.

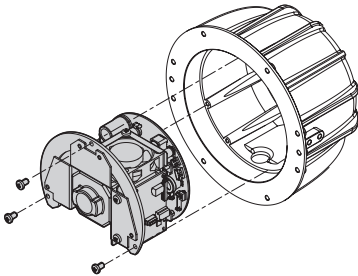


Fig. 19

6.5 Description de la carte du caisson

DESCRIPTION DE LA CARTE

Connecteur/ Borne	Fonction
J1	Ligne d'alimentation (24Vac/24Vdc)
J4	Chauffage
J5	Test de la carte
J6	Ventilateur
J7	Branchement à l'encodeur vidéo
J8	Ethernet, alimentation PoE+
F1	Fusible
SW1	DIP switch de réinitialisation

Tab. 5

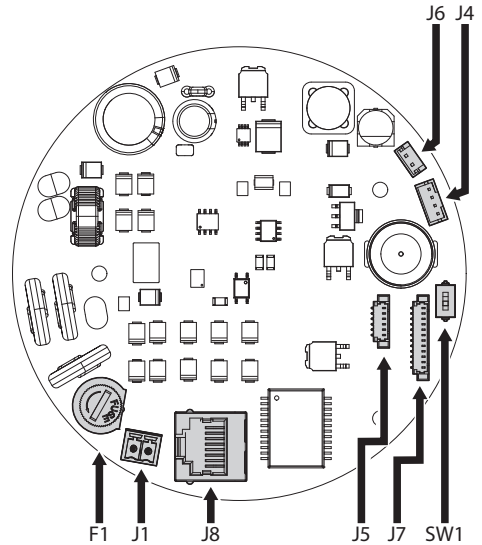


Fig. 20

6.6 Connexion de la ligne d'alimentation

6.6.1 Connexion de la ligne d'alimentation, 24Vac/24Vdc (version du produit non câblée)

⚠ Vérifier que la source et le câble d'alimentation sont adéquatement dimensionnés.

i La polarité de la tension, appliquée à la borne d'alimentation, est insignifiante.

CONNEXION DE LA LIGNE D'ALIMENTATION		
Alimentation 24Vac/24Vdc		
Couleur	Bornes	Section des câbles
Défini par l'installateur	~/+	de 0.14mm ² (28AWG) jusqu'à 1.5mm ² (16AWG)
Défini par l'installateur	~/-	de 0.14mm ² (28AWG) jusqu'à 1.5mm ² (16AWG)

Tab. 6

SPÉCIFICATIONS DES CÂBLES		
Section du câble	Tension d'alimentation	Longueur maximum du câble
1.5mm ² (16AWG)	24Vdc	20m
	24Vac	40m

Tab. 7

⚠ Le câble d'alimentation doit en outre être couvert de la gaine en silicone (01) fournie. La gaine en silicone doit être fixée au moyen du collier prévu (02).

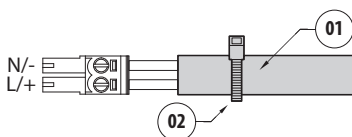


Fig. 21

Les câbles d'alimentation sont branchés à la borne d'alimentation de la carte du caisson (J1, 6.5 Description de la carte du caisson, page 18).

6.6.2 Connexion de la ligne d'alimentation, PoE+ (version du produit non câblée)

Le produit peut être alimenté par des dispositifs PoE+ (Power Over Ethernet) conformes à la norme internationale en matière d'information technologique IEEE 802.3at, à l'aide d'un câble de données Ethernet de catégorie 5E.

i Longueur maximale du câble Ethernet (catégorie 5E): 100m.

Les dispositifs PSE (Power Sourcing Equipment) adaptés à l'alimentation du produit doivent être conformes à la norme IEEE 802.3at (PoE+).

Le câble Ethernet doit être branché au connecteur RJ45 de la carte du caisson (J8, 6.5 Description de la carte du caisson, page 18).

⚠ Le blindage du câble Ethernet doit toujours être branchée à la terre à travers le connecteur. Toujours utiliser un connecteur RJ45 de type blindé.

Effectuer les branchements selon ce qui est décrit dans le tableau (conforme au standard: TIA/EIA-568-B).

BRANCHEMENT DU CÂBLE ETHERNET	
Numéro du pin	Couleur de l'âme
1	Orange-Blanc
2	Orange
3	Vert-Blanc
4	Bleue
5	Bleue-Blanc
6	Vert
7	Marron-Blanc
8	Marron

Tab. 8

6.6.3 Connexion de la ligne d'alimentation, 24Vac/24Vdc (version du produit câblée)

Effectuer les branchements selon ce qui est décrit dans le tableau.

CONNEXION DE LA LIGNE D'ALIMENTATION (24VAC/24VDC)		
Couleur	Fonction	Section des câbles
Noir 1	~/+	1.5mm ² (16AWG)
Noir 2	~/-	1.5mm ² (16AWG)

Tab. 9

6.6.4 Connexion de la ligne d'alimentation, PoE+ (version du produit câblée)

Le produit peut être directement relié à un switch Ethernet muni d'un port PoE+ (configuration End-Span) ou à un switch Ethernet classique via un injecteur PoE (configuration Mid-Span).

6.7 Branchement du câble Ethernet



Le blindage du câble Ethernet doit toujours être branché à la terre à travers le connecteur. Toujours utiliser un connecteur RJ45 de type blindé.

Utiliser des câbles Ethernet ayant les caractéristiques suivantes:

- STP (blindé)
- Catégorie 5E
- Section minimale du câble: 0.22mm² (24AWG).

Pour d'autres renseignements se référer à le chapitre relatif (6.6.2 Connexion de la ligne d'alimentation, PoE+ (version du produit non câblée), page 19).

6.7.1 Branchement du câble de réseau Ethernet (version câblée du produit)

Le produit peut être branché directement à un commutateur Ethernet.

Une installation type est représentée ci-dessus.

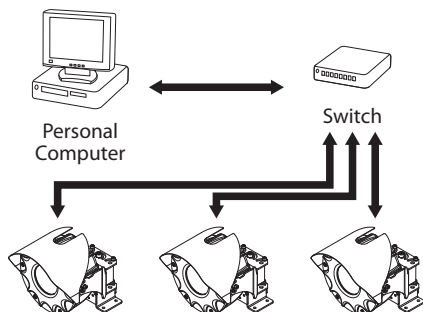


Fig. 22

6.8 Branchement équipotentiel de mise à la terre

Le branchement équipotentiel de mise à la terre doit être effectué avec un câble externe d'une section minimale 4mm² (11AWG).

Connecter le câble pour le branchement équipotentiel de terre avec la borne à œillet fournie (adaptée aux câbles de section 4mm² (11AWG) à 6mm² (9AWG)).

Fixer l'œillet à l'aide de la vis M5 et de la rondelle dentelée fournies.

Caractéristiques de la vis M5:

- Matériau: A4
- Tête de la vis: ISO 4762
- Longueur: 8mm
- Tension de la limite d'élasticité (min): 450N/mm²



ATTENTION! Les connexions équipotentielles externes doivent être effectuées en utilisant l'œillet présent à l'extérieur du produit. À ne pas utiliser comme borne de protection.

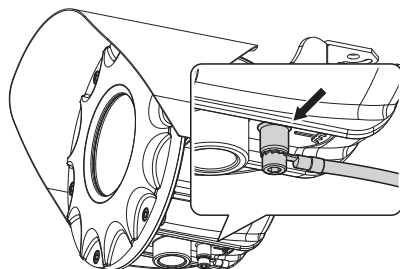


Fig. 23

6.9 Fermeture du caisson

⚠ Contrôler que le système fonctionne correctement avant de fermer le caisson et d'utiliser l'appareil en présence d'atmosphère explosive.

⚠ Durant les opérations d'ouverture et de fermeture du produit, faire attention de ne pas endommager le joint antifeu.

⚠ Avant de fermer le couvercle frontal, vérifier l'intégrité du joint O-ring. Si le joint est endommagé, le remplacer par celui fourni en dotation.

Vérifier l'absence de saleté ou de résidus.

Placez les câbles de manière à éviter toute interférence pendant la fermeture du couvercle avant. Pour ne pas endommager les câbles, un trou destiné à un collier de fixation est présent sous la glissière.

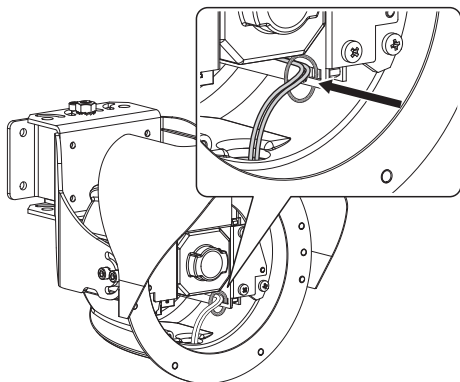


Fig. 24

Insérez le couvercle avant dans le corps du caisson en gardant les trous de fermeture alignés entre le couvercle et le corps.

⚠ Faire attention de ne pas endommager le joint torique.

Vissez les vis précédemment retirées.

Caractéristiques des vis

- Diamètre/Pas de la vis: M5x0.8
- Matériau: A4
- Tête de la vis: ISO 4762
- Longueur: 8mm
- Tension de la limite d'élasticité (min): 450N/mm²

⚠ Faire attention pendant la fixation. Couple de serrage: 9Nm (± 0.5 Nm).

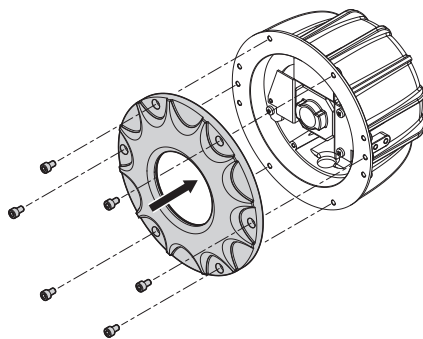


Fig. 25

7 Allumage



S'assurer que l'unité et les autres composants de l'installation sont fermés correctement afin d'éviter le contact avec des parties sous tension.



Ne pas stationner à proximité du dispositif sous tension. N'intervenir sur le dispositif qu'avec l'alimentation coupée.



La procédure de préchauffage automatique (De-Ice) peut être activée chaque fois que le dispositif est mis en fonction à une température ambiante inférieure à -10°C. La procédure permet de garantir un fonctionnement correct du dispositif également à basse température. Durée de la procédure de préchauffage: 60 minutes.

Il suffit de brancher l'alimentation électrique pour allumer l'unité.

Après la mise en marche, l'unité nécessite quelques minutes pour être totalement opérationnelle.

Débrancher l'alimentation électrique pour éteindre l'unité.

8 Configuration

8.1 Adresse IP par défaut



L'appareil est configuré pour obtenir l'adresse IP depuis un serveur DHCP.

L'adresse IP acquise via DHCP est visible dans le fichier journal du serveur DHCP.

En cas d'indisponibilité du serveur DHCP, l'appareil se configure automatiquement avec une adresse IP autogénérée dans le sous-réseau 169.254.x.x/16. Configurez l'adresse IP du PC comme appartenant au même sous-réseau (exemple: adresse IP: 169.254.1.1, subnet mask: 255.255.0.0).

Pour rechercher l'adresse IP du dispositif, utiliser un VMS compatible ONVIF ou un renifleur de réseau (IP scan utility).

8.2 Interface web

8.2.1 Premier accès aux pages web

La première opération pour configurer le dispositif consiste en la connexion à son interface web.

Pour accéder à l'interface Web du produit, il suffit de se connecter avec un navigateur à l'adresse: <http://adresse IP>.

La page d'accueil sera affichée au premier accès.

Pour la configuration de l'interface Web, consulter le manuel de la version du firmware installé, disponible sur la page web du produit, sur le site www.videotec.com.

9 Entretien

⚠ Avant tout type d'intervention, lire avec attention le chapitre "Normes de sécurité" dans ce manuel.

9.1 Maintenance ordinaire

Lorsque vous contactez le service technique de VIDEOTEC, il est nécessaire de fournir le numéro de série et le code d'identification du modèle.

9.1.1 Contrôle des câbles

Les câbles ne doivent présenter aucun signe d'usure ou d'endommagement pouvant entraîner des situations de danger. Un entretien doit alors être effectué sur les câbles.

9.2 Entretien extraordinaire

9.2.1 Remplacement des fusibles

⚠ ATTENTION! Pour assurer la protection contre le risque d'incendie, substituer le fusible par un fusible de même type et de même valeur. Le fusible doit être substitué seulement par du personnel qualifié.

i Pour conserver la certification cULus Listed, le fusible doit être UL Listed (OMEGA GT520223, BUSSMAN S508).

Le fusible utilisé est décrit ci-dessous.

SUBSTITUTION DU FUSIBLE	
Tension d'alimentation	Fusible (F1)
24Vac, 50/60Hz	T 2A H 250V 5x20
24Vdc	

Tab. 10

Utiliser sinon un fusible à caractéristiques identiques.

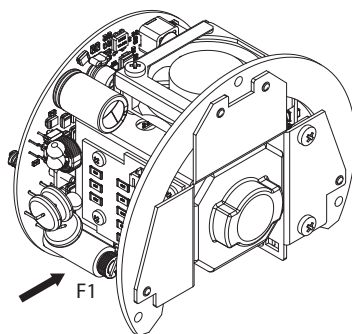


Fig. 26

9.2.2 Remplacement du joint

Remplacer le joint torique du produit par le modèle fourni.

Ouvrir et fermer le couvercle de la façon décrite aux chapitres précédents.

Remplacer le joint torique en veillant à le positionner correctement.

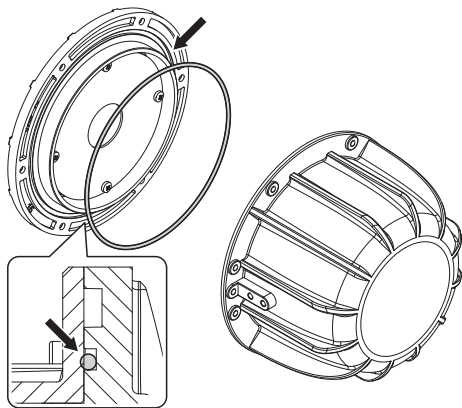


Fig. 27

9.2.3 Factory Default

Il est possible d'effectuer le rétablissement des programmations d'usine.

Le résultat de la procédure de Standard d'usine est le même que celui obtenu par interface web (manuel Interface Web, Page Instruments, bouton Hard Reset).

Effectuer la procédure suivante:

- Couper l'alimentation à l'unité.
- Ouvrir le caisson et extraire la glissière.
- Programmer sur ON le commutateur de réinitialisation (SW1, 6.5 Description de la carte du caisson, page 18).
- Réinsérer la glissière et fermer le caisson.
- Allumer l'unité. Attendre 2 minutes.
- Couper l'alimentation à l'unité.
- Ouvrir le caisson et extraire la glissière.
- Programmer sur OFF le commutateur de réinitialisation (SW1, 6.5 Description de la carte du caisson, page 18).
- Réinsérer la glissière et fermer le caisson.
- Allumer l'unité.



Une fois la procédure de standard usine terminée, il faut configurer l'unité selon la description du chapitre correspondant (8.1 Adresse IP par défaut, page 22).

10 Nettoyage



Avant tout type d'intervention, lire avec attention le chapitre "Normes de sécurité" dans ce manuel.



La fréquence des interventions dépend du type d'environnement dans lequel le caisson est utilisé.

10.1 Nettoyage de la fenêtre en verre

Le nettoyage doit être fait avec du savon neutre dilué avec de l'eau.

10.2 Nettoyage du produit



Sur la surface extérieure du produit il ne faut jamais avoir une quantité de poussière supérieure à 5mm.



Le nettoyage du produit est réalisé en suivant les indications décrites dans le présent chapitre, afin d'empêcher l'accumulation de charges électrostatiques.

Effectuer le nettoyage avec un chiffon humide et ne pas utiliser d'air comprimé.

11 Informations sur l'élimination et le recyclage

La Directive Européenne 2012/19/UE sur les déchets d'équipements électriques et électroniques (DEEE) exige que ces dispositifs ne doivent pas être éliminés dans le flux normal de déchets solides municipaux, mais ils doivent être collectés séparément afin d'optimiser le flux de récupération et de recyclage des matériaux qu'ils contiennent et pour réduire l'impact sur la santé humaine et l'environnement en raison de la présence de substances potentiellement dangereuses.



Le symbole de la poubelle sur roues barrée d'une croix figure sur tous les produits pour le rappeler.

Les déchets peuvent être livrés aux centres de collecte appropriés ou peuvent être livrés gratuitement au distributeur où vous avez acheté l'équipement, au moment de l'achat d'un nouvel dispositif équivalent ou sans obligation d'achat pour un équipement de taille inférieure de 25cm.

Pour plus d'informations sur l'élimination correcte de ces dispositifs, vous pouvez contacter le service public responsable.

12 Dépannage



Avant tout type d'intervention, lire avec attention le chapitre "Normes de sécurité" dans ce manuel.



Pour tout problème non décrit ou en cas de problèmes persistants, contacter le centre d'assistance agréé.

PROBLÈME

Le produit ne s'allume pas.

CAUSE

Mauvais câblage, rupture du fusible.

SOLUTION

Vérifier les connexions. Vérifier la continuité du fusible et, en cas de panne, le substituer par le modèle indiqué.

PROBLÈME

La vidéo n'est pas visible en streaming.

CAUSE

Mauvais réglage des paramètres IP.

SOLUTION

Vérifier l'adresse IP du dispositif et la configuration de la carte de réseau de l'ordinateur.

CAUSE

Procédure de préchauffage automatique (De-Ice) en cours.

SOLUTION

Attendre la fin de la procédure de préchauffage. Si la température ambiante est trop basse, l'unité reste bloqué.

13 Données techniques

13.1 Mécanique

Construction en acier inox AISI 316L

Surfaces externes grenillées et électropolies

Double toit pare-soleil

Supports pour l'installation au mur, au plafond ou sur parapet

Poids net:

- 6.5kg (seulement caisson + bride de support)
- 8.5kg (caisson avec câble multipolaire armé de 4m)

13.2 Presse-étoupes

Entrée de câbles: 1 trou, 1/2" NPT

Presse-étoupe Ex d 1/2"NPT (seulement avec câble préinstallé)

13.3 Fenêtres pour caisson

Matériau: Vitre trempé

Diamètre utile: 73.5mm

13.4 Électricité

Tension d'alimentation/Courant absorbé

- 24Vac $\pm 10\%$, 1.32A, 50/60Hz
- 24Vdc $\pm 5\%$, 0.9A
- PoE+ (IEEE 802.3at)

Puissance absorbée:

- 21W (24Vac, 1.32A, 50/60Hz)
- 20W (24Vdc, 0.9A)
- 21W (PoE+)

Câble armé

- Diamètre extérieur: 16.8mm ± 0.4 mm
- Diamètre sous armature: 12.4mm ± 0.3 mm
- Couleur: noir RAL 9005

Composition du câble armé:

- 3x1.5mm² (15AWG)
- 4x2x0.22mm² (24AWG) (cat. 5E F/STP)

13.5 Réseau

Connexion Ethernet: 100 Base-TX

Connecteur: RJ45

13.6 Caméras

Day/Night Full HD 10x

Résolution: Full HD 1080p (1920x1080pixel)

Signal système: 1080p/60fps max

Capteur d'image: 1/3" CMOS sensor

Pixels effectifs: 2.48Megapixel

Éclairage minimum, couleur (ICR-OFF):

- 0.5lx IRE 50%
- 0.125lx IRE 50% (Slow Shutter)

Éclairage minimum, B/W (ICR-ON):

- 0.1lx IRE 50%
- 0.025lx IRE 50% (Slow Shutter)

Objectif:

- De f= 5.1mm (wide) jusqu'à 51mm (télé)
- De F1.6 jusqu'à F1.8

Zoom: 10x (320x, avec le zoom numérique)

Angle de vision horizontal: de 54° (wide) jusqu'à 4.9° (télé)

Distance minimum de l'objet: de 100mm (wide) jusqu'à 1000mm (télé)

Vitesse d'obturation: de 1/8s jusqu'à 1/30000s, 14 étapes

Équilibrage du blanc: Auto, Intérieur, Extérieur, Manuel

Wide Dynamic Range: On/Off, Niveau lumière

Contrôle Exposition: Auto, Manuel, Priorité shutter, Priorité iris, Luminosité

S/N Ratio: 50dB

De-fog: Off, Auto, Manuel

Masquage des zones de confidentialité: maximum 8 masques configurables

Compensation Backlight

Stabilisation image digitale: On/Off

Day/Night Full HD 3x

Résolution: Full HD 1080p (1920x1080pixel)

Signal système: 1080p/30fps max

Capteur d'image: 1/2" type Exmor™ CMOS sensor

Pixels effectifs: 2.17Megapixel

Éclairage minimum, couleur (ICR-OFF):

- 0.15lx, (1/30s)
- 0.0375lx, (1/7.5s), (Slow Shutter)

Éclairage minimum, B/W (ICR-ON):

- 0.1lx, (1/30s)
- 0.002lx, (1/7.5s), (Slow Shutter)

Objectif:

- De f= 3.6mm (wide) jusqu'à 10mm (télé)
- De F1.5 jusqu'à F2.7

Zoom: 3x (96x avec le zoom numérique)

Angle de vision horizontal: De 88.4° (wide) jusqu'à 40.7° (télé)

Distance minimum de l'objet: 1000mm) (wide to tele)

Vitesse d'obturation: De 1/8s jusqu'à 1/30000s, 14 étapes

Équilibrage du blanc: Auto, Intérieur, Extérieur, Manuel

Wide Dynamic Range: On/Off

Contrôle Exposition: Auto, Manuel, Priorité iris, Priorité shutter, Luminosité

S/N Ratio: 50dB

De-fog: On/Off, Auto, Manuel

Masquage des zones de confidentialité: maximum 8 masques configurables

Compensation Backlight

Stabilisation image digitale: On/Off

13.7 Environnement

Installation d'intérieur et d'extérieur

Température de certification: de -40°C jusqu'à +65°C (T6/T85°C) ou +70°C (T5/T100°C)

Température de fonctionnement:

- Fonctionnement continu : de -40°C jusqu'à +65°C
- Essai de température conforme à NEMA-TS 2-2003 (R2008) paragr. 2.1.5.1, profil de test fig. 2-1 (de -34°C jusqu'à +74°C) (uniquement pour versions avec Caméra Day/Night 10X zoom, FullHD)
- Intervention de la fonction de dégivrage (départ à froid): de -40°C jusqu'à -10°C

Humidité relative: de 5% jusqu'à 95%

13.8 Certifications

Sécurité électrique (CE): EN60950-1, IEC60950-1, EN62368-1, IEC62368-1

Compatibilité électromagnétique (CE): EN61000-6-4, EN61000-3-2, EN61000-3-3, EN50130-4, EN55032 (Classe A)

RoHS (CE): EN IEC 63000

Installation à l'extérieur (CE): EN60950-22, IEC60950-22

Degré de protection IP (EN/IEC60529): IP66, IP67, IP68 (2 heures, 5m), IP69

Test des vibrations: EN50130-5, EN60068-2-6

Certification UL (UL60950-1, CAN/CSA C22.2 No. 60950-1-07, UL62368-1 CAN/CSA C22.2 No. 62368-1-14): cULus Listed

Compatibilité électromagnétique (Amérique du Nord): FCC part 15 (Classe A), ICES-003 (Classe A)

Degré de protection Type (UL50E): 4X, 6P

Certification BIS: IS 13252 (PART 1)/IEC60950-1 (certification valide seulement pour le code: MMX2DOZA)

Certification KC (certification valide seulement pour le code: MMX2C0ZJ)

RCM (Australian and New Zealand Regulatory Compliance Mark)

Conforme à NDAA

13.9 Certifications - Applications anti-déflagrations

ATEX (EN IEC 60079-0, EN 60079-1, EN 60079-31)

IECEx (IEC 60079-0, IEC 60079-1, IEC 60079-31)

EAC EX (TR CU 012/2011)

INMETRO (ABNT NBR IEC 60079-0, ABNT NBR IEC 60079-1, ABNT NBR IEC 60079-31)

KCs (Employment and labor department 2021-22)

UL listed for USA (UL 60079-0, UL 60079-1, UL 60079-31)

UL listed for Canada (CAN/CSA-C22.2 NO. 60079-0, CAN/CSA-C22.2 NO. 60079-1, CAN/CSA-C22.2 NO. 60079-31)

UK Ex (EN IEC 60079-0, EN 60079-1, EN 60079-31)

13.10 Certifications - Applications marines

Certification Lloyd's Register Marine Type Approval (uniquement pour versions avec Caméra Day/Night 10X zoom, FullHD):

- Test Specification Number 1 (ENV1, ENV2, ENV3, ENV5)

Compatibilité électromagnétique: EN60945

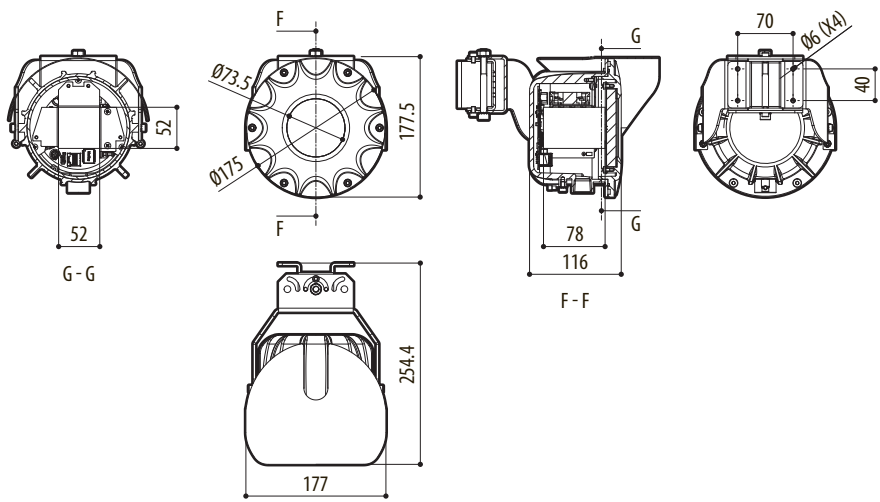
Résistant à la brume saline: EN60068-2-52

Éprouvé à 70°C pendant 16 heures conformément à la norme EN60068-2-2

14 Dessins techniques

i Les tailles indiquées sont en millimètres.

FIXATION MURALE



FIXATION SUR PARAPET OU PLAFOND

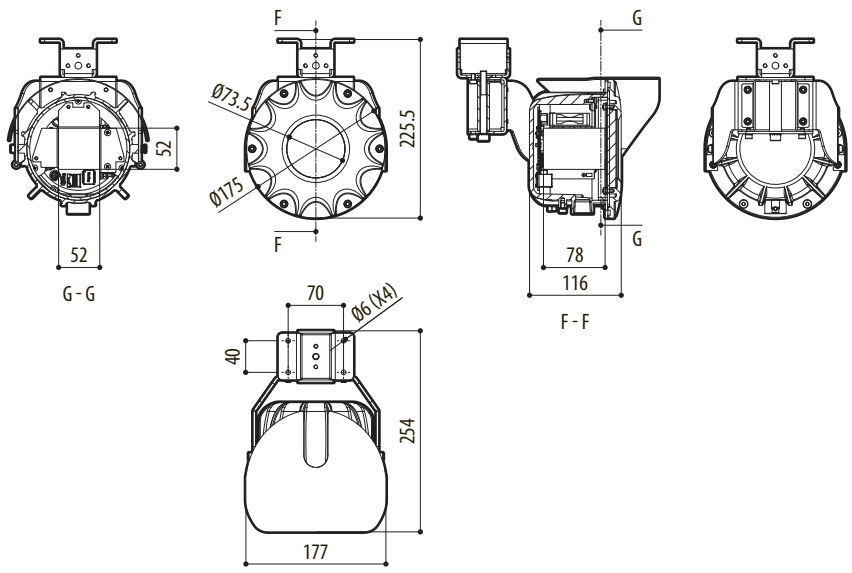


Fig. 28 MAXIMUS MMX.



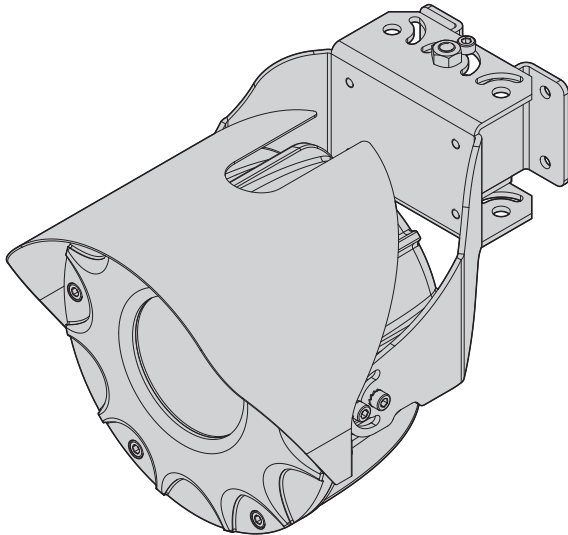
Headquarters Italy VIDEOTEC s.r.l.
Via Friuli, 6 - I-36015 Schio (VI) - Italy
Tel. +39 0445 697411 - Fax +39 0445 697414
Email: info@videotec.com
www.videotec.com

MNVCMMX_2223_FR



MAXIMUS MMX

Kompakte, flameproof FULL HD-Kamera



Inhaltsverzeichnis

1 Allgemeines	5
1.1 Schreibweisen.....	5
2 Anmerkungen zum Copyright und Informationen zu den Handelsmarken	5
3 Sicherheitsnormen	5
4 Beschreibung und Bezeichnung des Produktes	8
4.1 Produktübersicht.....	8
4.2 Benutzerfeld	9
4.3 Spezifische Anwendungsbedingungen	9
4.4 Gasgruppen, Staub- und Temperaturgruppe	9
4.5 Kabeleingang	9
4.6 Schildchen mit Produktkennzeichnung.....	10
4.7 Nur für Standardbezugnahme auf UL/CSA	11
Wichtige Hinweise für die Sicherheit	11
Kennzeichnungsschild.....	11
Anschlüsse.....	12
Bezugsnormen.....	12
4.8 Identifizierung des Modells.....	13
5 Vorbereitung des Produktes auf den Gebrauch	14
5.1 Entfernen der Verpackung.....	14
5.2 Inhalt.....	14
5.3 Sichere Entsorgung der Verpackungsmaterialien.....	14
6 Installation	14
6.1 Montageoptionen.....	15
6.1.1 Befestigung an der Brüstung oder an der Decke	16
6.1.2 Wandbefestigung.....	17
6.2 Befestigung des Sonnenschutzdachs	17
6.3 Öffnen des Gehäuses.....	18
6.4 Entfernen des Schlittens	18
6.5 Beschreibung der Gehäuseplatte.....	18
6.6 Anschluss der Stromversorgung	19
6.6.1 Anschluss der Stromversorgung, 24Vac/24Vdc (unverdrahtete Produktausführung).....	19
6.6.2 Anschluss der Stromversorgung, PoE+ (unverdrahtete Produktausführung)	19
6.6.3 Anschluss der Stromversorgung, 24Vac/24Vdc (verdrahtete Produktausführung).....	19
6.6.4 Anschluss der Stromversorgung, PoE+ (verdrahtete Produktausführung).....	19
6.7 Anschluss des Ethernet-Kabels	20
6.7.1 Anschluss des Ethernet-Kabels (verdrahtete Ausführung des Produkts)	20
6.8 Anschluss Erdpotenzialausgleich.....	20
6.9 Schließen des Gehäuses.....	21
7 Einschaltung	22
8 Konfiguration	22
8.1 Vorgegebene IP-Adresse	22

8.2 Web-Schnittstelle	22
8.2.1 Erster Webseitenaufruf	22
9 Wartung	23
9.1 <u>Übliche Wartung</u>	23
9.1.1 <u>Überprüfung der Kabel</u>	23
9.2 <u>Außerordentliche Wartung</u>	23
9.2.1 <u>Wechsel der Sicherungen</u>	23
9.2.2 <u>Auswechseln der Dichtung</u>	24
9.2.3 <u>Factory Default</u>	24
10 Reinigung	25
10.1 <u>Reinigung der Glasfensters</u>	25
10.2 <u>Reinigung des Produktes</u>	25
11 Informationen bezüglich Entsorgung und Recycling	25
12 Problemlösung	26
13 Technische Daten	26
13.1 Mechanik	26
13.2 Kabelverschraubungen	26
13.3 Fenster für Gehäuse	26
13.4 Elektrik	26
13.5 Netzwerk	26
13.6 Kamera	27
13.7 Umgebung	28
13.8 Zertifizierungen	28
13.9 Zertifizierungen - Explosionsgeschützte Anwendungen	28
13.10 Zertifizierungen - Marine-Anwendungen	28
14 Technische Zeichnungen	29

1 Allgemeines

Vor der Installation und Anwendung dieses Produkts ist die gesamte mitgelieferte Dokumentation aufmerksam zu lesen. Zum späteren Nachschlagen das Handbuch in Reichweite aufbewahren.

1.1 Schreibweisen



GEFAHR!

**Explosionsgefahr.
Aufmerksam durchlesen, um
Explosionsrisiken zu vermeiden.**



GEFAHR!

**Erhöhte Gefährdung.
Stromschlaggefahr. Falls nichts
anderes angegeben, unterbrechen
Sie die Stromversorgung, bevor die
beschriebenen Arbeiten durchgeführt
werden.**



ACHTUNG!

**Mittlere Gefährdung.
Der genannte Vorgang hat große
Bedeutung für den einwandfreien Betrieb
des Systems. Es wird gebeten, sich die
Verfahrensweise durchzulesen und zu
befolgen.**



ANMERKUNG

**Beschreibung der Systemmerkmale.
Eine sorgfältige Lektüre wird empfohlen,
um das Verständnis der folgenden Phasen
zu gewährleisten.**

Unterstrichene Titel

**Die Informationen werden von den
Zertifizierungen eingeschränkt.**

2 Anmerkungen zum Copyright und Informationen zu den Handelsmarken

Die angeführten Produkt- oder Firmennamen sind Handelsmarken oder eingetragene Handelsmarken.

ONVIF® ist ein eingetragenes Markenzeichen von Onvif, Inc.

3 Sicherheitsnormen



GEFAHR!

**Explosionsgefahr.
Aufmerksam durchlesen, um
Explosionsrisiken zu vermeiden.**

- Die Geräteinstallation und -wartung muss von spezialisierten Technikern in Übereinstimmung mit der Bezugsnorm anwendbar auf EN/IEC 60079-14, EN/IEC 60079-17 und die nationalen Standards vorgenommen werden.
- Die Einrichtung nicht öffnen, wenn sie Spannung führt oder eine explosionsfähige Atmosphäre herrscht.
- Die Installation mit geeigneten Werkzeugen ausführen. Dennoch kann der Ort, an dem die Vorrichtung installiert wird, den Einsatz von Spezialwerkzeugen erfordern.
- Alle Anschlüsse, die Installations- und Wartungseingriffe in nicht explosionsgefährdeten Bereichen ausführen.
- Der Potenzialausgleich ist verpflichtend, um das Risiko eines Inbrandsetzens für die installierten Produkte in explosionsgefährdeten Umgebungen zu vermeiden.
- Sich vergewissern, bevor das Produkt in explosionsgefährdeter Atmosphäre mit Strom versorgt wird, dass es korrekt geschlossen ist.
- Die Oberflächentemperatur des Gerätes steigt im Falle direkter Sonnenbestrahlung an. Die Klasse der Oberflächentemperatur des Gerätes wurde nur bei Umgebungstemperatur berechnet, ohne die direkte Sonnenbestrahlung zu berücksichtigen.
- Sicherstellen, dass alle Geräte für den Gebrauch im Installationsraum zugelassen sind.
- Jede vom Hersteller nicht ausdrücklich genehmigte Veränderung führt zum Verfall der Gewährleistungsrechte.

**GEFAHR!**

**Erhöhte Gefährdung.
Stromschlaggefahr. Falls nichts
anderes angegeben, unterbrechen
Sie die Stromversorgung, bevor die
beschriebenen Arbeiten durchgeführt
werden.**

- Die Installation und die Wartung ohne Stromversorgung und mit dem Gerät mit offener Trennstelle durchführen.
- Die elektrische Anlage muss mit einem Netztrennschalter versehen sein, der im Bedarfsfall sofort erkannt und gebraucht werden kann.
- Die elektrische Anlage, an der die Einheit angeschlossen ist, muss mit einem automatischen zweipoligen Schutzschalter 10A max ausgestattet sein. Zwischen den Schutzschalter Kontakten muss mindestens ein Abstand von 3mm vorhanden sein. Der Schalter muss mit einer Schutzvorrichtung gegen Überstrom (magnetothermisch) ausgestattet sein.
- Das Gerät ist nur als deaktiviert zu definieren, wenn die Versorgung abgetrennt ist und die Anschlusskabel an andere Vorrichtungen entfernt wurden.
- Es dürfen keine Kabel mit Verschleiß- oder Alterungsspuren verwendet werden.
- Alle Kabel müssen mit IEC60332-1-2, IEC 60332-1-3 und IEC/EN60079-14 übereinstimmen.
- Im Zuge der Installation ist zu prüfen, ob die Merkmale der von der Anlage bereitgestellten Versorgung mit den erforderlichen Merkmalen der Einrichtung übereinstimmen.
- Damit ein ständiger Brandschutz garantiert wird, sind die Sicherungen nur in dem gleichen Typ und Wert zu ersetzen. Die Sicherungen sind nur von Fachleuten zu ersetzen.
- Das Gerät ist für den Gebrauch in Bereichen, an denen sich Kinder aufhalten können, nicht geeignet.

**ACHTUNG!**

**Mittlere Gefährdung.
Der genannte Vorgang hat große
Bedeutung für den einwandfreien Betrieb
des Systems. Es wird gebeten, sich die
Verfahrensweise durchzulesen und zu
befolgen.**

- Sicherstellen, dass die Installation gemäß der lokalen Normen ausgeführt wurde.
- Die Anschlüsse und Labortests sind durchzuführen, bevor vor Ort zu Installation geschritten wird.
- Prüfen Sie, ob die Quelle und das Versorgungskabel sachgerecht bemessen sind.
- Verwenden Sie bitte Kabel, die den Betriebstemperaturen standhalten.
- Alle abgetrennten Kabel müssen elektrisch isoliert sein.
- Das Produkt kann in jeder beliebigen Position installiert werden.
- Vor dem Einschalten der Stromversorgung prüfen, dass das Gerät fest verankert ist.
- Der Hersteller lehnt jede Haftung für Schäden ab, die durch eigenmächtigen Zugriff, die Verwendung nicht originaler Ersatzteile sowie die Installation, Wartung oder Reparatur sämtlicher in diesem Handbuch genannter Geräte durch nicht fachkundige Personen entstehen.
- Nur Originalersatzteile VIDEOTEC verwenden. Den jedem Ersatzkit anhängenden Wartungsanweisungen strikt Folge leisten.
- Für Kundendiensteingriffe wenden Sie sich ausschließlich an autorisiertes technisches Personal.
- Die Reparatur dieses Produktes muss vorschriftsgemäß von entsprechendem ausgebildetem Personal oder unter der Aufsicht von Personal der Firma VIDEOTEC ausgeführt werden: IEC/EN60079-19.
- Die Anlage gehört zum Typ TNV-1. Nicht an Kreisläufe SELV anschließen.
- Achtsam mit dem Produkt umgehen, um versehentliche Kontakte sowie schneidende Kanten und Ecken zu vermeiden.

**ANMERKUNG****Beschreibung der Systemmerkmale.**

Eine sorgfältige Lektüre wird empfohlen, um das Verständnis der folgenden Phasen zu gewährleisten.

- Vor der Installation ist anhand des Kennzeichnungsschildes nachzuprüfen, ob das gelieferte Material die gewünschten Eigenschaften.
- Das Gerät ist für eine Installation in einem Bereich mit beschränktem Zugang für spezialisierte Techniker vorgesehen.
- Der Hersteller lehnt jede Haftung für eventuelle Schäden ab, die aufgrund unsachgemäßer Anwendung der in diesem Handbuch erwähnten Geräte entstanden ist. Ferner behält er sich das Recht vor, den Inhalt ohne Vorkündigung abzuändern. Die Dokumentation in diesem Handbuch wurde sorgfältig ausgeführt und überprüft. Der Hersteller kann dennoch keine Haftung für die Verwendung übernehmen. Dasselbe gilt für jede Person oder Gesellschaft, die bei der Schaffung oder Produktion von diesem Handbuch miteinbezogen ist.
- Da der Benutzer für die Auswahl der Verankerungsoberfläche der Einheit verantwortlich ist, liefert der Hersteller die Befestigungsvorrichtungen für die Verankerung der Einheit auf der Oberfläche nicht mit. Der Installateur ist für die Auswahl der für die zur Verfügung stehende Oberfläche geeigneten Vorrichtungen verantwortlich. Wir empfehlen die Verwendung von Methoden und Materialien, die in der Lage sind, einem Gewicht standzuhalten, dass 4 Mal größer als das Gewicht des Gerätes ist.
- Für jegliche Wartungsarbeiten wird empfohlen, das Produkt für die notwendigen Arbeiten in die Werkstatt zu bringen.
- Dies ist ein Produkt der Klasse A. Dieses Produkt kann im Wohnbereich Funkstörungen verursachen. In diesem Fall kann vom Betreiber verlangt werden, angemessene Maßnahmen durchzuführen.
- Um die Vorschriften über Spannungseinbrüche und -abschaltungen einzuhalten, benutzen Sie bitte eine unterbrechungsfreie Stromversorgung (UPS).
- Das Gerät muss von einer PS2-Energiequelle versorgt werden
- Zur Spannungsversorgung des Produktes verwenden Sie bitte einen Sicherheitstransformator und / oder eine isolierte Gleichspannungsquelle mit sachgerechten Merkmalen. Die Werte der Spannungsversorgung am Ausgang dürfen die nachstehenden Werte nicht überschreiten. Versorgungsspannung: 24Vac ($\pm 10\%$) oder 24Vdc ($\pm 5\%$).
- Im Falle einer Stromversorgung mit 24 Vac muss eine ausreichende Trennung von der AC-Speiseleitung vorgesehen werden und eine doppelte oder verstärkte Isolierung zwischen der Hauptversorgungsleitung und dem Sekundärkreis hergestellt werden.

4 Beschreibung und Bezeichnung des Produktes

DE - Deutsch - Bedienungsanleitung
Das explosionsgeschützte Gehäuse MMX ist für Installationen in explosionsgefährdeten Umgebungen aus kugelgestrahltem und elektrolytiertem rostfreiem Stahl AISI 316L entwickelt worden. Das Gehäuse kann mit 24Vac, 24Vdc oder über ein Ethernetkabel (PoE+) versorgt werden. Das Gehäuse ist mit einem Eingang 1/2" NPT ausgestattet. Das Gehäuse MMX verfügt über die Schutzart IP66/IP68/IP69. Sie kann je nach Klasse in einer Umgebung mit Temperaturen installiert werden, die sich in einem Bereich von -40°C bis +70°C bewegen.

4.1 Produktübersicht

Nachfolgend werden die Hauptkomponenten des Produkts angegeben.

01. Befestigungshalterung.
02. Verstärkungshalterung.
03. Gehäusehalterung.
04. Abstandsstück.
05. M8x80 Schraube.
06. Sonnenschutzdach.
07. Gehäuse.

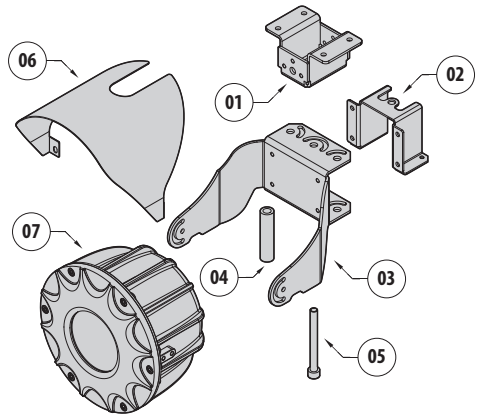


Abb. 1

4.2 Benutzerfeld

Die Einheit ist für den Gebrauch an einem festen Ort für die Überwachung eines potenziell explosionsgefährdeten Bereichs, 1-21 oder 2-22 klassifiziert, realisiert worden.

Die Einheit wurde gemäß der Richtlinie 2014/34/UE und den internationalen Standards IECEx, die den Anwendungsbereich und die Sicherheitsmindestanforderungen festsetzen, hergestellt und zertifiziert.

4.3 Spezifische Anwendungsbedingungen

Die Außenoberfläche des Produkts darf niemals mit mehr als 5 mm Staub bedeckt sein.

Um die elektrostatische Aufladung während der Reinigung zu vermeiden, muss das Gerät mit einem feuchten Tuch gereinigt werden.

Die zu installierenden Videokameras dürfen nicht elektromagnetisch sein oder Laser, Quellen für kontinuierliche Wellen oder Ausrüstungen, die Ultraschallenergie ausstrahlen, enthalten.

Die installierbaren Videokameras dürfen keine Batterien enthalten.

Die Videokameras müssen geometrische Grundformen aufweisen.

Umgebungstemperatur und Oberflächentemperatur - siehe Anleitungen.

Den Hersteller für Informationen zu den Abmessungen der flammensicheren Verbindung kontaktieren.

4.4 Gasgruppen, Staub- und Temperaturgruppe

Das Gerät ist für die Gruppe IIB (Gas) und die Gruppe IIIC (Stäube) zertifiziert.

Umgebungstemperatur: -40°C/+65°C oder +70°C.

TEMPERATURKLASSEN	MAXIMALE UMGEBUNGSTEMPERATUR
T6 / T85°C	+65°C
T5 / T100°C	+70°C

Tab. 1

4.5 Kabeleingang

Alle Kabeldurchführungen müssen eine geeignete Ex-Zertifizierung haben. Sie müssen eine explosionsgeschützte Schutzart "db" und "tb" haben, für den Gebrauch geeignet und korrekt installiert sein.

Wenn die Leitung gebraucht wird, muss ein Klemmverbindungsstück verwendet werden, das eine geeignete Ex-Zertifizierung hat. Es muss eine explosionsgeschützte Schutzart "db" und "tb" haben, für den Gebrauch geeignet und korrekt installiert sein.

Der Sperranschluss darf nicht weiter als 50mm (1.97in) von der Vorrichtung angebracht sein.

Die Kabeleingangstemperaturen werden bei der Kennzeichnung spezifiziert.

Um die IP-Schutzart des Produkts beizubehalten, Kabeldurchführungen mit geeigneter Schutzart verwenden und an den Gewinden eine Dichtungsmasse in Übereinstimmung mit IEC/ EN60079-14 verwenden.

4.6 Schildchen mit Produktkennzeichnung



Abb. 2

1. Nummer der akkreditierten Stelle, die die Bewertung der Qualität liefert.
2. Name und Adresse des Herstellers.
3. Modell.
4. Umgebungsbetriebstemperatur.
5. Die Seriennummer setzt sich aus 12 numerischen Zeichen zusammen. Die zweite und dritte Ziffer bestimmen die letzten beiden Zahlen des Baujahrs.
6. Elektrische Eigenschaften (Spannung V, Frequenz Hz, Strom A, Leistung W).
7. Typ, Abmessung und Anzahl Kabeleingänge
8. ATEX-Kennzeichnung. Die Temperaturklasse ist abhängig von der im Inneren installierten Elektronik und der Umgebungstemperatur.
9. IECEx-Kennzeichnung. Die Temperaturklasse ist abhängig von der im Inneren installierten Elektronik und der Umgebungstemperatur.
10. Hinweis.
11. Schutzart IP.

4.7 Nur für Standardbezugnahme auf UL/CSA



Die flammensicheren Verbindungen dürfen nicht repariert werden.



In den Vereinigten Staaten wird der National Electrical Code (NEC) und in Kanada der Canadian Electrical Code (CEC) auf die in gefährlichen Industrieumgebungen verwendeten elektrischen Geräte angewandt. Diese Codes enthalten die Installationsanforderungen der Elektroanlagen in allen Bereichen und beziehen sich auf eine Reihe von weiteren Standards anderer Einrichtungen mit den Spezifikationen für die Konstruktion und die Installation von geeigneten Geräten.

Wichtige Hinweise für die Sicherheit

WARNING: A SEAL SHALL BE INSTALLED WITHIN 50 mm OF THE ENCLOSURE.

AVERTISSEMENT: UN SCÉLÈMENT DOIT ÊTRE INSTALLÉ À MOINS DE 50 mm DU BOÏTIER.

WARNING: "CABLE ENTRY AND BRANCHING POINT IS 83.2°C AT +65°C AMBIENT AND 88.2°C AT +70°C AMBIENT. USE SUITABLE CABLE AND CABLE GLANDS".

AVERTISSEMENT: LA TEMPÉRATURE DE L'ENTRÉE DE CÂBLE ET DU POINT DE BRANCHEMENT EST DE 83.2°C JUSQU'À + 65°C AMBIANT ET DE 88.2°C JUSQU'À + 70°C AMBIANT. UTILISEZ LE CÂBLE ET LES PRESSE-ÉTOUPES APPROPRIÉS.

WARNING: DO NOT OPEN WHEN EXPLOSIVE ATMOSPHERE IS PRESENT.

AVERTISSEMENT - NE PAS OUVRIR EN PRÉSENCE D'UNE ATMOSPHÈRE EXPLOSIVE

WARNING: POTENTIAL ELECTROSTATIC CHARGING HAZARD – SEE INSTRUCTIONS.

AVERTISSEMENT - DANGER POTENTIEL DE CHARGES ÉLECTROSTATIQUES - VOIR INSTRUCTIONS

Kennzeichnungsschild



Abb. 3

NEMA Types: TYPE 4X, TYPE 6P

Anschlüsse



Die Wahl des Anschlusses muss mit den geltenden lokalen Normen übereinstimmen.

Kabelverschraubungen: Auswahl einer Kabeldurchführung in Übereinstimmung mit UL2225 mit folgender Schutzart AEx d IIC und C22.2 mit folgender Schutzart Ex d IIC in Übereinstimmung mit der Produktkennzeichnung.

Leitung: Es muss ein Gerät mit einer Undurchlässigkeit bis 50mm am Produkteingang installiert werden, wenn die Leitung verwendet wird.

Bezugsnormen

UL 60950-1, 2nd Edition, 2019-05-09 (Information Technology Equipment - Safety - Part 1: General Requirements)

CAN/CSA C22.2 No. 60950-1-07, 2nd Edition, 2014-10 (Information Technology Equipment - Safety - Part 1: General Requirements)

UL 62368-1, 2nd Ed, 2014-12-01 (Audio/video, information and communication technology equipment Part 1: Safety requirements)

CAN/CSA C22.2 No. 62368-1-14, 2nd Ed, Issued: 2014-12-01 (Audio/video, information and communication technology equipment Part 1: Safety requirements)

UL 60079-0, 7th Edition, Explosive atmospheres - Part 0: Equipment - General requirements

UL 60079-1, 7th Edition, Explosive Atmospheres - Part 1: Equipment Protection by Flameproof Enclosures "d"

UL 60079-31, 2nd Edition, Explosive Atmospheres - Part 31: Equipment Dust Ignition Protection by Enclosure "t"

CSA C22.2 No. 60079-0:19, Explosive atmospheres - Part 0: Equipment - General requirements

CSA C22.2 No. 60079-1:16, Explosive Atmospheres - Part 1: Equipment Protection by Flameproof Enclosures "d"

CSA C22.2 No. 60079-31:15, Explosive Atmospheres - Part 31: Equipment Dust Ignition Protection by Enclosure "t"

4.8 Identifizierung des Modells

MAXIMUS MMX - KONFIGURATIONSOPTIONEN					
	Strom-Versorgung	Kamera	Anschlüsse	Video Ausgang	Profil ONVIF
MMX	2 24Vdc/ 24Vac, PoE+	4 Kamera Day/Night 3X Zoom, FullHD	0 Ohne Kabel, ohne Kabeldurchführung	Z IP	A In Übereinstimmung mit ONVIF, Profil Q, Profil S und Profil T
		D Kamera Day/Night 10X Zoom, FullHD	A Kabelschelle Ex d 1/2" NPT und armiertes Kabel 4m		J In Übereinstimmung mit ONVIF, Profil S und Profil T
			B Kabelschelle Ex d 1/2" NPT und armiertes Kabel 10m		

Tab. 2

MAXIMUS MMX - ZERTIFIZIERUNGEN UND KENNZEICHNUNGEN (MIT KABEL)			
Zertifizierung	Kennzeichnung	Umgebungstemperatur	Kabeleingangstemperatur
ATEX	⊕ II 2 G Ex db IIB T6...T5 Gb ⊕ II 2 D Ex tb IIIC T85°C...T100°C Db	-40°C ≤ Ta ≤ +65°C or +70°C	+83.2°C mit Ta ≤ +65°C +88.2°C mit Ta ≤ +70°C
IECEx	Ex db IIB T6...T5 Gb Ex tb IIIC T85°C...T100°C Db		
EAC Ex	1Ex db IIB T6...T5 Gb X Ex tb IIIC T85°C...T100°C Db X		
INMETRO	Ex db IIB T6...T5 Gb Ex tb IIIC T85°C...T100°C Db		
UK Ex	⊕ II 2 G Ex db IIB T6...T5 Gb ⊕ II 2 D Ex tb IIIC T85°C...T100°C Db		

Tab. 3

MAXIMUS MMX - ZERTIFIZIERUNGEN UND KENNZEICHNUNGEN (OHNE KABEL)			
Zertifizierung	Kennzeichnung	Umgebungstemperatur	Kabeleingangstemperatur
ATEX	⊕ II 2 G Ex db IIB T6...T5 Gb ⊕ II 2 D Ex tb IIIC T85°C...T100°C Db	-40°C ≤ Ta ≤ +65°C or +70°C	+83.2°C mit Ta ≤ +65°C +88.2°C mit Ta ≤ +70°C
IECEx	Ex db IIB T6...T5 Gb Ex tb IIIC T85°C...T100°C Db		
EAC Ex	1Ex db IIB T6...T5 Gb X Ex tb IIIC T85°C...T100°C Db X		
KCs	Ex db IIB T6...T5 Gb Ex tb IIIC T85°C...T100°C Db		
INMETRO	Ex db IIB T6...T5 Gb Ex tb IIIC T85°C...T100°C Db		
Hazardous Location America	Class I, Zone 1, AEx db IIB T6...T5 Gb Zone 21, AEx tb IIIC T85°C...T100°C Db Class I, Div 2 Group C, D T6...T5 Class II, Div 2, Group F and G T6...T5		
Hazardous Location Canada	Ex db IIB T6...T5 Gb X Ex tb IIIC T85°C...T100°C Db X Class I, Div 2 Group C, D T6...T5 Class II, Div 2, Group F and G T6...T5		
UK Ex	⊕ II 2 G Ex db IIB T6...T5 Gb ⊕ II 2 D Ex tb IIIC T85°C...T100°C Db		

Tab. 4

5 Vorbereitung des Produktes auf den Gebrauch



Bevor Arbeiten durchgeführt werden, muss das Kapitel "Sicherheitsnormen" in diesem Handbuch genau gelesen werden.

5.1 Entfernen der Verpackung

Bei der Lieferung des Produktes ist zu prüfen, ob die Verpackung intakt ist oder offensichtliche Anzeichen von Stürzen oder Abrieb aufweist.

Bei offensichtlichen Schadensspuren an der Verpackung muss umgehend der Lieferant verständigt werden.

Im Falle der Rückgabe des nicht korrekt funktionierenden Produktes empfiehlt sich die Verwendung der Originalverpackung für den Transport.

Bewahren Sie die Verpackung auf für den Fall, dass das Produkt zur Reparatur eingesendet werden muss.

5.2 Inhalt

Prüfen Sie, ob der Inhalt mit der nachstehenden Materialliste übereinstimmt:

- Flameproof Gehäuse
- Ersatzteilkit O-Ring
- Halterung- Kit
- Bedienungsanleitung

5.3 Sichere Entsorgung der Verpackungsmaterialien

Die Verpackungsmaterialien sind vollständig wiederverwertbar. Es ist Sache des Installationstechnikers, sie getrennt, auf jeden Fall aber nach den geltenden Vorschriften des Anwendungslandes zu entsorgen.

6 Installation



Bevor Arbeiten durchgeführt werden, muss das Kapitel "Sicherheitsnormen" in diesem Handbuch genau gelesen werden.

Wir empfehlen, ausschließlich Bügel und Zubehör zu verwenden, die für die Installation geeignet sind.

6.1 Montageoptionen



Die Achse der M8-Schraube muss sich immer in einer vertikalen Position befinden.

Die im Lieferumfang enthaltenen Bügel ermöglichen die Produktinstallation in den nachfolgend angegebenen Positionen.

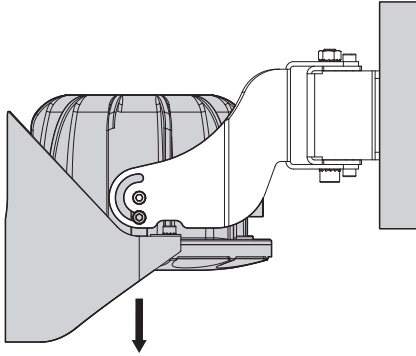


Abb. 4 Beispiel Wandmontage, Vertikale Drehung, -90° .

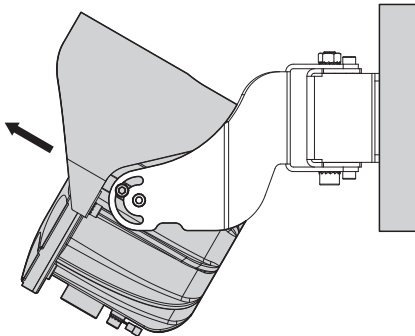


Abb. 5 Beispiel Wandmontage, Vertikale Drehung, $+30^\circ$.

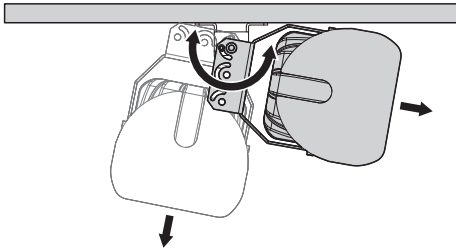


Abb. 6 Beispiel Wandmontage, Horizontale Drehung, von 26° bis zu 80° .

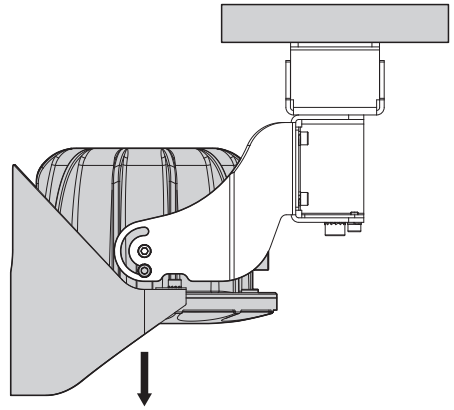


Abb. 7 Beispiel Deckenmontage, Vertikale Drehung, -90° .

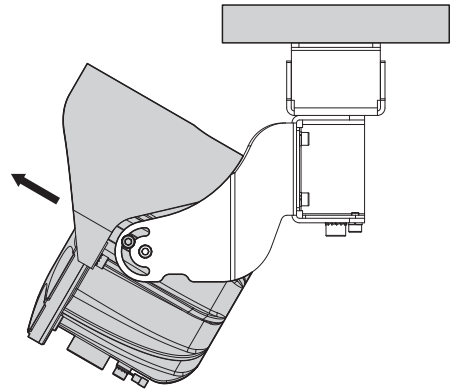


Abb. 8 Beispiel Deckenmontage, Vertikale Drehung, $+30^\circ$.

6.1.1 Befestigung an der Brüstung oder an der Decke

Das Produkt ist für die Montage am Geländer oder an der Decke geeignet.

Die Befestigungshalterung (01) auf der Oberfläche des endgültigen Zielpunkts festmachen.

Schrauben festziehen.

Die Verstärkungshalterung (02) an die Gehäusehalterung (03) mit den im Lieferumfang enthaltenen M5-Schrauben und den 5 Unterlegscheiben montieren. Die 2 so montierten Halterungen an der Befestigungshalterung (01) mit der M8-Schraube (05), der gezahnten Unterlegscheibe (8) und dem entsprechenden Abstandsstück (04) festmachen. Wenn einmal die Endposition des Produkts festgelegt wurde, die M8-Schraube (05) mit Drehmoment festziehen und die M5-Schraube (08) zum Blockieren der Rotation befestigen.

Das an das Gehäuse angeschlossene Kabel könnte sperrig sein. Durch Demontage des Sonnenschutzdachs kann das Gehäuse um 180° gedreht werden (6.2 Befestigung des Sonnenschutzdachs, Seite 17).

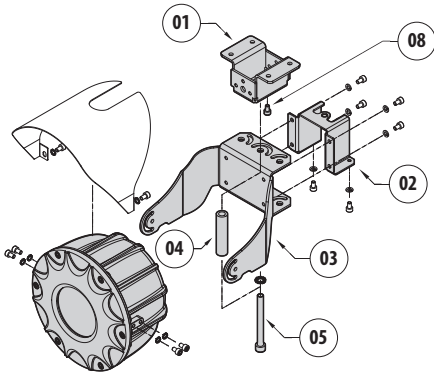


Abb. 9 Deckenbefestigung (Gehäuse in Normalposition).

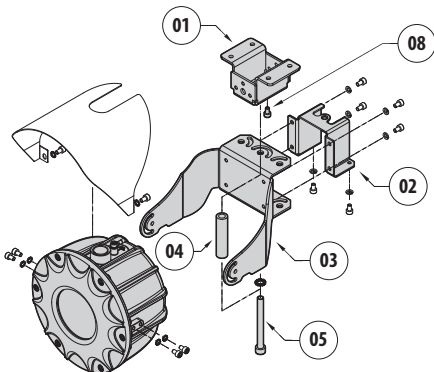


Abb. 10 Deckenbefestigung (Gehäuse in Kippposition).

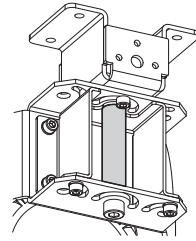


Abb. 11 Rückansicht der vervollständigten Montage.

Die Befestigung am Geländer oder an der Decke variiert je nach Position der Befestigungshalterung.

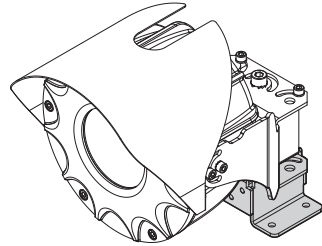


Abb. 12 Befestigung an der Brüstung.

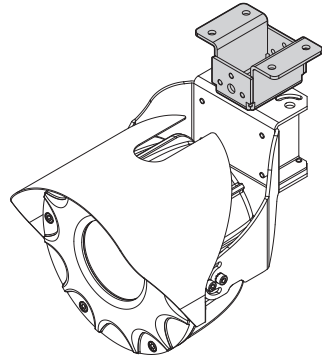


Abb. 13 Deckenbefestigung.



Auf die Befestigung achten.

Anzugsdrehmoment: M5-Schrauben, 9Nm (±0.5Nm). M8 Schraube, 16.5Nm (±0.5Nm).

6.1.2 Wandbefestigung

Das Produkt ist für die Wandmontage geeignet.

Die Befestigungshalterung (01) auf der Oberfläche des endgültigen Zielpunkts festmachen.

Schrauben festziehen.

Die Gehäusehalterung (03) an der Befestigungshalterung (01) mit der M8-Schraube (05), den Unterlegscheiben und der Mutter montieren. Nachdem die Endposition des Produkts einmal festgelegt wurde, die M8-Schraube (05) mit Drehmoment festziehen und die M5-Schrauben (08) zum Blockieren der Rotation befestigen.

Das an das Gehäuse angeschlossene Kabel könnte sperrig sein. Durch Demontage des Sonnenschutzdachs kann das Gehäuse um 180° gedreht werden (6.2 Befestigung des Sonnenschutzdachs, Seite 17).

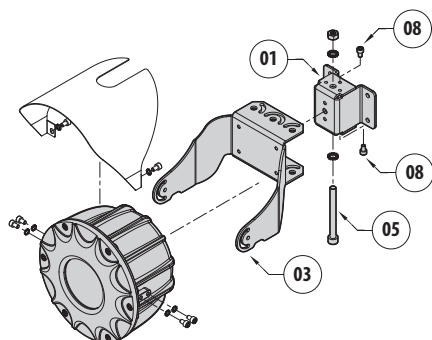


Abb. 14 Gehäuse in Normalposition.

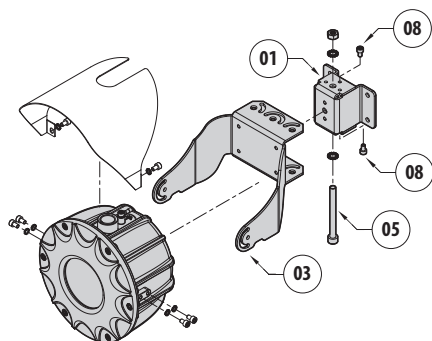


Abb. 15 Gehäuse in Kippposition.

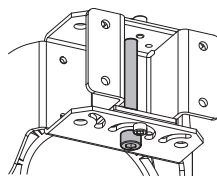


Abb. 16 Rückansicht der vervollständigten Montage.

⚠ Auf die Befestigung achten.
Anzugsdrehmoment: M5-Schrauben, 9Nm (±0.5Nm). M8 Schraube, 16.5Nm (±0.5Nm).

6.2 Befestigung des Sonnenschutzdachs

Das Produkt wird mit dem bereits installierten Sonnenschutzdach geliefert.

Zu Installations- und Wartungszwecken kann das Sonnenschutzdach abmontiert werden. Die Schrauben des Sonnenschutzdachs lösen und das Sonnenschutzdach entfernen.

Das Sonnenschutzdach erneut montieren, bevor das Gehäuse an die Gehäusehalterung befestigt wird.

⚠ Auf die Befestigung achten.
Anzugsdrehmoment: 6Nm (±0.5Nm).

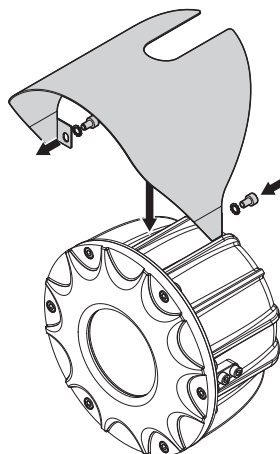


Abb. 17

6.3 Öffnen des Gehäuses



Bevor Arbeiten durchgeführt werden, muss das Kapitel "Sicherheitsnormen" in diesem Handbuch genau gelesen werden.

Die Verschlusschrauben lösen und den Frontdeckel vom Gehäusekorpus entfernen.

Merkmale der Schrauben

- Durchmesser/Schraubengang: M5x0.8
- Material: A4
- Schraubenkopf: ISO 4762
- Länge: 8mm
- Fließspannung (min): 450N/mm²

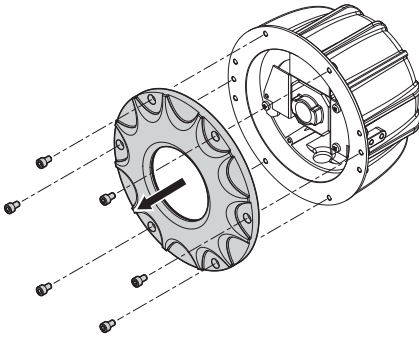


Abb. 18

6.4 Entfernen des Schlittens

Die 3 M4 Kreuzschrauben lösen, um den Schlitten zu entnehmen. Vor Entnahme des Schlittens, die Verkabelungen überprüfen, dass diese nicht mit der Schelle befestigt wurden.

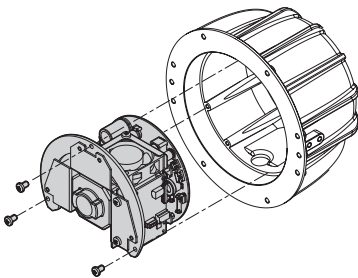


Abb. 19

6.5 Beschreibung der Gehäuseplatine

BESCHREIBUNG DER PLATINE

Verbinder/ Klemme	Funktion
J1	Stromversorgung (24Vac/24Vdc)
J4	Heizung
J5	Platinentest
J6	Lüfter
J7	Anschluss an den Video-Encoder
J8	Ethernet, Versorgung PoE+
F1	Sicherung
SW1	Reset-Dipschalter

Tab. 5

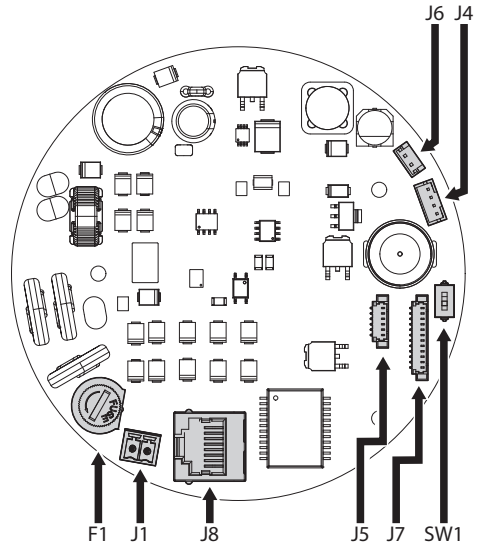


Abb. 20

6.6 Anschluss der Stromversorgung

6.6.1 Anschluss der Stromversorgung, 24Vac/24Vdc (unverdrahtete Produktausführung)

⚠️ Prüfen Sie, ob die Quelle und das Versorgungskabel sachgerecht bemessen sind.

ⓘ Die an der Versorgungsklemme angewandte Spannungspolarität ist irrelevant.

ANSCHLUSS DER STROMVERSORGUNG		
Stromversorgung 24Vac/24Vdc		
Farbe	Klemmen	Kabelquerschnitt
Vom Installateur festgelegt.	~/+	von 0.14mm ² (28AWG) bis zu 1.5mm ² (16AWG)
Vom Installateur festgelegt.	~/-	von 0.14mm ² (28AWG) bis zu 1.5mm ² (16AWG)

Tab. 6

EIGENSCHAFTEN DER KABEL		
Kabelquerschnitt	Versorgungsspannung	Maximale Kabellänge
1.5mm ² (16AWG)	24Vdc	20m
	24Vac	40m

Tab. 7

⚠️ Ferner muss das Versorgungskabel von einer Silikonummantelung (01) überzogen sein, die im Lieferumfang enthalten ist. Die Silikonummantelung soll mit dem zugehörigen Binder fixiert werden (02).

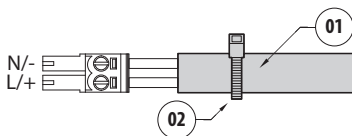


Abb. 21

Die Versorgungskabel sind an der Stromversorgungsklemme der Gehäuseplatine anzuschließen (J1, 6.5 Beschreibung der Gehäuseplatine, Seite 18).

6.6.2 Anschluss der Stromversorgung, PoE+ (unverdrahtete Produktausführung)

Das Produkt kann mittels PoE+-Vorrichtungen (Power over Ethernet) versorgt werden, die mit dem internationalen Standard bzgl. der technologischen Information IEEE 802.3at übereinstimmen. Hierzu ein Ethernet-Datenkabel der Kategorie 5E verwenden.

ⓘ Höchstlänge des Ethernetkabels (Kategorie 5E): 100m.

Die PSE-Vorrichtungen (Power Sourcing Equipment), die sich für die Versorgung des Produkts eignen, müssen mit dem Standard IEEE 802.3at (PoE+) übereinstimmen.

Das Ethernet-Kabel ist an den Steckverbinder RJ45 der Gehäuseplatine anzuschließen (J8, 6.5 Beschreibung der Gehäuseplatine, Seite 18).

⚠️ Das Abschirmgeflecht des Ethernetkabels muss über den Steckverbinder geerdet sein. Verwenden Sie stets einen geschirmten Steckverbinder RJ45.

Die Anschlüsse nach den Angaben in der Tabelle vornehmen (standardgerecht: TIA/EIA-568-B).

ANSCHLUSS DES ETHERNET-KABELS	
Nummer des Pins	Farbe der Seele
1	Orange-Weiß
2	Orange
3	Grün-Weiß
4	Blau
5	Blau-Weiß
6	Grün
7	Braun-Weiß
8	Braun

Tab. 8

6.6.3 Anschluss der Stromversorgung, 24Vac/24Vdc (verdrahtete Produktausführung)

Die Anschlüsse nach den Angaben in der Tabelle vornehmen.

ANSCHLUSS DER STROMVERSORGUNG (24VAC/24VDC)		
Farbe	Funktion	Kabelquerschnitt
Schwarz 1	~/+	1.5mm ² (16AWG)
Schwarz 2	~/-	1.5mm ² (16AWG)

Tab. 9

6.6.4 Anschluss der Stromversorgung, PoE+ (verdrahtete Produktausführung)

Das Produkt kann direkt an einen Ethernet-Switch, der über einen Port PoE+ (Konfiguration End-Span) verfügt, oder an einen klassischen Ethernet-Switch über einen PoE Injector (Konfiguration Mid-Span) angeschlossen werden.

6.7 Anschluss des Ethernet-Kabels



Das Abschirmgeflecht des Ethernetkabels muss über den Steckverbinder geerdet sein. Verwenden Sie stets einen geschirmten Steckverbinder RJ45.

Ethernetkabel mit folgenden Eigenschaften verwenden:

- STP (geschirmt)
- Kategorie 5E
- Mindestquerschnitt des Kabels: 0.22mm^2 (24AWG).

Für weitere Infos bitte entsprechendes Kapitel beachten (6.6.2 Anschluss der Stromversorgung, PoE+ (unverdrahtete Produktausführung), Seite 19).

6.7.1 Anschluss des Ethernet-Kabels (verdrahtete Ausführung des Produkts)

Das Produkt kann direkt an einen Ethernet-Switch angeschlossen werden.

Eine typische Installation zeigt das nachstehende Beispiel.

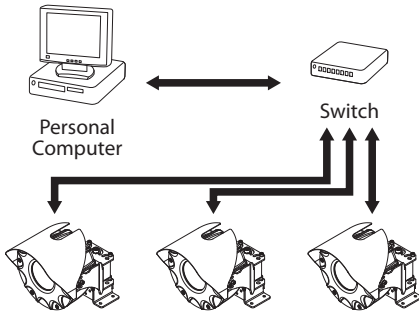


Abb. 22

6.8 Anschluss Erdpotenzialausgleich

Der Anschluss des Erdpotenzialausgleichs muss durch ein externes Kabel mit 4mm^2 (11AWG) Mindestquerschnitt vorgenommen werden.

Das Kabel für den Anschluss des Erdpotenzialausgleichs mit dem zum Lieferumfang gehörenden Ringkabelschuh verbinden (geeignet für Kabel mit einem Querschnitt von 4mm^2 (11AWG) bis 6mm^2 (9AWG)).

Die Öse mit der im Lieferumfang enthaltenen M5 Schraube und der gezahnten Unterlegscheibe befestigen.

Eigenschaften der Schraube M5:

- Material: A4
- Schraubenkopf: ISO 4762
- Länge: 8mm
- Fließspannung (min): 450N/mm^2



ACHTUNG! Die externen Anschlüsse für den Potenzialausgleich müssen mithilfe der Öse außen am Produkt vorgenommen werden. Nicht als Schutzklemme benutzen.

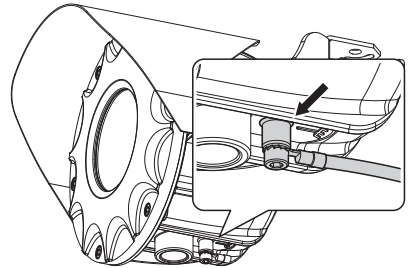


Abb. 23

6.9 Schließen des Gehäuses

! Sicherstellen, dass die Funktionstüchtigkeit des Systems positiven Ausgang hat, bevor man das Gehäuse schließt und das Gerät in explosionsgefährdeten Bereichen verwendet.

! Während der Öffnungs- und Schließvorgänge des Produkts ist darauf zu achten, dass die flammensichere Verbindung dadurch nicht unbrauchbar wird.

! Vor dem Schließen des Frontdeckels, überprüfen, ob der O-Ring intakt ist. Falls die Dichtung beschädigt ist, muss sie durch die mitgelieferte ersetzt werden.

Sicherstellen, dass kein Schmutz oder Rückstände vorhanden sind.

Die Kabel so richten, dass es beim Verschließen des Frontdeckels zu keinen Interferenzen kommt. Um ein Reißen an den Kabeln zu vermeiden, befindet sich unter dem Schlitten ein Loch für eine Befestigungsschelle.

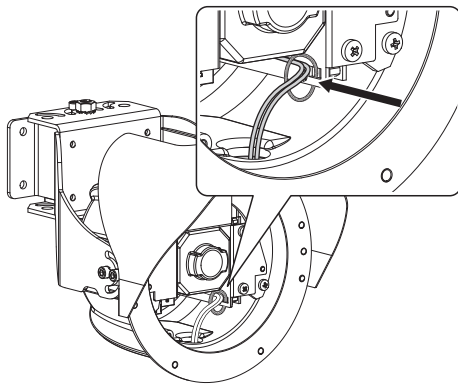


Abb. 24

Den Frontdeckel im Gehäusekorpus einsetzen. Hierzu die Verschlusslöcher zwischen Deckel und Korpus angleichen.

! Darauf achten, die O-Ring-Dichtung nicht zu beschädigen.

Die zuvor entfernten Schrauben anschrauben.

Merkmale der Schrauben

- Durchmesser/Schraubengang: M5x0.8
- Material: A4
- Schraubenkopf: ISO 4762
- Länge: 8mm
- Fließspannung (min): 450N/mm²

! Auf die Befestigung achten. Anzugsdrehmoment: 9Nm (± 0.5 Nm).

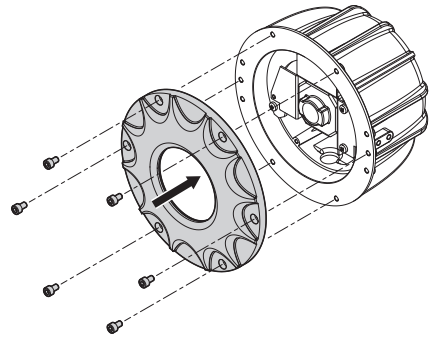


Abb. 25

7 Einschaltung



Sich vergewissern, dass die Einheit und die anderen Komponenten der Anlage in geeigneter Weise geschlossen sind, um den Kontakt mit den spannungsführenden Teilen zu verhindern.



Vergewissern Sie sich, dass alle Teile fest und zuverlässig befestigt sind.



Der automatische Vorheizvorgang (De-Ice) könnte immer dann aktiviert werden, wenn das Gerät bei einer Umgebungstemperatur von unter -10°C in Betrieb genommen wird. Dieser Vorgang ist notwendig, um die korrekte Funktionalität der Vorrichtung auch bei niedrigen Temperaturen zu gewährleisten. Dauer des Vorheizvorgangs: 60 Minuten.

Für das Einschalten der Einheit die elektrische Versorgung anzulegen.

Die Einheit benötigt nach dem Einschalten einige Minuten, um vollständig betriebsbereit zu sein.

Die elektrische Versorgung abtrennen, um die Einheit abzuschalten.

8 Konfiguration

8.1 Vorgegebene IP-Adresse



Die Einheit ist konfiguriert, um eine IP-Adresse von einem DHCP-Server zu erhalten.

Die über DHCP erhaltene IP-Adresse ist in der Logdatei des DHCP-Servers sichtbar.

Sollte der DHCP nicht verfügbar sein, dann nimmt die Einheit die Konfiguration automatisch mit einer selbst generierten IP-Adresse im Subnetz 169.254.x.x/16 vor. Die IP-Adresse des PC als zum selben Subnetz gehörend konfigurieren (Beispiel: IP-Adresse: 169.254.1.1, subnet mask: 255.255.0.0).

Zur erneuten Suche der IP-Adresse des Geräts ein mit ONVIF oder einem Netzwerk-Sniffer kompatibles VMS verwenden (IP scan utility).

8.2 Web-Schnittstelle

8.2.1 Erster Webseitenaufruf

Der erste Schritt zur Konfiguration der Einrichtung ist die Verbindung mit seiner Web-Schnittstelle.

Um auf die Webschnittstelle des Produkts zuzugreifen, genügt es, eine Verbindung über den Browser mit der Adresse herzustellen: `http://IP Adresse` herzustellen.

Beim ersten Zugriff wird die Startseite angezeigt.

Für die Konfiguration der Webschnittstelle das für die installierte Firmware-Version entsprechende Handbuch heranziehen. Es ist auf der Webseite des Produkts unter www.videotec.com erhältlich.

9 Wartung

⚠ **Bevor Arbeiten durchgeführt werden, muss das Kapitel "Sicherheitsnormen" in diesem Handbuch genau gelesen werden.**

9.1 Übliche Wartung

Wenn der Kundendienst von VIDEOTECH kontaktiert wird, muss die Seriennummer zusammen mit dem Identifizierungscode des Modells.

9.1.1 Überprüfung der Kabel

Die Kabel dürfen keine gefahrenträchtigen Verschleiß- oder Alterungsspuren zeigen. In diesem Fall muss eine Wartung an den Kabeln erfolgen.

9.2 Außerordentliche Wartung

9.2.1 Wechsel der Sicherungen

⚠ **ACHTUNG! Um den Schutz gegen das Brandrisiko zu gewährleisten, die Sicherung mit demselben Typ und Wert austauschen. Die Schmelzsicherung darf nur von Fachpersonal ausgetauscht werden.**

i **Um die Zertifizierung cULus Listed beizubehalten, muss die Sicherung UL Listed sein (OMEGA GT520221, BUSSMAN S506).**

Die benutzte Schmelzsicherung ist wie folgt beschrieben.

SICHERUNG AUSTAUSCHEN

Versorgungsspannung	Sicherung (F1)
24Vac, 50/60Hz	T 2A H 250V 5x20
24Vdc	

Tab. 10

Alternativ eine Sicherung mit den gleichen Merkmalen verwenden.

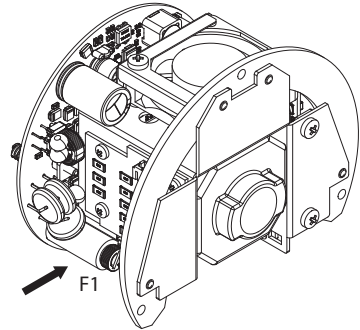


Abb. 26

9.2.2 Auswechseln der Dichtung

Den O-Ring des Produkts mit der im Lieferumfang enthaltenen Dichtung ersetzen.

Den Deckel, wie in den vorangegangenen Kapiteln beschrieben, öffnen und schließen.

Den O-Ring austauschen und dabei darauf achten, ihn korrekt zu positionieren.

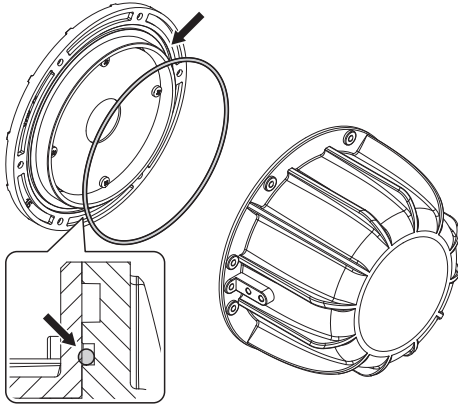


Abb. 27

9.2.3 Factory Default

Die werkseitigen Anfangseinstellungen lassen sich wiederherstellen.

Das Ergebnis der Factory-Default-Prozedur entspricht dem über die Webschnittstelle erhaltenem Ergebnis (Web Interface Bedienungsanleitungen, Werkzeuge Seite, Hard-Resetknopf).

Die folgende Prozedur ausführen:

- Die Stromversorgung der Einheit trennen.
- Das Gehäuse öffnen und den Schlitten entfernen.
- Den Reset-Dipschalter auf ON stellen (SW1, 6.5 Beschreibung der Gehäuseplatte, Seite 18).
- Den Schlitten wieder einsetzen und das Gehäuse schließen.
- Die Einheit mit Strom versorgen. 2 Minuten warten.
- Die Stromversorgung der Einheit trennen.
- Das Gehäuse öffnen und den Schlitten entfernen.
- Den Reset-Dipschalter auf OFF stellen (SW1, 6.5 Beschreibung der Gehäuseplatte, Seite 18).
- Den Schlitten wieder einsetzen und das Gehäuse schließen.
- Die Einheit mit Strom versorgen.



Wenn die Factory-Default-Prozedur einmal abgeschlossen ist, muss die Einheit wie im entsprechenden Kapitel beschrieben konfiguriert werden (8.1 Vorgegebene IP-Adresse, Seite 22).

10 Reinigung



Bevor Arbeiten durchgeführt werden, muss das Kapitel "Sicherheitsnormen" in diesem Handbuch genau gelesen werden.



Die Häufigkeit der Eingriffe hängt von der Umgebung ab, in der die Einheit verwendet wird.

10.1 Reinigung der Glasfensters

Die Reinigung sollte mit einer milden Seife mit Wasser verdünnt erfolgen.

10.2 Reinigung des Produktes



Auf der Außenfläche des Produkts darf niemals eine Staubschicht von mehr als 5 mm liegen.



Zur Vermeidung einer elektrostatischen Aufladung hat die Reinigung des Produkts nach den Angaben aus diesem Kapitel zu erfolgen.

Die Reinigung muss mit einem feuchten Tuch ohne Zuhilfenahme von Druckluft vorgenommen werden.

11 Informationen bezüglich Entsorgung und Recycling

Die EU-Richtlinie 2012/19/EU über Elektro- und Elektronik-Altgeräte (WEEE) verpflichtet, dass diese Geräte nicht zusammenn mit festen Haushaltsabfällen entsorgt werden sollten. Diese besonderen Abfällen müssen separat gesammelt werden, um den Rückgewinnungsstrom und das Recycling der darin enthaltenen Materialien zu optimieren, sowie zur Minderung der Einwirkung auf die menschliche Gesundheit und Umwelt aufgrund des Vorhandenseins von potentiell gefährlichen Stoffen.



Das Symbol des gekreuzten Müllbehälters ist auf allen Produkten markiert, um sich daran zu erinnern.

Die Abfälle dürfen an die ausgewiesenen Müllsammelstellen gebracht werden. Andernfalls darf man es kostenlos an den Vertragshändler bringen, bei dem das Gerät gekauft wurde. Das kann beim Einkauf von neuen gleichartigen Produkten passieren oder auch ohne Verpflichtung eines Neukaufes, falls die Größe des Gerätes kleiner als 25 cm ist.

Mehr Informationen über die korrekte Entsorgung dieser Geräte erhalten Sie bei der entsprechenden Behörde.

12 Problemlösung



Bevor Arbeiten durchgeführt werden, muss das Kapitel "Sicherheitsnormen" in diesem Handbuch genau gelesen werden.



Das autorisierte Kundenzentrum für jedes nicht beschriebene Problem oder bei weiterhin bestehenden Problemen kontaktieren.

PROBLEM	Das Produkt lässt sich nicht einschalten.
URSACHE	Verkabelung fehlerhaft, Schaden an der Sicherung.
LÖSUNG	Anschlüsse prüfen. Die Kontinuität der Sicherung überprüfen und im Schadensfall mit dem angegebenen Modell austauschen.

PROBLEM	Kein sichtbares Videostreaming.
URSACHE	Falsche Einstellung der IP-Parameter.
LÖSUNG	Die IP-Adresse des Gerätes und die Konfiguration der computereigenen Netzwerkkarte prüfen.
URSACHE	Der automatische Vorheizvorgang (De-Ice) läuft.
LÖSUNG	Ende des Vorheizvorgangs abwarten. Die Einheit blockiert, wenn die Umgebungstemperatur zu niedrig ist.

13 Technische Daten

13.1 Mechanik

Hergestellt aus rostfreiem Stahl AISI 316L

Oberflächen außen kugelgestrahlt und elektropoliert

Sonnenschutzdach

Halterungen für die Montage an Wand, Decke oder am Geländer

Einheitsgewicht:

- 6.5kg (nur Gehäuse + Bügelhalterung)
- 8.5kg (Gehäuse mit armiertem Mehrleiterkabel mit 4m Länge)

13.2 Kabelverschraubungen

Kabeleingang: 1 Loch, 1/2" NPT

Kabelverschraubung Ex d 1/2"NPT (nur mit vorinstalliertem Kabel)

13.3 Fenster für Gehäuse

Material: Getempertes Glas

Nutzdurchmesser: 73.5mm

13.4 Elektrik

Versorgungsspannung/Stromaufnahme

- 24Vac $\pm 10\%$, 1.32A, 50/60Hz
- 24Vdc $\pm 5\%$, 0.9A
- PoE+ (IEEE 802.3at)

Leistungsaufnahme:

- 21W (24Vac, 1.32A, 50/60Hz)
- 20W (24Vdc, 0.9A)
- 21W (PoE+)

Armiertes Kabel

- Aussendurchmesser: 16.8mm ± 0.4 mm
- Durchmesser unter Armierung: 12.4mm ± 0.3 mm
- Farbe: schwarz RAL 9005

Zusammensetzung des armierten Kabels:

- 3x1.5mm² (15AWG)
- 4x2x0.22mm² (24AWG) (Kat. 5E F/STP)

13.5 Netzwerk

Ethernet-Verbindung: 100 Base-TX

Verbinder: RJ45

13.6 Kamera

Day/Night Full HD 10x

Auflösung: Full HD 1080p (1920x1080pixel)

Signal System: 1080p/60fps max

Image Sensor: 1/3" CMOS sensor

Effektive Pixel: 2.48Megapixel

Mindestbeleuchtung, Farbe (ICR-OFF):

- 0.5lx IRE 50%
- 0.125lx IRE 50% (Slow Shutter)

Mindestbeleuchtung, B/W (ICR-ON):

- 0.1lx IRE 50%
- 0.025lx IRE 50% (Slow Shutter)

Objektiv:

- Von f= 5.1mm (wide) bis zu 51mm (Tele)
- Von F1.6 bis zu F1.8

Zoom: 10x (320x, mit digitalem Zoom)

Horizontale Blickwinkel: von 54° (wide) bis zu 4.9° (Tele)

Mindestentfernung des Objekts: von 100mm (wide) bis zu 1000mm (Tele)

Verschlusszeit: von 1/8s bis zu 1/30000s, 14 Schritte

Weißabgleich: Auto, Innen, Außen, Manuell

Wide Dynamic Range: On/Off, Lichtniveau

Belichtungskontrolle: Auto, Manuell, Shutter Priority, Iris Priority, Helligkeit

S/N Ratio: 50dB

De-fog: Off, Auto, Manuell

Maskierung der Privatbereiche: maximale 8 einstellbare Masken

Backlight-Kompensation

Digitale Bildstabilisierung: On/Off

Day/Night Full HD 3x

Auflösung: Full HD 1080p (1920x1080pixel)

Signal System: 1080p/30fps max

Image Sensor: 1/2" type Exmor™ CMOS sensor

Effektive Pixel: 2.17Megapixel

Mindestbeleuchtung, Farbe (ICR-OFF):

- 0.15lx, (1/30s)
- 0.0375lx, (1/7.5s), (Slow Shutter)

Mindestbeleuchtung, B/W (ICR-ON):

- 0.1lx, (1/30s)
- 0.002lx, (1/7.5s), (Slow Shutter)

Objektiv:

- Von f= 3.6mm (wide) bis zu 10mm (Tele)
- Von F1.5 bis zu F2.7

Zoom: 3x (96x mit digitalem Zoom)

Horizontale Blickwinkel: Von 88.4° (wide) bis zu 40.7° (Tele)

Mindestentfernung des Objekts: 1000mm) (wide to tele)

Verschlusszeit: Von 1/8s bis zu 1/30000s, 14 Schritte

Weißabgleich: Auto, Innen, Außen, Manuell

Wide Dynamic Range: On/Off

Belichtungskontrolle: Auto, Manuell, Iris Priority, Shutter Priority, Helligkeit

S/N Ratio: 50dB

De-fog: On/Off, Auto, Manual

Maskierung der Privatbereiche: maximale 8 einstellbare Masken

Backlight-Kompensation

Digitale Bildstabilisierung: On/Off

13.7 Umgebung

Montage für den Innen- und Außenbereich

Zertifizierungstemperatur: von -40°C bis zu +65°C (T6/T85°C) oder +70°C (T5/T100°C)

Betriebstemperatur:

- Kontinuierlicher Betrieb: von -40°C bis zu +65°C
- Temperaturtest in Übereinstimmung mit NEMA-TS 2-2003 (R2008) Par. 2.1.5.1, Testprofil Abb. 2-1 (-34°C bis +74°C) (nur Versionen mit Kamera Day/Night 10X Zoom, FullHD)
- Eingreifen der Enteisungsfunktion (Kaltstart): von -40°C bis zu -10°C

Relative Luftfeuchtigkeit: von 5% bis zu 95%

13.8 Zertifizierungen

Elektrische Sicherheit (CE): EN60950-1, IEC60950-1, EN62368-1, IEC62368-1

Elektromagnetische Verträglichkeit (CE): EN61000-6-4, EN61000-3-2, EN61000-3-3, EN50130-4, EN55032 (Klasse A)

RoHS (CE): EN IEC 63000

Außeninstallation (CE): EN60950-22, IEC60950-22

Schutzart IP (EN/IEC60529): IP66, IP67, IP68 (2 Stunden, 5m), IP69

Vibrationstest: EN50130-5, EN60068-2-6

UL- Zertifizierung (UL60950-1, CAN/CSA C22.2 No. 60950-1-07, UL62368-1 CAN/CSA C22.2 Nr. 62368-1-14): cULus Listed

Elektromagnetische Verträglichkeit (Nordamerika): FCC part 15 (Klasse A), ICES-003 (Klasse A)

Schutzart Type (UL50E): 4X, 6P

BIS-Zertifizierung: IS 13252 (PART 1)/IEC60950-1 (Zertifizierung nur für diese Code gültig: MMX2D0ZA)

KC-Zertifizierung (Zertifizierung nur für diese Code gültig: MMX2C0ZJ)

RCM (Australian and New Zealand Regulatory Compliance Mark)

NDAA-konform

13.9 Zertifizierungen - Explosionsgeschützte Anwendungen

ATEX (EN IEC 60079-0, EN 60079-1, EN 60079-31)

IECEx (IEC 60079-0, IEC 60079-1, IEC 60079-31)

EAC EX (TR CU 012/2011)

INMETRO (ABNT NBR IEC 60079-0, ABNT NBR IEC 60079-1, ABNT NBR IEC 60079-31)

KCs (Employment and labor department 2021-22)

UL listed for USA (UL 60079-0, UL 60079-1, UL 60079-31)

UL listed for Canada (CAN/CSA-C22.2 NO. 60079-0, CAN/CSA-C22.2 NO. 60079-1, CAN/CSA-C22.2 NO. 60079-31)

UK Ex (EN IEC 60079-0, EN 60079-1, EN 60079-31)

13.10 Zertifizierungen - Marine-Anwendungen

Zertifizierung Lloyd's Register Marine Type Approval (nur Versionen mit Kamera Day/Night 10X Zoom, FullHD):

- Test Specification Number 1 (ENV1, ENV2, ENV3, ENV5)

Elektromagnetische Verträglichkeit: EN60945

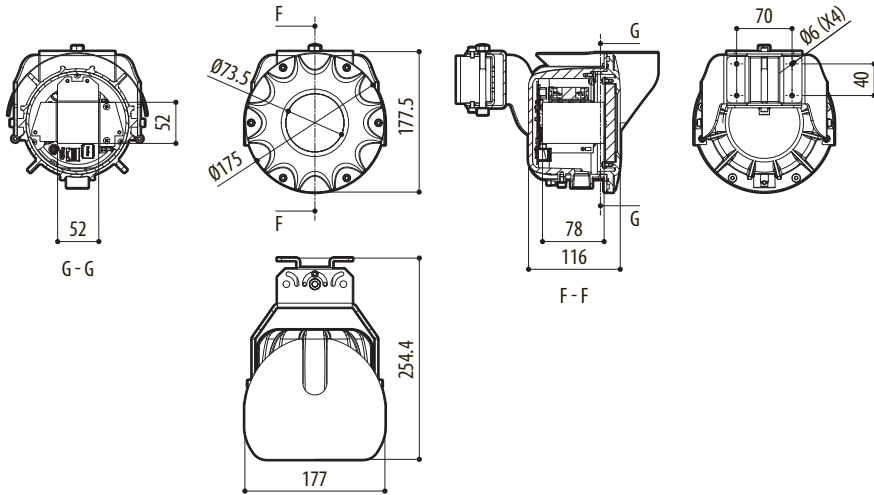
Salznebelbeständig: EN60068-2-52

Getestet bei 70°C für 16 Stunden in Übereinstimmung mit EN60068-2-2

14 Technische Zeichnungen

i Die Maße sind in Millimetern angegeben.

BEFESTIGUNG AN DER WAND



BEFESTIGUNG AN DER BRÜSTUNG ODER AN DER DECKE

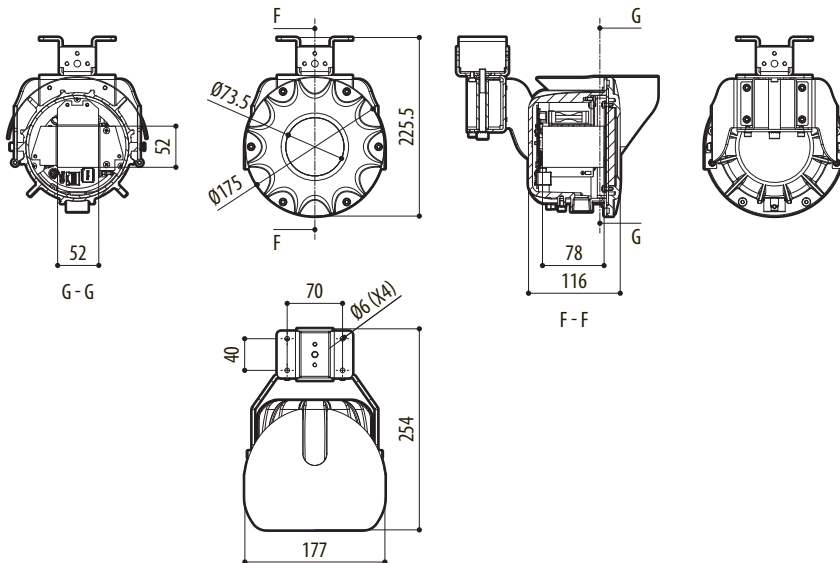


Abb. 28 MAXIMUS MMX.



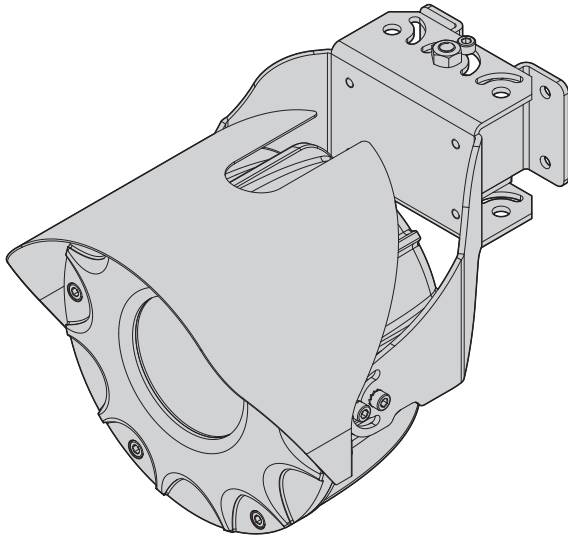
Headquarters Italy VIDEOTEC s.r.l.
Via Friuli, 6 - I-36015 Schio (VI) - Italy
Tel. +39 0445 697411 - Fax +39 0445 697414
Email: info@videotec.com
www.videotec.com

MNVCMMX_2223_DE



MAXIMUS MMX

Компактная flaterproof камера высокого разрешения



Комплект оборудования

1	О настоящем руководстве.....	5
1.1	Типографские условные обозначения	5
2	Примечания в отношении авторского права и информация о торговых марках.....	5
3	Правила техники безопасности.....	5
4	Описание и обозначение типа устройства	8
4.1	Общий вид изделия.....	8
4.2	Область применения	9
4.3	Особые условия использования	9
4.4	Газовая группа, пылевая группа и температура	9
4.5	Ввод кабелей.....	9
4.6	Этикетка с маркировкой продукта.....	10
4.7	Применимо только для стандарта UL / CSA.	11
	Важные инструкции по технике безопасности.....	11
	Этикетки маркировки.....	11
	Подключения.....	12
	Нормативные ссылки.....	12
4.8	Идентификация модели.....	13
5	Подготовка устройства к использованию.....	14
5.1	Распаковка.....	14
5.2	Комплект оборудования	14
5.3	Безопасная утилизация упаковочных материалов	14
6	Монтаж	14
6.1	Варианты установки	15
6.1.1	Крепление к парапету или на потолок.....	16
6.1.2	Установка на стену.....	17
6.2	Установка солнцезащитного козырька	17
6.3	Открывание кожуха.....	18
6.4	Снятие салазок	18
6.5	Описание платы кожуха	18
6.6	Подключение линии питания	19
6.6.1	Подключение линии питания, 24Vac/24Vdc (версия устройства без кабеля).....	19
6.6.2	Подключение линии питания, PoE+ (версия устройства без кабеля).....	19
6.6.3	Подключение линии питания, 24Vac/24Vdc (версия устройства с кабелем)	19
6.6.4	Подключение линии питания, PoE+ (версия устройства с кабелем).....	19
6.7	Подключите Ethernet-кабель.....	20
6.7.1	Подключение Ethernet-кабеля (версия устройства с кабелем)	20
6.8	Подключение эквипотенциального заземления	20
6.9	Закрывание кожуха.....	21
7	Включение	22
8	Конфигурация.....	22
8.1	IP-адрес по умолчанию.....	22

8.2	Веб-интерфейс	22
8.2.1	Первый вход на веб-страницу	22
9	Техническое обслуживание	23
9.1	Плановое техническое обслуживание.....	23
9.1.1	Проверка кабелей	23
9.2	Внеочередное обслуживание.....	23
9.2.1	Замена предохранителей.....	23
9.2.2	Замена прокладки.....	24
9.2.3	Factory Default	24
10	Очистка.....	25
10.1	Очистка стеклянного окна	25
10.2	Очистка устройства.....	25
11	Информация об утилизации и переработке	25
12	Поиск и устранение неисправностей	26
13	Технические характеристики	26
13.1	Механические хар.....	26
13.2	Кабельные муфты	26
13.3	Окно кожуха	26
13.4	Электрические хар.....	26
13.5	Сеть.....	26
13.6	Камеры	27
13.7	Окружающая среда.....	28
13.8	Сертификаты	28
13.9	Сертификаты - Взрывобезопасное применение	28
13.10	Сертификаты - Морское применение	28
14	Технические чертежи	29

1 О настоящем руководстве

Перед установкой и использованием этого изделия внимательно прочтите всю предоставленную документацию. Всегда держите руководство под рукой, чтобы им можно было воспользоваться в будущем.

1.1 Типографские условные обозначения



ОПАСНОСТЬ!

Опасность взрыва.

Внимательно прочитайте указания, чтобы избежать опасности взрыва.



ОПАСНОСТЬ!

Высокий уровень опасности.

Риск поражения электрическим током. При отсутствии иных указаний отключите питание устройства, перед тем как приступить к выполнению любой операции.



ПРЕДУПРЕЖДЕНИЕ!

Средний уровень опасности.

Данная операция крайне важна для обеспечения надлежащего функционирования системы. Внимательно ознакомьтесь с описанием процедуры и выполните ее в соответствии с приведенными указаниями.



INFO

Описание характеристик системы. Рекомендуем внимательно ознакомиться с содержанием этого раздела, для того чтобы понять следующие этапы.

Подчеркнутые названия

Информация приведена в соответствии с сертификатами.

2 Примечания в отношении авторского права и информация о торговых марках

Названия устройств или компаний, упоминаемые в настоящем документе, являются торговыми марками или зарегистрированными торговыми знаками соответствующих компаний.

Торговая марка ONVIF® принадлежит Onvif, Inc.

3 Правила техники

безопасности



ОПАСНОСТЬ!

Опасность взрыва.

Внимательно прочитайте указания, чтобы избежать опасности взрыва.

- Установка и обслуживание устройства должны проводиться квалифицированным техническим персоналом в соответствии с применимыми стандартами EN/IEC 60079-14, EN/IEC 60079-17 и национальными стандартами.
- Не открывайте устройство при включенном питании и эксплуатации во взрывоопасной атмосфере.
- Для установки используйте подходящие инструменты. Особый характер места установки устройства может потребовать использования специальных инструментов.
- Выполняйте все операции по подключению, установке и техническому обслуживанию во взрывобезопасной атмосфере.
- Эквипотенциальное подключение обязательно для предотвращения риска возгорания устройств, установленных в потенциально взрывоопасных условиях.
- Перед подачей питания на устройство во взрывоопасной атмосфере убедитесь в том, что оно закрыто надлежащим образом.
- Температура поверхности устройства повышается, если оборудование находится под прямыми солнечными лучами. Температурный класс поверхности устройства определен только в соответствии с температурой окружающей среды без учета воздействия прямых солнечных лучей.
- Убедитесь, что все оборудование сертифицировано для использования в тех условиях, в которых оно будет установлено.
- Любое изменение, которое выполняется без разрешения, явным образом предоставленного производителем, аннулирует гарантию.

**ОПАСНОСТЬ!****Высокий уровень опасности.****Риск поражения электрическим током. При отсутствии иных указаний отключите питание устройства, перед тем как приступить к выполнению любой операции.**

- Проводите установку или техническое обслуживание при отключенном источнике питания и разомкнутом выключателе сети.
- Электрическая система оснащается выключателем питания, который можно легко найти и использовать в случае необходимости.
- Система электропитания, к которой подключается устройство, должна быть оснащена двухполюсным автоматическим прерывателем цепи номинальным током 10А max. Минимальное расстояние между контактами автоматического выключателя цепи должно составлять 3mm. Выключатель должен быть защищен от перегрузок по току (с помощью автоматического выключателя).
- Устройство считается выключенным только при отключении источника питания и отсоединении кабелей, ведущих к другим устройствам.
- Не используйте кабели, которые кажутся изношенными или старыми.
- Все кабели должны соответствовать IEC60332-1-2, IEC 60332-1-3 и IEC/EN60079-14.
- Перед началом монтажа убедитесь в том, что характеристики источника питания соответствуют характеристикам устройства.
- Для обеспечения постоянной защиты от риска возгорания при замене предохранителей следует использовать предохранители того же типа и номинала. Только обслуживающий персонал может проводить замену предохранителей.
- Устройство не годно для использования в местах где могут находиться дети.

**ПРЕДУПРЕЖДЕНИЕ!****Средний уровень опасности.****Данная операция крайне важна для обеспечения надлежащего функционирования системы. Внимательно ознакомьтесь с описанием процедуры и выполните ее в соответствии с приведенными указаниями.**

- Убедитесь в том, что порядок установки соответствует местным нормативным требованиям и спецификациям.
- Выполнить подключения и лабораторные испытания, перед установкой на месте применения.
- Проверьте соответствие размеров гнезда питания и кабеля.
- Используйте подходящие кабели, способные выдержать рабочую температуру.
- Все неподключенные кабели должны быть изолированы.
- Устройство можно установить в любом положении.
- Пред тем как включить питание, убедитесь в том, что устройство надежно зафиксировано.
- Производитель снимает с себя всю ответственность за повреждения любых перечисленных в настоящем документе устройств, которые связаны с небрежным обращением, использованием неоригинальных запасных частей, а также случаями проведения установки и технического обслуживания и ремонта неуполномоченными сотрудниками и сотрудниками, не имеющими необходимых навыков.
- Используйте только оригинальные запасные части VIDEOTECH. Неукоснительно следуйте инструкциям по обслуживанию, прилагаемым к каждому ремонтному комплекту.
- Техническое обслуживание должно проводиться только уполномоченным техническим персоналом.
- Ремонт этого устройства может выполняться только прошедшими надлежащее обучение сотрудниками или под наблюдением сотрудников компании VIDEOTECH в соответствии с существующими условиями: IEC/EN60079-19.
- Система типа НТС-1 Это система типа НТС-1, не подключайте ее к СНБН-схемам.
- Обращайтесь с устройством осторожно, чтобы избежать случайного контакта, острых углов и кромок.



INFO

Описание характеристик системы.

Рекомендуем внимательно ознакомиться с содержанием этого раздела, для того чтобы понять следующие этапы.

- Перед монтажом проверьте соответствие поставленных материалов спецификациям заказа, сверив идентификационные ярлыки.
- Устройство предназначено для установки в зоне ограниченного доступа, и монтаж должен быть выполнен квалифицированными техническими специалистами.
- Производитель не несет ответственности за любые повреждения, возникающие в результате неправильного использования указанного в настоящем руководстве оборудования. Помимо этого, производитель сохраняет за собой право изменять содержание руководства без предварительного уведомления. Представленная в настоящем руководстве документация прошла тщательную проверку. Однако производитель не несет ответственности за ее использование. Аналогичные условия предусмотрены в отношении любого лица или компании, привлеченных для составления и создания данного руководства.
- Поскольку пользователь самостоятельно выбирает поверхность, на которой будет закреплено устройство, мы не предоставляем крепежные приспособления для надежной фиксации оборудования на определенной поверхности. За выбор крепежных приспособлений, подходящих для соответствующей поверхности, отвечает установщик. Рекомендуется использовать методы и материалы, которые способны выдерживать вес, превышающий вес устройства минимум в 4 раза.
- При необходимости проведения технического обслуживания рекомендуется направить изделие в лабораторию, сотрудники которой выполнят все требуемые операции.
- Это устройство Класса А. При установке в жилых помещениях данное устройство может вызывать радиопомехи. В таком случае пользователю может потребоваться предпринять соответствующие меры.
- Устройство следует подключать через соответствующий источник бесперебойного питания (ИБП) в целях компенсации кратковременной посадки напряжения или кратковременного нарушения электроснабжения.
- Устройство должно питаться от источника энергии PS2
- Для питания устройства используется защитный трансформатор и (или) изолированный источник питания постоянного тока, обладающий соответствующими характеристиками. Выходная мощность не должна превышать указанные ниже значения. Напряжение сети питания: 24Vac ($\pm 10\%$) или 24Vdc ($\pm 5\%$).
- В случае источников питания напряжением 24Vac необходимо обеспечить разделение с линией питания переменного тока с помощью двойной или армированной изоляции на участке между основной линией питания и вторичным контуром.

4 Описание и обозначение типа устройства

Flamerproof кожух ММХ был разработан для установки в потенциально взрывоопасных средах и произведен из нержавеющей стали AISI 316L с микродробеструйной обработкой и электрополировкой. Кожух может получать питание в 24Vac, 24Vdc или через Ethernet-кабель (PoE+). На кожухе расположен ввод с резьбой NPT 1/2". Кожух модели ММХ имеет класс защиты IP66/IP68/IP69 и может устанавливаться, в зависимости от класса, в среде с температурой от -40°C до +70°C.

4.1 Общий вид изделия

Ниже представлены основные компоненты устройства.

01. Кронштейн для фиксации.
02. Кронштейн для усиления.
03. Кронштейн для кожуха.
04. Распорная гильза.
05. Винта M8x80.
06. Солнцезащитный козырек.
07. Кожух.

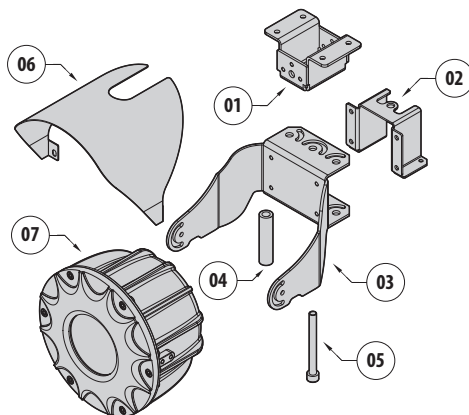


Рис. 1

4.2 Область применения

Устройство создано для работы в фиксированном положении и обеспечения наблюдения в зонах класса 1-21 или 2-22 с потенциально взрывоопасной средой.

Устройство изготовлено и сертифицировано в соответствии с директивой 2014/34/UE, а также международными стандартами IECEx, определяющими область его применения и минимальные требования безопасности.

4.3 Особые условия использования

Толщина слоя пыли на внешней поверхности устройства не должна превышать 5 мм.

Во избежание накопления электростатического заряда во время очистки устройства используйте влажную тряпку.

Устанавливаемые телекамеры не должны содержать источников электромагнитного, лазерного и ультразвукового излучения, а также источников незатухающих колебаний.

Устанавливаемые телекамеры не должны содержать гальванических элементов или аккумуляторов.

Используемые камеры должны иметь простую геометрическую форму.

Информацию о температуре окружающей среды и температуре поверхности можно найти в инструкции.

Свяжитесь с изготовителем для получения информации о размерах flaterproof соединения.

4.4 Газовая группа, пылевая группа и температура

Устройство сертифицировано для группы IIB (газ) и группы IIIC (пыль).

Температура окружающей среды: -40°C/+65°C или +70°C.

ТЕМПЕРАТУРНЫЙ КЛАСС	МАКСИМАЛЬНАЯ ТЕМПЕРАТУРА ОКРУЖАЮЩЕЙ СРЕДЫ
T6 / T85°C	+65°C
T5 / T100°C	+70°C

Табл. 1

4.5 Ввод кабелей

Все кабельные муфты должны обладать сертифицированной взрывобезопасностью (Ex) типа «db» и «tb», кроме того они должны быть пригодны для условий эксплуатации и быть правильно установлены.

В случае использования кабелепровода, необходимо использовать блокирующее соединение с сертифицированной взрывобезопасностью (Ex) типа «db» и «tb», которое должно быть пригодно для условий эксплуатации и быть правильно установлено.

Заглушка устанавливается на расстоянии не более 50mm от стенки корпуса устройства.

Температура кабельного ввода указана на маркировке.

Для поддержания уровня IP продукта используйте кабельные вводы с соответствующим уровнем IP и нанесите на резьбу герметик, соответствующий стандарту IEC / EN60079-14.

4.6 Этикетка с маркировкой продукта

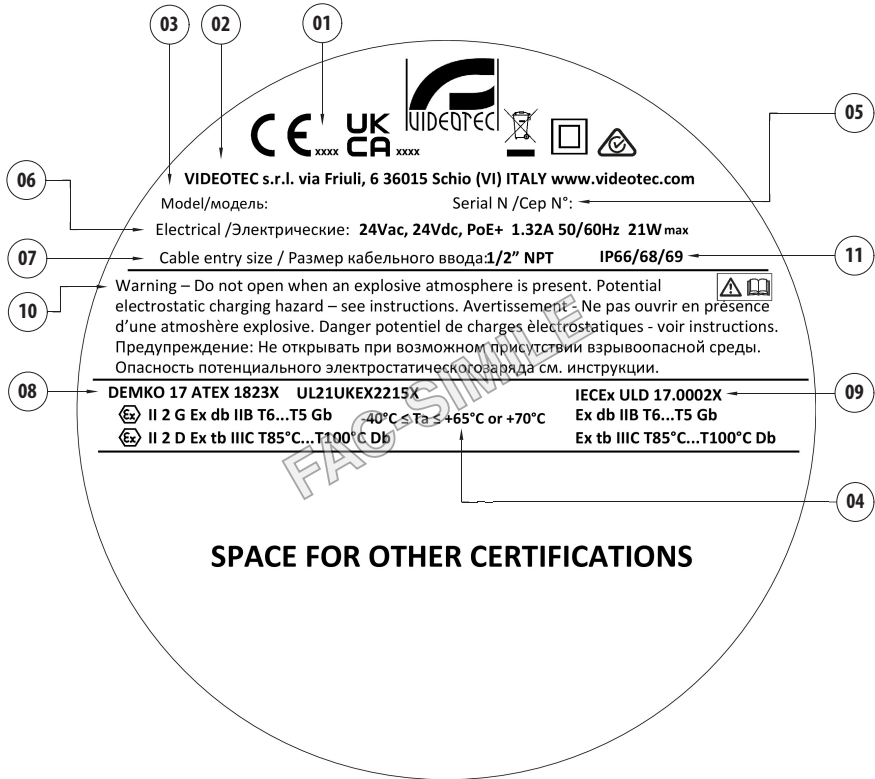


Рис. 2

1. Номер аккредитованного органа, обеспечивающего оценку качества.
2. Наименование и адрес производителя.
3. Модели.
4. Температура окружающей среды при использовании.
5. Серийный номер состоит из 12 цифровых знаков, второй и третий знак - это последние две цифры года производства.
6. Электрические характеристики (напряжение V, частота Hz, сила тока A, мощность тока W).
7. Тип, сечение и количество кабельных входов
8. Маркировка ATEX. Температурный класс зависит от установленной внутри электроники и от температуры окружающей среды.
9. Маркировка IECEx. Температурный класс зависит от установленной внутри электроники и от температуры окружающей среды.
10. Меры предосторожности.
11. Степень защиты IP.

4.7 Применимо только для стандарта UL / CSA.



Flameproof стыки запрещается ремонтировать.



В США электрическое оборудование, используемое в опасных промышленных условиях, должно отвечать требованиям Национального электротехнического кодекса (NEC), в Канаде - Канадского электротехнического кодекса (CEC). Данные кодексы содержат положения по установке электрооборудования в разных условиях и содержат информацию о ряде стандартов других организаций со спецификациями для возведения и установки соответствующего оборудования.

Важные инструкции по технике безопасности

WARNING: A SEAL SHALL BE INSTALLED WITHIN 50 mm OF THE ENCLOSURE.

AVERTISSEMENT: UN SCELLEMENT DOIT ÊTRE INSTALLÉ À MOINS DE 50 mm DU BOÎTIER.

WARNING: "CABLE ENTRY AND BRANCHING POINT IS 83.2°C AT +65°C AMBIENT AND 88.2°C AT +70°C AMBIENT. USE SUITABLE CABLE AND CABLE GLANDS".

AVERTISSEMENT: LA TEMPÉRATURE DE L'ENTRÉE DE CÂBLE ET DU POINT DE BRANCHEMENT EST DE 83.2°C JUSQU'À + 65°C AMBIANT ET DE 88.2°C JUSQU'À + 70°C AMBIANT. UTILISEZ LE CÂBLE ET LES PRESSE-ÉTOUPES APPROPRIÉS.

WARNING: DO NOT OPEN WHEN EXPLOSIVE ATMOSPHERE IS PRESENT.

AVERTISSEMENT - NE PAS OUVRIR EN PRÉSENCE D'UNE ATMOSPHÈRE EXPLOSIVE

WARNING: POTENTIAL ELECTROSTATIC CHARGING HAZARD – SEE INSTRUCTIONS.

AVERTISSEMENT - DANGER POTENTIEL DE CHARGES ÉLECTROSTATIQUES - VOIR INSTRUCTIONS

Этикетки маркировки



Рис. 3

NEMA Types: TYPE 4X, TYPE 6P



Соединения должны выбираться в соответствии с действующими местными нормами..

Кабельные муфты:подберите кабельный ввод, соответствующий UL2225 со следующей защитой AEx d IIC и C22.2 со следующей защитой Ex d IIC в зависимости от маркировки изделия.

Кабелепровод:при использовании кабелепровода необходимо установить уплотнитель, закрывающий пространство в 50mm от входного отверстия изделия.

Нормативные ссылки

UL 60950-1, 2nd Edition, 2019-05-09 (Information Technology Equipment - Safety - Part 1: General Requirements)

CAN/CSA C22.2 No. 60950-1-07, 2nd Edition, 2014-10 (Information Technology Equipment - Safety - Part 1: General Requirements)

UL 62368-1, 2nd Ed, 2014-12-01 (Audio/video, information and communication technology equipment Part 1: Safety requirements)

CAN/CSA C22.2 No. 62368-1-14, 2nd Ed, Issued: 2014-12-01 (Audio/video, information and communication technology equipment Part 1: Safety requirements)

UL 60079-0, 7th Edition, Explosive atmospheres - Part 0: Equipment - General requirements

UL 60079-1, 7th Edition, Explosive Atmospheres - Part 1: Equipment Protection by Flameproof Enclosures "d"

UL 60079-31, 2nd Edition, Explosive Atmospheres - Part 31: Equipment Dust Ignition Protection by Enclosure "t"

CSA C22.2 No. 60079-0:19, Explosive atmospheres - Part 0: Equipment - General requirements

CSA C22.2 No. 60079-1:16, Explosive Atmospheres - Part 1: Equipment Protection by Flameproof Enclosures "d"

CSA C22.2 No. 60079-31:15, Explosive Atmospheres - Part 31: Equipment Dust Ignition Protection by Enclosure "t"

4.8 Идентификация модели

МАХИМУС ММХ - ОПЦИИ КОНФИГУРАЦИЙ						
	Напряжение	Камера	Подключения	Выход видеосигнала	ONVIF-профили	
ММХ	2 24Vdc/ 24Vac, PoE+	4 Камера Day/ Night с 3-кратным увеличением, FullHD	0 Без кабеля, без кабельной муфты	Z IP	A	Соответствие стандарту ONVIF, Профилю Q, Профилю S и Профилю T
		D Камера Day/Night с 10-кратным увеличением, FullHD	A Кабельная муфта Ex d 1/2" NPT и армированный кабель 4m		J	Соответствие стандарту ONVIF, Профилю S и Профилю T
			B Кабельная муфта Ex d 1/2" NPT и армированный кабель 10m			

Табл. 2


МАХИМУС ММХ - СЕРТИФИКАТЫ И МАРКИРОВКА (С КАБЕЛЕМ)			
Сертификаты	Маркировка	Температура окружающей среды	Температура кабельного ввода
ATEX	Ⓜ II 2 G Ex db IIB T6...T5 Gb Ⓜ II 2 D Ex tb IIIC T85°C...T100°C Db	-40°C ≤ Ta ≤ +65°C or +70°C	+83.2°C с Ta ≤ +65°C +88.2°C с Ta ≤ +70°C
IECEX	Ex db IIB T6...T5 Gb Ex tb IIIC T85°C...T100°C Db		
EAC Ex	1Ex db IIB T6...T5 Gb X Ex tb IIIC T85°C...T100°C Db X		
INMETRO	Ex db IIB T6...T5 Gb Ex tb IIIC T85°C...T100°C Db		
UK Ex	Ⓜ II 2 G Ex db IIB T6...T5 Gb Ⓜ II 2 D Ex tb IIIC T85°C...T100°C Db		

Табл. 3

МАХИМУС ММХ - СЕРТИФИКАТЫ И МАРКИРОВКА (БЕЗ КАБЕЛЯ)			
Сертификаты	Маркировка	Температура окружающей среды	Температура кабельного ввода
ATEX	Ⓜ II 2 G Ex db IIB T6...T5 Gb Ⓜ II 2 D Ex tb IIIC T85°C...T100°C Db	-40°C ≤ Ta ≤ +65°C or +70°C	+83.2°C с Ta ≤ +65°C +88.2°C с Ta ≤ +70°C
IECEX	Ex db IIB T6...T5 Gb Ex tb IIIC T85°C...T100°C Db		
EAC Ex	1Ex db IIB T6...T5 Gb X Ex tb IIIC T85°C...T100°C Db X		
KCs	Ex db IIB T6...T5 Gb Ex tb IIIC T85°C...T100°C Db		
INMETRO	Ex db IIB T6...T5 Gb Ex tb IIIC T85°C...T100°C Db		
Hazardous Location America	Class I, Zone 1, AEx db IIB T6...T5 Gb Zone 21, AEx tb IIIC T85°C...T100°C Db Class I, Div 2 Group C, D T6...T5 Class II, Div 2, Group F and G T6...T5		
Hazardous Location Canada	Ex db IIB T6...T5 Gb X Ex tb IIIC T85°C...T100°C Db X Class I, Div 2 Group C, D T6...T5 Class II, Div 2, Group F and G T6...T5		
UK Ex	Ⓜ II 2 G Ex db IIB T6...T5 Gb Ⓜ II 2 D Ex tb IIIC T85°C...T100°C Db		

Табл. 4

5 Подготовка устройства к использованию

 **Перед проведением каких-либо работ ознакомьтесь с главой руководства под названием "Правила техники безопасности".**

5.1 Распаковка

При получении устройства убедитесь, что упаковка не повреждена и не имеет явных признаков падения или царапин.

В случае наличия видимых повреждений незамедлительно свяжитесь с поставщиком.

В случае возврата неисправного устройства мы рекомендуем использовать оригинальную упаковку для транспортировки.

Сохраняйте упаковку на случай, если потребуется отправить устройство на ремонт.

5.2 Комплект оборудования


Проверьте комплект оборудования на соответствие представленному ниже списку материалов:

- Flamerproof кожух
- Комплект запасных уплотнительных колец
- Комплект кронштейна
- Руководство по эксплуатации

5.3 Безопасная утилизация упаковочных материалов


Упаковочные материалы могут подвергаться переработке. Технический специалист установщика отвечает за сортировку материалов для переработки, а также за соблюдение требований законодательства, действующего в месте установки устройства.

6 Монтаж

 **Перед проведением каких-либо работ ознакомьтесь с главой руководства под названием "Правила техники безопасности".**

При установке настоятельно рекомендуется использовать только разрешенные кронштейны и комплектующие.

6.1 Варианты установки

 **Ось винта М8 всегда должна быть в вертикальном положении.**

В комплект поставки входят кронштейны, позволяющие устанавливать устройство в положениях, указанных на нижеследующем рисунке.

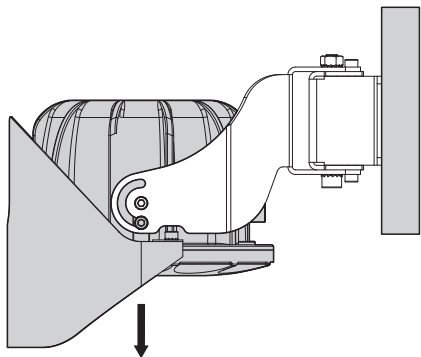


Рис. 4 Пример установки на стене, вертикальное перемещение, -90° .

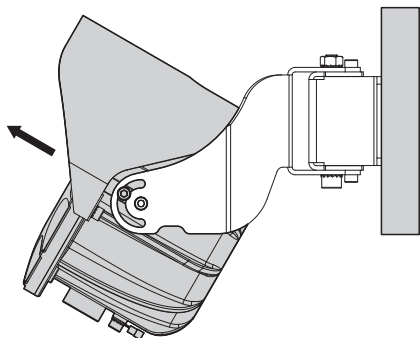


Рис. 5 Пример установки на стене, вертикальное перемещение, $+30^\circ$.

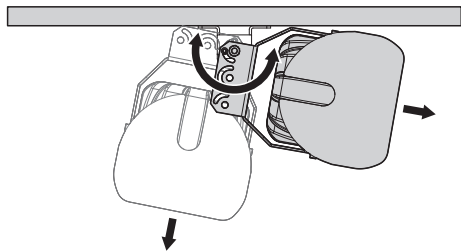


Рис. 6 Пример установки на стене, вращение по горизонтали, от 26° до 80° .

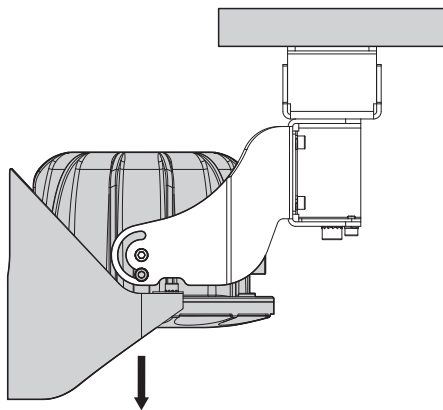


Рис. 7 Пример установки на потолок, вертикальное перемещение, -90° .

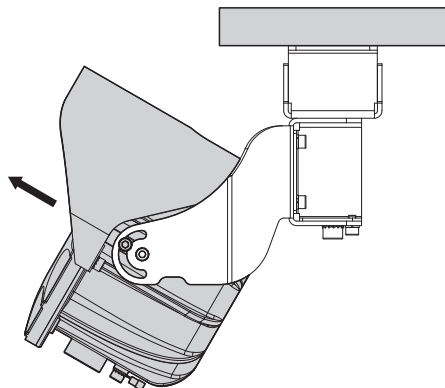


Рис. 8 Пример установки на потолок, вертикальное перемещение, $+30^\circ$.

6.1.1 Крепление к парапету или на потолок

Устройство может устанавливаться на парапете или потолке.

Закрепите кронштейн для фиксации (01) на конечной поверхности установки.

Затяните винты.

Прикрепите кронштейн для усиления (02) к кронштейну для кожуха (03) с помощью предоставленных в комплекте винтов M5 и 5 шайб. Закрепите собранные таким образом 2 кронштейна на кронштейне для фиксации (01) с помощью винтов M8 (05), 8 зубчатых шайб и соответствующей распорной гильзы (04). После определения окончательного положения устройства полностью затяните винт M8 (05) и зафиксируйте винт M5 (08) для блокировки вращения.

Подключенный к кожуху кабель может мешаться. При снятии солнцезащитного козырька можно повернуть кожух на 180° (6.2 Установка солнцезащитного козырька, страница 17).

RU - Русский - Руководство по эксплуатации

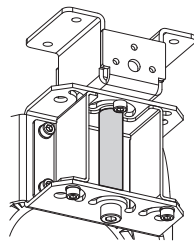


Рис. 11 Вид сзади завершенной установки.

Вариант крепления на парапет или потолок зависит от положения кронштейна для фиксации.

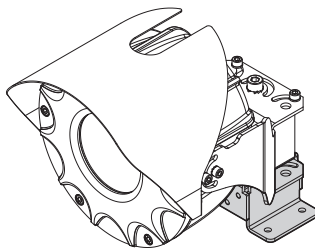


Рис. 12 Крепление к парапету.

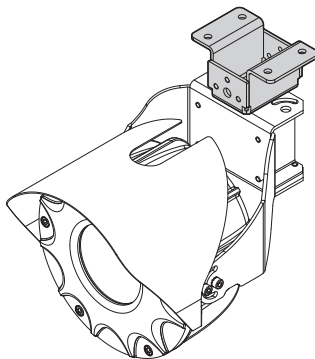


Рис. 13 Крепление на потолок.

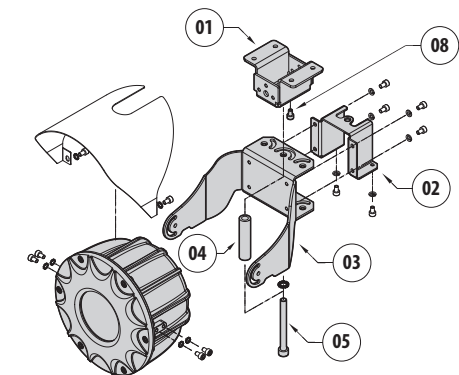


Рис. 9 Крепление на потолок (кожух в нормальном положении).

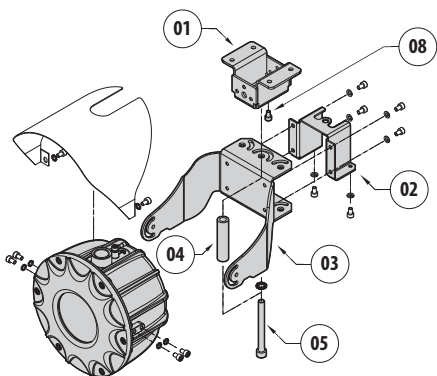


Рис. 10 Крепление на потолок (кожух в перевернутом положении).



Будьте внимательны при монтаже. Момент затяжки: Винты M5, 9Nm (± 0.5 Nm). Винта M8, 16.5Nm (± 0.5 Nm).

6.1.2 Установка на стену

Устройство может быть установлено на стену.

Закрепите кронштейн для фиксации (01) на конечной поверхности установки.

Затяните винты.

Прикрепите кронштейн для кожуха (03) к кронштейну для фиксации (01) с помощью винта M8 (05), шайб и гаек. После определения окончательного положения изделия затяните винт M8 (05) с необходимым моментом затяжки и прикрутите винты M5 (08), чтобы предотвратить вращение.

Подключенный к кожуху кабель может мешаться. При снятии солнцезащитного козырька можно повернуть кожух на 180° (6.2 Установка солнцезащитного козырька, страница 17).

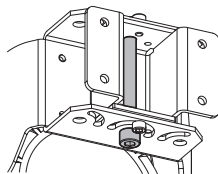


Рис. 16 Вид сзади завершенной установки.

⚠ Будьте внимательны при монтаже. Момент затяжки: Винты M5, 9Nm (±0.5Nm). Винта M8, 16.5Nm (±0.5Nm).

6.2 Установка солнцезащитного козырька

Устройство поставляется с уже установленным солнцезащитным козырьком.

Козырек можно снять для проведения установки или обслуживания. Выкрутите винты солнцезащитного козырька и снимите его.

Установите солнцезащитный козырек перед тем, как закрепить кожух на кронштейне для кожуха.

⚠ Будьте внимательны при монтаже. Момент затяжки: 6Nm (±0.5Nm).

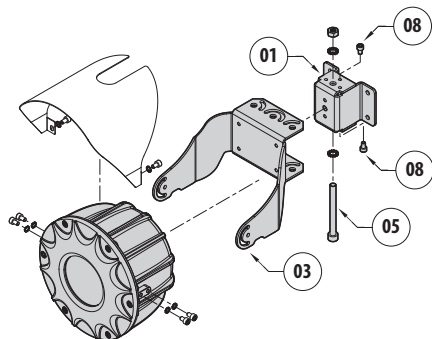


Рис. 14 Кожух в нормальном положении.

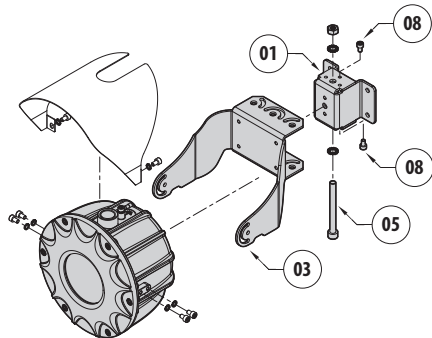


Рис. 15 Кожух в перевернутом положении.

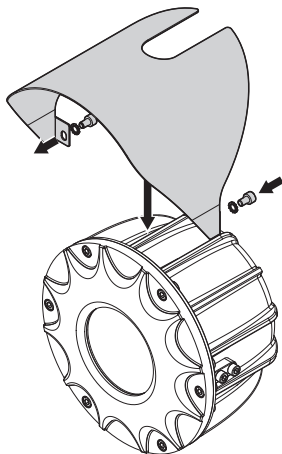


Рис. 17

6.3 Открывание кожуха



Перед проведением каких-либо работ ознакомьтесь с главой руководства под названием "Правила техники безопасности".

Открутите крепежные винты и снимите переднюю крышку с корпуса кожуха.

Характеристики винтов

- Диаметр/Шаг резьбы винта: M5x0.8
- Материал: A4
- Головка винта: ISO 4762
- Длина: 8mm
- Предел текучести (min): 450N/mm²

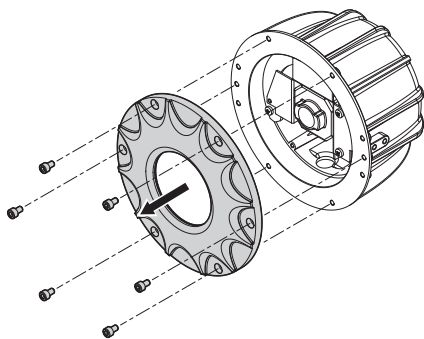


Рис. 18

6.4 Снятие салазок

Отвинтите 3 винта M4 с крестообразным шлицем, чтобы извлечь ползун. Перед снятием направляющей убедитесь, что кабели не закреплены с помощью хомута.

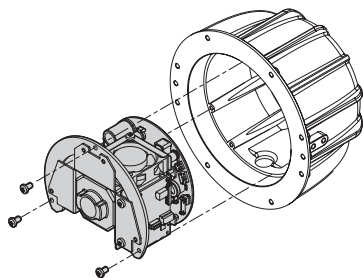


Рис. 19

6.5 Описание платы кожуха

ОПИСАНИЕ ПЛАТЫ	
Разъем/Клемма	Функция
J1	Линия электропитания (24Vac/24Vdc)
J4	Нагреватель
J5	Тестирование платы
J6	Вентилятор
J7	Подключение к декодеру
J8	Ethernet, Питания PoE+
F1	Предохранитель
SW1	DIP-переключатель сброса

Табл. 5

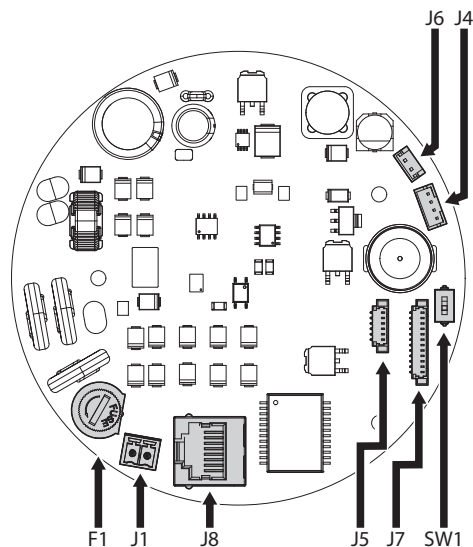




Рис. 20

6.6 Подключение линии питания

6.6.1 Подключение линии питания, 24Vac/24Vdc (версия устройства без кабеля)

 Проверьте соответствие размеров гнезда питания и кабеля.


 Полярность напряжения, подаваемого на клеммы питания, не имеет значения.

ПОДКЛЮЧЕНИЕ ЛИНИИ ПИТАНИЯ		
Источник питания 24Vac/24Vdc		
Цвет	Клеммы	Сечение кабеля
Определяется установщиком	~/+	от 0.14mm ² (28AWG) до 1.5mm ² (16AWG)
Определяется установщиком	~/-	от 0.14mm ² (28AWG) до 1.5mm ² (16AWG)

Табл. 6

СПЕЦИФИКАЦИИ НА КАБЕЛИ		
Сечение кабеля	Напряжение сети питания	Максимальная длина кабеля
1.5mm ² (16AWG)	24Vdc	20m
	24Vac	40m

Табл. 7

 Силовой кабель необходимо закрыть силиконовой оболочкой (01), входящей в комплект оборудования. Силиконовая оболочка крепится с помощью соответствующей кабельной стяжки (02).

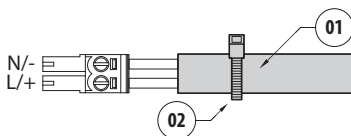



Рис. 21

Кабели питания должны быть подключены к клемме питания платы кожуха (J1, 6.5 Описание платы кожуха, страница 18).


6.6.2 Подключение линии питания, PoE+ (версия устройства без кабеля)

Изделие может получать питание через устройство PoE+ (Питание по кабелю Ethernet), соответствующие международному стандарту по технологической информации IEEE 802.3at, с помощью Ethernet-кабеля для передачи данных Категории 5E.

 Максимальная длина Ethernet-кабеля (категория 5E): 100m.

Устройства PSE (Питающие устройства), подходящие для работы с оборудованием, должны соответствовать стандарту IEEE 802.3at (PoE+).

Кабель Ethernet должен быть подключен к разъему RJ45 на плате кожуха (J8, 6.5 Описание платы кожуха, страница 18).

 Экран Ethernet-кабеля должен быть заземлен с помощью соответствующего разъема. Всегда используйте экранированный разъем RJ45.

Выполните подключение в соответствии с приведенным в таблице описанием (с учетом стандартных технических требований: TIA/EIA-568-B).

ПОДКЛЮЧИТЕ ETHERNET-КАБЕЛЬ	
Номер контакта	Цвет сердечника
1	Оранжевый-Белый
2	Оранжевый
3	Зеленый-Белый
4	Синий
5	Синий-Белый
6	Зеленый
7	Коричневый-Белый
8	Коричневый

Табл. 8

6.6.3 Подключение линии питания, 24Vac/24Vdc (версия устройства с кабелем)

Выполните подключение в соответствии с приведенным в таблице описанием.

ПОДКЛЮЧЕНИЕ ЛИНИИ ПИТАНИЯ (24VAC/24VDC)		
Цвет	Функция	Сечение кабеля
Черный 1	~/+	1.5mm ² (16AWG)
Черный 2	~/-	1.5mm ² (16AWG)

Табл. 9

6.6.4 Подключение линии питания, PoE+ (версия устройства с кабелем)

Устройство может быть напрямую подключено к Ethernet-коммутатору с портом PoE+ (конфигурация End-Span) или традиционному Ethernet-коммутатору с источником питания от сети Ethernet (конфигурация Mid-Span).

6.7 Подключите Ethernet-кабель



Экран Ethernet-кабеля должен быть заземлен с помощью соответствующего разъема. Всегда используйте экранированный разъем RJ45.

Используйте Ethernet-кабели со следующими характеристиками:

- STP (экранированный)
- Категория 5E
- Минимальное сечение кабеля: 0.22mm^2 (24AWG).

Более подробная информация представлена в соответствующей главе (6.6.2 Подключение линии питания, PoE+ (версия устройства без кабеля), страница 19).

6.7.1 Подключение Ethernet-кабеля (версия устройства с кабелем)

Продукт может быть подключен непосредственно к коммутатору Ethernet.

Ниже представлен стандартный пример установки.

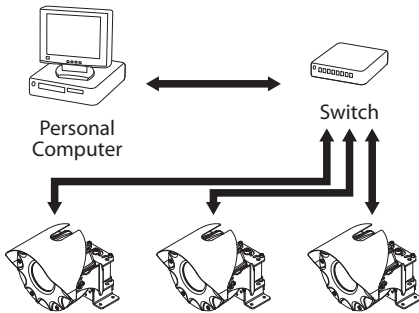


Рис. 22

6.8 Подключение

эквипотенциального заземления

Эквипотенциальное заземление должно быть выполнено с использованием внешнего кабеля с минимальным сечением 4mm^2 (11AWG).

Подключите кабель для эквипотенциального заземления с помощью прилагаемой клеммы-проушины (подходит для кабелей сечением от 4mm^2 (11AWG) до 6mm^2 (9AWG)).

Закрепите клемму-проушину с помощью винта M5 и зубчатой шайбы, которые входят в комплект.

Характеристики винта M5:

- Материал: A4
- Головка винта: ISO 4762
- Длина: 8mm
- Предел текучести (min): 450N/mm^2



ПРЕДУПРЕЖДЕНИЕ! Внешние эквипотенциальные соединения выполняются через ушко с наружной стороны устройства. Не следует использовать ушко в качестве защитной клеммы.

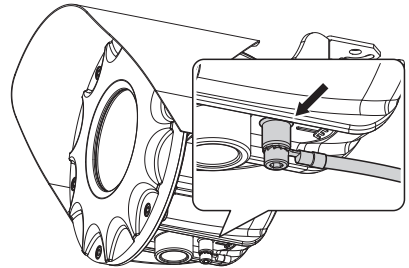





Рис. 23

6.9 Закрывание кожуха

 Проверьте работоспособность системы, перед тем как закрыть устройство и приступить к эксплуатации в потенциально опасной среде.

 При открытии и закрытии изделия следите за тем, чтобы не повредить флангерproof соединение.

 Прежде чем закрыть переднюю крышку, проверьте целостность уплотнительного кольца. При повреждении уплотнения замените его на новое из комплекта поставки.

Убедитесь в отсутствии грязи и инородных частиц.

Расположите кабели таким образом, чтобы они не мешали закрывать переднюю крышку. Для предотвращения разрыва кабелей под направляющей предусмотрено отверстие для крепежного хомута.

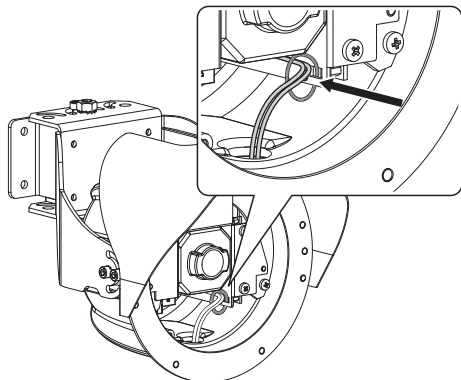



Рис. 24


Вставьте переднюю крышку в корпус кожуха, совместив отверстия для закрытия между крышкой и корпусом.

 Соблюдайте осторожность во избежание повреждения уплотнительного кольца.

Выкрутите ранее выкрученные винты.

Характеристики винтов

- Диаметр/Шаг резьбы винта: M5x0.8
- Материал: A4
- Головка винта: ISO 4762
- Длина: 8mm
- Предел текучести (min): 450N/mm²

 Будьте внимательны при монтаже. Момент затяжки: 9Nm ($\pm 0.5Nm$).

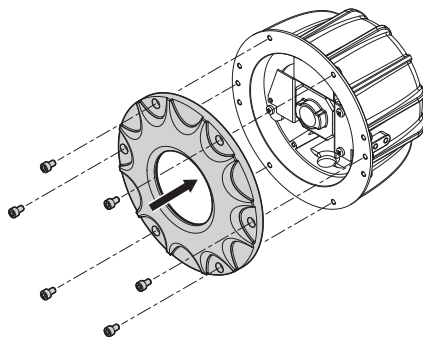


Рис. 25

7 Включение



Убедитесь, что устройство и прочие компоненты системы должным образом закрыты, чтобы предотвратить контакт с частями, находящимися под напряжением.



Убедитесь в том, что все детали надежно закреплены.



Процесс автоматического предварительного подогрева (De-Ice) активируется при каждом включении устройства, если температура окружающей среды ниже -10°C . Данный процесс служит для обеспечения правильного функционирования устройства даже при низких температурах. Продолжительность процедуры предварительного подогрева: 60 минут.

Для того чтобы включить устройство, подключите источник питания.

После включения устройству требуется несколько минут, чтобы быть полностью готовым для использования.

Для того чтобы выключить устройство, отключите источник питания.

8 Конфигурация

8.1 IP-адрес по умолчанию



Устройство настроено таким образом, чтобы получить IP-адрес от сервера DHCP.

IP-адрес, полученный через DHCP, можно посмотреть в файле журнала сервера DHCP.

Если сервер DHCP недоступен, устройство настраивается автоматически, используя самостоятельно сгенерированный IP-адрес в подсети 169.254.x.x/16. Настройка IP-адреса компьютера в той же подсети (пример: IP-адрес: 169.254.1.1, subnet mask: 255.255.0.0).

Для поиска IP-адреса устройства используйте совместимую с ONVIF программу управления видео (VMS) или сетевой анализатор пакетов (сниффер). (Программа сканирования IP).

8.2 Веб-интерфейс

8.2.1 Первый вход на веб-страницу


Первое действие по настройке конфигурации устройства заключается в подключении к веб-интерфейсу.

Чтобы войти в веб-интерфейс устройства, просто используйте браузер для подключения к адресу: `http://IP адрес`.

При первом входе будет отображаться Главная страница.

Для настройки веб-интерфейса ознакомьтесь с инструкцией для установленной версии ПО; инструкция доступна на веб-странице изделия на сайте www.videotec.com.

9 Техническое обслуживание

 Перед проведением каких-либо работ ознакомьтесь с главой руководства под названием "Правила техники безопасности".

9.1 Плановое техническое обслуживание


При обращении за поддержкой в компанию VIDEOTECH предоставьте серийный номер и идентификационный код модели.


9.1.1 Проверка кабелей

На кабелях не должно быть признаков повреждения или износа, способных привести к опасным ситуациям. В этом случае необходимо выполнить техобслуживание кабелей.

9.2 Внеочередное обслуживание

9.2.1 Замена предохранителей

 ПРЕДУПРЕЖДЕНИЕ! Чтобы избежать риска возгорания, при замене предохранителя используйте предохранитель такого же типа и номинала. Замену предохранителя разрешается осуществлять только квалифицированным работникам.

 Для сохранения сертификации cULus Listed предохранитель должен обладать знаком UL Listed (OMEGA GT520226, BUSSMAN S511).

Ниже приводится описание используемого предохранителя.

ЗАМЕНА ПРЕДОХРАНИТЕЛЯ	
Напряжение сети питания	Предохранитель (F1)
24Vac, 50/60Hz	T 2A H 250V 5x20
24Vdc	

Табл. 10

В качестве альтернативы можно использовать предохранитель с аналогичными характеристиками.

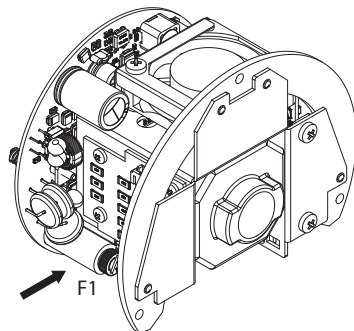


Рис. 26

9.2.2 Замена прокладки

Замените уплотнительное кольцо изделия на прилагаемое.

Откройте и закройте крышку, как указано в предыдущих главах.

Замените уплотнительное кольцо, убедившись, что оно вставлено правильно.

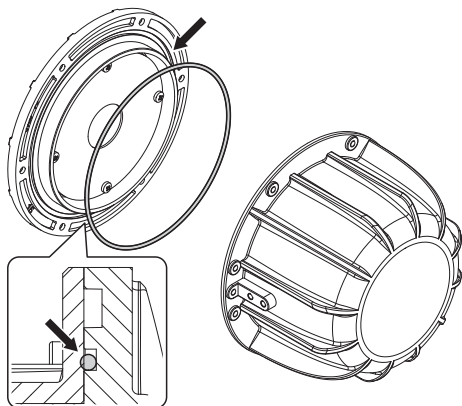


Рис. 27

9.2.3 Factory Default

При необходимости можно выполнить сброс на заводские настройки по умолчанию.

Результат заводских настроек эквивалентен результату настроек через программное обеспечение (руководство Веб-интерфейс, Страница инструментов (Tools), кнопка сброса настроек Hard Reset).

Выполните следующие действия:

- Отключите питание устройства.
- Откройте кожух и снимите направляющие.
- Установите dip-переключатель сброса в положение ON (ВКЛ) (SW1, 6.5 Описание платы кожуха, страница 18).
- Вставьте направляющие и закройте кожух.
- Подключите устройство к сети электропитания. Подождите 2 минуты.
- Отключите питание устройства.
- Откройте кожух и снимите направляющие.
- Установите dip-переключатель сброса в положение OFF (Выкл) (SW1, 6.5 Описание платы кожуха, страница 18).
- Вставьте направляющие и закройте кожух.
- Подключите устройство к сети электропитания.



После установки заводских настроек устройство должно быть настроено так, как описано в соответствующей главе (8.1 IP-адрес по умолчанию, страница 22).

10 Очистка



Перед проведением каких-либо работ ознакомьтесь с главой руководства под названием "Правила техники безопасности".



Частота операций зависит от среды эксплуатации изделия.

10.1 Очистка стеклянного окна

Очистку следует выполнять с помощью мягкого мыльного раствора.

10.2 Очистка устройства



Толщина слоя пыли на внешней поверхности устройства не должна превышать 5mm.



Очистку устройства необходимо производить согласно указаниям, представленным в данной главе, для предотвращения накопления электростатических зарядов.

Очистку устройства необходимо выполнять с помощью влажной ткани; не следует использовать сжатый воздух.

11 Информация об утилизации и переработке

Европейская директива 2012/19/EC Об Отходах Электрического и Электронного Оборудования (RAEE) предписывает, что данные устройства не следует утилизировать вместе с твердыми бытовыми отходами; их сбор осуществляется отдельно для оптимизации потока их утилизации и переработки содержащихся в них материалов, а также снижения воздействия на здоровье людей и окружающую среду в связи с присутствием потенциально опасных веществ.



Значок с изображением зачеркнутого мусорного контейнера присутствует на всей продукции для напоминания об указанном требовании.

Отходы могут доставляться в соответствующие центры по сбору отходов или бесплатно передаваться дистрибьютору, у которого было куплено оборудование, в момент покупки новой аналогичной продукции или без обязательства совершить новую покупку в случае оборудования, чей размер не превышает 25cm.

Для получения более подробной информации о надлежащей утилизации данных устройств вы можете обратиться в уполномоченную государственную организацию.

12 Поиск и устранение неисправностей



Перед проведением каких-либо работ ознакомьтесь с главой руководства под названием "Правила техники безопасности".



Если проблема не описана или не решается, обратитесь в авторизованный сервисный центр.

НЕИСПРАВНОСТЬ

Устройство не включается.

ПРИЧИНА

Неправильная проводка, перегорание предохранителя.

РЕШЕНИЕ

Убедитесь в том, что соединения выполнены надлежащим образом. Проверьте целостность предохранителя и замените его, если он перегорел, на предохранитель указанной модели.

НЕИСПРАВНОСТЬ

Отсутствует видеопоток.

ПРИЧИНА

Некорректные настройки IP-адреса

РЕШЕНИЕ

Проверьте IP-адрес устройства и конфигурацию сетевой платы компьютера.

ПРИЧИНА

Выполняется процедура автоматического предварительного подогрева (De-Ice).

РЕШЕНИЕ

Дождитесь окончания процедуры предварительного подогрева. При слишком низкой температуре воздуха устройство останется заблокированным.

13 Технические характеристики

13.1 Механические хар.

Конструкция из нержавеющей стали марки AISI 316L

Электрополированные внешние поверхности с дробеструйной обработкой

Солнцезащитный козырек

Кронштейны для крепления на стене, потолок или парапете

Вес устройства:

- 6.5kg (только кожух + монтажный кронштейн)
- 8.5kg (кожух с многослойным экранированным кабелем длиной 4m)

13.2 Кабельные муфты

Ввод кабелей: 1 отверстие, 1/2" NPT

Кабельный ввод Ex d 1/2"NPT (только с предварительно установленным кабелем)

13.3 Окно кожуха

Материал: Закаленное стекло

Рабочий диаметр: 73.5mm

13.4 Электрические хар.

Напряжение сети питания/Потребляемый ток

- 24Vac \pm 10%, 1.32A, 50/60Hz
- 24Vdc \pm 5%, 0.9A
- PoE+ (IEEE 802.3at)

Энергопотребление:

- 21W (24Vac, 1.32A, 50/60Hz)
- 20W (24Vdc, 0.9A)
- 21W (PoE+)

Армированный кабель

- Внешний диаметр: 16.8mm \pm 0.4mm
- диаметр под броней: 12.4mm \pm 0.3mm
- Цвет: черный RAL 9005

Конструкция армированного кабеля:

- 3x1.5mm² (15AWG)
- 4x2x0.22mm² (24AWG) (категория 5E F/STP)

13.5 Сеть

Ethernet подключение: 100 Base-TX

Разъем: RJ45

13.6 Камеры

Дневной/ночной режим, Full HD, 10x

Разрешение: Full HD 1080p (1920x1080pixel)

Сигнал системы: 1080p/60fps max

Датчик изображения: 1/3" CMOS sensor

Эффективные pixel: 2.48Megapixel

Минимальное освещение, цвет (ICR-OFF):

- 0.5lx IRE 50%
- 0.125lx IRE 50% (Slow Shutter)

Минимальное освещение, B/W (ICR-ON):

- 0.1lx IRE 50%
- 0.025lx IRE 50% (Slow Shutter)

Объектив:

- От f= 5.1mm (wide) до 51mm (теле)
- От F1.6 до F1.8

Zoom: 10x (320x, с цифровым масштабированием)

Горизонтальный угол обзора: от 54° (wide) до 4.9° (теле)

Минимальное расстояние до объекта: от 100mm (wide) до 1000mm (теле)

Скорость затвора: от 1/8s до 1/30000s, 14 прогоны

Баланс белого (White Balance): Auto, Внутреннее наблюдение (Indoor), Наружное наблюдение (Outdoor), Ручной

Wide Dynamic Range: On/Off (Вкл./Выкл.), Уровень яркости (Light level)

Управление экспозицией: Auto, Ручной, Приоритет затвора, Приоритет диафрагмы, Яркость (Brightness)

Отношение сигнал-шум: 50dB

De-fog: Off, Auto, Ручной

Маскировка приватных зон: максимум 8 настраиваемых масок

Компенсации встречной засветки (Backlight Compensation)

Стабилизация цифрового изображения: On/Off (Вкл./Выкл.)

Day/Night Full HD 3x

Разрешение: Full HD 1080p (1920x1080pixel)

Сигнал системы: 1080p/30fps max

Датчик изображения: 1/2" type Exmor™ CMOS sensor

Эффективные pixel: 2.17Megapixel

Минимальное освещение, цвет (ICR-OFF):

- 0.15lx, (1/30s)
- 0.0375lx, (1/7.5s), (Slow Shutter)

Минимальное освещение, B/W (ICR-ON):

- 0.1lx, (1/30s)
- 0.002lx, (1/7.5s), (Slow Shutter)

Объектив:

- От f= 3.6mm (wide) до 10mm (теле)
- От F1.5 до F2.7

Zoom: 3x (96x с цифровым масштабированием)

Горизонтальный угол обзора: От 88.4° (wide) до 40.7° (теле)

Минимальное расстояние до объекта: 1000mm) (wide to tele)

Скорость затвора: От 1/8s до 1/30000s, 14 прогоны

Баланс белого (White Balance): Auto, Внутреннее наблюдение (Indoor), Наружное наблюдение (Outdoor), Ручной

Wide Dynamic Range: On/Off

Управление экспозицией: Auto, Ручной, Приоритет диафрагмы, Приоритет затвора, Яркость (Brightness)

Отношение сигнал-шум: 50dB

De-fog: On/Off, Auto, Manual

Маскировка приватных зон: максимум 8 настраиваемых масок

Компенсации встречной засветки (Backlight Compensation)

Стабилизация цифрового изображения: On/Off

13.7 Окружающая среда

Для установки внутри помещений и наружной установки

Температура согласно сертификату: от -40°C до +65°C (Т6/Т85°C) или +70°C (Т5/Т100°C)

Рабочая температура:

- Непрерывная работа: от -40°C до +65°C
- Проведены испытания на воздействие температуры в соответствии с NEMA-TS 2-2003 (R2008) п. 2.1.5.1, профиль испытания рис. 2-1 (от -34 °C до + 74 °C) (только для моделей с Камера Day/Night с 10-кратным увеличением, FullHD)
- Срабатывание функции защиты от обледенения (холодный запуск): от -40°C до -10°C

Относительная влажность: от 5% до 95%

13.8 Сертификаты

Электробезопасность (CE): EN60950-1, IEC60950-1, EN62368-1, IEC62368-1

Электромагнитная совместимость (CE): EN61000-6-4, EN61000-3-2, EN61000-3-3, EN50130-4, EN55032 (Класс A)

RoHS (CE): EN IEC 63000

Наружная установка (CE): EN60950-22, IEC60950-22

Степень защиты IP (EN/IEC60529): IP66, IP67, IP68 (2 ч, 5м), IP69

Испытание на виброустойчивость: EN50130-5, EN60068-2-6

Сертификат UL (UL60950-1, CAN/CSA C22.2 No. 60950-1-07, UL62368-1 CAN/CSA C22.2 № 62368-1-14): cULus Listed

Электромагнитная совместимость (Северная Америка): FCC part 15 (Класс A), ICES-003 (Класс A)

Степень защиты Тип (UL50E): 4X, 6P

Сертификат BIS: IS 13252 (PART 1)/IEC60950-1 (сертификат распространяется только на следующие коды: MMX2D0ZA)

Сертификат KC (сертификат распространяется только на следующие коды: MMX2COZJ)

RCM (Australian and New Zealand Regulatory Compliance Mark)

Соответствует NDAA

13.9 Сертификаты - Взрывобезопасное применение

ATEX (EN IEC 60079-0, EN 60079-1, EN 60079-31)

IECEX (IEC 60079-0, IEC 60079-1, IEC 60079-31)

EAC EX (TR CU 012/2011)

INMETRO (ABNT NBR IEC 60079-0, ABNT NBR IEC 60079-1, ABNT NBR IEC 60079-31)

KCs (Employment and labor department 2021-22)

UL listed for USA (UL 60079-0, UL 60079-1, UL 60079-31)

UL listed for Canada (CAN/CSA-C22.2 NO. 60079-0, CAN/CSA-C22.2 NO. 60079-1, CAN/CSA-C22.2 NO. 60079-31)

UK Ex (EN IEC 60079-0, EN 60079-1, EN 60079-31)

13.10 Сертификаты - Морское применение

Сертификат соответствия требованиям Lloyd's Register Marine Type Approval (только для моделей с Камера Day/Night с 10-кратным увеличением, FullHD):

- Test Specification Number 1 (ENV1, ENV2, ENV3, ENV5)

Электромагнитная совместимость: EN60945

Защита от солевого тумана: EN60068-2-52

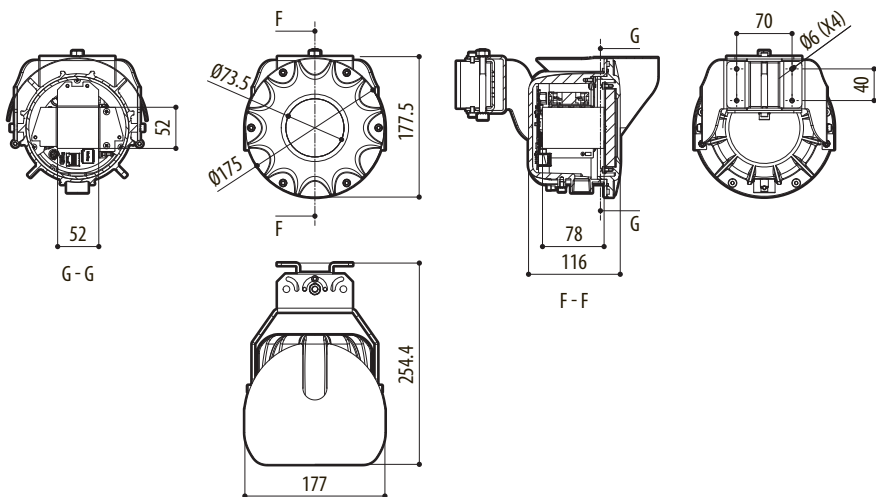
Устройство успешно прошло испытание при 70°C в течение 16 часов в соответствии с EN60068-2-2

14 Технические чертежи



Размеры указаны в миллиметрах.

КРЕПЛЕНИЕ НА НАСТЕННЫЙ



КРЕПЛЕНИЕ НА ПАРАПЕТ ИЛИ ПОСТАМЕНТ

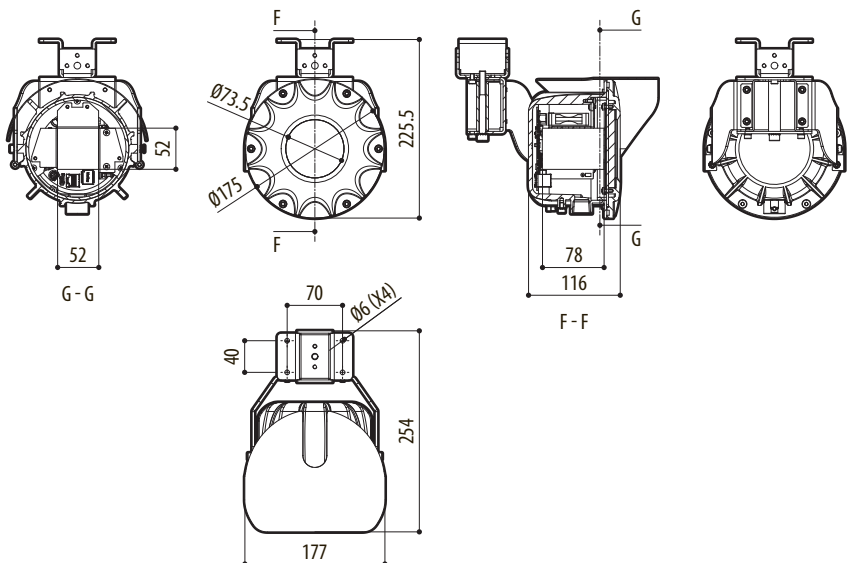


Рис. 28 MAXIMUS MMX.



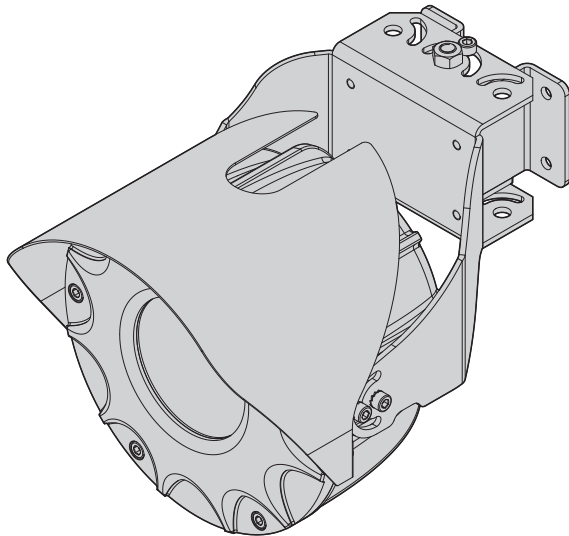
Headquarters Italy VIDEOTEC s.r.l.
Via Friuli, 6 - I-36015 Schio (VI) - Italy
Tel. +39 0445 697411 - Fax +39 0445 697414
Email: info@videotec.com
www.videotec.com

MNVCMMX_2223_RU



MAXIMUS MMX

Câmera de vídeo FULL HD flameproof, com design compacto



Sumário

1	Informações neste manual	5
1.1	Convenções tipográficas	5
2	Direitos autorais e informações sobre marcas registradas	5
3	Normas de segurança	5
4	Descrição e designação do produto	8
4.1	Panorâmica do produto	8
4.2	Campo de utilização	9
4.3	Condições específicas de uso	9
4.4	Grupo de gases, grupo de pós e temperaturas	9
4.5	Entrada cabos	9
4.6	Etiqueta de marcação do produto	10
4.7	Apenas para referência norma UL/CSA	11
	Instruções importantes para a segurança	11
	Etiqueta de marcação	11
	Conexões	12
	Referências normativas	12
4.8	Identificação do modelo	13
5	Preparação do produto para o uso	14
5.1	Desembalagem	14
5.2	Conteúdo	14
5.3	Eliminação segura dos materiais de embalagem	14
6	Instalação	14
6.1	Opções de instalação	15
6.1.1	Fixação ao parapeito ou ao teto	16
6.1.2	Fixação na parede	17
6.2	Fixação do teto	17
6.3	Abertura da caixa	18
6.4	Retirada do cursor	18
6.5	Descrição da placa da caixa	18
6.6	Ligação da linha de alimentação	19
6.6.1	Ligação da linha de alimentação, 24Vac/24Vdc (versão do produto sem cabos)	19
6.6.2	Ligação da linha de alimentação, PoE+ (versão do produto sem cabos)	19
6.6.3	Ligação da linha de alimentação, 24Vac/24Vdc (versão do produto com cabos)	19
6.6.4	Ligação da linha de alimentação, PoE+ (versão do produto com cabos)	19
6.7	Conexão do cabo Ethernet	20
6.7.1	Ligação do cabo da rede Ethernet (versão do produto com cabos)	20
6.8	Ligação equipotencial de terra	20
6.9	Fechamento da caixa	21
7	Acendimento	22
8	Configuração	22
8.1	Endereço IP padrão	22

8.2 Interface web.....	22
8.2.1 Primeiro acesso às páginas da Web	22
9 Manutenção	23
9.1 <u>Manutenção ordinária</u>	23
9.1.1 <u>Controle dos cabos</u>	23
9.2 <u>Manutenção extraordinária</u>	23
9.2.1 <u>Substituição dos fusíveis</u>	23
9.2.2 <u>Substituição da guarnição</u>	24
9.2.3 <u>Factory Default</u>	24
10 Limpeza	25
10.1 <u>Limpeza da janela de vidro</u>	25
10.2 <u>Limpeza do produto</u>	25
11 Informações sobre descarte e reciclagem	25
12 Solução de problemas	26
13 Dados técnicos.....	26
13.1 Mecânica	26
13.2 Prensa cabos.....	26
13.3 Janelas para caixa	26
13.4 Elétrico	26
13.5 Rede	26
13.6 Câmaras	27
13.7 Ambiente	28
13.8 Certificações	28
13.9 Certificações - Aplicações à prova de explosões.....	28
13.10 Certificações - Aplicações marinhas	28
14 Desenhos técnicos.....	29

1 Informações neste manual

Antes de instalar e utilizar este produto, leia com atenção toda a documentação fornecida. Manter o manual ao alcance da mão para consultas futuras.

1.1 Convenções tipográficas



DANGER!

Perigo de explosão.

Ler com cuidado para evitar o risco de explosão.



DANGER!

Periculosidade alta.

Risco de choque elétrico. Antes de fazer qualquer operação, certificar-se de desligar o produto, salvo indicação em contrário.



ATENÇÃO!

Periculosidade média.

A operação é muito importante para o funcionamento adequado do sistema. Por favor, ler com atenção os passos e executar na forma prescrita.



INFO

Descrição das características do sistema. Por favor, ler com atenção para compreender os próximos passos.

Títulos sublinhados

As informações estão vinculadas pelas certificações.

2 Direitos autorais e informações sobre marcas registradas

Os nomes dos produtos ou das empresas citadas são marcas comerciais ou marcas comerciais registradas pertencentes às respectivas sociedades.

ONVIF® é uma marca de propriedade da Onvif, Inc.

3 Normas de segurança



DANGER!

Perigo de explosão.

Ler com cuidado para evitar o risco de explosão.

- A instalação e a manutenção do aparelho devem ser realizadas por técnicos especializados conforme a norma de referência aplicável, EN/IEC 60079-14, EN/IEC 60079-17, e as normas nacionais.
- Não abrir o dispositivo se alimentado e na presença de atmosfera explosiva.
- Executar a instalação utilizando os utensílios adequados. Pode ser necessário o uso de utensílios específicos no local onde o dispositivo será instalado.
- Efetuar todas as ligações, as intervenções de instalação e manutenção em uma atmosfera não explosiva.
- A conexão equipotencial é obrigatória para evitar risco de ignição para produtos instalados em atmosferas potencialmente explosivas.
- Em atmosferas explosivas, antes de alimentar o produto, confirme que esteja corretamente fechado.
- A temperatura da superfície do dispositivo aumenta, no caso da exposição direta à luz do sol. A classe da temperatura da superfície do dispositivo foi calculada apenas em temperatura ambiente, sem considerar a exposição direta à luz solar.
- Certifique-se de que todos os aparelhos sejam aprovados para a utilização no ambiente no qual serão instalados.
- A realização de alterações não aprovadas expressamente pelo fabricante invalidará a garantia.

**DANGER!****Periculosidade alta.**

Risco de choque elétrico. Antes de fazer qualquer operação, certificar-se de desligar o produto, salvo indicação em contrário.

- Faça instalação e manutenção sem alimentação e com o disjuntor aberto.
- O sistema elétrico deve ser fornecido com um seccionador de rede facilmente identificável e útil, caso seja necessário.
- A instalação elétrica à qual a unidade é ligada deve ter um interruptor de proteção bipolar automático de no 10A max. A distância mínima entre os contatos do interruptor de proteção deve ser de 3mm. O interruptor deve ser dotado de proteção contra sobrecorrente (magnetotérmico).
- O aparelho estará desativado apenas quando a alimentação não estiver inserida e os cabos de ligação com outros dispositivos forem retirados.
- Não usar cabos com sinais de desgaste ou envelhecimento.
- Todos os cabos seguem as normas IEC60332-1-2, IEC 60332-1-3 e IEC/EN60079-14.
- No momento da instalação, controlar se as características de alimentação fornecidas pelo sistema correspondem àquelas solicitadas pelo dispositivo.
- Para assegurar o tipo de proteção à prova de explosão, substituir os fusíveis por outros do mesmo tipo e valor. Os fusíveis devem ser substituídos somente por pessoal qualificado.
- O aparelho não é adequado para o uso em locais em que é provável a presença de crianças.

**ATENÇÃO!****Periculosidade média.**

A operação é muito importante para o funcionamento adequado do sistema. Por favor, ler com atenção os passos e executar na forma prescrita.

- Garantir que a instalação esteja em conformidade com as normas locais.
- Realizar conexões e testes de laboratório antes de instalação in loco.
- Verificar que a fonte e o cabo de alimentação estejam dimensionados adequadamente.
- Utilizar cabos apropriados para suportar as temperaturas de funcionamento.
- Todos os cabos desligados devem ter isolamento elétrico.
- O produto pode ser instalado em qualquer posição.
- Antes do fornecimento de energia garantir que o aparelho seja firmemente ancorado.
- O fabricante exime-se de todas as responsabilidades por eventuais danos, de todos os aparelhos mencionados neste manual, derivados da violação, uso de peças de reposição não originais, instalações, manutenção e reparação efetuadas por pessoal não preparado.
- Use somente peças de reposição VIDEOTEC originais. Siga atentamente as instruções de manutenção que acompanham cada kit de reposição.
- Para ter a assistência técnica, entrar em contato com um profissional qualificado.
- A reparação deste produto deve ser efetuada por pessoal treinado adequadamente ou com a supervisão do pessoal VIDEOTEC em conformidade com as normas previstas: IEC/EN60079-19.
- O tipo de instalação TNV-1. Não conectar circuitos SELV.
- Manipular o produto com atenção, para evitar contatos acidentais, quinas e cantos afiados.

**INFO****Descrição das características do sistema.****Por favor, ler com atenção para compreender os próximos passos.**

- Antes de prosseguir com a instalação, verificar se o material fornecido corresponde às necessidades específicas examinando as etiquetas de marcação.
- O aparelho é destinado para a instalação em uma Área com Acesso Limitado efetuada por pessoal técnico especializado.
- O fabricante exime-se de todas as responsabilidades por eventuais danos derivados do uso impróprio dos aparelhos mencionados neste manual. Reserva-se, no entanto, o direito de modificar o conteúdo sem prévio aviso. A coleta e a verificação da documentação contida neste manual foram efetuadas com muito cuidado. O fabricante, contudo, não pode assumir alguma responsabilidade derivada da utilização da mesma. O mesmo aplica-se para cada pessoa ou sociedade envolvida na criação e produção deste manual.
- Dado que a responsabilidade da escolha da superfície de ancoragem da unidade recai sobre o usuário, o fabricante não fornece os dispositivos de fixagem para a ancoragem da unidade na superfície. O instalador é responsável pela seleção de dispositivos adequados para a superfície de que dispõe. Recomenda-se o uso de métodos e materiais capazes de suportar um peso de, pelo menos, 4 vezes maior do que a do aparelho.
- É aconselhável, em todos os eventos de manutenção, reconduzir o produto ao laboratório para realizar as operações necessárias.
- Esse é um produto de Classe A. Em um ambiente residencial esse produto pode provocar perturbações rádio. Nesse caso pode ser pedido ao usuário de tomar as medidas adequadas.
- Para estar em conformidade com os requisitos da norma sobre os abaixamentos e as breves interrupções da tensão de alimentação, utilizar um adequado grupo de continuidade (UPS) para alimentar a unidade.
- O dispositivo deve ser alimentado por uma fonte de alimentação PS2
- Para alimentar o produto utilizar um transformador de segurança e/ou um alimentador com tensão contínua isolado, com características adequadas. As características de alimentação na saída não devem superar os valores indicados a seguir. Fonte de alimentação: 24Vac ($\pm 10\%$) ou 24Vdc ($\pm 5\%$).
- No caso de alimentação em 24Vac, deve ser preparada uma separação adequada da linha de alimentação AC, fornecendo um isolamento duplo ou reforçado entre a linha de alimentação principal e o circuito secundário.

PT - Português - Manual de instruções

A caixa à prova de explosão MMX foi projetada para instalações em ambientes potencialmente explosivos e construída em aço inox AISI 316L, tratadas com jato-percussão e eletropolimento. É possível alimentar a caixa em 24Vac ou 24Vdc, ou por um cabo Ethernet (PoE+). A caixa é equipada com uma entrada 1/2" NPT. A caixa MMX tem grau de proteção IP66/IP68/IP69 e pode ser instalada, conforme a classe, em ambientes com temperaturas variando entre -40°C e +70°C.

4 Descrição e designação do produto

4.1 Panorâmica do produto

São ilustrados abaixo os componentes principais do produto.

01. Suporte de fixação.
02. Suporte de reforço.
03. Suporte da caixa.
04. Espaçador.
05. Parafuso M8x80.
06. Cobertura.
07. Caixa.

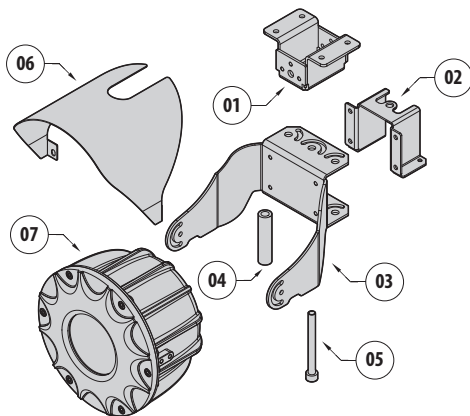


Fig. 1

4.2 Campo de utilização

Usando a unidade está definida para a utilização em um local fixo para o monitoramento de áreas com atmosferas potencialmente explosivas classificadas 1-21 ou 2-22.

A unidade é construída e certificada de acordo com a Diretiva 2014/34/UE e padrões IECEx internacionais que definem o campo de aplicação e os requisitos mínimos de segurança.

4.3 Condições específicas de uso

A superfície externa do produto não deve jamais ser coberta por mais de 5 mm de poeira.

Para evitar o acúmulo de cargas eletrostáticas durante a limpeza, o dispositivo deve ser limpo usando um pano úmido.

As câmeras a serem instaladas não devem ser eletromagnéticas ou conter lasers, fontes de ondas contínuas ou equipamentos que irradiem energia ultrassônica.

As câmeras instaláveis não devem conter pilhas ou baterias.

As câmeras de vídeo devem ser de formas geométricas básicas.

Temperatura ambiente e temperatura da superfície: ver as instruções.

Contatar o fabricante para informações sobre as dimensões da junta à prova de chamas.

4.4 Grupo de gases, grupo de pós e temperaturas

O dispositivo é certificado para o grupo IIB (gás) e o grupo IIIC (pós).

Temperatura ambiente: -40°C/+65°C ou +70°C.

CLASSE DE TEMPERATURA	TEMPERATURAS AMBIENTE MÁXIMA
T6 / T85°C	+65°C
T5 / T100°C	+70°C

Tab. 1

4.5 Entrada cabos

Todos os prensa-cabos devem ter certificação antiexplosão de maneira apropriada, com tipo de proteção e à prova de explosão "db" e "tb", adequados para as condições de utilização, e instalados corretamente.

Quando forem usados conduítes, também deve ser usada uma conexão de bloqueio com certificação antiexplosão, de maneira apropriada, com o tipo de proteção e à prova de explosão "db" e "tb", adequados para as condições de utilização e instalados corretamente.

A conexão de bloqueio deve ser colocada dentro de 50mm (1.97in) do dispositivo.

As temperaturas dos cabos de entrada são especificadas na marcação.

Para manter o grau IP do produto, use prensa-cabo com grau adequado de proteção e aplique às rosca lubrificante conforme a IEC/EN60079-14.

4.6 Etiqueta de marcação do produto

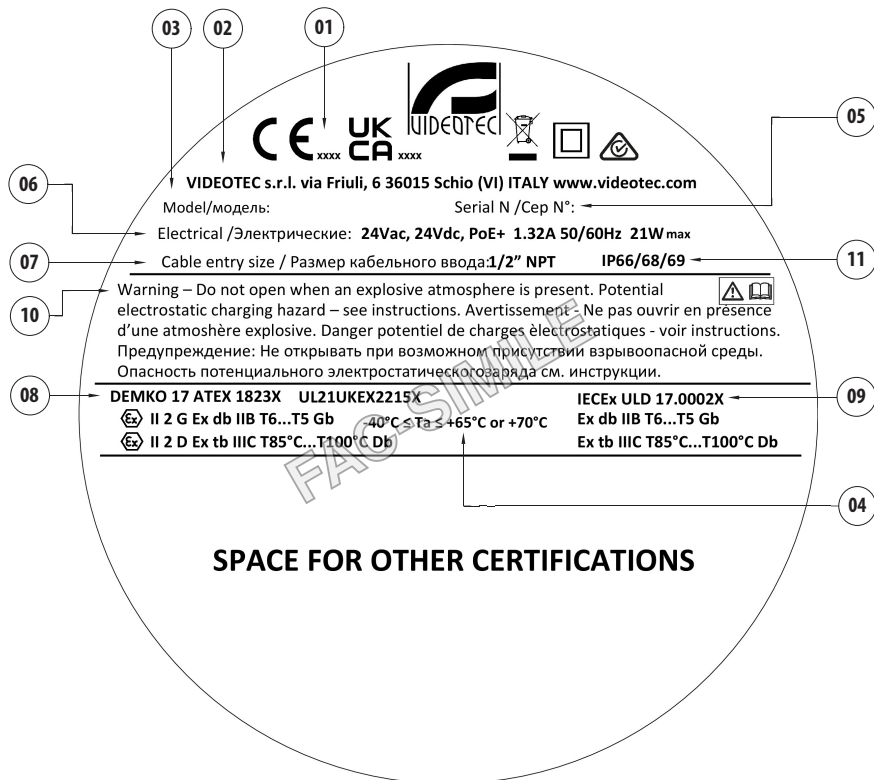


Fig. 2

- Número do organismo acreditado que fornece a avaliação da qualidade.
- Nome e endereço do fabricante.
- Modelo.
- Temperatura ambiente de utilização.
- O número de série é composto por 12 algarismos, cujas segunda e terceira cifra definem os últimos dois números do ano de produção.
- Características elétricas (tensão V, frequência Hz, corrente A, potência W).
- Tipo, dimensão e número de cabos de entrada
- Marcação ATEX. A classe de temperatura depende dos componentes eletrônicos instalados no interior e da temperatura ambiente.
- Marcação IECEx. A classe de temperatura depende dos componentes eletrônicos instalados no interior e da temperatura ambiente.
- Advertências.
- Grau de proteção IP.

4.7 Apenas para referência norma UL/CSA



As juntas à prova de chamas devem ser consertadas.



Nos Estados Unidos, o National Electrical Code (NEC), e no Canadá, o Canadian Electrical Code (CEC), são aplicados aparelhos elétricos usados em ambientes industriais perigosos. Esses códigos contêm os requisitos para a instalação de equipamentos elétricos em todas as áreas e fazem referência a uma série de outras normas e instruções com especificações para a construção e a instalação dos aparelhos adequados.

Instruções importantes para a segurança

WARNING: A SEAL SHALL BE INSTALLED WITHIN 50 mm OF THE ENCLOSURE.

AVERTISSEMENT: UN SCELLEMENT DOIT ÊTRE INSTALLÉ À MOINS DE 50 mm DU BOÎTIER.

WARNING: "CABLE ENTRY AND BRANCHING POINT IS 83.2°C AT +65°C AMBIENT AND 88.2°C AT +70°C AMBIENT. USE SUITABLE CABLE AND CABLE GLANDS".

AVERTISSEMENT: LA TEMPÉRATURE DE L'ENTRÉE DE CÂBLE ET DU POINT DE BRANCHEMENT EST DE 83.2°C JUSQU'À + 65°C AMBIANT ET DE 88.2°C JUSQU'À + 70°C AMBIANT. UTILISEZ LE CÂBLE ET LES PRESSE-ÉTOUPES APPROPRIÉS.

WARNING: DO NOT OPEN WHEN EXPLOSIVE ATMOSPHERE IS PRESENT.

AVERTISSEMENT - NE PAS OUVRIR EN PRÉSENCE D'UNE ATMOSPHÈRE EXPLOSIVE

WARNING: POTENTIAL ELECTROSTATIC CHARGING HAZARD – SEE INSTRUCTIONS.

AVERTISSEMENT - DANGER POTENTIEL DE CHARGES ÉLECTROSTATIQUES - VOIR INSTRUCTIONS

Etiqueta de marcação



Fig. 3

NEMA Types: TYPE 4X, TYPE 6P

Conexões



A escolha das conexões deve seguir as normas locais vigentes.

Prensa cabos: seleccione um prensa-cabo conforme a UL2225 com a seguinte protecção AEx d IIC e C22.2 com as seguintes proteções Ex d IIC em conformidade com a marcação do produto.

Conduíte: é necessário instalar um dispositivo de retenção com no máximo 50 mm na entrada do produto quando é usado o conduíte.

Referências normativas

UL 60950-1, 2nd Edition, 2019-05-09 (Information Technology Equipment - Safety - Part 1: General Requirements)

CAN/CSA C22.2 No. 60950-1-07, 2nd Edition, 2014-10 (Information Technology Equipment - Safety - Part 1: General Requirements)

UL 62368-1, 2nd Ed, 2014-12-01 (Audio/video, information and communication technology equipment Part 1: Safety requirements)

CAN/CSA C22.2 No. 62368-1-14, 2nd Ed, Issued: 2014-12-01 (Audio/video, information and communication technology equipment Part 1: Safety requirements)

UL 60079-0, 7th Edition, Explosive atmospheres - Part 0: Equipment - General requirements

UL 60079-1, 7th Edition, Explosive Atmospheres - Part 1: Equipment Protection by Flameproof Enclosures "d"

UL 60079-31, 2nd Edition, Explosive Atmospheres - Part 31: Equipment Dust Ignition Protection by Enclosure "t"

CSA C22.2 No. 60079-0:19, Explosive atmospheres - Part 0: Equipment - General requirements

CSA C22.2 No. 60079-1:16, Explosive Atmospheres - Part 1: Equipment Protection by Flameproof Enclosures "d"

CSA C22.2 No. 60079-31:15, Explosive Atmospheres - Part 31: Equipment Dust Ignition Protection by Enclosure "t"

4.8 Identificação do modelo

MAXIMUS MMX - OPÇÕES DE CONFIGURAÇÃO					
	Tensão	Câmara	Conexões	Saída de vídeo	Perfis ONVIF
MMX	2 24Vdc/ 24Vac, PoE+	4 Câmara de vídeo dia/ noite zoom 3x, FullHD	0 Sem cabo, sem prensa-cabo	Z IP	A Em conformidade com ONVIF, Perfil Q, Perfil S e Perfil T
		D Câmara de vídeo dia/noite, zoom 10x, FullHD	A Prensa-cabo Ex d 1/2" NPT e cabo armado de 4m		J Em conformidade com ONVIF, perfil S e perfil T
			B Prensa-cabo Ex d 1/2" NPT e cabo armado de 10m		

Tab. 2

MAXIMUS MMX - CERTIFICAÇÕES E MARCAÇÕES (COM CABO)			
Certificado	Marcação	Temperatura ambiente	Temperatura de entrada dos cabos
ATEX	Ⓜ II 2 G Ex db IIB T6...T5 Gb Ⓜ II 2 D Ex tb IIIC T85°C...T100°C Db	-40°C ≤ Ta ≤ +65°C or +70°C	+83.2°C com Ta ≤ +65°C +88.2°C com Ta ≤ +70°C
IECEX	Ex db IIB T6...T5 Gb Ex tb IIIC T85°C...T100°C Db		
EAC Ex	1Ex db IIB T6...T5 Gb X Ex tb IIIC T85°C...T100°C Db X		
INMETRO	Ex db IIB T6...T5 Gb Ex tb IIIC T85°C...T100°C Db		
UK Ex	Ⓜ II 2 G Ex db IIB T6...T5 Gb Ⓜ II 2 D Ex tb IIIC T85°C...T100°C Db		

Tab. 3

MAXIMUS MMX - CERTIFICAÇÕES E MARCAÇÕES (SEM CABO)			
Certificado	Marcação	Temperatura ambiente	Temperatura de entrada dos cabos
ATEX	Ⓜ II 2 G Ex db IIB T6...T5 Gb Ⓜ II 2 D Ex tb IIIC T85°C...T100°C Db	-40°C ≤ Ta ≤ +65°C or +70°C	+83.2°C com Ta ≤ +65°C +88.2°C com Ta ≤ +70°C
IECEX	Ex db IIB T6...T5 Gb Ex tb IIIC T85°C...T100°C Db		
EAC Ex	1Ex db IIB T6...T5 Gb X Ex tb IIIC T85°C...T100°C Db X		
KCs	Ex db IIB T6...T5 Gb Ex tb IIIC T85°C...T100°C Db		
INMETRO	Ex db IIB T6...T5 Gb Ex tb IIIC T85°C...T100°C Db		
Hazardous Location America	Class I, Zone 1, AEx db IIB T6...T5 Gb Zone 21, AEx tb IIIC T85°C...T100°C Db Class I, Div 2 Group C, D T6...T5 Class II, Div 2, Group F and G T6...T5		
Hazardous Location Canada	Ex db IIB T6...T5 Gb X Ex tb IIIC T85°C...T100°C Db X Class I, Div 2 Group C, D T6...T5 Class II, Div 2, Group F and G T6...T5		
UK Ex	Ⓜ II 2 G Ex db IIB T6...T5 Gb Ⓜ II 2 D Ex tb IIIC T85°C...T100°C Db		

Tab. 4

5 Preparação do produto para o uso



Antes de realizar qualquer tipo de intervenção leia com atenção o capítulo "Normas de segurança" do presente manual.

5.1 Desembalagem

Na entrega do produto, verificar se a embalagem está íntegra e se possui sinais evidentes de quedas ou abrasões.

Em caso de sinais evidentes de dano à embalagem, contatar imediatamente o fornecedor.

Em caso de restituição do produto defeituoso é recomendada a utilização da embalagem original para o transporte.

Conservar a embalagem caso seja necessário enviar o produto em reparação.

5.2 Conteúdo

Controlar se o conteúdo corresponde à lista do material abaixo indicada:

- Invólucro flameproof
- Kit de reposição do O-ring
- Conjunto de suporte
- Manual de instruções

5.3 Eliminação segura dos materiais de embalagem

Os materiais de embalagem são constituídos inteiramente por material reciclável. O técnico que fizer a instalação deve eliminá-los segundo as regras de coleta seletiva ou segundo as regras existentes no País de utilização.


6 Instalação



Antes de realizar qualquer tipo de intervenção leia com atenção o capítulo "Normas de segurança" do presente manual.

Recomenda-se utilizar exclusivamente acessórios e suportes aprovados para a instalação.

6.1 Opções de instalação

 O eixo do parafuso M8 deve estar sempre na posição vertical.

O pessoal que acompanha pode instalar o produto nas posições ilustradas abaixo.

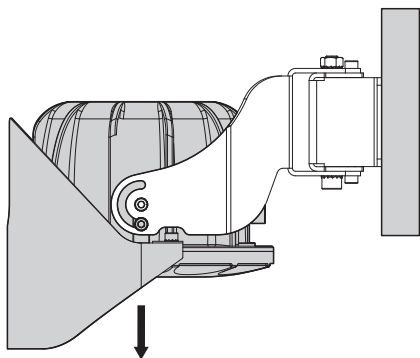


Fig. 4 Exemplo de instalação na parede, rotação vertical, -90° .

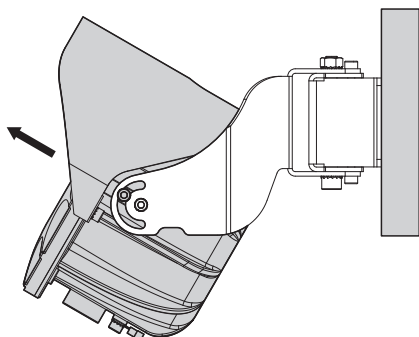


Fig. 5 Exemplo de instalação na parede, rotação vertical, $+30^\circ$.

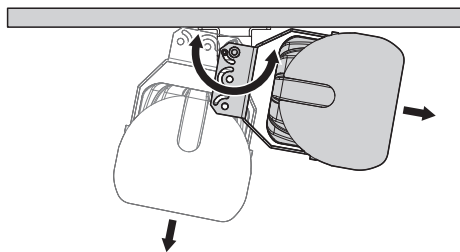


Fig. 6 Exemplo de instalação na parede, rotação horizontal, de 26° até 80° .

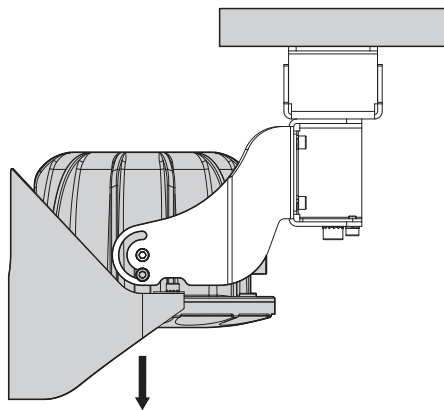


Fig. 7 Exemplo de instalação em parapeito, rotação vertical, -90° .

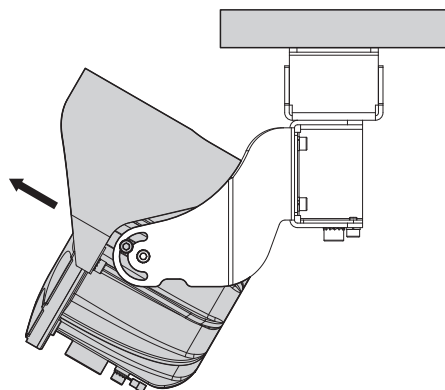


Fig. 8 Exemplo de instalação em parapeito, rotação vertical, $+30^\circ$.

6.1.1 Fixação ao parapeito ou ao teto

O produto pode ser instalado em parapeitos ou tetos.

Fixe o suporte de fixação (01) na superfície pretendida.

Apertar os parafusos.

Monte o suporte de reforço (02) no suporte da caixa (03) usando os parafusos M5 e as arruelas 5 fornecidas. Fixe os 2 suportes montados ao suporte de fixação (01) usando o parafuso M8 (05), a arruela dentada 8 e o espaçador relativo (04). Depois de definir a posição final do produto, apertar bem o parafuso M8 (05) e fixar o parafuso M5 (08) para impedir a rotação.

O cabo, conectado à caixa, poderia atrapalhar. Depois de desmontar o teto, é possível girar a caixa 180° (6.2 Fixação do teto, página 17).

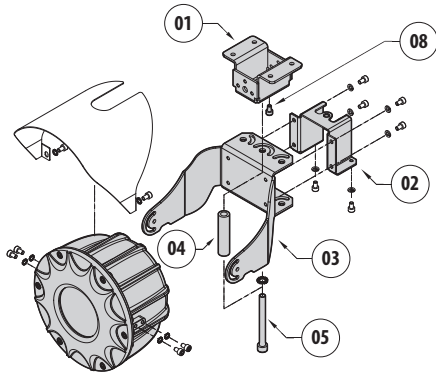


Fig. 9 Fixação no teto (caixa na posição normal).

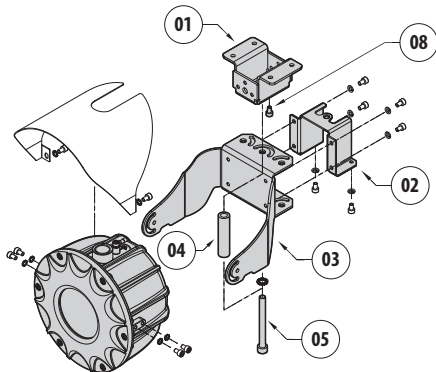


Fig. 10 Fixação no teto (caixa na posição invertida).

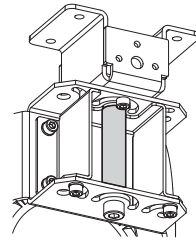


Fig. 11 Vista posterior da instalação completa.

A fixação em parapeito ou teto varia conforme o posicionamento do suporte de fixação.

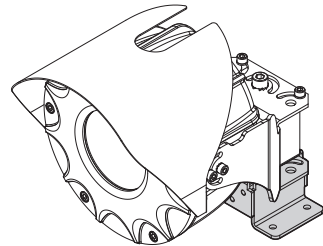


Fig. 12 Fixação ao parapeito.

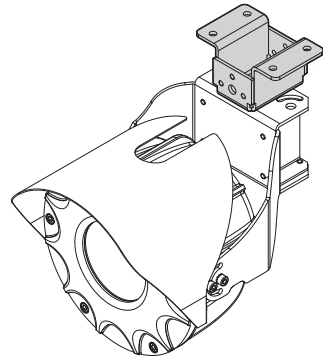


Fig. 13 Fixação no teto.



Prestar atenção durante a fixação. Torque de aperto: parafusos M5, 9Nm (± 0.5 Nm). Parafuso M8, 16.5Nm (± 0.5 Nm).

6.1.2 Fixação na parede

O produto pode ser instalado na parede.

Fixe o suporte de fixação (01) na superfície pretendida.

Apertar os parafusos.

Monte o suporte da caixa (03) no suporte de fixação (01) usando o parafuso M8 (05), a arruela e a porca.

Depois de definir a posição final do produto, aperte bem o parafuso M8 (05) e fixe os parafusos M5 (08) para impedir a rotação.

O cabo, conectado à caixa, poderia atrapalhar. Depois de desmontar o teto, é possível girar a caixa a 180° (6.2 Fixação do teto, página 17).

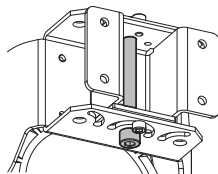


Fig. 16 Vista posterior da instalação completa.

⚠ Prestar atenção durante a fixação. Torque de aperto: parafusos M5, 9Nm (± 0.5 Nm). Parafuso M8, 16.5Nm (± 0.5 Nm).

6.2 Fixação do teto

O produto é fornecido com o teto já instalado.

Se necessário para instalação ou manutenção é possível desmontar o teto. Solte os parafusos do teto e retire-o.

Recoloque o teto antes de fixar a caixa no suporte da caixa.

⚠ Prestar atenção durante a fixação. Torque de aperto: 6Nm (± 0.5 Nm).

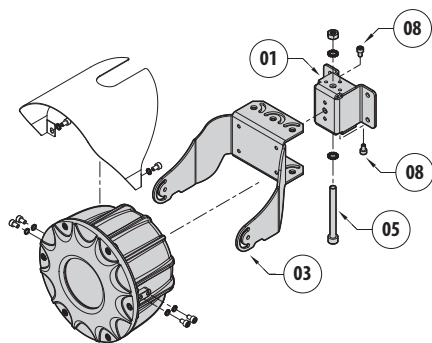


Fig. 14 Caixa na posição normal.

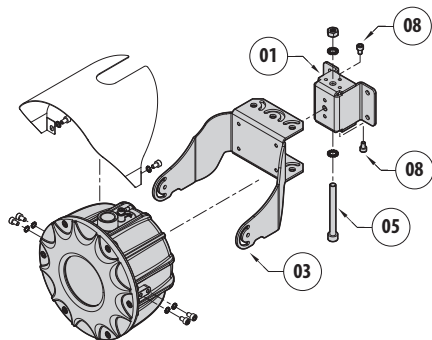


Fig. 15 Caixa na posição invertida.

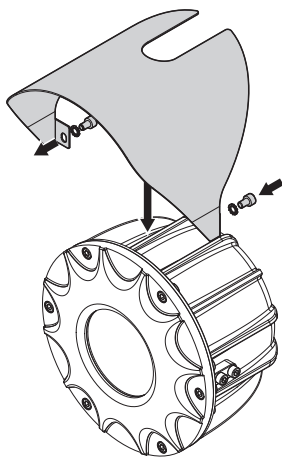


Fig. 17

6.3 Abertura da caixa



Antes de realizar qualquer tipo de intervenção leia com atenção o capítulo "Normas de segurança" do presente manual.

Desparafusar os parafusos de fechamento e retirar a tampa frontal do corpo da caixa.

Características dos parafusos

- Diâmetro/Passo do parafuso: M5x0.8
- Material: A4
- Cabeça do parafuso: ISO 4762
- Comprimento: 8mm
- Tensão de limite elástico (min): 450N/mm²

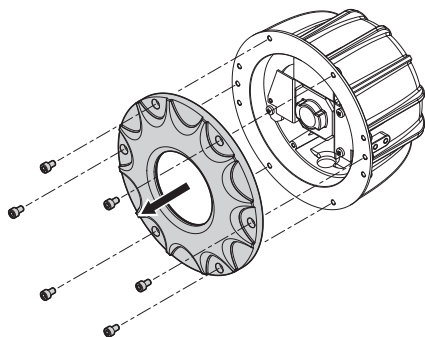


Fig. 18

6.4 Retirada do cursor

Solte os 3 parafusos philips M4 para extrair o cursor. Antes de extrair o cursor, verifique se os cabos não estão presos pela abraçadeira.

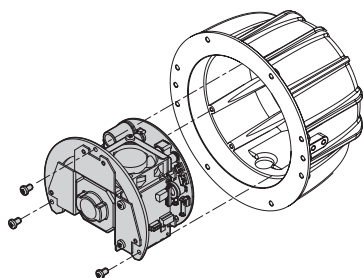


Fig. 19

6.5 Descrição da placa da caixa

DESCRIÇÃO DA PLACA	
Conector/ Borne	Função
J1	Linha de Alimentação (24Vac/24Vdc)
J4	Aquecimento
J5	Teste placa
J6	Ventoinha
J7	Conexão ao codificador de vídeo
J8	Ethernet, alimentação PoE+
F1	Fusível
SW1	Dip-switch de reset

Tab. 5

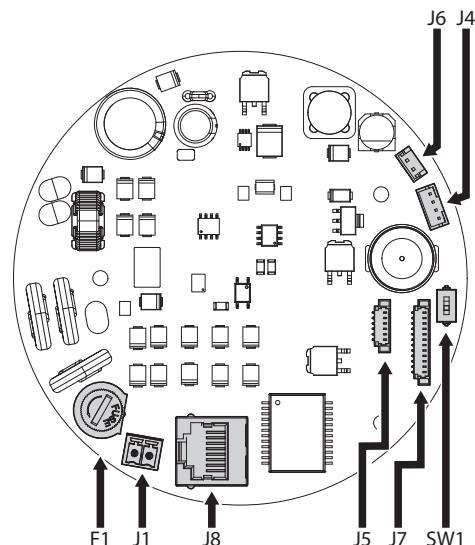


Fig. 20

6.6 Ligação da linha de alimentação

6.6.1 Ligação da linha de alimentação, 24Vac/24Vdc (versão do produto sem cabos)

⚠ Verificar que a fonte e o cabo de alimentação estejam dimensionados adequadamente.

i A polaridade da tensão, aplicada no borne de alimentação, é irrelevante.

LIGAÇÃO DA LINHA DE ALIMENTAÇÃO		
Alimentação 24Vac/24Vdc		
Cor	Braçadeiras	Seção cabos
Definido pelo instalador	~/+	de 0.14mm ² (28AWG) até 1.5mm ² (16AWG)
Definido pelo instalador	~/-	de 0.14mm ² (28AWG) até 1.5mm ² (16AWG)

Tab. 6

ESPECIFICAÇÕES DOS CABOS		
Seção do cabo	Fonte de alimentação	Comprimento máximo do cabo
1.5mm ² (16AWG)	24Vdc	20m
	24Vac	40m

Tab. 7

⚠ O cabo de alimentação deve ser coberto com a bainha de silicone (01) presente no equipamento. A bainha de silicone deve ser fixada com a respectiva faixa (02).

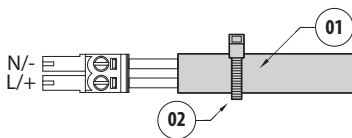


Fig. 21

Os cabos de alimentação são conectados ao borne de alimentação da placa da caixa (J1, 6.5 Descrição da placa da caixa, página 18).

6.6.2 Ligação da linha de alimentação, PoE+ (versão do produto sem cabos)

O produto pode ser alimentado por aparelhos PoE+ (Power over Ethernet), segundo a norma internacional de tecnologia da informação IEEE 802.3at, usando um cabo de dados Ethernet de categoria 5E.

i Comprimento máximo do cabo Ethernet (categoria 5E): 100m.

Os aparelhos PSE (Power Sourcing Equipment) adequados para a alimentação do produto devem seguir a norma IEEE 802.3at (PoE+).

O cabo Ethernet é ligado ao conector RJ45 da placa da caixa (J8, 6.5 Descrição da placa da caixa, página 18).

⚠ O blindagem do cabo Ethernet deve sempre ser aterrado mediante o conector. Utilizar sempre um conector RJ45 do tipo blindado.

Efetuar as ligações segundo quanto descrito na tabela (de acordo com o padrão: TIA/EIA-568-B).

CONEXÃO DO CABO ETHERNET	
Número do pin	Cor da alma
1	Laranja-Branco
2	Laranja
3	Verde-Branco
4	Azul
5	Azul-Branco
6	Verde
7	Marrom-Branco
8	Marrom

Tab. 8

6.6.3 Ligação da linha de alimentação, 24Vac/24Vdc (versão do produto com cabos)

Efetuar as ligações segundo quanto descrito na tabela.

LIGAÇÃO DA LINHA DE ALIMENTAÇÃO (24VAC/24VDC)		
Cor	Função	Seção cabos
Preto 1	~/+	1.5mm ² (16AWG)
Preto 2	~/-	1.5mm ² (16AWG)

Tab. 9

6.6.4 Ligação da linha de alimentação, PoE+ (versão do produto com cabos)

O produto pode ser conectado diretamente a um switch Ethernet dotado de porta PoE+ (configuração End-Span) ou a um switch Ethernet clássico, por meio de um PoE Injector (configuração Mid-Span).

6.7 Conexão do cabo Ethernet



O blindagem do cabo Ethernet deve sempre ser aterrado mediante o conector. Utilizar sempre um conector RJ45 do tipo blindado.

Utilize cabos Ethernet com as características a seguir:

- STP (blindado)
- Categoria 5E
- Seção mínima do cabo: 0.22mm² (24AWG).

Para outras informações consultar o capítulo relativo (6.6.2 Ligação da linha de alimentação, PoE+ (versão do produto sem cabos), página 19).

6.7.1 Ligação do cabo da rede Ethernet (versão do produto com cabos)

O produto pode ser conectado diretamente a um switch Ethernet.

Uma instalação típica é mostrada no exemplo a seguir.

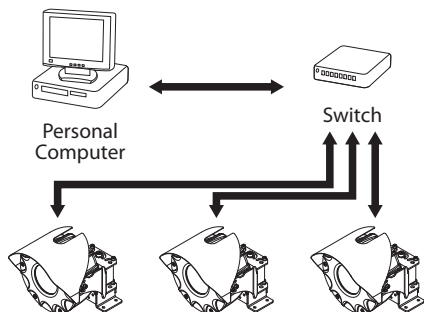


Fig. 22

6.8 Ligação equipotencial de terra

A ligação equipotencial de terra deve ser efetuada mediante um cabo externo com uma seção mínima de 4mm² (11AWG).

Conectar o cabo para a ligação equipotencial de terra com o terminal tipo ilhós que acompanham o produto (apropriado para cabos com seção de 4mm² (11AWG) até 6mm² (9AWG)).

Fixe o ilhó usando o parafuso M5 e a arruela dentada que acompanham o produto.

Características do parafuso M5:

- Material: A4
- Cabeça do parafuso: ISO 4762
- Comprimento: 8mm
- Tensão de limite elástico (min): 450N/mm²



ATENÇÃO! As conexões equipotenciais externas devem ser realizadas utilizando o olhal presente na parte externa do produto. Não deve ser utilizado como borne de proteção.

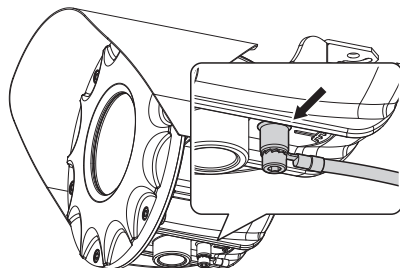


Fig. 23

6.9 Fechamento da caixa

⚠ Testar o funcionamento correto do sistema antes de fechar o produto e utilizá-lo em atmosfera explosiva.

⚠ Durante as operações de abertura e fechamento do produto prestar atenção para não estragar a junta à prova de chamas.

⚠ Antes de fechar a tampa frontal, verifique a integridade da guarnição O-ring. Se a guarnição estiver danificada, substituí-la com aquela fornecida com o aparelho.

Verificar se há sujeira ou detritos.

Organizar os cabos de modo que não interfiram no fechamento da tampa frontal. Para evitar danos aos cabos, há, sob o cursor, um furo para uma abraçadeira de fixação.

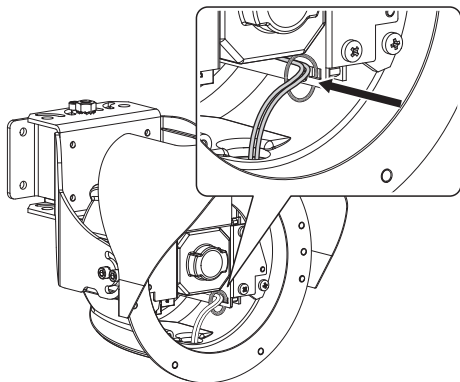


Fig. 24

Insira a tampa frontal na caixa do corpo, mantendo os furos de fechamento da tampa alinhados com os do corpo.

⚠ Prestar atenção para não danificar a guarnição O-ring.

Aparafuse os parafusos que foram retirados.

Características dos parafusos

- Diâmetro/Passo do parafuso: M5x0.8
- Material: A4
- Cabeça do parafuso: ISO 4762
- Comprimento: 8mm
- Tensão de limite elástico (min): 450N/mm²

⚠ Prestar atenção durante a fixação. Torque de aperto: 9Nm (± 0.5 Nm).

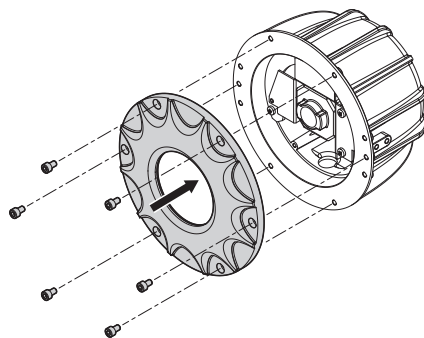


Fig. 25

7 Acendimento



Confirme que a unidade e os outros componentes do equipamento estejam fechados de modo a impedir o contato com partes sob tensão.



Verificar que todas as partes estejam fixadas de maneira sólida e confiável.



O procedimento de preaquecimento automático (De-Ice) pode ser ativado sempre que o dispositivo estiver ligado em temperatura ambiente inferior a -10°C. O processo serve para garantir a funcionalidade correta do dispositivo também a baixas temperaturas. Duração do procedimento de preaquecimento: 60 minutos.

Conectar a alimentação elétrica para ligar a unidade.

Depois da ativação, a unidade precisa de alguns minutos para estar completamente operacional.

Desligar a alimentação elétrica para desligar a unidade.

8 Configuração

8.1 Endereço IP padrão



A unidade é configurada para obter o endereço IP de um servidor DHCP.

O endereço IP adquirido via DHCP pode ser visto no arquivo log do servidor DHCP.

Se o servidor DHCP não estiver disponível, a unidade é configurada automaticamente com um endereço IP autogerado na sub-rede 169.254.x.x/16. Configure o endereço IP do PC conforme o pertinente à sub-rede (exemplo: endereço IP: 169.254.1.1, subnet mask: 255.255.0.0).

Para pesquisar o endereço IP do dispositivo, use um ONVIF compatível com VMS ou farejador de rede (IP scan utility).

8.2 Interface web

8.2.1 Primeiro acesso às páginas da Web

O primeiro passo para configurar o dispositivo é ligá-lo à sua interface web.

Para acessar a interface web do produto bastará usar um navegador para ir ao endereço: <http://endereço IP>.

No primeiro acesso será visualizada a Página Inicial.

Para a configuração da interface web, consulte o manual referente à versão do firmware instalada, disponível na página web do produto no site www.videotec.com.

9 Manutenção

⚠ Antes de realizar qualquer tipo de intervenção leia com atenção o capítulo "Normas de segurança" do presente manual.

9.1 Manutenção ordinária

Quando for contactado o serviço técnico de VIDEOTEC é necessário fornecer o número de série juntamente com um código de identificação do aparelho.

9.1.1 Controle dos cabos

Os cabos não devem apresentar sinais de desgaste ou deterioração que possam criar situações de perigo. Neste caso, é preciso fazer a manutenção nos cabos.

9.2 Manutenção extraordinária

9.2.1 Substituição dos fusíveis

⚠ ATENÇÃO! Para garantir a proteção contra risco de incêndio, substitua o fusível por outro de mesmo tipo e valor. O fusível só deve ser substituído por profissionais qualificados.

i Para manter a certificação cULus Listed é necessário que o fusível seja UL Listed (OMEGA GT520225, BUSSMAN S510).

O fusível utilizado está descrito a seguir.

SUBSTITUIÇÃO DO FUSÍVEL	
Fonte de alimentação	Fusível (F1)
24Vac, 50/60Hz	T 2A H 250V 5x20
24Vdc	

Tab. 10

Como alternativa utilizar um fusível com características iguais.

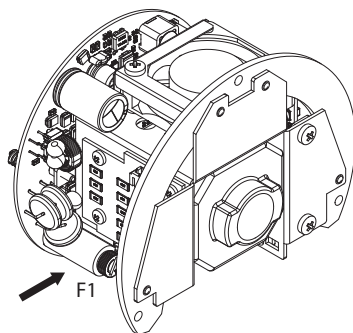


Fig. 26

9.2.2 Substituição da guarnição

Substitua a guarnição O-ring do produto por aquela que acompanha o equipamento.

Abra e feche a tampa como descrito nos capítulos anteriores.

Substitua a guarnição O-ring prestando atenção para posicioná-la corretamente.

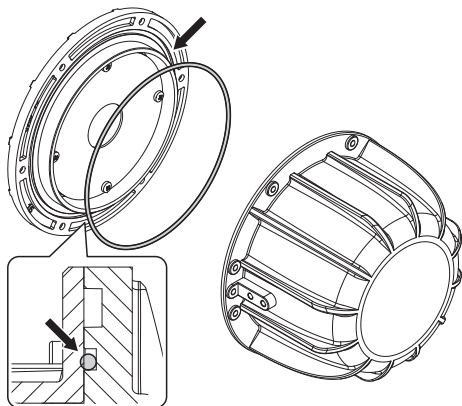


Fig. 27

9.2.3 Factory Default

É possível efetuar a restauração das configurações de fábrica.

O resultado do procedimento de Factory Default é igual ao obtido pela interface web (manual da interface web, Página Ferramentas (Tools), botão de Hard Reset).


Efetuar o seguinte procedimento:


- Cortar alimentação da unidade.
- Abrir a caixa e retirar o cursor.
- Configurar em ON o dip switch de reset (SW1, 6.5 Descrição da placa da caixa, página 18).
- Reinsérer o cursor e fechar a caixa.
- Ligue a unidade. Aguarde 2 minutos.
- Cortar alimentação da unidade.
- Abrir a caixa e retirar o cursor.
- Configurar em OFF o dip switch de reset (SW1, 6.5 Descrição da placa da caixa, página 18).
- Reinsérer o cursor e fechar a caixa.
- Ligue a unidade.



Depois de terminar o procedimento de restauração das configurações de fábrica (factory default), é necessário configurar a unidade como descrito no capítulo relevante (8.1 Endereço IP padrão, página 22).

10 Limpeza


 **Antes de realizar qualquer tipo de intervenção leia com atenção o capítulo "Normas de segurança" do presente manual.**


 **A frequência das intervenções depende do tipo do ambiente no qual é utilizado o produto.**

10.1 Limpeza da janela de vidro

A limpeza deve ser efetuada com sabão neutro diluído com água.

10.2 Limpeza do produto

 **Na superfície externa do produto nunca deve estar presente um acúmulo de poeira superior a 5mm.**

 **A limpeza do produto é realizada segundo das indicações mencionadas neste capítulo, a fim de impedir o acúmulo de carga eletrostática.**

A limpeza deve ser efetuada com um pano úmido e sem a utilização de ar comprimido.

11 Informações sobre descarte e reciclagem

A Diretiva Europeia 2012/19/UE sobre Resíduos de equipamentos elétricos e eletrônicos (REEE) prevê que esses equipamentos não sejam descartados no fluxo normal dos resíduos sólidos urbanos, mas coletados separadamente para otimizar o fluxo de recuperação e reciclagem dos materiais componentes e impedir possíveis danos para a saúde e para o meio ambiente em razão da presença de substâncias potencialmente perigosas.



O símbolo da lixeira cruzada está presente em todos os produtos para lembrar.

Os resíduos podem ser entregues aos centros de coleta apropriados ou, gratuitamente, ao distribuidor de que o equipamento foi comprado quando da aquisição de um equivalente novo, ou, sem obrigação, da aquisição de um novo equipamento com dimensões inferiores a 25cm.

Para mais informações sobre o descarte correto destes equipamentos, entre em contato com o serviço público responsável.

12 Solução de problemas



Antes de realizar qualquer tipo de intervenção leia com atenção o capítulo "Normas de segurança" do presente manual.



Para qualquer problemática não descrita ou se os problemas indicados porventura persistirem, entrar em contato com o centro de assistência autorizado.

PROBLEMA

O produto não se acende.

CAUSA

Cabeamento incorreto, rompimento do fusível.

SOLUÇÃO

Verificar a correta execução das conexões. Verifique o estado do fusível, se estiver rompido, substitua-o pelo modelo indicado.

PROBLEMA

O streaming video não é visível.

CAUSA

Configuração errada dos parâmetros IP.

SOLUÇÃO

Verificar o endereço IP do dispositivo e a configuração da placa de rede do computador.

CAUSA

Procedimento de preaquecimento automático (De-Ice) em andamento.

SOLUÇÃO

Aguardar o final do processo de pré aquecimento. Se a temperatura ambiente é muito baixa, a unidade fica bloqueada.

13 Dados técnicos

13.1 Mecânica

Fabricada em aço inox AISI 316L

Superfícies externas tratadas com jato-percussão e eletropolimento

Teto guarda-sol

Suportes para instalação na parede, teto ou parapeito

Peso da unidade:

- 6.5kg (somente caixa + suporte de apoio)
- 8.5kg (estojo com cabo multipolar armado de 4m)

13.2 Prensa cabos

Entrada dos cabos: 1 furo, 1/2" NPT

Prensa cabo Ex d 1/2"NPT (somente com cabo pré-instalado)

13.3 Janelas para caixa

Material: Vidro temperado

Diâmetro util: 73.5mm

13.4 Elétrico

Fonte de alimentação/Corrente absorvida

- 24Vac $\pm 10\%$, 1.32A, 50/60Hz
- 24Vdc $\pm 5\%$, 0.9A
- PoE+ (IEEE 802.3at)

Potência absorvida:

- 21W (24Vac, 1.32A, 50/60Hz)
- 20W (24Vdc, 0.9A)
- 21W (PoE+)

Cabo armado

- Diâmetro externo: 16.8mm ± 0.4 mm
- Diâmetro sob armação: 12.4mm ± 0.3 mm
- Cor: preto RAL 9005

Composição do cabo armado:

- 3x1.5mm² (15AWG)
- 4x2x0.22mm² (24AWG) (cat. 5E F/STP)

13.5 Rede

Conexão Ethernet: 100 Base-TX

Conector: RJ45

13.6 Câmaras

Day/Night Full HD 10x

Resolução: Full HD 1080p (1920x1080pixel)

Sistema de sinais: 1080p/60fps max

Sensor de imagem: 1/3" CMOS sensor

Pixel efetivos: 2.48Megapixel

Iluminação mínima, cor (ICR-OFF):

- 0.5lx IRE 50%
- 0.125lx IRE 50% (Slow Shutter)

Iluminação mínima, B/W (ICR-ON):

- 0.1lx IRE 50%
- 0.025lx IRE 50% (Slow Shutter)

Ótica:

- De f= 5.1mm (wide) até 51mm (telas)
- De F1.6 até F1.8

Zoom: 10x (320x, com zoom digital)

Campo visual horizontal: de 54° (wide) até 4.9° (telas)

Distância mínima do objeto: de 100mm (wide) até 1000mm (telas)

Velocidade do obturador: de 1/8s até 1/30000s, 14 passos

Balanceamento do branco: Auto, Internos, Externos, Manual

Wide Dynamic Range: On/Off, Nível de luminosidade

Controle da Exposição: Auto, Manual, Prioridade diafragma, Prioridade obturador, Brilho

S/N Ratio: 50dB

De-fog: Off, Auto, Manual

Maskin da zona de privacy: máximo 8 máscaras configuráveis

Compensação Backlight

Estabilização de imagem digital: On/Off

Day/Night Full HD 3x

Resolução: Full HD 1080p (1920x1080pixel)

Sistema de sinais: 1080p/30fps max

Sensor de imagem: 1/2" type Exmor™ CMOS sensor

Pixel efetivos: 2.17Megapixel

Iluminação mínima, cor (ICR-OFF):

- 0.15lx, (1/30s)
- 0.0375lx, (1/7.5s), (Slow Shutter)

Iluminação mínima, B/W (ICR-ON):

- 0.1lx, (1/30s)
- 0.002lx, (1/7.5s), (Slow Shutter)

Ótica:

- De f= 3.6mm (wide) até 10mm (telas)
- De F1.5 até F2.7

Zoom: 3x (96x com zoom digital)

Campo visual horizontal: De 88.4° (wide) até 40.7° (telas)

Distância mínima do objeto: 1000mm) (wide to tele)

Velocidade do obturador: De 1/8s até 1/30000s, 14 passos

Balanceamento do branco: Auto, Internos, Externos, Manual

Wide Dynamic Range: On/Off

Controle da Exposição: Auto, Manual, Prioridade obturador, Prioridade diafragma, Brilho

S/N Ratio: 50dB

De-fog: On/Off, Auto, Manual

Maskin da zona de privacy: máximo 8 máscaras configuráveis

Compensação Backlight

Estabilização de imagem digital: On/Off

13.7 Ambiente

Instalação para ambientes internos e externos

Temperatura de certificação: de -40°C até +65°C (T6/T85°C) ou +70°C (T5/T100°C)

Temperatura de operação:

- Funcionamento contínuo: de -40°C até +65°C
- Teste de temperatura conforme NEMA-TS 2-2003 (R2008) par. 2.1.5.1, perfil de teste fig. 2-1 (de -34 °C a +74 °C) (somente versão com câmara de vídeo dia/noite, zoom 10x, Full HD)
- Intervenção da função descongelamento (inicialização a frio): de -40°C até -10°C

Umidade relativa: de 5% até 95%

13.8 Certificações

Segurança elétrica (CE): EN60950-1, IEC60950-1, EN62368-1, IEC62368-1

Compatibilidade eletromagnética (CE): EN61000-6-4, EN61000-3-2, EN61000-3-3, EN50130-4, EN55032 (Classe A)

RoHS (CE): EN IEC 63000

Instalação no lado externo (CE): EN60950-22, IEC60950-22

Grau de proteção IP (EN/IEC60529): IP66, IP67, IP68 (2 horas, 5m), IP69

Teste de vibração: EN50130-5, EN60068-2-6

Certificação UL (UL60950-1, CAN/CSA C22.2 No. 60950-1-07, UL62368-1 CAN/CSA C22.2 No. 62368-1-14): cULus Listed

Compatibilidade eletromagnética (América do Norte): FCC part 15 (Classe A), ICES-003 (Classe A)

Grau de proteção Tipo (UL50E): 4X, 6P

Certificado BIS: IS 13252 (PART 1)/IEC60950-1 (certificação válida apenas para o código: MMX2D0ZA)

Certificado KC (certificação válida apenas para o código: MMX2C0ZJ)

RCM (Australian and New Zealand Regulatory Compliance Mark)

Conforme NDAА

13.9 Certificações - Aplicações à prova de explosões

ATEX (EN IEC 60079-0, EN 60079-1, EN 60079-31)

IECEX (IEC 60079-0, IEC 60079-1, IEC 60079-31)

EAC EX (TR CU 012/2011)

INMETRO (ABNT NBR IEC 60079-0, ABNT NBR IEC 60079-1, ABNT NBR IEC 60079-31)

KCs (Employment and labor department 2021-22)

UL listed for USA (UL 60079-0, UL 60079-1, UL 60079-31)

UL listed for Canada (CAN/CSA-C22.2 NO. 60079-0, CAN/CSA-C22.2 NO. 60079-1, CAN/CSA-C22.2 NO. 60079-31)

UK Ex (EN IEC 60079-0, EN 60079-1, EN 60079-31)

13.10 Certificações - Aplicações marinhas

Certificação do Lloyd's Register Marine Type Approval (somente versão com câmara de vídeo dia/noite, zoom 10x, Full HD):

- Test Specification Number 1 (ENV1, ENV2, ENV3, ENV5)

Compatibilidade eletromagnética: EN60945

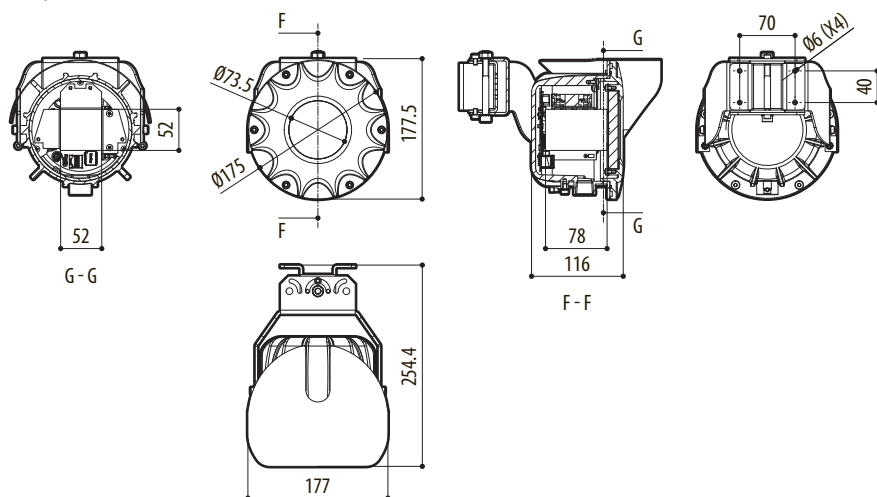
Resistente a névoa salina: EN60068-2-52

O produto foi aprovado no teste a 70°C por 16 horas de acordo com EN60068-2-2

14 Desenhos técnicos

i As medidas indicadas estão expressas em milímetros.

FIXAÇÃO NA PAREDE



FIXAÇÃO AO PARAPEITO OU AO TETO

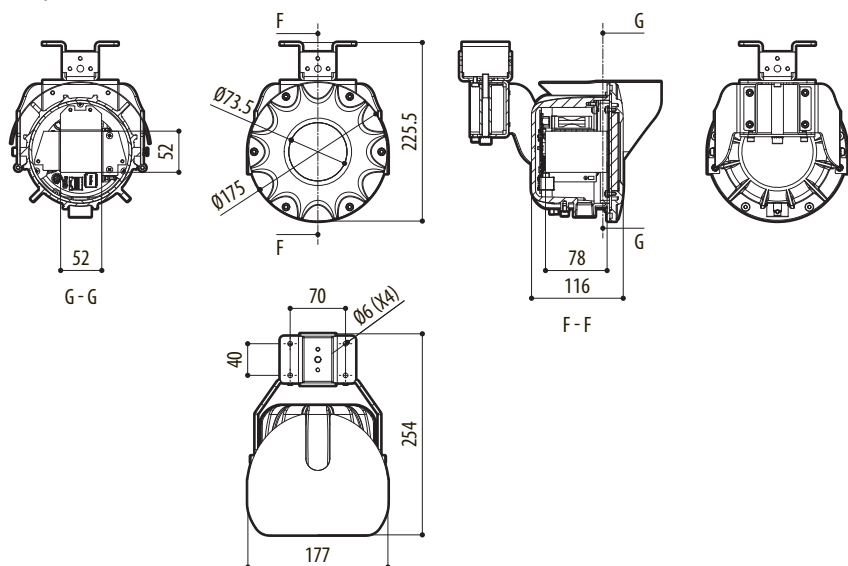


Fig. 28 MAXIMUS MMX.



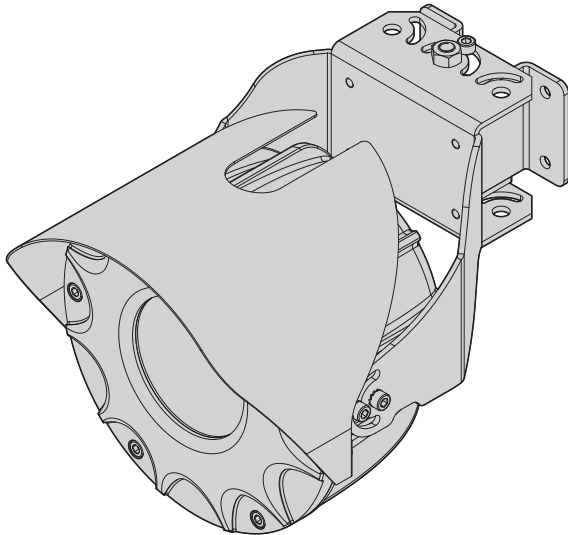
Headquarters Italy VIDEOTEC s.r.l.
Via Friuli, 6 - I-36015 Schio (VI) - Italy
Tel. +39 0445 697411 - Fax +39 0445 697414
Email: info@videotec.com
www.videotec.com

MNVCMMX_2223_PT



MAXIMUS MMX

콤팩트 디자인의 방폭형 FULL HD 카메라




1 설명서에 있는 정보들	5
1.1 인쇄합의	5
2 저작권 및 상표에 대한 정보들 주의사항	5
3 안전규칙	5
4 설명과 제품의 명시	8
4.1 제품 개요	8
4.2 사용 범위	9
4.3 특정 사용 조건	9
4.4 가스 그룹, 먼지 그룹 및 온도	9
4.5 케이블 인입구	9
4.6 제품 표시 라벨	10
4.7 UL/CSA 표준 참조 전용	11
중요 안전 지침	11
표시 라벨	11
연결	12
규정 참조	12
4.8 모델 식별 코드	13
5 사전에 대한 제품 준비	14
5.1 포장 풀기	14
5.2 내용물	14
5.3 포장 재료의 안전한 폐기	14
6 설치	14
6.1 설치 옵션	15
6.1.1 난간 또는 천장 장착 고정	16
6.1.2 벽 장착	17
6.2 선실드 장착	17
6.3 하우징 열기	18
6.4 슬라이드 제거	18
6.5 하우징 보드 설명	18
6.6 전원공급 라인 연결	19
6.6.1 전원공급 라인 연결, 24Vac/24Vdc (케이블이 연결되지 않은 제품 버전)	19
6.6.2 전원공급 라인 연결, PoE+ (케이블이 연결되지 않은 제품 버전)	19
6.6.3 전원공급 라인 연결, 24Vac/24Vdc (케이블이 연결된 제품 버전)	19
6.6.4 전원공급 라인 연결, PoE+ (케이블이 연결된 제품 버전)	19
6.7 Ethernet 케이블 연결	20
6.7.1 이더넷 네트워크 케이블 연결 (제품 케이블 버전)	20
6.8 접지 등전위 접속	20
6.9 하우징 닫기	21
7 커짐	22
8 형성	22
8.1 기본 IP 주소	22


8.2	인터페이스 웹.....	22
8.2.1	웹 페이지에 처음 액세스하기	22
9	유지보수.....	23
9.1	정기 유지관리.....	23
9.1.1	케이블 검사하기.....	23
9.2	각별한 유지관리가.....	23
9.2.1	퓨즈의 교체.....	23
9.2.2	개스킷 교체.....	24
9.2.3	Factory Default	24
10	청소.....	25
10.1	유리창 청소	25
10.2	제품 청소	25
11	폐기 및 재활용 정보	25
12	Troubleshooting.....	26
13	기술 데이터	26
13.1	기계	26
13.2	케이블 글랜드	26
13.3	하우징 창	26
13.4	전기	26
13.5	네트워크	26
13.6	카메라.....	27
13.7	환경	28
13.8	인증서.....	28
13.9	인증서 - 방폭 기기	28
13.10	인증서 - 해양 기기	28
14	기술 도면.....	29


1 설명서에 있는 정보들


이 제품을 설치 및 사용하기 전에 제공된 모든 문서를 주의 깊게 읽어 보십시오. 나중에 참조할 수 있도록 편리한 장소에 설명서를 보관하십시오.

1.1 인쇄합의

 **위험!**
폭발 위험.
 폭발의 위험을 피하려면 주의깊게 읽어 주십시오.

 **위험!**
높은 위험
전기 감전의 위험 모든 작업을 실행하기 전에 다른 지시를 제외하고 제품에 전압 분리를 확인합니다.

 **주의!**
중간 위험
작업은 시스템의 올바른 기능때문에 매우 중요합니다. 지시된 절차를 주의해서 읽고 예정된 방법에 따라서 절차를 실행하길 바랍니다.

 **INFO**
시스템의 특징들 설명
다음 단계들을 이해하기 위해서 주의하여 읽기를 권고합니다.


밀출 표시 제목
정보는 인증 대상입니다.

2 저작권 및 상표에 대한 정보들 주의사항

언급한 제품과 회사의 이름들은 상표이거나 관련된 회사에 속한 등록된 상표입니다.

ONVIF®는 Onvif, Inc.의 상표입니다.

3 안전규칙

 **위험!**
폭발 위험.
폭발의 위험을 피하려면 주의깊게 읽어 주십시오.

- 기기는 해당 규격 표준 EN/IEC 60079-14, EN/IEC 60079-17, 국가 표준에 따라 전문 기술 직원이 설치 및 유지관리해야 합니다.
- 전원이 공급되고 폭발성 대기에 있을 때 장치를 열지 마십시오.
- 설치용으로 알맞은 도구를 사용하십시오. 장치 설치 현장의 특성에 따라 특정 도구가 설치를 위해 사용될 필요가 있습니다.
- 비폭발성 환경에서 연결, 설치 및 유지보수 작업을 수행하십시오.
- 폭발 위험성이 있는 환경에 설치된 제품의 발화 위험성을 줄이려면 등전위 접속은 필수 사항입니다.
- 폭발 가능성이 있는 대기에서는 제품의 전원을 켜기 전에 올바르게 폐쇄되었는지 확인하십시오.
- 장치의 표면 온도가 직접적인 햇빛 노출에 의해 증가되었습니다. 장치의 표면 온도 등급은 직사광선에 대한 고려 없이 주면 대기 온도만으로 판단됩니다.
- 모든 장치들이 해당 응용 프로그램과 설치되는 환경에 대해 인증되어 있는지 확인합니다.
- 제조업자에 의해서 승인되지 않은 모든 변경은 보증을 무효화합니다.



위험!
높은 위험
전기 감전의 위험 모든 작업을 실행하기 전에 다른 지시를 제외하고 제품에 전압 분리를 확인합니다.

- 회로 차단기가 열린 상태에서 설치하거나 유지관리를 수행할 때 전원이 꺼져 있는지 확인하십시오.
- 전원 차단 장치는 전기 설비에 포함되어야 하며, 매우 신속하게 인식가능하고 필요한 경우 동작해야 합니다.
- 장치가 연결될 전기 시스템에는 최고 10A의 자동 양극 회로 차단기가 설치되어 있어야 합니다. 회로 차단기 접점 간의 최소 간격은 3mm(0.1인치)여야 합니다. 스위치에는 전원 서지(회로 차단기)에 대한 보호기가 장착되어 있어야 합니다.
- 전원 공급장치가 분리되고 다른 장치에 대한 연결 케이블이 제거된 경우에만 장치의 스위치를 끄는 것을 고려할 수 있습니다.
- 마모나 오래된 징후를 가진 케이블을 사용하지 마십시오.
- 모든 케이블은 IEC60332-1-2, IEC 60332-1-3 및 IEC/EN60079-14을 준수해야 합니다.
- 설치 작동 때 설비에서 제공되는 전원공급의 특성들과 장치에서 요구하는 전원공급의 특성이 일치하는지를 점검합니다.
- 화재의 위험에 대해 보호를 보장하기 위해서는 같은 유형과 가치를 가진 퓨즈로 교체합니다. 퓨즈들은 오직 자격을 갖춘 기술자들에 의해서만 교체되어야 합니다.
- 이 장비는 어린이가 있을 수 있는 위치에 사용하지 적합하지 않습니다.



주의!
중간 위험
작업은 시스템의 올바른 기능때문에 매우 중요합니다. 지시된 절차를 주의해서 읽고 예정된 방법에 따라서 절차를 실행하길 바랍니다.

- 설치가 현지 규정과 사양에 부합하는지 확인합니다.
- 연결 후 현장에서 설치하기 전에 실험실에서 시험하십시오.
- 전원 공급 장치 소켓과 케이블이 적절한 치수인지 점검합니다.
- 작동 온도를 견딜 수 있는 적절한 케이블을 사용하십시오.
- 분리된 모든 케이블은 전기적으로 절연 상태여야 합니다.
- 제품은 어느 위치에든 설치할 수 있습니다.
- 전원공급을 공급하기 전에 장치가 안전하게 고정되었는지 확인합니다.
- 제조사는 무단 개조, 비순정 예비 부품 사용, 비공인, 비숙련 인력의 설치, 유지관리 및 수리로 발생한 이 핸드북에 언급된 기구의 손상에 대해 어떠한 책임도 지지 않습니다.
- 순정 VIDEOTEC 예비 부품만 사용하십시오. 각 교체 키트에 첨부된 유지관리 지침을 엄격히 준수하십시오.
- 기술 서비스에 대해서는, 공인 기술자에게만 의뢰하십시오.
- 본 제품은 예상되는 약관에 따라 적절한 훈련을 받은 사람 또는 VIDEOTEC 직원의 감독 하에서만 수리해야 합니다: IEC/EN60079-19.
- 설치 TNV-1 유형입니다. SELV. 회로를 연결하지 마십시오.
- 날카로운 부분이나 모서리에 우발적으로 접촉할 위험성을 줄이기 위해 제품을 주의해서 다루십시오.



INFO

시스템의 특징들 설명

다음 단계들을 이해하기 위해서 주의하여 읽기를 권고합니다.

- 설치를 진행하기 전에 검인의 라벨을 검사하면서 제공된 재료들이 명시된 요구들과 일치하는지 확인합니다..
- 이 장비는 전문 기술 직원이 출입 제한 구역에 설치할 수 있도록 제작되었습니다.
- 제조업체는 이 설명서에서 언급된 기기의 부적절한 사용으로 인해 발생하는 손상에 대한 모든 책임을 지지 않습니다. 언급이 없이 내용물을 변경에 대한 권리를 또한 보유하고 있습니다. 제조업자는 기기의 사용으로 인해 발생하는 어떤 책임을 지지 않을 수 있음에도 불구하고 각 관리는 이 설명서에서 포함된 서류의 수집과 평가에 배치되어 있습니다. 제조업자는 기기의 사용으로 인해 발생하는 어떤 책임을 지지 않을 수 있음에도 불구하고 각 관리는 이 설명서에서 포함된 서류의 수집과 평가에 배치되어 있습니다. 이 설명서의 생성과 생산에 관련된 모든 사람이나 회사의 경우에도 같습니다.
- 장치가 고정될 표면을 선택하는 것은 사용자의 책임이기 때문에, 해당 장치를 특정 표면에 부착하기 위한 고정 장치는 제공되지 않습니다. 설치자가 해당 특정 용도에 적합한 고정 장치를 선택할 책임이 있습니다. 적어도 장치의 무게보다 4배를 지탱할 수 있는 방법과 자재를 사용하십시오.
- 모든 유지관리 중재의 경우 실현실로 제품을 돌려보내 필요한 모든 작업을 수행할 것을 권장합니다.
- 이것은 클래스 A 제품입니다. 주거환경에서 이 제품은 전파장애를 일으킬 수 있습니다. 이 경우, 적합한 방법을 가져오라고 사용자에게 요구되어질 수 있습니다.

- 낮추고 짧은 파워 브레이크 회로에 관한 시행되고 있는 법에 일치하려면 장치를 공급하기 위해 적절한 지속성 그룹 (UPS)를 사용합니다.
- 장치는 PS2 에너지원에서 공급받아야 합니다
- 제품 사용 시 안전 변압기 및/또는 전압 절연 전원 공급장치에 적합한 특성 공급. 출력의 특성은 다음 값을 초과해서는 안 됩니다. 전원공급의 전압: 24Vac (±10%) 혹은 24Vdc (±5%).
- 24Vac 전원 공급 장치의 경우 주전원 공급선과 보조 회로 간의 이중 또는 강화 절연을 사용하여 AC 전원 공급선을 적절하게 분리해야 합니다.

4 설명과 제품의 명시

MMX 방폭 하우징은 폭발 가능성이 있는 환경에 설치하도록 설계되었으며, AISI 316L 쇼트 피닝 및 전기연마 스테인리스강으로 제조되었습니다. 24Vac, 24Vdc 또는 이더넷(PoE+) 케이블을 사용해 하우징에 전원을 공급할 수 있습니다. 하우징에는 1/2" NPT 입력이 장착되어 있습니다. MMX 하우징은 IP66/IP68/IP69 등급의 보호 기능이 있으며 등급에 따라 온도가 -40°C에서 최대 +70°C까지 변하는 환경에 설치할 수 있습니다.

4.1 제품 개요

제품의 주요 부품은 아래에 나와 있습니다.

01. 고정 지지대.
02. 보강 지지대.
03. 하우징 지지대.
04. 스페이서.
05. M8x80 나사.
06. 선 실드.
07. 하우징.

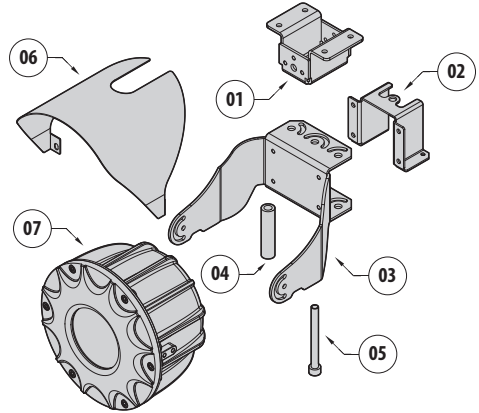


그림. 1

4.2 사용 범위

장치의 사용은 잠재적으로 폭발성 대기를 가진 1-21 구역이나 1-22구역으로 등급된 구역을 감독하기 위해서 고정 위치에서 사용에 대해 정의되어졌습니다.

본 장치는 응용 범위와 최소 안전 요건을 규정하는 지령 2014/34/UE 및 국제 표준 IECEx에 부합하여 제작되고 인증되었습니다.

4.3 특정 사용 조건

제품의 외부 표면에 먼지가 5mm 이상 덮이지 않아야 합니다.

청소 중 정전기 부하가 누적되는 것을 방지하려면, 젖은 천으로 장치를 청소해야 합니다.

설치될 카메라는 전자가 되어서는 안되고 레이저, 계속적인 웨이브의 원천이나 초음파 에너지 방사 장비를 포함해서는 안 됩니다.

설치할 수 있는 카메라는 전지나 배터리를 포함하지 않습니다.

카메라는 기본적인 기하학적 형태를 가져야 합니다.

주변 온도 및 표면 온도는 지침을 참조하십시오.

내화성 조인트 치수 정보는 제조사에 문의하십시오.

4.4 가스 그룹, 먼지 그룹 및 온도

이 장치는 그룹 IIB(가스) 및 그룹 III C(먼지) 인증을 받았습니다.

환경 온도: $-40^{\circ}\text{C}/+65^{\circ}\text{C}$ 혹은 $+70^{\circ}\text{C}$.

온도 등급	최대 주변 온도
T6/ T85°C	+65°C
T5/ T100°C	+70°C

표 1

4.5 케이블 인입구

모든 케이블 그랜드는 해당되는 경우 사용 조건에 적합한 보호 형식 "db" 및 "tb" Ex 인증을 받아야 하며 올바르게 설치해야 합니다.

도관 사용 시에는 해당되는 경우 사용 조건에 적합한 보호 형식 "db" 및 "tb" Ex 인증 스톱핑 박스를 사용하고 올바르게 설치해야 합니다.

차단의 연결장치는 디바이스로부터 50mm (1.97in) 안으로 위치해 있어야 합니다.

케이블 입력부 온도는 표시판에 명시되어 있습니다.

제품의 IP 등급을 유지하려면 적합한 IP 등급의 케이블 그랜드를 사용하고 표준 IEC/EN60079-14를 준수하는 나사 밀봉제를 적용합니다.

4.6 제품 표시 라벨

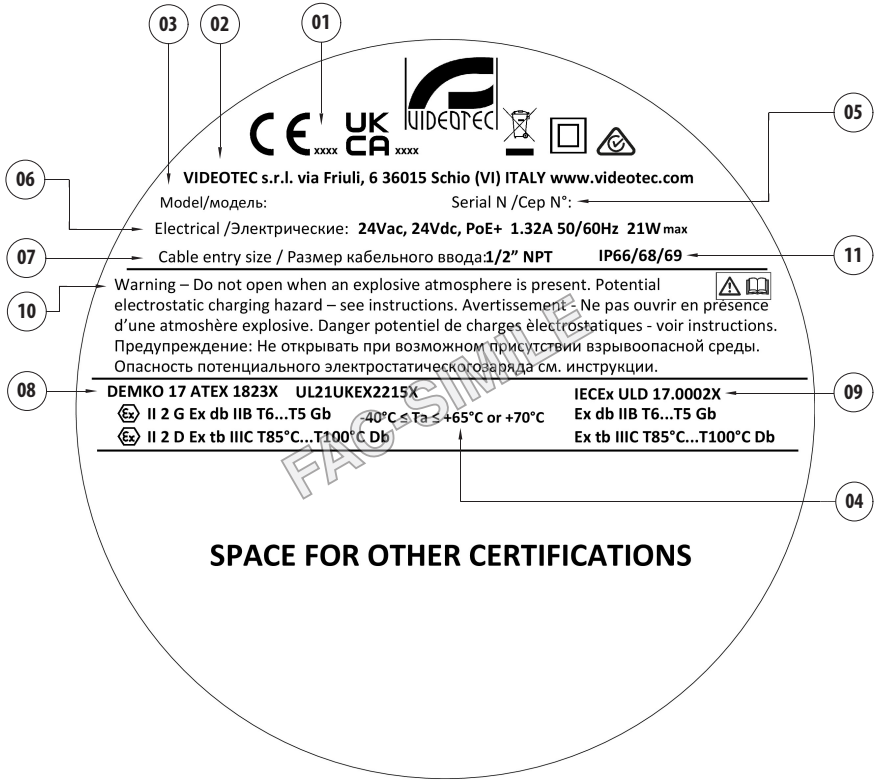


그림. 2

1. 품질 평가를 제공하는 인증 기관 수.
2. 제조업체의 이름 및 주소.
3. 모델.
4. 사용 시 주변 온도.
5. 일련번호는 12자리 숫자로 구성되며, 두 번째와 세 번째 숫자가 제조 연도의 마지막 두 개 숫자입니다.
6. 전기적 특성(전압 V, 주파수 Hz, 전류 A, 전력 W).
7. 케이블 엔트리 유형, 크기, 숫자
8. ATEX 표시판. 등급 온도는 내부에 설치된 전자 장치 및 주변 온도에 따라 다릅니다.
9. IECEx 표시판. 등급 온도는 내부에 설치된 전자 장치 및 주변 온도에 따라 다릅니다.
10. 경고.
11. IP 보호 등급.

4.7 UL/CSA 표준 참조 전용.



내화성 조인트는 수리할 수 없습니다.



미국에서는 미국 전기 규정(NEC), 캐나다에서는 캐나다 전기 규정(CEC)이 위험한 산업 구역에서 사용되는 전기 장비에 적용됩니다. 이러한 규정에는 모든 영역의 전기 시설에 대한 설치 규정이 포함되어 있으며, 적절한 장비의 구성 및 설치를 위한 사양과 함께 다른 기관의 여러 추가 표준을 참조합니다.

중요 안전 지침

WARNING: A SEAL SHALL BE INSTALLED WITHIN 50 mm OF THE ENCLOSURE.

AVERTISSEMENT: UN SCHEMEMENT DOIT ÊTRE INSTALLÉ À MOINS DE 50 mm DU BOÎTIER.

WARNING: "CABLE ENTRY AND BRANCHING POINT IS 83.2°C AT +65°C AMBIENT AND 88.2°C AT +70°C AMBIENT. USE SUITABLE CABLE AND CABLE GLANDS"

AVERTISSEMENT: LA TEMPÉRATURE DE L' ENTRÉE DE CÂBLE ET DU POINT DE BRANCHEMENT EST DE 83.2°C JUSQU'À + 65°C AMBIANT ET DE 88.2°C JUSQU'À + 70°C AMBIANT. UTILISEZ LE CÂBLE ET LES PRESSE-ÉTOUPES APPROPRIÉS.

WARNING: DO NOT OPEN WHEN EXPLOSIVE ATMOSPHERE IS PRESENT.

AVERTISSEMENT - NE PAS OUVRIR EN PRÉSENCE D' UNE ATMOSPHÈRE EXPLOSIVE

WARNING: POTENTIAL ELECTROSTATIC CHARGING HAZARD – SEE INSTRUCTIONS.

AVERTISSEMENT - DANGER POTENTIEL DE CHARGES ÉLECTROSTATIQUES - VOIR INSTRUCTIONS

표시 라벨



그림. 3

NEMA 유형: TYPE 4X, TYPE 6P



연결부 선택 시 현지 시행 중인 법률을 준수해야 합니다.

KO-한국어 - 지침 설명서

케이블 글랜드: 다음 AEx d IIC 보호 등급인 UL2225 및 제품 표시판에 따라 다음 Ex d IIC 보호 등급인 C22.2를 준수하는 케이블 글랜드를 선택하십시오.

도관: 도관 사용 시 제품 입력부 50mm 안에 밀봉 장치를 설치해야 합니다.

규정 참조

UL 60950-1, 2nd Edition, 2019-05-09 (Information Technology Equipment - Safety - Part 1: General Requirements)

CAN/CSA C22.2 No. 60950-1-07, 2nd Edition, 2014-10 (Information Technology Equipment - Safety - Part 1: General Requirements)

UL 62368-1, 2nd Ed, 2014-12-01 (Audio/video, information and communication technology equipment Part 1: Safety requirements)

CAN/CSA C22.2 No. 62368-1-14, 2nd Ed, Issued: 2014-12-01 (Audio/video, information and communication technology equipment Part 1: Safety requirements)

UL 60079-0, 7th Edition, Explosive atmospheres - Part 0: Equipment - General requirements

UL 60079-1, 7th Edition, Explosive Atmospheres - Part 1: Equipment Protection by Flameproof Enclosures “d”

UL 60079-31, 2nd Edition, Explosive Atmospheres - Part 31: Equipment Dust Ignition Protection by Enclosure “t”

CSA C22.2 No. 60079-0:19, Explosive atmospheres - Part 0: Equipment - General requirements

CSA C22.2 No. 60079-1:16, Explosive Atmospheres - Part 1: Equipment Protection by Flameproof Enclosures “d”

CSA C22.2 No. 60079-31:15, Explosive Atmospheres - Part 31: Equipment Dust Ignition Protection by Enclosure “t”

4.8 모델 식별 코드

MAXIMUS MMX - 구성 옵션					
	전압	텔레카메라	연결	비디오 출력	ONVIF 프로파일
MMX	2 24Vdc/ 24Vac, PoE+	4 주야간 카메라 3X 줌, FullHD	0 케이블 미포함, 케이블 그랜드 미포함	Z IP	A ONVIF, 프로파일 Q, 프로 파일 S 및 프로파일 T 준수
		D 주야간 카메라 10X 줌, FullHD	A 케이블 그랜드 Ex d 1/2" NPT 및 4m(13ft) 외장 케이블		J ONVIF, 프로파일 S 및 프 로파일 T 준수
			B 케이블 그랜드 Ex d 1/2" NPT 및 10m(32.8ft) 외장 케 이블		

표 2

MAXIMUS MMX - 인증 및 표시 (케이블 포함)			
인증	마킹	환경 온도	케이블 입력부 온도
ATEX	Ⓜ II 2 G Ex db IIB T6...T5 Gb Ⓜ II 2 D Ex tb IIIC T85°C...T100°C Db	-40°C ≤ Ta ≤ +65°C or +70°C	+83.2°C 사용 Ta ≤ +65°C +88.2°C 사용 Ta ≤ +70°C
IECEX	Ex db IIB T6...T5 Gb Ex tb IIIC T85°C...T100°C Db		
EAC Ex	1Ex db IIB T6...T5 Gb X Ex tb IIIC T85°C...T100°C Db X		
INMETRO	Ex db IIB T6...T5 Gb Ex tb IIIC T85°C...T100°C Db		
UK Ex	Ⓜ II 2 G Ex db IIB T6...T5 Gb Ⓜ II 2 D Ex tb IIIC T85°C...T100°C Db		

표 3

MAXIMUS MMX - 인증 및 표시 (케이블 제외)			
인증	마킹	환경 온도	케이블 입력부 온도
ATEX	Ⓜ II 2 G Ex db IIB T6...T5 Gb Ⓜ II 2 D Ex tb IIIC T85°C...T100°C Db	-40°C ≤ Ta ≤ +65°C or +70°C	+83.2°C 사용 Ta ≤ +65°C +88.2°C 사용 Ta ≤ +70°C
IECEX	Ex db IIB T6...T5 Gb Ex tb IIIC T85°C...T100°C Db		
EAC Ex	1Ex db IIB T6...T5 Gb X Ex tb IIIC T85°C...T100°C Db X		
KCs	Ex db IIB T6...T5 Gb Ex tb IIIC T85°C...T100°C Db		
INMETRO	Ex db IIB T6...T5 Gb Ex tb IIIC T85°C...T100°C Db		
Hazardous Location America	Class I, Zone 1, AEx db IIB T6...T5 Gb Zone 21, AEx tb IIIC T85°C...T100°C Db Class I, Div 2 Group C, D T6...T5 Class II, Div 2, Group F and G T6...T5		
Hazardous Location Canada	Ex db IIB T6...T5 Gb X Ex tb IIIC T85°C...T100°C Db X Class I, Div 2 Group C, D T6...T5 Class II, Div 2, Group F and G T6...T5		
UK Ex	Ⓜ II 2 G Ex db IIB T6...T5 Gb Ⓜ II 2 D Ex tb IIIC T85°C...T100°C Db		

표 4

5 사전에 대한 제품 준비



모든 유형의 조정을 수행하기 전에 이 설명서의 "안전규칙" 장을 읽어보십시오.

5.1 포장 풀기

제품을 납품할 때 포장이 완전하고 떨어지거나 찢어지지 않았는지 확인합니다.

포장에 손상의 흔적이 있는 경우 바로 제조업자에게 연락합니다.

고장난 제품의 반환의 경우에는 운송을 위해서 오리지널 포장을 사용하기를 권고합니다.

수리하기 위해 제품을 보내야 할 경우에 포장을 보관해야 합니다.

5.2 내용물

아래 목록 재료의 표와 내용물이 일치하는지 점검합니다:

- Flameproof 하우징
- O링 교체 부품 키트
- 브래킷 키트
- 사용자 설명서

5.3 포장 재료의 안전한 폐기

포장의 재료들은 재활용 재료에 의해서 온전히 만들어졌습니다. 분리수거의 방법이나 사용 국가의 현 규범에 따라서 폐기처분하는 기술 설치자의 관리입니다.

6 설치



모든 유형의 조정을 수행하기 전에 이 설명서의 "안전규칙" 장을 읽어보십시오.

설치 중에는 승인된 브래킷과 액세서리들만 사용할 것을 권장합니다.

6.1 설치 옵션

! M8 축은 항상 수직이 되어야 합니다.

제공된 브라킷을 사용하여 아래 그림에 표시된 위치에 제품을 설치할 수 있습니다.

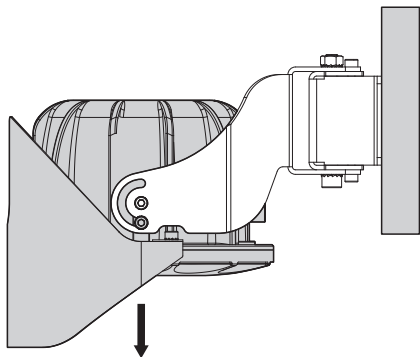


그림. 4 벽 설치의 예, 수직회전, -90° .

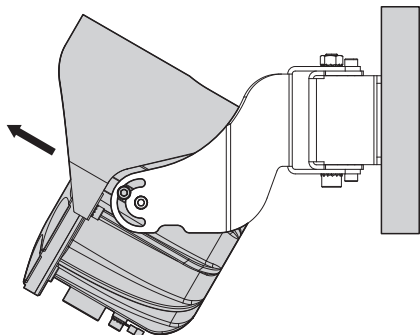


그림. 5 벽 설치의 예, 수직회전, $+30^{\circ}$.

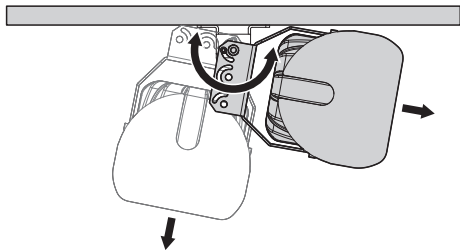


그림. 6 벽 설치의 예, 수평회전, ~로부터 26° 까지 80° .

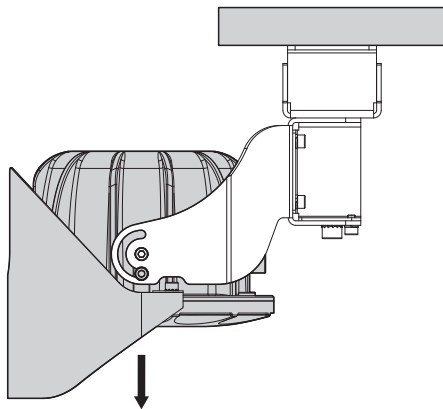


그림. 7 천장 설치의 예, 수직회전, -90° .

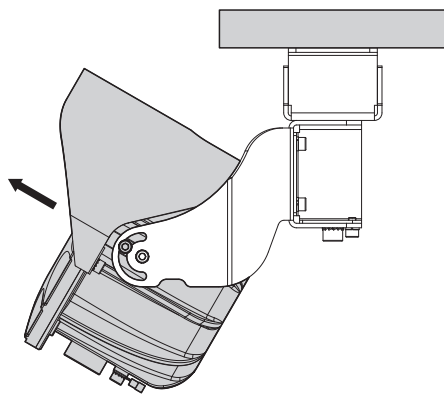


그림. 8 천장 설치의 예, 수직회전, $+30^{\circ}$.

6.1.1 난간 또는 천장 장착 고정

제품을 난간 또는 천장에 설치할 수 있습니다.
고정 지지대(01)를 최종 설치 표면에 고정하십시오.
스크류들을 잠급니다.

제공된 M5 나사와 와셔 5개를 사용해 보강 지지대 (02)를 하우징 지지대(03)에 조립하십시오. M8 나사 (05), 잠금 와셔 8개 및 적절한 스페이서(04)를 사용해 조립된 지지대 2개를 고정 지지대(01)에 고정하십시오. 제품의 최종 위치를 정한 뒤 M8 나사(05)를 완전히 조이고 M5 나사(08)를 블록 회전부에 고정합니다.

케이블을 하우징에 연결하는 작업은 어려울 수 있습니다. 선실드를 분해하여 하우징을 180° 회전시킬 수 있습니다. (6.2 선실드 장착, 페이지 17).

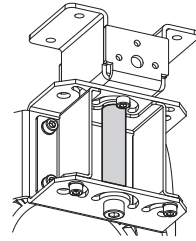


그림. 11 설치가 완료된 배면도.

고정 지지대의 위치에 따라 난간 또는 천장에 고정하는 방식이 다릅니다.

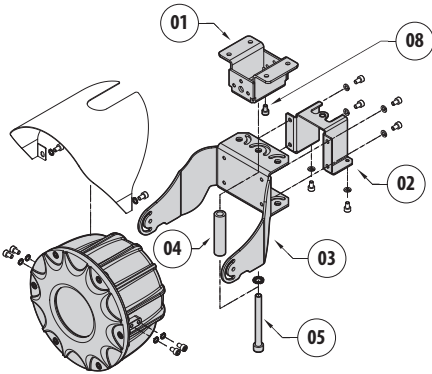


그림. 9 천장에 고정 (정상 위치에 있는 하우징).

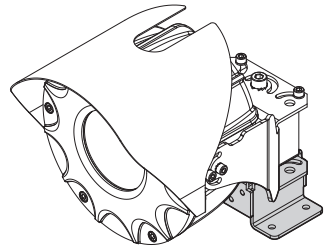


그림. 12 난간에 고정.

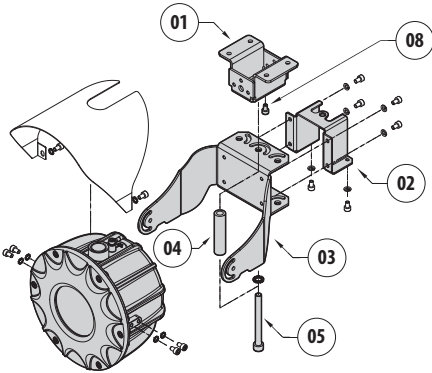


그림. 10 천장에 고정 (뒤집힌 위치에 있는 하우징).

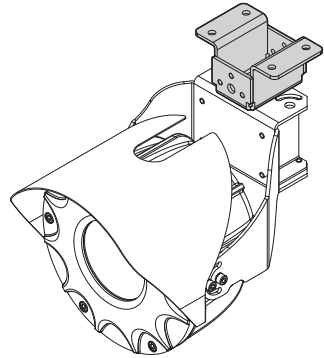


그림. 13 천장에 고정.

⚠️ 고정동안 주의를 기울입니다. 조임 토크: M5 나사, 9Nm (±0.5Nm). M8 나사, 16.5Nm (±0.5Nm).

6.1.2 벽 장착

제품을 벽에 설치할 수 있습니다.

고정 지지대(01)를 최종 설치 표면에 고정하십시오.

스크류들을 잠급니다.

M8 나사(05), 와셔 및 너트를 사용해 하우징 지지대(03)를 고정 지지대(01)에 조립하십시오. 제품 최종 위치가 결정되면 M8 나사(05)를 완전히 조이고 M5 나사(08)를 고정하여 회전하지 않도록 합니다.

케이블을 하우징에 연결하는 작업은 어려울 수 있습니다. 선실드를 분해하여 하우징을 180° 회전시킬 수 있습니다. (6.2 선실드 장착, 페이지 17).

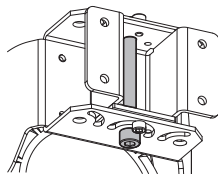


그림. 16 설치가 완료된 배면도.

⚠ 고정동안 주의를 기울입니다. 조임 토크: M5 나사, 9Nm (±0.5Nm). M8 나사, 16.5Nm (±0.5Nm).

6.2 선실드 장착

제품은 선실드가 이미 설치된 상태로 제공됩니다.

설치 또는 유지관리 요구에 따라 선실드를 분해할 수 있습니다. 선실드 나사를 풀어 제거하십시오.

하우징을 케이스 지지대에 고정하기 전에 선실드를 다시 조립하십시오.

⚠ 고정동안 주의를 기울입니다. 조임 토크: 6Nm (±0.5Nm).

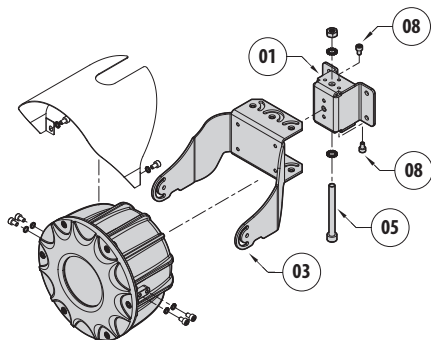


그림. 14 정상 위치에 있는 하우징.

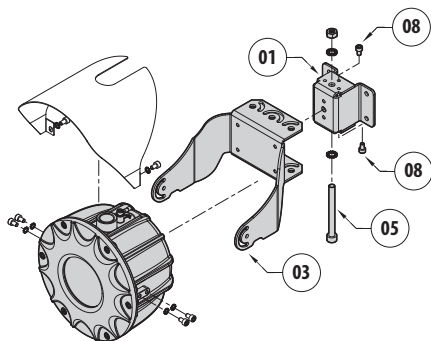


그림. 15 뒤집힌 위치에 있는 하우징.

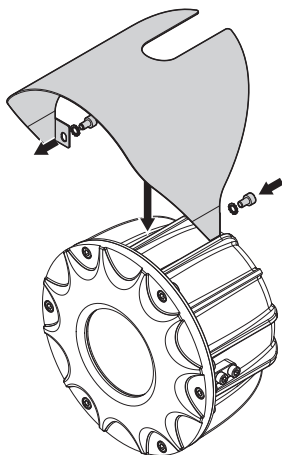


그림. 17

6.3 하우징 열기

! 모든 유형의 조정을 수행하기 전에 이 설명서의 "안전규칙" 장을 읽어보십시오.

클로저 나사를 풀고 하우징 본체에서 전면 덮개를 제거하십시오.

나사 속성

- 직경/나사 피치: M5x0.8
- 재료: A4
- 나사 머리: ISO 4762
- 길이: 8mm
- 항복 응력 (min): 450N/mm²

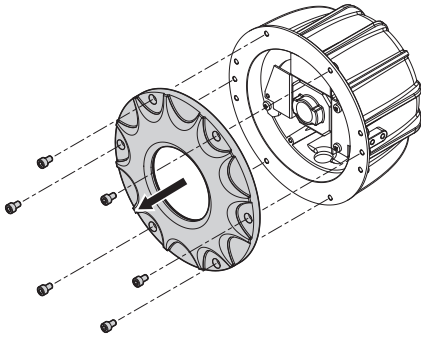


그림. 18

6.4 슬라이드 제거

M4 나사 3개를 풀어 슬라이드를 분리합니다. 슬라이드를 분리하기 전에 케이블이 클립에 고정되지 않았는지 점검합니다.

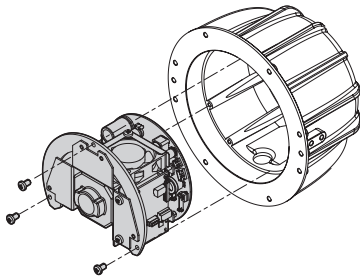


그림. 19

6.5 하우징 보드 설명

카드의 설명	기능
커넥터/단자	
J1	전력 공급선 (24Vac/24Vdc)
J4	가열기
J5	보드 테스트
J6	송풍기
J7	비디오 인코더 연결
J8	Ethernet, PoE+ 전원 공급 장치
F1	퓨즈
SW1	딥 스위치 재설정

표 5

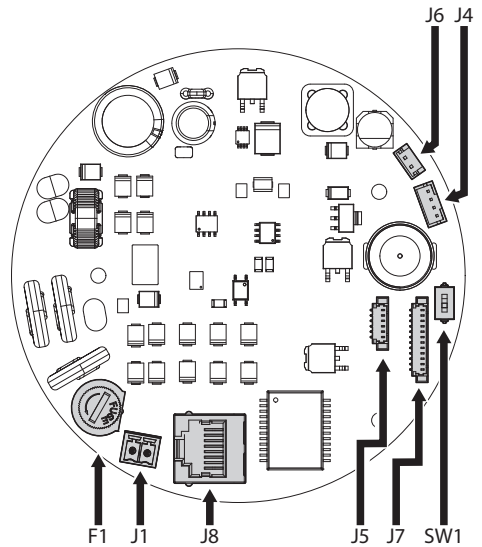


그림. 20

6.6 전원공급 라인 연결

6.6.1 전원공급 라인 연결, 24Vac/24Vdc (케이블이 연결되지 않은 제품 버전)

! 전원 공급 장치 소켓과 케이블이 적절한 치수인지 점검합니다.

i 전원 단자에 적용되는 전압의 극성은 무관합니다.

전원공급 라인 연결		
전원 공급 24Vac/24Vdc		
색	단자들	케이블 단면
설비자로부터의 정의	~/+	~로부터 0.14mm ² (28AWG) 까지 1.5mm ² (16AWG)
설비자로부터의 정의	~/-	~로부터 0.14mm ² (28AWG) 까지 1.5mm ² (16AWG)

표 6

케이블 사양		
케이블 섹션	전원공급의 전압	최대 케이블 길이
1.5mm ² (16AWG)	24Vdc	20m(66ft)
	24Vac	40m

표 7

! 전원 케이블은 장치에 있는 실리콘 보호대 (01)로 덮혀 있어야 합니다. 실리콘 보호대는 전용밴드(02)로 고정되어야 합니다.

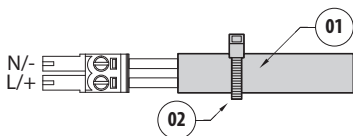


그림. 21

전원 공급 장치 케이블을 하우징 보드의 전원 공급 장치 단자에 연결해야 합니다. (J1, 6.5 하우징 보드 설명, 페이지 18).

6.6.2 전원공급 라인 연결, PoE+ (케이블이 연결되지 않은 제품 버전)

카테고리 5E 이더넷 데이터 케이블을 사용하며 국제 기술 표준인 IEEE 802.3at를 준수하는 PoE+(이더넷 전원 장치) 장치를 사용해 제품에 전원을 공급할 수 있습니다.

i 최대 이더넷 케이블 길이(카테고리 5E): 100m.

제품 전원 공급 장치에 적합한 PSE(전원 공급 장치) 장치는 IEEE 802.3at(PoE+) 표준을 준수해야 합니다. 이더넷 케이블을 하우징 보드의 RJ45 커넥터에 연결해야 합니다. (J8, 6.5 하우징 보드 설명, 페이지 18).

! 이더넷 케이블을 실드는 항상 커넥터를 통해 접지되어야 합니다. 항상 차폐 RJ45 커넥터를 사용하십시오.

표의 설명과 같이 연결 수행 (표준 사양에 따름: TIA/EIA-568-B).

ETHERNET 케이블 연결	
Pin 번호	코어 색상
1	주황색-흰색
2	주황색
3	초록색-흰색
4	블루
5	블루-흰색
6	초록색
7	갈색-흰색
8	갈색

표 8

6.6.3 전원공급 라인 연결, 24Vac/24Vdc (케이블이 연결된 제품 버전)

표의 설명과 같이 연결 수행.

전원공급 라인 연결 (24VAC/24VDC)		
색	기능	케이블 단면
검정색 1	~/+	1.5mm ² (16AWG)
검정색 2	~/-	1.5mm ² (16AWG)

표 9

6.6.4 전원공급 라인 연결, PoE+ (케이블이 연결된 제품 버전)

PoE 인젝터(미드스팬 구성)를 사용해 제품을 PoE+(엔드스팬 구성) 포트가 장착된 이더넷 스위치 또는 기존 이더넷 스위치에 직접 연결할 수 있습니다.

6.7 Ethernet 케이블 연결

! 이더넷 케이블 실드는 항상 커넥터를 통해 접지되어야 합니다. 항상 차폐 RJ45 커넥터를 사용하십시오.

다음 특성을 가진 이더넷 케이블 사용:

- STP (차폐)
- 카테고리 5E
- 케이블 최소 단면: 0.22mm^2 (24AWG).

자세한 내용에 대해서는 관련된 장을 참조합니다. (6.6.2 전원공급 라인 연결, PoE+ (케이블이 연결되지 않은 제품 버전), 페이지 19).

6.7.1 이더넷 네트워크 케이블 연결 (제품 케이블 버전)

제품을 이더넷 스위치에 직접 연결할 수 있습니다. 전형적인 설치는 아래 예에 있습니다.

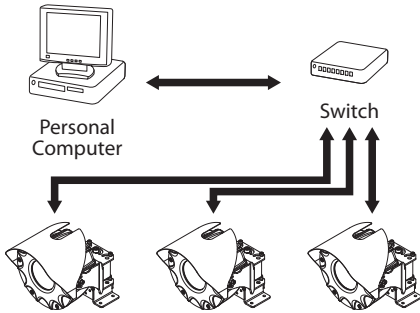


그림. 22

6.8 접지 등전위 접속

등전위 접속은 반드시 최소 4mm^2 단면의 외부 케이블 (11AWG)을 이용해 실시해야 합니다.

접지 등전위 접속에 사용할 케이블을 제공된 아일릿 터미널(4mm^2 (11AWG)~ 6mm^2 (9AWG) 단면의 케이블에 적합)에 연결하십시오.

제공된 M5 나사와 잠금 와셔를 사용해 아일릿을 고정하십시오.

M5 나사의 특성:

- 재료: A4
- 나사 머리: ISO 4762
- 길이: 8mm
- 항복 응력 (min): 450N/mm^2

! 주의! 외부 등전위 연결은 제품 외부의 작은 구멍을 통해 설정해야 합니다. 보호 단자로 사용하지 마십시오.

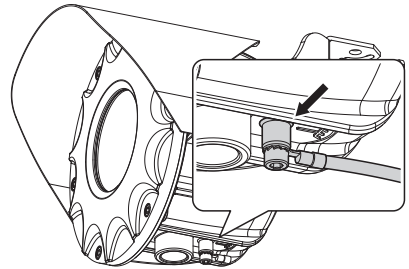


그림. 23

6.9 하우징 닫기

! 뚜껑을 닫기 전에 시스템 작동 결과가 양성인지 시험하고 위험 대기를 허용합니다.

! 제품의 개폐 작동 중에는 내화성 조인트가 손상되지 않도록 주의하십시오.

! 전면 덮개를 닫기 전에 O링 개스킷에 손상이 없는지 점검합니다. 밀봉이 손상된 경우 제공된 제품으로 교체하십시오.

뚜껑에 오물이나 부스러기가 없는지 확인합니다.

전면 덮개가 닫히는 동안 간섭이 발생하지 않도록 케이블을 배열하십시오. 케이블이 찢어지지 않도록 슬라이드 아래에 고정 클립용 구멍이 있습니다.

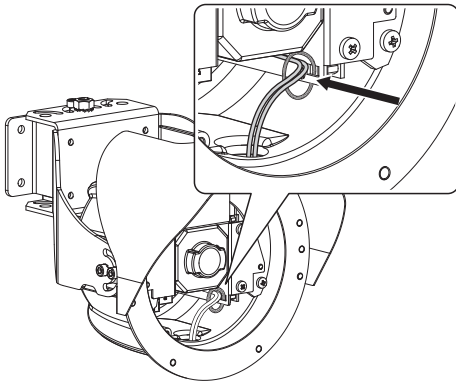


그림. 24

전면 덮개와 하우징 본체 사이에 있는 폐쇄 구멍들을 정렬 상태로 유지하면서 하우징 본체에 전면 덮개를 삽입하십시오.

! O-링 개스킷이 손상되지 않게 주의합니다.

이전에 제거한 나사를 다시 고정하십시오.

나사 속성

- 직경/나사 피치: M5x0.8
- 재료: A4
- 나사 머리: ISO 4762
- 길이: 8mm
- 항복 응력 (min): 450N/mm²

! 고정동안 주의를 기울입니다. 조임 토크: 9Nm (±0.5Nm).

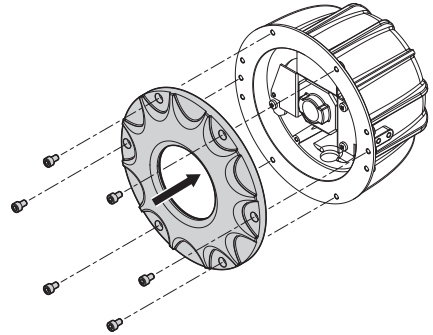





그림. 25

7 켜짐

 충전부와외의 접촉을 방지하도록 장치와 시스템의 기타 구성 요소가 적절하게 폐쇄되었는지 확인하십시오.

 모든 부분들이 견고하고 신뢰할 수 있게 고정되었는지 확인합니다.

 **자동예열의 절차(De-ice)는 -10°C 이하의 환경 온도에서 장치가 켜지는 모든 순간을 활성화 할 수 있습니다. 이 절차는 저온에서 장치의 올바른 작동을 보장하기 위해 필요합니다. 예열 과정 시간: 60 분.**


장치를 켜기 위해서 전기 전원공급에 연결합니다.

장치를 켜 후 장치가 완전히 작동하려면 몇 분 정도 걸립니다.

장치를 끄기위해서 전기 전원공급을 분리합니다.

8 형성

8.1 기본 IP 주소

 장치는 DHCP 서버에서 IP 주소를 가져오도록 구성되었습니다.

DHCP를 통해 가져온 IP 주소는 DHCP 서버 로그 파일에 표시됩니다.

DHCP 서버를 사용할 수 없을 경우 장치는 169.254.x.x/16 서브넷에서 자체 생성된 IP 주소로 자동 구성됩니다. 동일한 서브넷에 속한 PC의 IP 주소 구성 (예: IP 주소: 169.254.1.1, subnet mask: 255.255.0.0).

ONVIF 호환 VMS나 네트워크 스니퍼를 사용해 장치의 IP 주소를 찾습니다. (IP scan utility).

8.2 인터페이스 웹

8.2.1 웹 페이지에 처음 액세스하기

장치형성의 첫 작업은 그의 인터페이스 웹에 연결로 구성합니다.

제품의 웹 인터페이스에 액세스하려면 간단히 브라우저를 사용하여 에 연결합니다:

http://IP 주소 에.

처음 액세스 시 홈 페이지가 표시됩니다.

웹 인터페이스를 구성하려면 설치된 펌웨어 버전과 관련된 설명서를 참조하십시오. 설명서는 웹사이트 www.videotec.com의 제품 페이지에서 다운로드할 수 있습니다.

9 유지보수

! 모든 유형의 조정을 수행하기 전에 이 설명서의 "안전규칙" 장을 읽어보십시오.

9.1 정기 유지관리

VIDEOTEC의 기술 서비스 센터에 연결되어졌을 때 유일하게 장치를 확인할 수 있는 코드인 일련번호가 제공되어야 합니다.

9.1.1 케이블 검사하기

위험한 상황이 발생할 수 있는 케이블 손상이나 마모 징후를 보이지 않아야 합니다. 이 경우 케이블 유지관리를 수행해야 합니다.

9.2 각별한 유지관리가

9.2.1 퓨즈의 교체

! 주의! 화재 위험으로부터 보호하려면 동일한 유형과 값의 퓨즈로 교체합니다. 자격이 있는 직원만 퓨즈를 교체해야 합니다.

i cULus Listed 인증을 유지하려면 퓨즈가 UL Listed여야 합니다 (OMEGA GT520224, BUSSMAN S509).

사용되는 퓨즈는 아래에 명시되어 있습니다.

퓨즈 교체	
전원공급의 전압	퓨즈 (F1)
24Vac, 50/60Hz	T 2A H 250V 5x20
24Vdc	

표 10

또는 특성이 동일한 퓨즈를 사용하십시오.

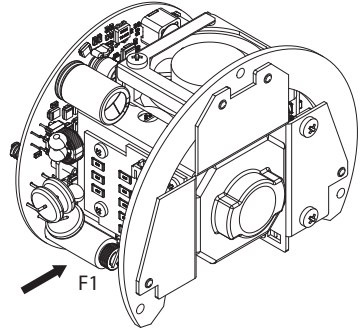


그림. 26

9.2.2 개스킷 교체

제품의 O링 개스킷을 제공된 부품으로 교체하십시오.
이전 장에 설명된 대로 덮개를 열었다가 닫으십시오.
올바르게 배치되는지 주의하면서 O링 개스킷을
교체하십시오.

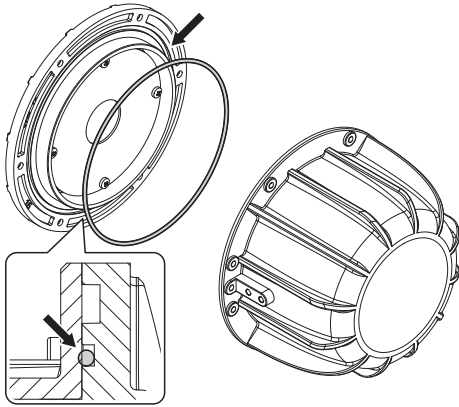


그림. 27

9.2.3 Factory Default


공장 기본 설정을 재설정할 수 있습니다.
공장 기본 설정 절차의 효과는 웹 인터페이스를 통해
얻은 효과와 동일합니다. (인터페이스 웹 매뉴얼,
도구들 화면 (Tools), 하드 리셋 버튼).

아래 절차를 따릅니다:

- 장치의 전원 공급 장치를 분리합니다.
- 하우징을 열고 슬라이드를 분리합니다.
- 딥 스위치 재설정을 커짐으로 설정합니다. (SW1,
6.5 하우징 보드 설명, 페이지 18).
- 슬라이드를 다시 삽입하고 하우징을 닫습니다.
- 장치에 전원공급 2분 기다리십시오.
- 장치의 전원 공급 장치를 분리합니다.
- 하우징을 열고 슬라이드를 분리합니다.
- 딥 스위치 재설정을 꺼짐으로 설정합니다. (SW1,
6.5 하우징 보드 설명, 페이지 18).
- 슬라이드를 다시 삽입하고 하우징을 닫습니다.
- 장치에 전원공급

i 공장 기본 설정 절차가 종료되면 관련 챕터의
설명에 따라 장치를 구성해야 합니다. (8.1
기본 IP 주소, 페이지 22).

10 청소


 모든 유형의 조정을 수행하기 전에 이 설명서의 "안전규칙" 장을 읽어보십시오.


 주파수는 제품을 사용할 환경의 유형에 따라 다릅니다.

10.1 유리창 청소

물로 희석한 순한 비누로 청소해야 합니다.

10.2 제품 청소


 제품의 외부 표면에 먼지가 5mm 이상 쌓이지 않도록 하십시오.

 정전기가 쌓이지 않도록 이 챕터의 지침에 따라 제품을 청소해야 합니다.

장치는 젖은 천으로 청소해야 하며 압축 공기를 사용하지 마십시오.

11 폐기 및 재활용 정보

유럽 전자 폐기물 (WEEE) 지침 2012/19/EU 은 기기들이 일반적으로 고형 폐기물의 절차에 따라 처리 되지 말아야 하며 재활용과 회수를 최적화 하기 위해 별도로 수집되어야 한다고 규정한다. 이는 잠재적 유해 물질이 인간의 건강과 환경에 미칠 영향을 줄이기 위해서이다.

 이를 기억하기 위해 심볼은 모든 제품에 마킹되어야 한다.

쓰레기는 적절한 수거 센터로 배달되거나 신규로 상응하는 제품 구매할 때 무상으로 유통업자에게 전달될 수 있다. 또는 25cm 보다 작은 크기의 장비를 신규 구매시는 의무 없이 유통업자에게 전달 될 수 있다.

이러한 기기의 올바른 처분에 대해서는 담당 공무원에게 문의 할 수 있다.

12 Troubleshooting



모든 유형의 조정을 수행하기 전에 이 설명서의 "안전규칙" 장을 읽어보십시오.



문제가 지속되거나 여기에 설명되지 않은 다른 문제가 있는 경우 공인 지원 센터에 문의하십시오.

문제	제품은 켜지지 않습니다.
원인	배선이 잘못되면 퓨즈가 파손됩니다.
해결책	연결의 올바른 실행을 확인합니다. 퓨즈 연결을 점검하고 잘못된 경우 지정 모델로 교체하십시오.

문제	비디오 스트리밍이 보이지 않습니다..
원인	잘못된 IP 주소 설정.
해결책	컴퓨터 네트워크 카드의 장치 IP 주소 및 구성을 점검하십시오.
원인	자동 예열 절차(De-Ice) 진행중.
해결책	예열 과정이 끝날 때까지 기다리십시오. 기온이 너무 낮으면 장치가 비활성화 상태로 유지됩니다.

13 기술 데이터

13.1 기계

AISI 316L 스테인리스 스틸 구조
쇼트 피닝 및 전기연마 표면
선 실드 파라솔
벽, 천장 또는 난간 설치용 지지대
단일 중량:
<ul style="list-style-type: none"> • 6.5kg (하우징만 + 장착 브래킷) • 8.5kg (4m 다극 케이블 실드가 있는 하우징)

13.2 케이블 글랜드

케이블 인입구: 구멍 1개, 1/2" NPT
케이블 글랜드 Ex d 1/2"NPT (사전 설치된 케이블만 포함)

13.3 하우징 창

재료: 강화된 유리
사용 가능 직경: 73.5mm

13.4 전기

전원공급의 전압/흡수류
<ul style="list-style-type: none"> • 24Vac ±10%, 1.32A, 50/60Hz • 24Vdc ±5%, 0.9A • PoE+ (IEEE 802.3at)
흡수력:
<ul style="list-style-type: none"> • 21W (24Vac, 1.32A, 50/60Hz) • 20W (24Vdc, 0.9A) • 21W (PoE+)
외장 케이블
<ul style="list-style-type: none"> • 외부 직경: 16.8mm±0.4mm • 외장 속 직경: 12.4mm±0.3mm • 색: 검정색 RAL 9005
외장 케이블 구성:
<ul style="list-style-type: none"> • 3x1.5mm² (15AWG) • 4x2x0.22mm² (24AWG) (cat. 5E F/STP)

13.5 네트워크

이더넷 연결: 100 Base-TX
커넥터: RJ45

13.6 카메라

Day/Night Full HD 10x

해상도: Full HD 1080p (1920x1080pixel)
신호 시스템: 1080p/60fps max
이미지 센서: 1/3" CMOS sensor
유효화소: 2.48Megapixel
최소 밝기, 색 (ICR-OFF): <ul style="list-style-type: none">• 0.5lx IRE 50%• 0.125lx IRE 50% (Slow Shutter)
최소 밝기, B/W (ICR-ON): <ul style="list-style-type: none">• 0.1lx IRE 50%• 0.025lx IRE 50% (Slow Shutter)
광학: <ul style="list-style-type: none">• ~로부터 f= 5.1mm (wide) 까지 51mm (망원)• ~로부터 F1.6 까지 F1.8
Zoom: 10x (320x, 디지털 줌 사용)
수평의 시각 범위: ~로부터 54° (wide) 까지 4.9° (망원)
사물의 최소 거리: ~로부터 100mm (wide) 까지 1000mm (망원)
셔터 속도: ~로부터 1/8s 까지 1/30000s, 14 steps
화이트 밸런스: Auto, Indoor, 집 밖의, 매뉴얼
Wide Dynamic Range: On/Off, Light level
노출점검: Auto, 매뉴얼, Shutter priority, Iris priority, 밝기
S/N Ratio: 50dB
De-fog: Off, Auto, 매뉴얼
프라이버시 구역 마스크: 최대 8개의 설정 가능 마스크
역광 보정
디지털 영상 흔들림 방지: On/Off

Day/Night Full HD 3x

해상도: Full HD 1080p (1920x1080pixel)
신호 시스템: 1080p/30fps max
이미지 센서: 1/2" type Exmor™ CMOS sensor
유효화소: 2.17Megapixel
최소 밝기, 색 (ICR-OFF): <ul style="list-style-type: none">• 0.15lx, (1/30s)• 0.0375lx, (1/7.5s), (Slow Shutter)
최소 밝기, B/W (ICR-ON): <ul style="list-style-type: none">• 0.1lx, (1/30s)• 0.002lx, (1/7.5s), (Slow Shutter)
광학: <ul style="list-style-type: none">• ~로부터 f= 3.6mm (wide) 까지 10mm (망원)• ~로부터 F1.5 까지 F2.7
Zoom: 3x (96x 디지털 줌 사용)
수평의 시각 범위: ~로부터 88.4° (wide) 까지 40.7° (망원)
사물의 최소 거리: 1000mm (wide to tele)
셔터 속도: ~로부터 1/8s 까지 1/30000s, 14 steps
화이트 밸런스: Auto, Indoor, 집 밖의, 매뉴얼
Wide Dynamic Range: On/Off
노출점검: Auto, 매뉴얼, Iris priority, Shutter priority, 밝기
S/N Ratio: 50dB
De-fog: On/Off, Auto, Manual
프라이버시 구역 마스크: 최대 8개의 설정 가능 마스크
역광 보정
디지털 영상 흔들림 방지: On/Off

13.7 환경

실내 및 실외 환경에 설치

인증 온도: ~로부터 -40°C 까지 +65°C (T6/T85°C)
 혹은 +70°C (T5/T100°C)

동작 온도:

- 지속 기능: ~로부터 -40°C 까지 +65°C
- NEMA-TS 2-2003(R2008)을 준수하는 온도 테스트 par. 2.1.5.1, 테스트 프로파일 그림 2-1(-34°C(-29.2°F)~+74°C(165.2°F)) (Day/Night 카메라 10X 줌, FullHD 모델 전용)
- 제빙 기능 개입 (콜드 스타트): ~로부터 -40°C 까지 -10°C

상대 습도: ~로부터 5% 까지 95%

13.8 인증서

전기 안전 (CE): EN60950-1, IEC60950-1, EN62368-1, IEC62368-1

전자기 호환성 (CE): EN61000-6-4, EN61000-3-2, EN61000-3-3, EN50130-4, EN55032 (클래스 A)

RoHS (CE): EN IEC 63000

실외에 설치 (CE): EN60950-22, IEC60950-22

IP 보호 등급 (EN/IEC60529): IP66, IP67, IP68 (2 시간, 5m), IP69

진동 시험: EN50130-5, EN60068-2-6

UL 인증서 (UL60950-1, CAN/CSA C22.2 No. 60950-1-07, UL62368-1 CAN/CSA C22.2 No. 62368-1-14): cULus Listed

전자기 호환성 (북아메리카): FCC part 15 (클래스 A), ICES-003 (클래스 A)

보호 수준 형식 (UL50E): 4X, 6P

BIS 인증서: IS 13252 (PART 1)/IEC60950-1 (인증은 다음 규정에 대해서만 유효함: MMX2D0ZA)

KC 인증서 (인증은 다음 규정에 대해서만 유효함: MMX2C0ZJ)

RCM (Australian and New Zealand Regulatory Compliance Mark)

NDAА 준수

13.9 인증서 - 방폭 기기

ATEX (EN IEC 60079-0, EN 60079-1, EN 60079-31)

IECEx (IEC 60079-0, IEC 60079-1, IEC 60079-31)

EAC EX (TR CU 012/2011)

INMETRO (ABNT NBR IEC 60079-0, ABNT NBR IEC 60079-1, ABNT NBR IEC 60079-31)

KCs (Employment and labor department 2021-22)

UL listed for USA (UL 60079-0, UL 60079-1, UL 60079-31)

UL listed for Canada (CAN/CSA-C22.2 NO. 60079-0, CAN/CSA-C22.2 NO. 60079-1, CAN/CSA-C22.2 NO. 60079-31)

UK Ex (EN IEC 60079-0, EN 60079-1, EN 60079-31)

13.10 인증서 - 해양 기기

로이드 선급협회 선박용물건 형식승인증서(TAC) (Day/Night 카메라 10X 줌, FullHD 모델 전용):

- Test Specification Number 1 (ENV1, ENV2, ENV3, ENV5)

전자기 호환성: EN60945

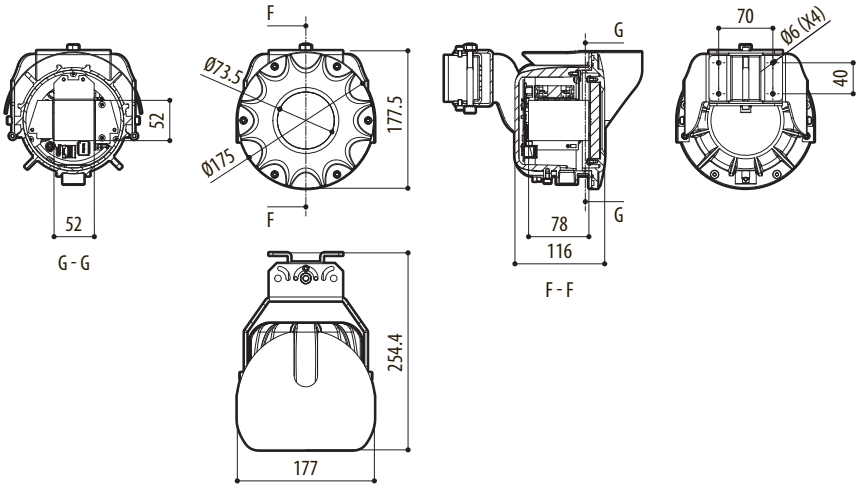
염무 저항: EN60068-2-52

EN60068-2-2 충족 조건인 70°C (158°F)에서 16시간 테스트

14 기술 도면

i 측정 단위는 밀리미터로 표시됩니다.

벽 장착



난간 또는 천장 장착 고정

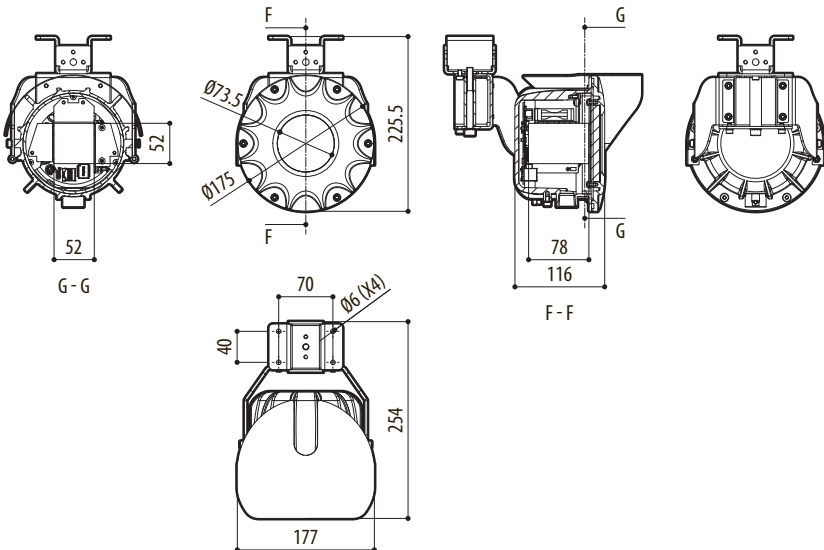


그림. 28 MAXIMUS MMX.



Headquarters Italy VIDEOTEC s.r.l.
Via Friuli, 6 - I-36015 Schio (VI) - Italy
Tel. +39 0445 697411 - Fax +39 0445 697414
Email: info@videotec.com
www.videotec.com

MNVCMMX_2223_KO



Headquarters Italy VIDEOTEC s.r.l.
Via Friuli, 6 - I-36015 Schio (VI) - Italy
Tel. +39 0445 697411 - Fax +39 0445 697414
Email: info@videotec.com
www.videotec.com

MNVCMMX_2223