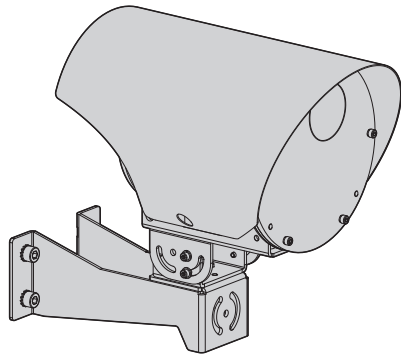
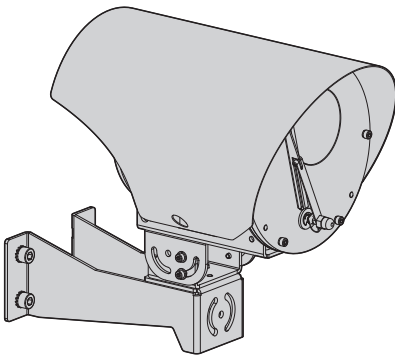




NVX NTX

Stainless steel camera



EN English - Instruction manual

IT Italiano - Manuale di istruzioni

FR Français - Manuel d'instructions

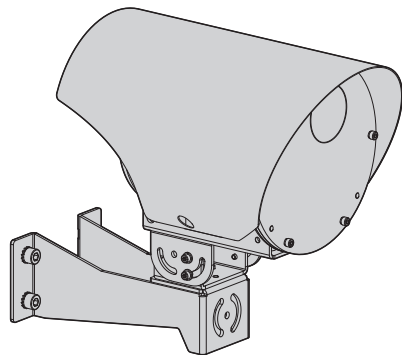
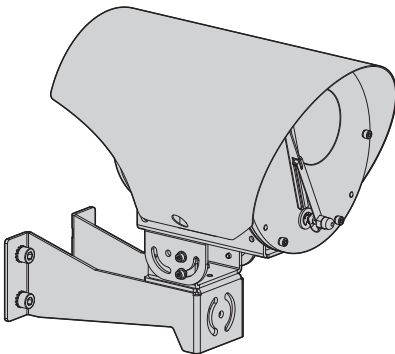
DE Deutsch - Bedienungsanleitung

RU Русский - Руководство по эксплуатации



NVX NTX

Stainless steel camera



Contents

1 About this manual	7
1.1 Typographical conventions	7
2 Notes on copyright and information on trademarks	7
3 Note on data security	7
3.1 Introduction	7
4 Safety rules	8
5 Identification	10
5.1 Product description and type designation	10
5.1.1 NVX	10
5.1.2 NTX	10
5.2 Product overview	10
5.3 Product marking	11
5.3.1 Checking the markings	11
6 Versions	11
6.1 NVX	11
6.1.1 Version with integrated wiper	11
6.1.2 Version without wiper	11
6.1.3 Day/Night camera	11
6.1.4 VIDEOTEC ANALYTICS	11
6.2 NTX	11
6.2.1 Germanium window	11
6.3 Model identification	12
7 Preparing the product for use	13
7.1 Unpacking	13
7.2 Safely disposing of packaging material	13
7.3 Contents	13
7.4 Preparatory work before installation	14
7.4.1 Wall, railing or ceiling fastening	14
7.4.2 Installation options	16
8 Installation	18
8.1 Functional ground	18
8.2 Quick connectors cabling	18
8.2.1 Mobile connectors cabling (power supply, I/O)	19
8.2.2 Relays connection	20
8.2.3 Mobile connectors cabling (Ethernet, PoE+)	21
8.2.4 Connection of the Ethernet cable	22
9 Switching on	22
10 Configuration	23
10.1 Default IP address	23
10.2 Web interface	23
10.2.1 First access to the web pages	23

11 Accessories and Supports	23
11.1 Washer.....	23
11.2 Mounting bracket for LED illuminator.....	24
11.3 LED illuminator	24
11.4 Corner mount adaptor	24
11.5 Pole mount adaptor	24
11.6 Counter-plate	25
11.7 Dust protection frontal shield	25
12 Maintenance	25
12.1 Sunshield removal	25
12.2 Opening and closing the camera.....	26
12.3 Camera board description	26
12.4 Fuse replacement.....	27
12.5 Factory Default	27
12.5.1 Factory Default, NVX (version with wiper), NTX.....	27
12.5.2 Factory Default, NVX (version without wiper)	27
13 Cleaning	28
13.1 Cleaning the window	28
13.2 Cleaning the germanium window.....	28
14 Information on disposal and recycling	28
15 Technical data	29
15.1 NVX.....	29
15.1.1 General.....	29
15.1.2 Mechanical.....	29
15.1.3 Windows for camera.....	29
15.1.4 Electrical	29
15.1.5 Network	29
15.1.6 Video	29
15.1.7 I/O interface.....	29
15.1.8 Cameras.....	30
15.1.9 Environment.....	31
15.1.10 Certifications.....	31
15.1.11 Certifications - Railway applications	31
15.1.12 Certifications - Marine applications	31
15.2 NTX.....	32
15.2.1 General.....	32
15.2.2 Mechanical.....	32
15.2.3 Windows for camera.....	32
15.2.4 Electrical	32
15.2.5 Network	32
15.2.6 Video	32
15.2.7 I/O interface.....	32
15.2.8 Cameras	33
15.2.9 Environment.....	35
15.2.10 Certifications.....	35
15.2.11 Certifications - Railway applications	35

15.2.12 Certifications - Marine applications	35
16 Technical drawings	36

1 About this manual

Read all the documentation supplied carefully before installing and using this product. Keep the manual in a convenient place for future reference.

1.1 Typographical conventions



DANGER!

High level hazard.

Risk of electric shock. Disconnect the power supply before proceeding with any operation, unless indicated otherwise.



DANGER!

Mechanical hazard.

Risk of crushing or shearing.



DANGER!

Hot surface.

Avoid contact. Surfaces are hot and may cause personal injury if touched.



CAUTION!

Medium level hazard.

This operation is very important for the system to function properly. Please read the procedure described very carefully and carry it out as instructed.



INFO

Description of system specifications.

We recommend reading this part carefully in order to understand the subsequent stages.

Microsoft Edge®, Windows XP®, Windows Vista®, Windows 7®, Windows 8®, Windows 10® are the property of Microsoft Corporation.

Google Chrome® is a trademark of Google LLC.

Mozilla Firefox® is a trademark of Mozilla Foundation.

INTEL® Core™ 2 Duo, INTEL® Core™ 2 Quad, INTEL® Xeon® are the property of Intel Corporation.

ONVIF® is a trademark of Onvif, Inc.

3 Note on data security

3.1 Introduction

VIDEOTEC s.r.l. manufactures video surveillance products exclusively for professional use. VIDEOTEC s.r.l. products can be used in technical contexts and for wide-ranging purposes, from controlling the security of citizens to monitoring product processes in risk areas to application for environmental monitoring and protection.

Some of these uses can involve processing of personal data by those using a video surveillance system within which VIDEOTEC s.r.l. products are installed and integrated.

The wide-ranging application scenarios prevent definition of standard IT safety measures set by default on products compatible with any use scenario and technical context. In particular, certain security measures (including measures composing a sector standard in devices intended for non-professional use) may be incompatible or unnecessary in particular technical contexts or, on the contrary, insufficient.

2 Notes on copyright and information on trademarks

The mentioned names of products or companies are trademarks or registered trademarks.

It is therefore indispensable that risk analysis linked to IT security aspects, also in relation to applicable local standards on personal data protection, are performed by specialist staff responsible for end use of the product.

The user of the product therefore, availing of specialist staff in IT security, has to decide under his/her exclusive responsibility whether to:

- Enable certain or all security functionalities offered by the VIDEOTEC s.r.l. device;
- Implement different security measures at system level;
- Combine the two options.

The aforementioned choice should be made based on the specific technical and legislative context, as well as the type of data processed using the video surveillance system.

Given the type of technical contexts within which VIDEOTEC s.r.l. devices are typically used, it is not possible or would it ever be advisable that the firmware for these devices automatically upgrades via the Internet. Over time, VIDEOTEC s.r.l. could release security upgrades for its devices, which should be manually installed by the user, always by specialist staff, if certain or all the security functionalities for the device provided are enabled. The user is obliged to be updated via VIDEOTEC s.r.l. institutional communication channels on the availability of firmware security upgrades.

4 Safety rules



CAUTION! The electrical system to which the unit is connected must be equipped with a 10A max automatic bipolar circuit breaker. This circuit breaker must be of the Listed type. The minimum distance between the circuit breaker contacts must be 3mm (0.1in). The circuit breaker must be provided with protection against the fault current towards the ground (differential) and the overcurrent (magnetothermal).



CAUTION! Device installation and maintaining must be performed by specialist technical staff only.



CAUTION! TNV-1 installation type. The installation is type TNV-1, do not connect it to SELV circuits.



CAUTION! For continued protection against risk of fire, replace only with same type and rating of fuse. Fuses must be replaced only by service personnel.

- The manufacturer declines all responsibility for any damage caused by an improper use of the appliances mentioned in this manual. Furthermore, the manufacturer reserves the right to modify its contents without any prior notice. The documentation contained in this manual has been collected and verified with great care. The manufacturer, however, cannot take any liability for its use. The same thing can be said for any person or company involved in the creation and production of this manual.
- Before starting any operation, make sure the power supply is disconnected.
- Be careful not to use cables that seem worn or old.

- Never, under any circumstances, make any changes or connections that are not shown in this handbook. Improper use of the appliance can cause serious hazards, risking the safety of personnel and of the installation.
- Use only original spare parts. Non-original spare parts could cause fire, electrical discharge or other hazards.
- Before proceeding with installation, check the supplied material to make sure it corresponds to the order specification by examining the identification labels (5.3 Product marking, page 11).
- Since the user is responsible for choosing the surface to which the unit is to be anchored, we do not supply the fixing devices for attaching the unit firmly to the particular surface. The installer is responsible for choosing fixing devices suitable for the specific purpose on hand. Use methods and materials capable of supporting at least 4 times the weight of the device.
- Choose an installation surface that is strong enough to sustain the weight of the device, also bearing in mind particular environmental aspects, such as exposure to strong winds.
- This device was designed to be permanently secured and connected on a building or on a suitable structure. The device must be permanently secured and connected before any operation.
- Make sure the product is to be secured to building before operation.
- Equipment intended for installation in Restricted Access Location performed by specialist technical staff.
- Handle the product with care to avoid accidental contacts, sharp edges and corners.
- The main insulation must be set up externally to the product by a safety transformer and/or an insulated direct current power supply unit.
- To feed the product use a safety transformer and/or a voltage isolated power supply with the appropriate characteristics. The characteristics of output power must not exceed the following values. Supply voltage: 24Vac ($\pm 10\%$) or 24Vdc ($\pm 5\%$).
- A power disconnect device must be included in the electrical installation, and it must be very quickly recognizable and operated if needed.
- For technical services, consult only and exclusively authorized technicians.
- Use adequate personal protective equipment during installation.
- Comply with all the national standards during the device installation.
- This is a Class A product. In a domestic environment this product may cause radio interference. In this case the user may be required to take adequate measures.
- Connect the device to a power source corresponding to the indications given on the marking label. Before proceeding with installation make sure that the power line is properly isolated.
- To comply with the main supply voltage dips and short interruption requirements, use a suitable Uninterruptable Power Supply (UPS) to power the unit.
- Power the device using a mains power supply 24Vac, 24Vdc or, for models without a board for video analysis, a PSE (Power Sourcing Equipment) in compliance with IEEE 802.3at (PoE+).
- In the case of a 24Vac power supply, you must provide for adequate separation from the AC power supply line using double or reinforced insulation between the main power supply line and the secondary circuit.

5 Identification

5.1 Product description and type designation

5.1.1 NVX

NVX is an IP FULL HD super low-light camera with high corrosion resistance.

The NVX external housing is made entirely from AISI 316L stainless steel and has a compact and lightweight design that, along with the quick connectors, helps installation and maintenance.

The modular support for wall, ceiling or parapet mounting is a standard feature.

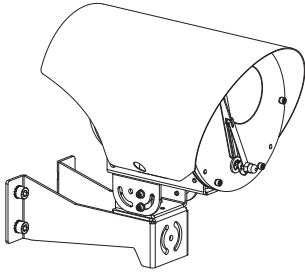


Fig. 1 NVX.

5.1.2 NTX

NTX is a thermal IP camera with high corrosion resistance.

The thermal camera provides vision in fog, rain, smoke, across long-range distances or even in complete darkness.

The germanium window has non-scratch treated, antireflection, Hard Carbon Coating (DLC) on the outside and antireflection inside; the spectral range is from 7.5 μ m to 14 μ m.

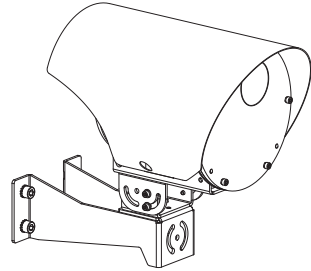


Fig. 2 NTX.

5.2 Product overview

The main parts of the product are illustrated below.

1. Fastening support.
2. Rotation support.
3. Camera support.
4. Sunshield.
5. Camera.

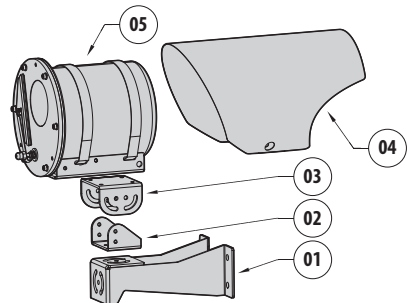


Fig. 3

5.3 Product marking

See the label attached to the product.

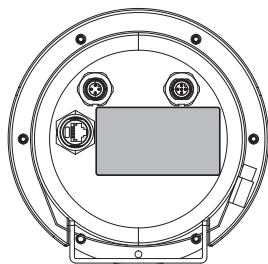


Fig. 4

The label shows:

- Model identification code.
- Supply voltage (V).
- Frequency (Hz).
- Max current (A).
- Serial number.

5.3.1 Checking the markings

Before proceeding further with installation, make sure the material supplied corresponds to the order specification by examining the marking labels.

Never, under any circumstances, make any changes or connections that are not shown in this handbook. Improper use of the appliance can cause serious hazards, risking the safety of personnel and of the installation.

6 Versions

6.1 NVX

6.1.1 Version with integrated wiper

The standard version of the product is supplied with an integrated wiper.

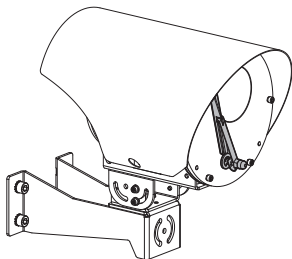


Fig. 5

6.1.2 Version without wiper

There is a simplified version of this product not equipped with a wiper.

Versions are available with a glass window and a polycarbonate window.

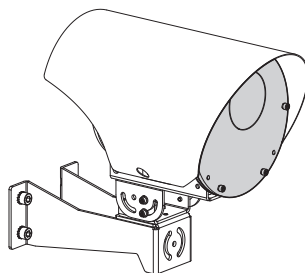


Fig. 6

6.1.3 Day/Night camera

This version of the product is equipped with a Day/Night Full HD camera.

6.1.4 VIDEOTEC ANALYTICS

This version of the product integrates the VIDEOTEC Analytics function.

6.2 NTX

6.2.1 Germanium window

The version with germanium window has been developed for applications with thermal cameras.

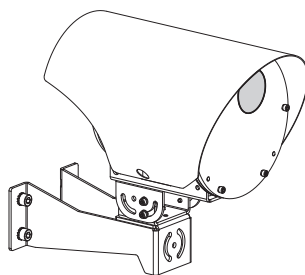


Fig. 7

6.3 Model identification

NVX - CONFIGURATION OPTIONS							
	Voltage	Camera	Versions	Video analytics	Revision		
NVX	2 24Vac/24Vdc/PoE+	10 Super low-light Day/Night camera, FULL HD 1080p, 30x, with DELUX technology	W With wiper	00 Without integrated video analytics (without VIDEOTEC ANALYTICS)	A Complies with ONVIF, Profile Q, Profile S and Profile T		
		20 SONY FCB-EV7520 camera, FULL HD 1080p, 30x	S Without wiper/Glass window	01 With integrated video analytics (VIDEOTEC ANALYTICS)	J Complies with ONVIF, Profile S and Profile T		
			P Without wiper/Polycarbonate window				

Tab. 1 NVX.

NTX - CONFIGURATION OPTIONS								
	Voltage	Camera	Radiometry	Version				Thermal camera frequency
NTX	2 24Vac/24Vdc/PoE+	D Thermal camera 35mm, 640x512	0 Thermal camera with radiometric functions	R Germanium window	0	0	A	- 7.5Hz
		E Thermal camera 25mm, 640x512	R Thermal camera with advanced radiometric functions					H 30Hz
		U Thermal camera 19mm, 640x512						
		G Thermal camera 13mm, 640x512						
		H Thermal camera 9mm, 640x512						
		I Thermal camera 35mm, 336x256						
		L Thermal camera 25mm, 336x256						
		Z Thermal camera 19mm, 336x256						
		M Thermal camera 13mm, 336x256						
		Q Thermal camera 9mm, 336x256						

Tab. 2 NTX.

7 Preparing the product for use



Any change that is not expressly approved by the manufacturer will invalidate the guarantee.

7.1 Unpacking

When the product is delivered, make sure that the package is intact and that there are no signs that it has been dropped or scratched.

If there are obvious signs of damage, contact the supplier immediately.

When returning a faulty product we recommend using the original packaging for shipping.

Keep the packaging in case you need to send the product for repairs.

7.2 Safely disposing of packaging material

The packaging material can all be recycled. The installer technician will be responsible for separating the material for disposal, and in any case for compliance with the legislation in force where the device is to be used.

7.3 Contents

Check the contents to make sure they correspond with the list of materials as below:

- Camera
- Fastening support
- Rotation support
- Camera support
- Sunshield
- Equipment:
 - Quick connectors and caps
 - Instruction manual
 - Bolts and screws (version with wiper)
 - Support for wash system (version with wiper)
 - Nozzle for wash system (version with wiper)
 - Cable tie (version with wiper)
- Supplied with support:
 - Allen wrench
 - Bolts and screws

7.4 Preparatory work before installation

⚠ CAUTION! Device installation and maintaining must be performed by specialist technical staff only.

⚠ Use appropriate tools for the installation. The particular nature of the site where the device is to be installed may mean special tools are required for installation.

⚠ The product must be fastened with suitable equipment. The fastening means must guarantee mechanical sealing when a force equal to at least 4 times the weight of the device is applied.

⚠ Choose an installation surface that is strong enough to sustain the weight of the device, also bearing in mind particular environmental aspects, such as exposure to strong winds.

⚠ It should be installed so that no one can be hit by moving parts. It should be installed so that moving parts cannot hit other objects and create hazardous situations.

⚠ Make sure the product is to be secured to building before operation.

⚠ For technical services, consult only and exclusively authorized technicians.

i Since the user is responsible for choosing the surface to which the unit is to be anchored, we do not supply the fixing devices for attaching the unit firmly to the particular surface. The installer is responsible for choosing fixing devices suitable for the specific purpose on hand.

7.4.1 Wall, railing or ceiling fastening

The product can be installed on a wall, a railing or on the ceiling.

Fasten the fastening support (01) to its final installation surface.

Assemble the camera support (03) to the camera using the four M5 screws and the washers supplied. Fasten the rotation element (02) to the fastening support (01) and to the camera support (03) using the seven M5 screws and the washers supplied. Once the final position of the product is defined, fully tighten the M5 screws.

⚠ Pay attention to the fixing. Tightening torque: 4.5Nm (±0.5Nm).

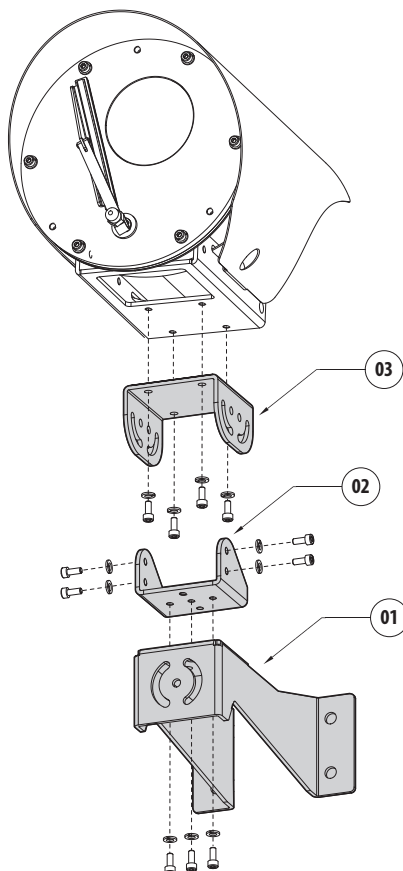


Fig. 8 Wall mounting.

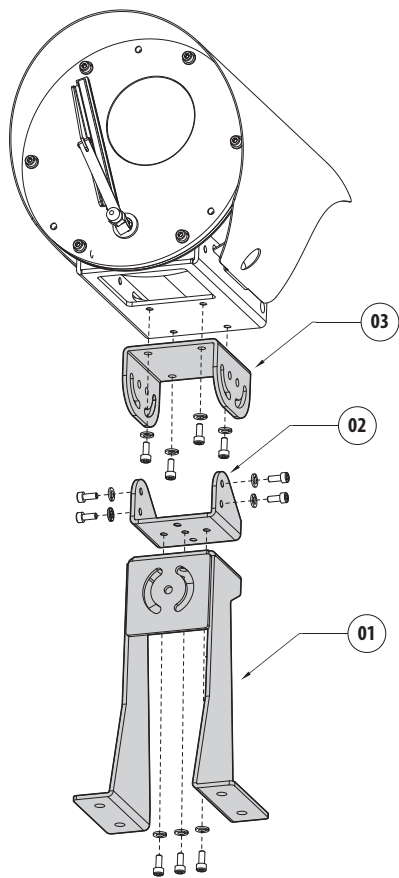


Fig. 9 Parapet mounting.

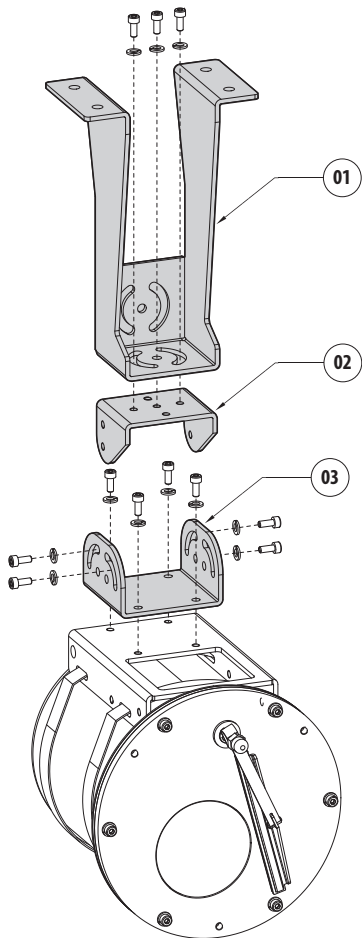


Fig. 10 Ceiling mounting.

i In ceiling installation, the sunshield should be dismantled.

7.4.2 Installation options

The product can be installed in the positions illustrated below.

The vertical inclination range of the camera is from -90° to 0° .

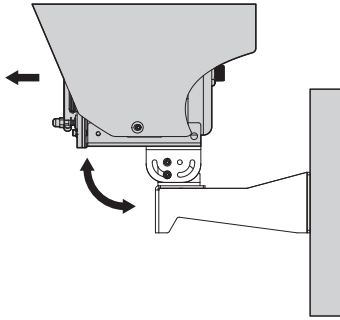


Fig. 11 Example of wall installation, vertical rotation, 0° .

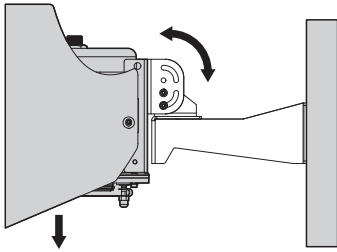


Fig. 12 Example of wall installation, vertical rotation, -90° .

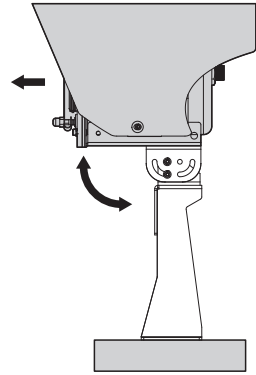


Fig. 13 Example of railing installation, vertical rotation, 0° .

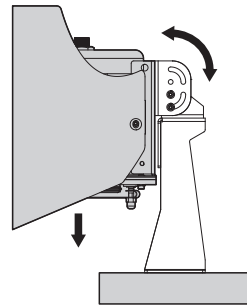


Fig. 14 Example of railing installation, vertical rotation, -90° .



The sunshield must be removed in the ceiling installation option.

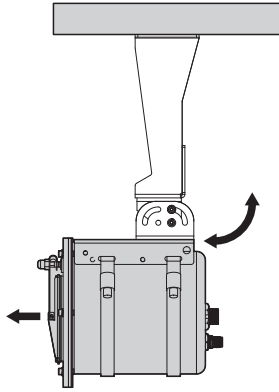


Fig. 15 Example of ceiling installation, vertical rotation, 0°.

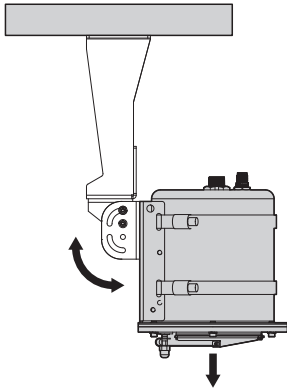


Fig. 16 Example of ceiling installation, vertical rotation, -90°.

The product can be anchored with a chain or a metal wire to prevent the camera falling in the event the support fails. For this reason, the hole can be used as shown in the figure (Fig. 17, page 17).

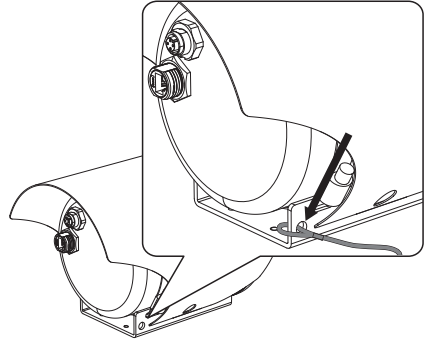


Fig. 17

8 Installation



CAUTION! The electrical system to which the unit is connected must be equipped with a 10A max automatic bipolar circuit breaker. The minimum distance between the circuit breaker contacts must be 3mm (0.1 in). The circuit breaker must be provided with protection against the fault current towards the ground (differential) and the overcurrent (magnetothermal).



Electrical connections must be performed with the power supply disconnected and the circuit-breaker open.



A power disconnect device must be included in the electrical installation, and it must be very quickly recognizable and operated if needed.



All disconnected wires must be electrically isolated.



VIDEOTEC strongly recommend to test the device configuration and performance before putting it in the final installation site.

8.1 Functional ground



If the unit is powered using an Ethernet (PoE+) line, connection should take place with a functional ground external cable, towards the system ground.



Use cables with the characteristics outlined below.

- **Nominal section of the cables used:**
2.5mm² (14AWG) min.

Installation of the functional ground cable as illustrated in the figure.

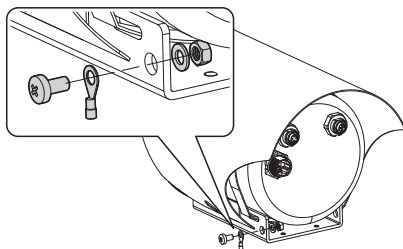


Fig. 18

8.2 Quick connectors cabling

The product is equipped with quick connectors to facilitate installation.

The back of the product has fixed connectors. You must cable the connectors on the cable side (mobile connectors).

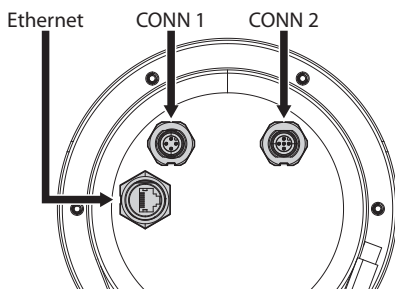


Fig. 19 Rear view of the camera. Camera side connectors.

Once installation is complete, insert the mobile connectors in the corresponding fixed connectors on the back of the product.

If the mobile connectors are not used, fasten the cap supplied on the back of the product.

8.2.1 Mobile connectors cabling (power supply, I/O)

! Power the device using a 24Vac or 24Vdc power supply.

! Power the device using the Ethernet line (models without video analytics board) using PSE (Power Sourcing Equipment) in compliance with IEEE 802.3at (PoE+).

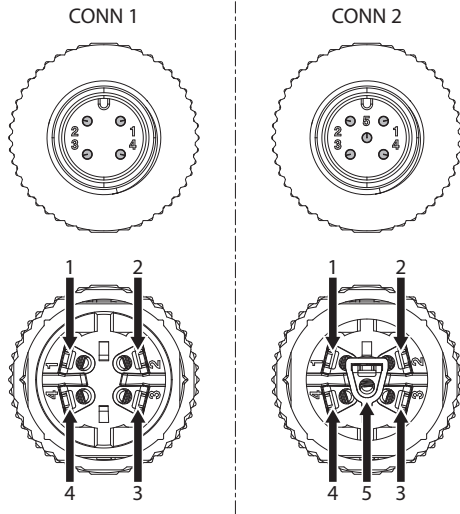


Fig. 20 Front view of the pins and internal view of the terminals.

CONN 1 (4-POLE CONNECTOR)	
Pin number	Function
1	Washer pump relay
2	Washer pump relay
3	Auxiliary relay (configurable relay)
4	Auxiliary relay (configurable relay)

Tab. 3

CONN 2 (5-POLE CONNECTOR)	
Pin number	Function
1	Power supply 24Vac/24Vdc
2	
3	Not used
4	Factory Default*
5	

Tab. 4 *Factory Default can be performed in the NVX versions of the product equipped with wiper and all the NTX versions.

i Polarity of the voltage applied to pins 1 and 2 of the connector 2 is irrelevant.

i Earthing is not planned since the product does not require it when powered in 24Vac or 24Vdc.

i Use cables with the characteristics outlined below.

- Section: from 0.14mm² (26AWG) up to 0.75mm² (18AWG).
- Overall diameter of the cable: from 4mm (0.16in) up to 8mm (0.3in).
- Length (power supply cables): The section of the conductors influences the maximum permitted length for the cables. The maximum length of the cables based on the section of the conductors is outlined in the following table.

MAXIMUM CABLE LENGTH		
Section	Without board for video analysis	With board for video analysis
0.34mm ² (22AWG)	20m (66ft)	15m (49.2ft)
0.5mm ² (20AWG)	30m (98ft)	25m (82ft)
0.75mm ² (18AWG)	50m (164ft)	40m (131ft)

Tab. 5

Cable the mobile connector by operating as follows. Unsheathe the cable up to a maximum of 18mm. Peel the conductors up to a maximum of 5mm. Insert the cable using the sealing nut (01), the gasket (02) and the body of the connector (03).

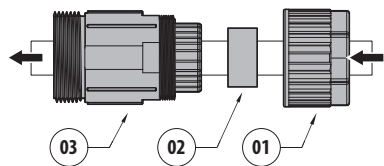


Fig. 21

Loosen the screws on the terminals (04) on the front of the connector, insert the conductors and fasten them tightening the screws. Screw in the body of the connector (03) to the front with the terminals (05), tightening the ring nut (06).



Pay attention to the fixing. Tightening torque: from 0.29Nm up to 0.39Nm.

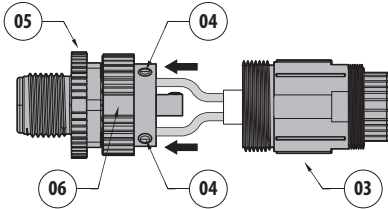


Fig. 22

Insert the gasket (02) inside the compartment of the body of the connector (03). Lastly, fasten the sealing nut (01).

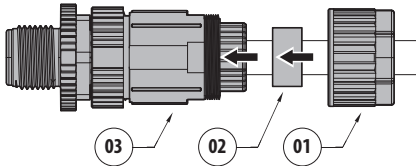


Fig. 23



Pay attention to the fixing. Tightening torque: from 0.39Nm up to 0.59Nm.

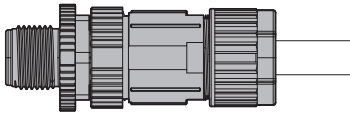


Fig. 24 Complete assembly.

Before fastening the mobile connectors to the relevant connectors on the back of the camera, ensure the TAPS correspond.

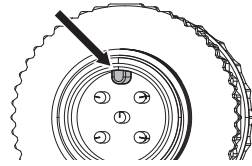


Fig. 25

Connect the mobile connector on the fixed connector and tighten the ring nut.

8.2.2 Relays connection



The relay can be used with the specifications outlined below.

- **Working voltage: up to 30Vac or 60Vdc.**
- **Current: 1A max.**



Use cables with the characteristics outlined below.

- **Section: from 0.14mm² (26AWG) up to 0.75mm² (18AWG).**

The relay contacts are situated on the relevant quick connector. The relays have no polarity (Tab. 3, page 19).

8.2.3 Mobile connectors cabling (Ethernet, PoE+)

! If the device is not equipped with a video analytics board, it can be powered with PSE (Power Sourcing Equipment) in compliance with IEEE 802.3at (PoE+).

i Use Ethernet cables with the characteristics outlined below.

- Diameter: from 5mm (0.2in) up to 6mm (0.24in).
- Shielding: SF/UTP.
- Category: 5e.
- Length: 100m (328ft) max (PoE+).

Cable the mobile connector by operating as follows. Insert the Ethernet cable using the sealing nut (01), the cage (02), the gasket (03) and the body of the connector (04).

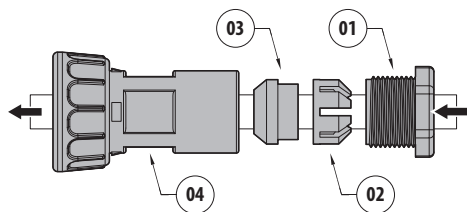


Fig. 26

Crimp the shielded RJ45 connector supplied.

! Connect the sleeve to the shielded RJ45 connector.

Carry out the connections as described in the table (according to the standard specifications: TIA/EIA-568-B).

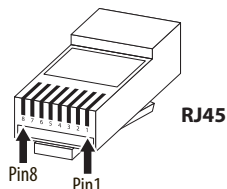


Fig. 27

CONNECTION OF THE ETHERNET CABLE	
Pin number	Cable colour
1	Orange-White
2	Orange
3	Green-White
4	Blue
5	Blue-White
6	Green
7	Brown-White
8	Brown

Tab. 6

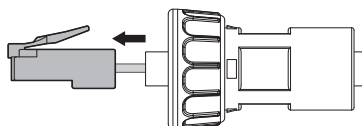


Fig. 28

Delicately pull the Ethernet cable (05) until the RJ45 connector (06) is completely inserted in the compartment of the mobile connector body.

After inserting the cage and the gasket, tighten the sealing nut (07).

⚠ Pay attention to the fixing. Tightening torque: From 0.9Nm up to 1Nm.

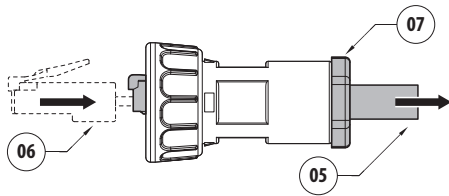


Fig. 29

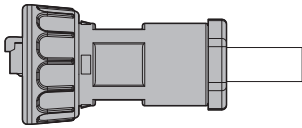


Fig. 30 Complete assembly.

Connect the mobile connector on the fixed connector and tighten the ring nut.

8.2.4 Connection of the Ethernet cable

i The Ethernet cable shield on the operator side must always be earthed. Use a shielded RJ45 connector. Connect the sleeve to the shielded RJ45 connector.

The product can be directly connected to an Ethernet switch.

The example below shows a typical installation.

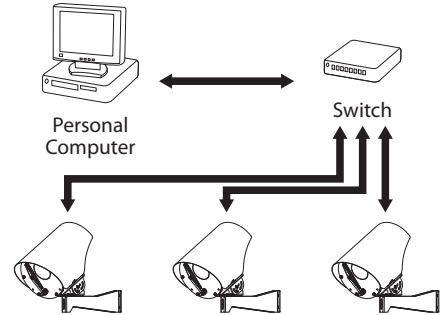


Fig. 31

9 Switching on

⚠ Make sure that the unit and other components of the installation are closed so that it is impossible to come into contact with live parts.

⚠ Make sure that all parts are fastened down firmly and safely.

i The automatic pre-heating (De-Ice) process could be started whenever the device is switched on and the ambient temperature is below -10°C ($+14^{\circ}\text{F}$). The procedure is necessary to guarantee correct operation of the devices even at low temperatures. Pre-heating procedure length: 60 minutes.

The unit is switched on by connecting the power supply.

To switch off the unit disconnect the power.

10 Configuration

10.1 Default IP address

i The unit is configured to obtain an IP address from a DHCP server.

The IP address acquired via DHCP is visible in the DHCP server log file.

If the DHCP server is not available, the unit automatically configures itself with a self-generated IP address in the 169.254.x.x/16 subnet. Configuring the IP address of the PC as belonging to the same subnet (example: IP address: 169.254.1.1, subnet mask: 255.255.0.0).

Use an ONVIF compliant VMS or a network sniffer to find the IP address of the device (IP scan utility).

10.2 Web interface

i Browsers supported (the latest version): Microsoft Edge, Google Chrome, Mozilla Firefox.

10.2.1 First access to the web pages

The first operation in configuring the device consists in connecting to the web interface.

To access the web interface of the product, simply use a browser to connect to `http://ip_address`.

On first access, the Home page will be displayed.

i For the configuration of the web interface, please refer to the instruction manual relating to the installed firmware version, available on the product web page on www.videotec.com.

11 Accessories and Supports

i For further details on configuration and use, refer to the relative manual.

11.1 Washer

The product, if equipped with a wiper, can be equipped with an external pump that provides water to clean the glass.

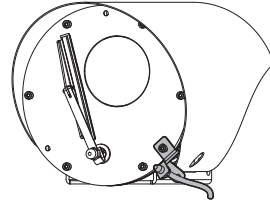


Fig. 32

To complete installation of the washing system, use the kit supplied with the camera.

Insert the head of the nozzle (01) on the support (02) by tightening the nut (03).

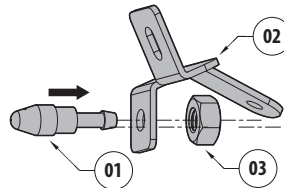


Fig. 33

Fasten the nozzle and the support assembled by using one of the accessory holes (01) on the front of the housing. Tighten the screw and the washer (02). Insert the delivery pipe of the nozzle (03). Secure the delivery pipe to the support with a clip (04).

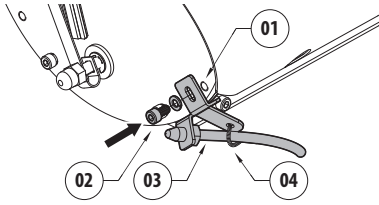


Fig. 34

11.2 Mounting bracket for LED illuminator

A mounting bracket is necessary to install the GEKO IRH VIDEOTECH LED illuminator.

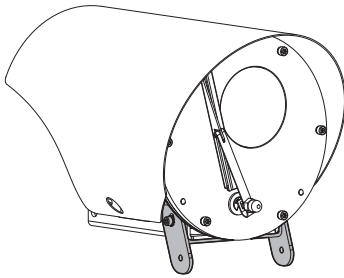


Fig. 35 NVXIRBKT.

11.3 LED illuminator

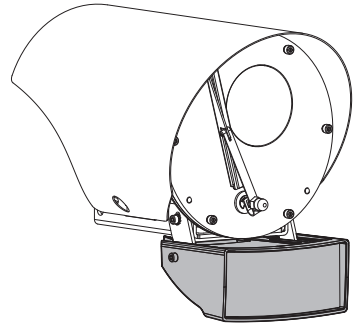


Fig. 36 GEKO IRH.

11.4 Corner mount adaptor

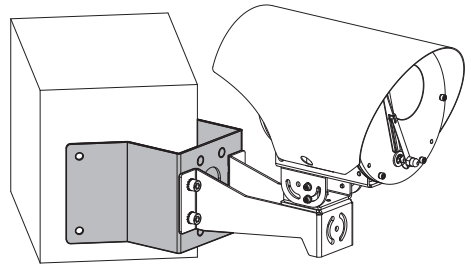


Fig. 37 UEAC.

11.5 Pole mount adaptor

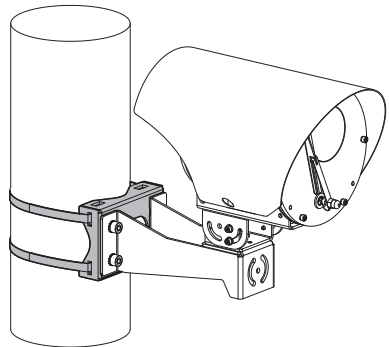


Fig. 38 UEAP.

11.6 Counter-plate

The counter-plate can be used for wall or ceiling assembly, even for channel applications. The four holes with bigger centre to centre distance give higher mechanical strength.

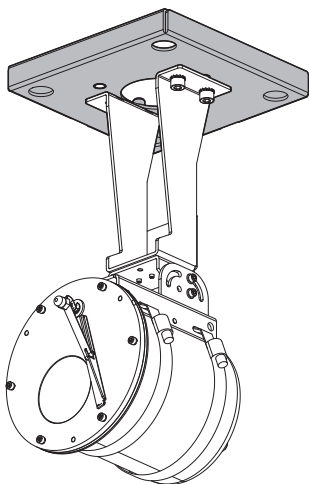


Fig. 39 UEAU.

11.7 Dust protection frontal shield

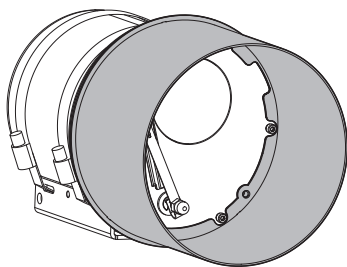


Fig. 40 NVXTUB.

12 Maintenance

⚠ Before doing any technical work on the device, disconnect the power supply.

⚠ CAUTION! Device installation and maintaining must be performed by specialist technical staff only.

12.1 Sunshield removal

The product is supplied with the sunshield already installed.

For installation or maintenance needs, the sunshield can be dismantled. Unscrew the sunshield screws and remove it.

Re-assemble the sunshield before fastening the camera to the camera support.

⚠ Pay attention to the fixing. Tightening torque: 4Nm (± 0.5 Nm).

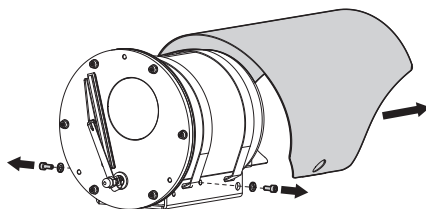


Fig. 41

12.2 Opening and closing the camera

To carry out some maintenance operations, the camera must be opened.



Carefully remove the front slide. Pay attention not to damage the internal connection cables.

Unscrew the closure screws and remove the slide connected to the front of the camera.

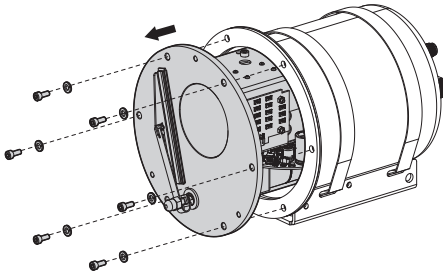


Fig. 42

To close the camera, follow the inverse procedure.



Pay attention to the fixing. Tightening torque: 4.5Nm (± 0.5 Nm).

12.3 Camera board description

BOARD DESCRIPTION	
Connector/ Terminal	Function
F1	Fuse
SW1	Reset dip-switch

Tab. 7

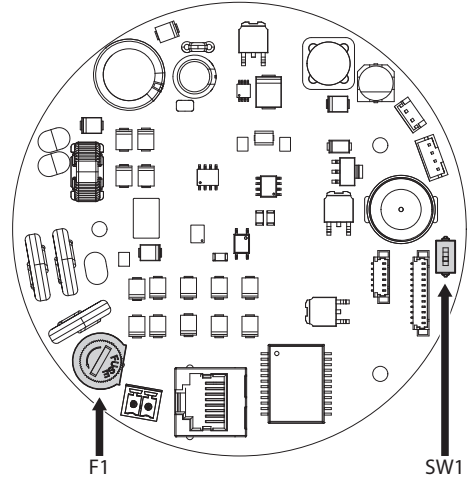


Fig. 43

12.4 Fuse replacement

CAUTION! For continued protection against risk of fire, replace only with same type and rating of fuse. Fuses must be replaced only by service personnel.

If necessary, the connector board's fuse can be replaced. The new fuse must comply with the directions given in the table.

FUSES REPLACEMENT	
Voltage	Fuse F1
24Vac, 50/60Hz	T 2A H 250V 5x20
24Vdc	

Tab. 8

As an alternative, use approved fuses featuring the same characteristics.

To replace the fuse, open the camera. (12.2 Opening and closing the camera, page 26).

Identify the fuse to replace.

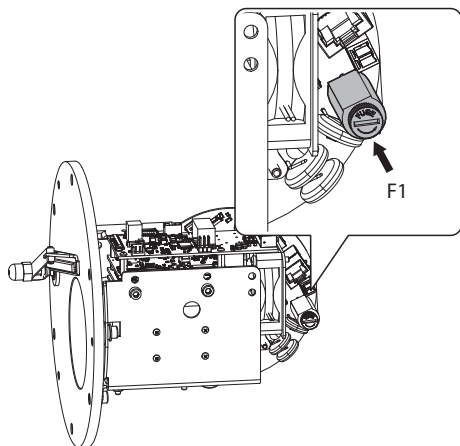


Fig. 44

12.5 Factory Default

i Once the factory default procedure has terminated, you need to configure the unit as described in the relevant chapter (10.1 Default IP address, page 23).

12.5.1 Factory Default, NVX (version with wiper), NTX

- Disconnect the power supply to the unit.
- Short circuit terminals 4 and 5 of CONN 2 (or the relevant conductors, Tab. 4, page 19).
- Power the unit. Wait for 2 minutes.
- Disconnect the power supply to the unit.
- Remove the short circuit.
- Power the unit.

12.5.2 Factory Default, NVX (version without wiper)


It is possible to reset to the factory default settings. Follow the procedure below:

- Disconnect the power supply to the unit.
- Open the camera (12.2 Opening and closing the camera, page 26).
- Identify the reset dip switch (SW1, 12.3 Camera board description, page 26).
- Set the reset dip switch to ON.
- Power the unit. Wait for 2 minutes.
- Disconnect the power supply to the unit.
- Set the reset dip switch to OFF.
- Re-insert the slide and close the camera. Be especially careful not to damage internal cables during closure.
- Power the unit.

13 Cleaning


 Frequency will depend on the type of environment in which the product is used.


13.1 Cleaning the window

 **Avoid ethyl alcohol, solvents, hydrogenated hydrocarbide, strong acid and alkali. Such products may irreparably damage the surface.**

We recommend using a soft cloth with neutral soap diluted with water or specific products to clean the glasses lenses.

13.2 Cleaning the germanium window

 **Avoid ethyl alcohol, solvents, hydrogenated hydrocarbide, strong acid and alkali. Such products may irreparably damage the surface.**

 **Cleaning the window take care not to scratch or damage the outer surface treated with carbon coating. Damage to this coating could also interfere with the transparency of the surface to infrared light.**

Cleaning should be done with mild soap diluted with water.

14 Information on disposal and recycling

The European Directive 2012/19/EU on Waste Electrical and Electronic Equipment (WEEE) mandates that these devices should not be disposed of in the normal flow of municipal solid waste, but they should be collected separately in order to optimize the recovery stream and recycling of the materials that they contain and to reduce the impact on human health and the environment due to the presence of potentially hazardous substances.



The symbol of the crossed out bin is marked on all products to remember this.

The waste may be delivered to appropriate collection centers, or may be delivered free of charge to the distributor where you purchased the equipment at the time of purchase of a new equivalent or without obligation to a new purchase for equipment with size smaller than 25cm (9.8in).

For more information on proper disposal of these devices, you can contact the responsible public service.

15 Technical data

15.1 NVX

15.1.1 General

Simple installation thanks to quick connectors

Quick configuration and setup

15.1.2 Mechanical

AISI 316L stainless steel construction

Slot for safety chain

Unit weight:

- 4.9kg (10.8lb) (fastening support included)
- 4kg (8.8lb) (fastening support not included)

15.1.3 Windows for camera

Glass window extra clear

- Thick: 3mm (0.1in)

Polycarbonate window (available only for version without wiper)

- Thick: 3mm (0.1in)

15.1.4 Electrical

Supply voltage/Current consumption:

- 24Vac, 1.32A, 50/60Hz
- 24Vdc, 0.9A
- PoE+ (IEEE 802.3at), not available for the version with VIDEOTEC Analytics

Power consumption

- Versions without VIDEOTEC Analytics: 21W
- Versions with VIDEOTEC Analytics: 25.2W

15.1.5 Network

Ethernet connection: 100 Base-TX

Connector: RJ45

15.1.6 Video

Video encoder

- Communication protocol: ONVIF, Profile Q, Profile S and Profile T
- Device configuration: TCP/IPv4-IPv6, UDP/IPv4-IPv6, HTTP, HTTPS, NTP, DHCP, WS-DISCOVERY, DSCP, IGMP (Multicast), SOAP, DNS
- Streaming: RTSP, RTCP, RTP/IPv4-IPv6, HTTP, Multicast
- Video compression: H.264/AVC, MJPEG, JPEG, MPEG4
- 3 independent video streams Full HD
- Image resolution: from 320x180pixel up to 1920x1080pixel in 6 steps
- Selectable frame rate from 1 to 60 images per second (fps)
- Web Server
- Motion Detection
- Video analytics: VIDEOTEC ANALYTICS (optional)
- QoS: Differentiated DSCPs for streaming and device management
- SNMP and NTCIP protocols

15.1.7 I/O interface

I/O alarm board (version with wiper)

- Input for remote reset: 1
- Relay outputs: 1+1 (1 relay reserved for washer pump and one configurable, 1A, 30Vac/60Vdc max)

15.1.8 Cameras

Day/Night Full HD 30x DELUX

Resolution: Full HD 1080p (1920x1080)

Image Sensor: 1/2.8" Exmor™ R CMOS sensor

Effective Pixels: approx. 2.38 Megapixels

Minimum Illumination:

- Colour: 0.006lx (F1.6, 30 IRE)
- B/W: 0.0006lx (F1.6, 30 IRE)

Focal length: from 4.5mm (wide) up to 135mm (tele)

Zoom: 30x (480x with digital zoom)

Iris: from F1.6 up to F9.6 (Auto, Manual)

Horizontal Viewing Angle: from 61.60° (wide end) up to 2.50° (tele end)

Vertical Viewing Angle: from 37.07° (wide end) up to 1.44° (tele end)

Shutter speed: from 1/1s up to 1/10000s (Auto, Manual)

White balance: Auto, Manual

Gain: from 0dB up to 100dB (Auto, Manual)

Wide Dynamic Range: 120dB

Focus System: Auto, Manual, Trigger

Picture Effects: E-flip, Colour enhancement

Noise removal: 2D (3 levels), 3D (3 levels)

Exposure Control: Auto, Manual, Priority (Iris Priority, Shutter Priority), Brightness, Custom

De-fog: On/Off

Privacy zones masking: maximum 8 settable masks

Indoor Flicker Reduction

Auto Slowshutter: Off, On (from 1/30s up to 1/1s)

Exposure compensation: Off, On (from level 0 up to level 14)

Sharpness: from level 0 up to level 3

SONY FCB-EV7520 Day/Night Full HD 30x

Resolution: Full HD 1080p (1920x1080)

Image Sensor: 1/2.8" Exmor™ R CMOS sensor

Effective Pixels: approx. 2.13 Megapixels

Minimum Illumination:

- Colour: 0.0013lx (50 IRE, High sensitivity on)
- B/W: 0.0008lx (30 IRE, High sensitivity on)

Focal length: from 4.3mm (wide) up to 129mm (tele)

Zoom: 30x (360x with digital zoom)

Iris: from F1.6 up to F14 (Auto, Manual)

Horizontal Viewing Angle: from 63.7° (wide end) up to 2.3° (tele end)

Vertical Viewing Angle: from 38.5° (wide end) up to 1.3° (tele end)

Shutter speed: from 1/1s up to 1/10000s (Auto, Manual)

White balance: Auto, Auto Tracing, Indoor, Outdoor, Manual, Outdoor Auto, Sodium Lamp (Fix/Auto/Outdoor Auto)

Gain: from 0dB up to 50.0dB (Auto, Manual)

Wide Dynamic Range: 120dB

Focus System: Auto (PTZ Trigger, Full Auto), Manual

Picture Effects: E-flip

Noise removal (2D, 3D): Off, On (from level 1 up to level 5)

Exposure Control: Auto, Manual, Priority (Shutter priority, Iris priority, Brightness priority)

De-fog: Off, Low, Mid, High

Privacy zones masking (maximum 8 settable masks)

Indoor Flicker Reduction

Gain Limit: from 10.7dB up to 50dB

High sensitivity: On/Off

Backlight Compensation: On/Off

Auto Slowshutter: On/Off

Exposure compensation: Off, On (from -10.5dB up to +10.5dB)

Sharpness: from level 0 up to level 15

High Light Compensation (HLC): Off, Low, Mid, High, Masking Level (Off, On, from level 1 up to level 15)

Digital image stabilization: On/Off

15.1.9 Environment

For indoors and outdoors installation

Operating temperature

- Version with 24Vac or 24Vdc power supply: from -40°C (-40°F) up to +65°C (149°F) (up to +50°C (122°F), for versions with VIDEOTEC ANALYTICS)
- Version with PoE+ power supply: from -40°C (-40°F) up to +60°C (140°F)
- Temperature test complies with NEMA-TS 2-2003 (R2008) par. 2.1.5.1, test profile fig. 2-1 (from -34°C (-29.2°F) to +74°C (165.2°F)) (not valid for versions with VIDEOTEC Analytics)

Surge immunity: up to 1kV line to line, up to 2kV line to earth (Class 3)

Relative humidity: from 5% up to 95%

15.1.10 Certifications

Electrical safety (CE): EN60950-1, IEC60950-1, EN62368-1, IEC62368-1

Electromagnetic compatibility (CE): EN61000-6-4, EN50130-4, EN55032 (Class A), FCC Part 15 (Class A), ICES003

Outdoor installation (CE): EN60950-22, IEC60950-22

IP protection degree (EN60529): IP66, IP67, IP68 (2h30 min, 2m (6.56ft)), IP69

UL certification (not valid for versions with VIDEOTEC Analytics): cULus Listed, TYPE 4X, TYPE 6P

EAC certification

KC certification (certification only valid for the codes: NVX2xxxxxJ)

15.1.11 Certifications - Railway applications

The versions with VIDEOTEC ANALYTICS are not certified for railway applications

Compliance to railway application standard: EN50121-4 (only with 24Vac or 24Vdc power supply)

15.1.12 Certifications - Marine applications

The versions with VIDEOTEC ANALYTICS are not certified for marine applications

Lloyd's Register Marine Type Approval

- Test Specification Number 1 (ENV1, ENV2, ENV3, ENV5)

Electromagnetic compatibility: EN60945

Salty fog resistance: EN60068-2-52

Tested at 70°C (158°F) for 16 hours in compliance with EN60068-2-2

15.2 NTX

15.2.1 General

Simple installation thanks to quick connectors

Quick configuration and setup

15.2.2 Mechanical

AISI 316L stainless steel construction

Slot for safety chain

Unit weight:

- 4.9kg (10.8lb) (fastening support included)
- 4kg (8.8lb) (fastening support not included)

15.2.3 Windows for camera

Germanium window

- Thick: 1.5mm (0.06in)
- External treatment: antiscratch (Hard Carbon Coating - DLC), antireflection
- Internal treatment: antireflection
- Spectral range: from 7.5µm up to 14µm
- Medium transmittance (from 7.5µm up to 11.5µm): 91.2%
- Medium transmittance (from 11.5µm up to 14µm): 80.9%

15.2.4 Electrical

Supply voltage/Current consumption:

- 24Vac, 1.32A, 50/60Hz
- 24Vdc, 0.9A
- PoE+ (IEEE 802.3at)

Power consumption: 21W

15.2.5 Network

Ethernet connection: 100 Base-TX

Connector: RJ45

15.2.6 Video

Video encoder

- Communication protocol: ONVIF, Profile Q, Profile S and Profile T, ONVIF Thermal Service
- Device configuration: TCP/IPv4-IPv6, UDP/IPv4-IPv6, HTTP, HTTPS, NTP, DHCP, WSDISCOVERY, DSCP, IGMP (Multicast), SOAP, DNS
- Streaming: RTSP, RTCP, RTP/IPv4-IPv6, HTTP, Multicast
- Video compression: H.264/AVC, MJPEG, JPEG, MPEG4
- 3 independent video streams
- Image resolution: from 320x180pixel up to 720x480pixel in 4 steps
- Selectable frame rate from 1 to 30 images per second (fps)
- Web Server
- Motion Detection
- QoS: Differentiated DSCPs for streaming and device management
- SNMP and NTCIP protocols

15.2.7 I/O interface

I/O alarm board

- Input for remote reset: 1
- Relay output: 1 (1A, 30Vac/60Vdc max)

15.2.8 Cameras

THERMAL CAMERAS (RESOLUTION 336X256)					
	Lens 9mm	Lens 13mm	Lens 19mm	Lens 25mm	Lens 35mm
Image Sensor	Uncooled VOx micro-bolometer	Uncooled VOx micro-bolometer	Uncooled VOx micro-bolometer	Uncooled VOx micro-bolometer	Uncooled VOx micro-bolometer
Interpolated resolution	720x480	720x480	720x480	720x480	720x480
Pixel dimensions	17µm	17µm	17µm	17µm	17µm
Spectral response - long wave infrared (LWIR)	from 7.5µm to 13.5µm	from 7.5µm to 13.5µm	from 7.5µm to 13.5µm	from 7.5µm to 13.5µm	from 7.5µm to 13.5µm
Internal shutter (only for sensor compensation)	Video stop < 1s	Video stop < 1s	Video stop < 1s	Video stop < 1s	Video stop < 1s
Digital Detail Enhancement (DDE)	✓	✓	✓	✓	✓
Digital Zoom	2x, 4x	2x, 4x	2x, 4x	2x, 4x	2x, 4x
Image updating frequency	7.5fps	7.5fps	7.5fps	7.5fps	7.5fps
Image updating high frequency	30fps	30fps	30fps	30fps	30fps
Scene range (High Gain)	-40°C ÷ +160°C (-40°F ÷ +320°F)	-40°C ÷ +160°C (-40°F ÷ +320°F)	-40°C ÷ +160°C (-40°F ÷ +320°F)	-40°C ÷ +160°C (-40°F ÷ +320°F)	-40°C ÷ +160°C (-40°F ÷ +320°F)
Scene range (Low Gain)	-40°C ÷ +550°C (-40°F ÷ +1022°F)	-40°C ÷ +550°C (-40°F ÷ +1022°F)	-40°C ÷ +550°C (-40°F ÷ +1022°F)	-40°C ÷ +550°C (-40°F ÷ +1022°F)	-40°C ÷ +550°C (-40°F ÷ +1022°F)
Horizontal field of view	35°	25°	17°	13°	9,3°
Vertical field of view	27°	19°	13°	10°	7,1°
F-number	F/1.25	F/1.25	F/1.25	F/1.1	F/1.2
Thermal sensitivity (NETD), Thermal camera with radiometric functions	< 50mK at f/1.0	< 50mK at f/1.0	< 50mK at f/1.0	< 50mK at f/1.0	< 50mK at f/1.0
Thermal sensitivity (NETD), Thermal camera with advanced radiometric functions	< 30mK at f/1.0	< 30mK at f/1.0	< 30mK at f/1.0	< 30mK at f/1.0	< 30mK at f/1.0
Person (detection / recognition / identification)	285m / 71m / 36m (935ft / 233ft / 118ft)	440m / 112m / 56m (1443ft / 2368ft / 183ft)	640m / 160m / 80m (2099ft / 524ft / 262ft)	930m / 230m / 116m (3051ft / 754ft / 380ft)	1280m / 320m / 160m (4199ft / 1050ft / 525ft)
Car (detection / recognition / identification)	880m / 220m / 108m (2887ft / 722ft / 354ft)	1340m / 340m / 170m (4396ft / 1115ft / 557ft)	1950m / 500m / 250m (6397ft / 1640ft / 820ft)	2800m / 710m / 360m (9186ft / 2329ft / 1181ft)	3850m / 950m / 295m (12631ft / 3116ft / 967ft)

Radiometric analysis does not affect camera performance.

THERMAL CAMERAS (RESOLUTION 640X512)					
	Lens 9mm	Lens 13mm	Lens 19mm	Lens 25mm	Lens 35mm
Image Sensor	Uncooled VOx micro-bolometer	Uncooled VOx micro-bolometer	Uncooled VOx micro-bolometer	Uncooled VOx micro-bolometer	Uncooled VOx micro-bolometer
Interpolated resolution	720x480	720x480	720x480	720x480	720x480
Pixel dimensions	17µm	17µm	17µm	17µm	17µm
Spectral response - long wave infrared (LWIR)	from 7.5µm to 13.5µm	from 7.5µm to 13.5µm	from 7.5µm to 13.5µm	from 7.5µm to 13.5µm	from 7.5µm to 13.5µm
Internal shutter (only for sensor compensation)	Video stop < 1s	Video stop < 1s	Video stop < 1s	Video stop < 1s	Video stop < 1s
Digital Detail Enhancement (DDE)	✓	✓	✓	✓	✓
Digital Zoom	2x, 4x, 8x	2x, 4x, 8x	2x, 4x, 8x	2x, 4x, 8x	2x, 4x, 8x
Image updating frequency	7.5fps	7.5fps	7.5fps	7.5fps	7.5fps
Image updating high frequency	30fps	30fps	30fps	30fps	30fps
Scene range (High Gain)	-40°C ÷ +160°C (-40°F ÷ +320°F)	-40°C ÷ +160°C (-40°F ÷ +320°F)	-40°C ÷ +160°C (-40°F ÷ +320°F)	-40°C ÷ +160°C (-40°F ÷ +320°F)	-40°C ÷ +160°C (-40°F ÷ +320°F)
Scene range (Low Gain)	-40°C ÷ +550°C (-40°F ÷ +1022°F)	-40°C ÷ +550°C (-40°F ÷ +1022°F)	-40°C ÷ +550°C (-40°F ÷ +1022°F)	-40°C ÷ +550°C (-40°F ÷ +1022°F)	-40°C ÷ +550°C (-40°F ÷ +1022°F)
Horizontal field of view	69°	45°	32°	25°	18°
Vertical field of view	56°	37°	26°	20°	14°
F-number	F/1.4	F/1.25	F/1.25	F/1.1	F/1.2
Thermal sensitivity (NETD), Thermal camera with radiometric functions	< 50mK at f/1.0	< 50mK at f/1.0	< 50mK at f/1.0	< 50mK at f/1.0	< 50mK at f/1.0
Thermal sensitivity (NETD), Thermal camera with advanced radiometric functions	< 30mK at f/1.0	< 30mK at f/1.0	< 30mK at f/1.0	< 30mK at f/1.0	< 30mK at f/1.0
Person (detection / recognition / identification)	250m / 63m / 31m (820ft / 207ft / 102ft)	390m / 95m / 47m (1280ft / 312ft / 154ft)	570m / 144m / 72m (1870 / 472 / 236ft)	820m / 210m / 104m (2690ft / 689ft / 341ft)	1140m / 280m / 142m (3740ft / 919ft / 466ft)
Car (detection / recognition / identification)	720m / 175m / 88m (2362 / 574 / 289ft)	1080m / 275m / 140m (3543ft / 902ft / 459ft)	1550m / 400m / 200m (5085ft / 1312ft / 656ft)	2200m / 580m / 290m (7218ft / 1903ft / 951ft)	3000m / 800m / 200m (9843ft / 2625ft / 656ft)

Radiometric analysis does not affect camera performance.

15.2.9 Environment

For indoors and outdoors installation

Operating temperature

- Version with 24Vac or 24Vdc power supply: from -40°C (-40°F) up to +65°C (149°F)
- Version with PoE+ power supply: from -40°C (-40°F) up to +60°C (140°F)
- Temperature test complies with NEMA-TS 2-2003 (R2008) par. 2.1.5.1, test profile fig. 2-1 (from -34°C (-29.2°F) to +74°C (165.2°F))

Surge immunity: up to 1kV line to line, up to 2kV line to earth (Class 3)

Relative humidity: from 5% up to 95%

15.2.10 Certifications

Electrical safety (CE): EN60950-1, IEC60950-1, EN62368-1, IEC62368-1

Electromagnetic compatibility (CE): EN61000-6-4, EN50130-4, EN55032 (Class A), FCC Part 15 (Class A), ICES003

Outdoor installation (CE): EN60950-22, IEC60950-22

IP protection degree (EN60529): IP66, IP67, IP68 (2h30 min, 2m (6.56ft)), IP69

UL certification: cULus Listed, TYPE 4X, TYPE 6P

EAC certification

15.2.11 Certifications - Railway applications

Compliance to railway application standard: EN50121-4 (only with 24Vac or 24Vdc power supply)

15.2.12 Certifications - Marine applications

Lloyd's Register Marine Type Approval

- Test Specification Number 1 (ENV1, ENV2, ENV3, ENV5)

Electromagnetic compatibility: EN60945

Salty fog resistance: EN60068-2-52

Tested at 70°C (158°F) for 16 hours in compliance with EN60068-2-2

16 Technical drawings



The indicated measurements are expressed in millimetres.

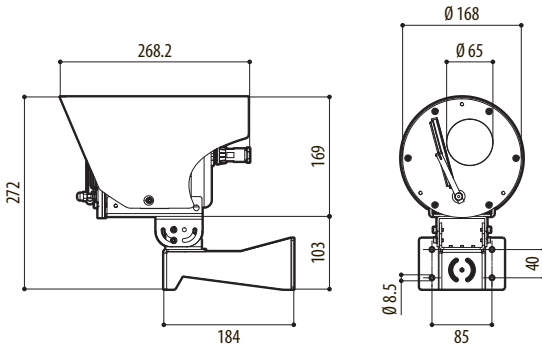


Fig. 45 NVX, wall mounting.

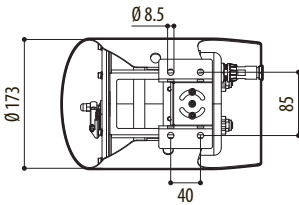
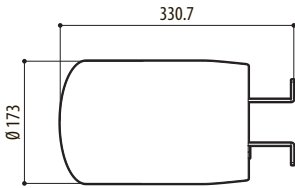
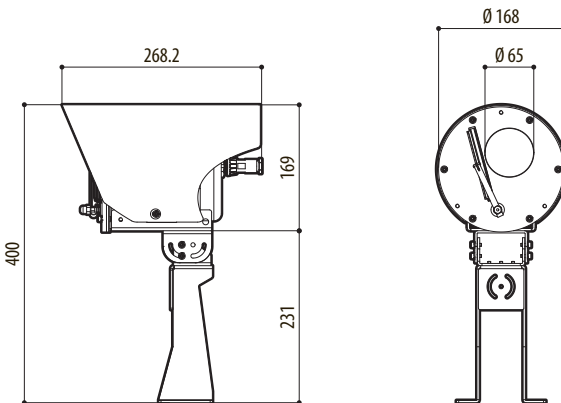


Fig. 46 NVX, parapet mounting.



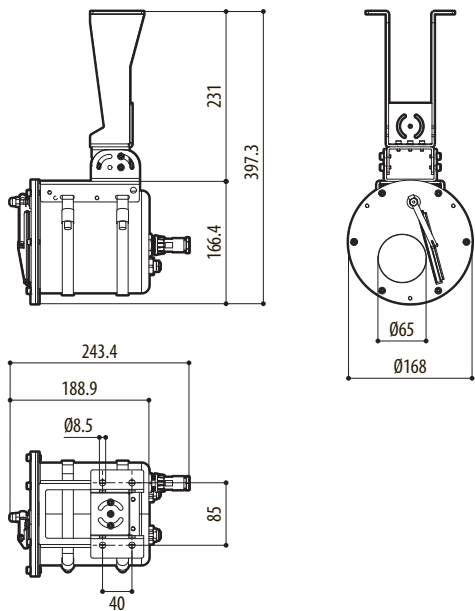


Fig. 47 NVX, ceiling mounting.

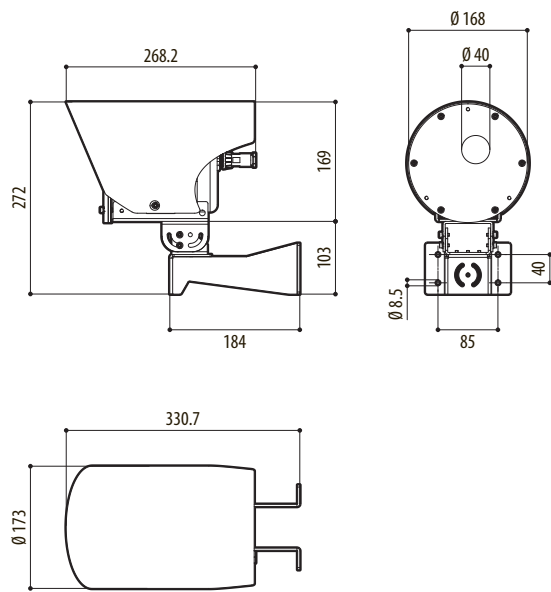


Fig. 48 NTX, wall mounting.

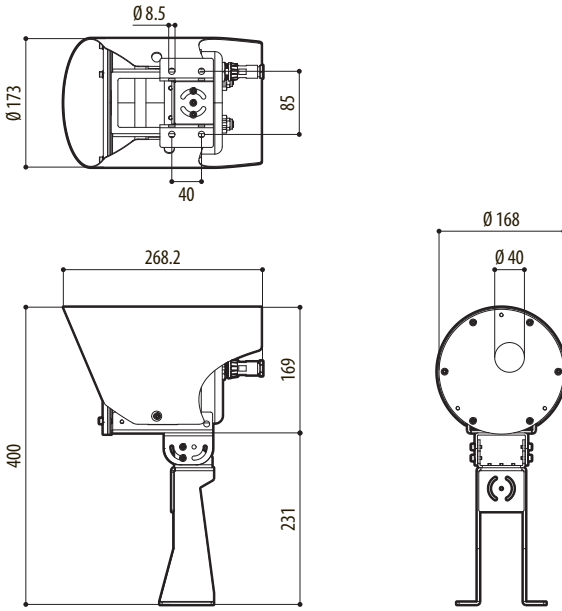


Fig. 49 NTX, parapet mounting.

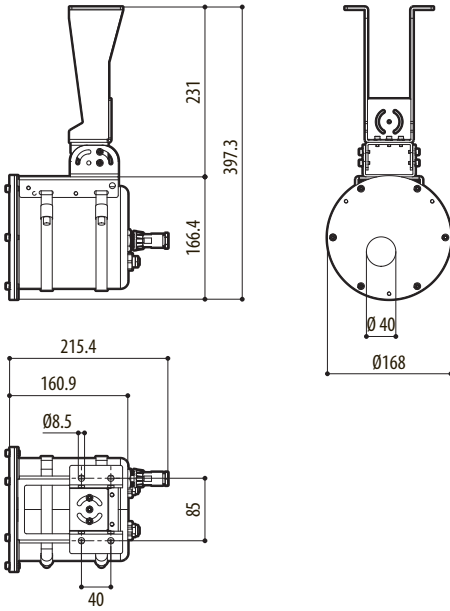


Fig. 50 NTX, ceiling mounting.



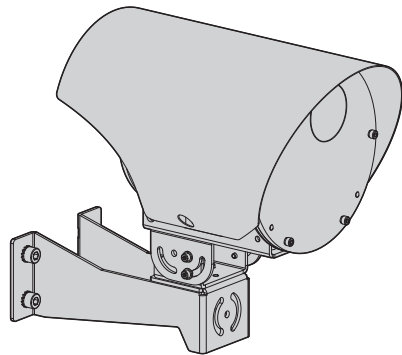
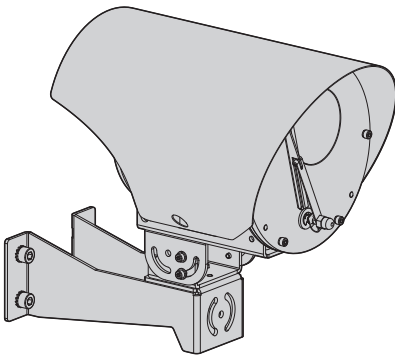
Headquarters Italy Videotec s.r.l.
Via Friuli, 6 - I-36015 Schio (VI) - Italy
Tel. +39 0445 697411 - Fax +39 0445 697414
Email: info@videotec.com
www.videotec.com

MNVCNVX_2222_EN



NVX NTX

Telecamera in acciaio inox



Sommario

1 Informazioni sul presente manuale	7
1.1 Convenzioni tipografiche	7
2 Note sul copyright e informazioni sui marchi commerciali.....	7
3 Nota sulla sicurezza dei dati	7
3.1 Introduzione.....	7
4 Norme di sicurezza	8
5 Identificazione	10
5.1 Descrizione e designazione del prodotto	10
5.1.1 NVX	10
5.1.2 NTX.....	10
5.2 Panoramica del prodotto.....	10
5.3 Marcatura del prodotto.....	11
5.3.1 Controllo della marcatura.....	11
6 Versioni.....	11
6.1 NVX.....	11
6.1.1 Versione con tergicristallo.....	11
6.1.2 Versione senza tergicristallo	11
6.1.3 Telecamera Day/Night.....	11
6.1.4 VIDEOTEC ANALYTICS	11
6.2 NTX	11
6.2.1 Finestra in germanio.....	11
6.3 Identificazione del modello.....	12
7 Preparazione del prodotto per l'utilizzo.....	13
7.1 Disimballaggio	13
7.2 Smaltimento in sicurezza dei materiali di imballaggio.....	13
7.3 Contenuto	13
7.4 Lavoro preparatorio prima dell'installazione	14
7.4.1 Fissaggio a parete, a parapetto o a soffitto	14
7.4.2 Opzioni di installazione	16
8 Installazione.....	18
8.1 Messa a terra funzionale	18
8.2 Cablaggio dei connettori rapidi.....	18
8.2.1 Cablaggio dei connettori volanti (alimentazione, I/O).....	19
8.2.2 Collegamento dei relè.....	20
8.2.3 Cablaggio del connettore volante (Ethernet, PoE+)	21
8.2.4 Collegamento del cavo di rete Ethernet.....	22
9 Accensione	22
10 Configurazione	23
10.1 Indirizzo IP di default.....	23
10.2 Interfaccia web	23
10.2.1 Primo accesso alle pagine web	23

11 Accessori e supporti	23
11.1 Impianto di lavaggio.....	23
11.2 Staffa di supporto per illuminatore a LED.....	24
11.3 Illuminatore a LED	24
11.4 Adattatore angolare.....	24
11.5 Collare da palo	24
11.6 Contropiastra.....	25
11.7 Tettuccio frontale di protezione dalla polvere.....	25
12 Manutenzione.....	25
12.1 Rimozione del tettuccio.....	25
12.2 Apertura e chiusura della telecamera	26
12.3 Descrizione della scheda della telecamera.....	26
12.4 Sostituzione del fusibile	27
12.5 Factory Default	27
12.5.1 Factory Default, NVX (versione con tergicristallo), NTX	27
12.5.2 Factory Default, NVX (versione senza tergicristallo).....	27
13 Pulizia	28
13.1 Pulizia della finestra	28
13.2 Pulizia della finestra in germanio	28
14 Informazioni sullo smaltimento e il riciclo	28
15 Dati tecnici	29
15.1 NVX.....	29
15.1.1 Generale	29
15.1.2 Meccanica	29
15.1.3 Finestre per telecamera	29
15.1.4 Elettrico	29
15.1.5 Rete.....	29
15.1.6 Video	29
15.1.7 Interfaccia I/O	29
15.1.8 Telecamere.....	30
15.1.9 Ambiente.....	31
15.1.10 Certificazioni.....	31
15.1.11 Certificazioni - Applicazioni ferroviarie	31
15.1.12 Certificazioni - Applicazioni marine	31
15.2 NTX.....	32
15.2.1 Generale	32
15.2.2 Meccanica	32
15.2.3 Finestre per telecamera	32
15.2.4 Elettrico.....	32
15.2.5 Rete.....	32
15.2.6 Video	32
15.2.7 Interfaccia I/O	32
15.2.8 Telecamere.....	33
15.2.9 Ambiente.....	35
15.2.10 Certificazioni.....	35
15.2.11 Certificazioni - Applicazioni ferroviarie.....	35

1 Informazioni sul presente manuale

Prima di installare e utilizzare questo prodotto, leggere attentamente tutta la documentazione fornita. Tenere il manuale a portata di mano per consultazioni successive.

1.1 Convenzioni tipografiche



PERICOLO!
Pericolosità elevata.
Rischio di scosse elettriche. Prima di eseguire qualsiasi operazione assicurarsi di togliere tensione al prodotto, salvo diversa indicazione.



PERICOLO!
Pericolo di natura meccanica.
Rischio di schiacciamento o cesoiamento.



PERICOLO!
Superficie calda.
Evitare il contatto. Le superfici sono calde e potrebbero causare danni alla persona in caso di contatto.



ATTENZIONE!
Pericolosità media.
L'operazione è molto importante per il corretto funzionamento del sistema. Si prega di leggere attentamente la procedura indicata e di eseguirla secondo le modalità previste.



INFO
Descrizione delle caratteristiche del sistema.
Si consiglia di leggere attentamente per comprendere le fasi successive.

2 Note sul copyright e informazioni sui marchi commerciali

I nomi di prodotto o di aziende citati sono marchi commerciali o marchi commerciali registrati appartenenti alle rispettive società.

Microsoft Edge®, Windows XP®, Windows Vista®, Windows 7®, Windows 8®, Windows 10® sono proprietà della Microsoft Corporation.

Google Chrome® è un marchio di proprietà di Google LLC.

Mozilla Firefox® è un marchio di proprietà di Mozilla Foundation.

INTEL® Core™ 2 Duo, INTEL® Core™ 2 Quad, INTEL® Xeon® sono di proprietà della Intel Corporation.

ONVIF® è un marchio di proprietà di Onvif, Inc.

3 Nota sulla sicurezza dei dati

3.1 Introduzione

VIDEOTEC s.r.l. produce prodotti per la videosorveglianza destinati esclusivamente ad un uso professionale. I prodotti VIDEOTEC s.r.l. possono essere utilizzati in contesti tecnici e per finalità molto diverse, dal controllo della sicurezza cittadina al monitoraggio di processi produttivi in aree a rischio ad applicazioni per il monitoraggio e la tutela ambientale.

Alcuni di questi utilizzi possono comportare il trattamento di dati personali da parte di chi utilizza un impianto di videosorveglianza all'interno del quale sono installati ed integrati i prodotti VIDEOTEC s.r.l..

L'eterogeneità degli scenari applicativi impedisce la definizione di misure di sicurezza informatica standard impostate di default nei prodotti che siano compatibili con qualsiasi scenario di utilizzo e contesto tecnico. In particolare, determinate misure di sicurezza (includere misure che costituiscono uno standard di settore in dispositivi destinati ad un uso non professionale) potrebbero essere incompatibili o non necessarie in particolari contesti tecnici o, al contrario, non essere sufficienti.

È quindi indispensabile che l'analisi dei rischi legati agli aspetti di sicurezza informatica, anche in relazione alle normative locali applicabili in materia di protezione dei dati personali, venga svolta da personale specializzato incaricato dall'utente finale del prodotto.

L'utente del prodotto quindi, avvalendosi di personale specializzato in materia di sicurezza informatica, dovrà decidere sotto la propria ed esclusiva responsabilità se:

- Attivare alcune o tutte le funzionalità di sicurezza offerte dal dispositivo di VIDEOTEC s.r.l.;
- Implementare misure di sicurezza diverse a livello di sistema;
- Combinare le due opzioni.

La scelta di cui sopra dovrà essere effettuata sulla base dello specifico contesto tecnico e normativo, nonché della tipologia di dati trattati attraverso il sistema di videosorveglianza.

Data la tipologia di contesti tecnici all'interno dei quali i dispositivi di VIDEOTEC s.r.l. vengono tipicamente utilizzati, non è possibile, né sarebbe comunque consigliabile, che il firmware di tali dispositivi si aggiorni automaticamente tramite Internet. VIDEOTEC s.r.l. nel corso del tempo potrà rilasciare aggiornamenti di sicurezza per i propri dispositivi, che dovranno essere installati manualmente dall'utente, sempre tramite personale specializzato, nel caso in cui vengano attivate alcune o tutte le funzionalità di sicurezza fornite dal dispositivo. È onere dell'utente tenersi aggiornato tramite i canali di comunicazione istituzionale di VIDEOTEC s.r.l. sulla disponibilità di aggiornamenti di sicurezza del firmware.

4 Norme di sicurezza



ATTENZIONE! L'impianto elettrico al quale è collegata l'unità deve essere dotato di un interruttore di protezione bipolare automatico da 10A max. Tale interruttore deve essere di tipo Listed. La distanza minima tra i contatti dell'interruttore di protezione deve essere di 3mm. L'interruttore deve essere provvisto di protezione contro la corrente di guasto verso terra (differenziale) e la sovracorrente (magnetotermico).



ATTENZIONE! L'installazione e la manutenzione del dispositivo devono essere eseguite solo da personale tecnico specializzato.



ATTENZIONE! L'installazione è di tipo TNV-1. Non collegare a circuiti SELV.



ATTENZIONE! Per assicurare la protezione contro il rischio di incendio, sostituire i fusibili con lo stesso tipo e valore. I fusibili devono essere sostituiti solo da personale qualificato.

- Il produttore declina ogni responsabilità per eventuali danni derivanti da un uso improprio delle apparecchiature menzionate in questo manuale. Si riserva inoltre il diritto di modificarne il contenuto senza preavviso. Ogni cura è stata posta nella raccolta e nella verifica della documentazione contenuta in questo manuale. Il produttore, tuttavia, non può assumersi alcuna responsabilità derivante dall'utilizzo della stessa. Lo stesso dicasi per ogni persona o società coinvolta nella creazione e nella produzione di questo manuale.
- Prima di eseguire qualsiasi operazione assicurarsi di togliere tensione al prodotto.
- Non utilizzare cavi con segni di usura o invecchiamento.

- Non effettuare per nessun motivo alterazioni o collegamenti non previsti in questo manuale. L'uso di apparecchi non idonei può portare a gravi pericoli per la sicurezza del personale e dell'impianto.
- Utilizzare solo parti di ricambio originali. Pezzi di ricambio non originali potrebbero causare incendi, scariche elettriche o altri pericoli.
- Prima di procedere con l'installazione, controllare che il materiale fornito corrisponda alle specifiche richieste esaminando le etichette di marcatura (5.3 Marcatura del prodotto, pagina 11).
- Dato che la responsabilità della scelta della superficie di ancoraggio dell'unità ricade sull'utente, il produttore non fornisce in dotazione i dispositivi di fissaggio per l'ancoraggio dell'unità alla superficie. L'installatore è responsabile della scelta di dispositivi idonei alla superficie a sua disposizione. Si raccomanda l'utilizzo di metodi e materiali in grado di sopportare un peso almeno 4 volte superiore a quello dell'apparecchio.
- Scegliere una superficie di installazione sufficientemente resistente e adatta a sostenere il peso dell'apparecchio, tenendo conto di condizioni ambientali particolari quali l'esposizione a venti forti.
- Questo dispositivo è stato progettato per essere fissato e collegato in maniera permanente su un edificio o su una struttura adeguata. Il dispositivo deve essere fissato e collegato in maniera permanente prima di effettuare qualsiasi operazione.
- Prima di fornire alimentazione assicurarsi che l'apparecchio sia saldamente ancorato.
- L'apparecchio è destinato all'installazione in un' Area ad Accesso Limitato effettuata da personale tecnico specializzato.
- Maneggiare con attenzione il prodotto per evitare contatti accidentali, spigoli e angoli taglienti.
- L'isolamento principale deve essere effettuato esternamente al prodotto tramite un trasformatore di sicurezza e/o un alimentatore a tensione continua isolato.
- Per alimentare il prodotto utilizzare un trasformatore di sicurezza e/o un alimentatore a tensione continua isolato di caratteristiche adeguate. Le caratteristiche di alimentazione in uscita non devono superare i valori indicati di seguito. Tensione di alimentazione: 24Vac ($\pm 10\%$) oppure 24Vdc ($\pm 5\%$).
- L'impianto elettrico deve essere dotato di un sezionatore di rete prontamente riconoscibile e isolizzabile in caso di necessità.
- Per interventi di assistenza tecnica rivolgersi esclusivamente a personale tecnico autorizzato.
- Usare mezzi di protezione individuali adeguati durante l'installazione.
- Si devono rispettare le normative nazionali per l'installazione del dispositivo.
- Questo è un prodotto di Classe A. In un ambiente residenziale questo prodotto può provocare radiodisturbi. In questo caso può essere richiesto all'utilizzatore di prendere misure adeguate.
- Collegare il dispositivo ad una sorgente d'alimentazione corrispondente a quella indicata nell'etichetta di marcatura. Prima di procedere con l'installazione verificare che la linea elettrica sia opportunamente sezionata.
- Per essere conforme ai requisiti della normativa sugli abbassamenti e le brevi interruzioni della tensione di alimentazione, utilizzare un adeguato gruppo di continuità (UPS) per alimentare l'unità.
- Alimentare il dispositivo tramite una rete di alimentazione in 24Vac, 24Vdc oppure, nel caso di modelli senza scheda per video analisi, tramite un PSE (Power Sourcing Equipment) conforme a IEEE 802.3at (PoE+).
- In caso di alimentazione in 24Vac, deve essere predisposta un'adeguata separazione dalla linea di alimentazione AC, fornendo un isolamento doppio o rinforzato tra la linea di alimentazione principale e il circuito secondario.

5 Identificazione

5.1 Descrizione e designazione del prodotto

5.1.1 NVX

NVX è una telecamera IP Full HD Super low-light con elevate proprietà anti-corrosione.

La telecamera NVX è interamente costruita in acciaio inox AISI 316L e si distingue per il suo design compatto e il peso leggero, che ne facilita installazione e manutenzione, anche grazie ai suoi connettori rapidi.

Il supporto modulare per il montaggio a parete, soffitto o parapetto è fornito di serie.

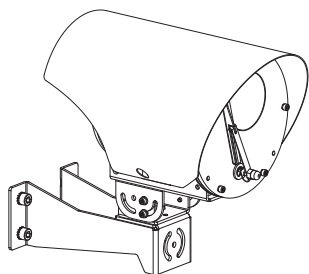


Fig. 1 NVX.

5.1.2 NTX

NTX è una telecamera termica IP con elevate proprietà anti-corrosione.

La telecamera termica offre una soluzione per la visione anche nel buio più totale, nebbia, pioggia, fumo, o per le grandi distanze.

La finestra in germanio è trattata esternamente antigraffio, antiriflesso, Hard Carbon Coating (DLC), ed internamente antiriflesso; il range spettrale va da 7.5µm fino a 14µm.

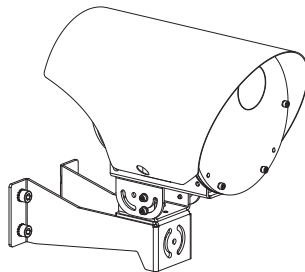


Fig. 2 NTX.

5.2 Panoramica del prodotto

Di seguito vengono illustrate le componenti principali del prodotto.

1. Supporto di fissaggio.
2. Supporto rotazione.
3. Supporto della telecamera.
4. Tettuccio.
5. Telecamera.

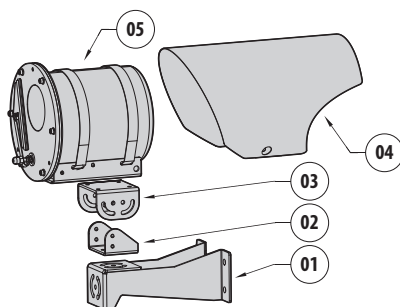


Fig. 3

5.3 Marcatura del prodotto

Vedere l'etichetta posta sul prodotto.

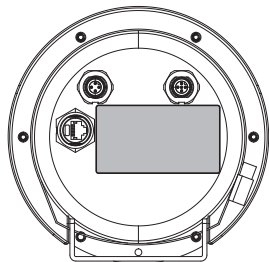


Fig. 4

L'etichetta riporta:

- Codice di identificazione del modello.
- Tensione di alimentazione (V).
- Frequenza (Hz).
- Corrente max (A).
- Numero di serie.

5.3.1 Controllo della marcatura

Prima di procedere con l'installazione controllare che il materiale fornito corrisponda alle specifiche richieste, esaminando le etichette di marcatura.

Non effettuare per nessun motivo alterazioni o collegamenti non previsti in questo manuale. L'uso di apparecchi non idonei può portare a gravi pericoli per la sicurezza del personale e dell'impianto.

6 Versioni

6.1 NVX

6.1.1 Versione con tergcristallo integrato

La versione standard del prodotto viene fornita con tergcristallo integrato.

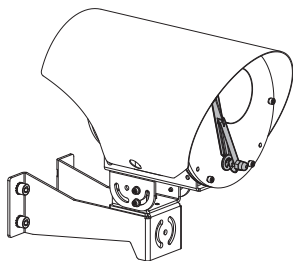


Fig. 5

6.1.2 Versione senza tergcristallo

Esiste una versione del prodotto semplificata non dotata di tergcristallo.

Sono disponibili la versione con finestra in vetro e la versione con finestra in policarbonato.

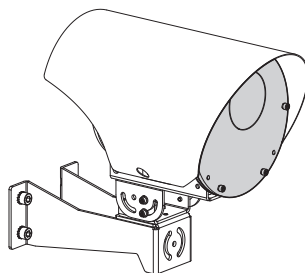


Fig. 6

6.1.3 Telecamera Day/Night

Questa versione del prodotto è dotata di una telecamera Day/Night Full HD.

6.1.4 VIDEOTEC ANALYTICS

Questa versione del prodotto integra la funzione di analisi video VIDEOTEC Analytics.

6.2 NTX

6.2.1 Finestra in germanio

La versione con finestra in germanio è stata studiata per applicazioni con telecamere termiche.

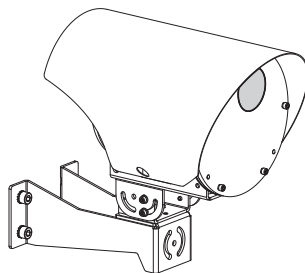


Fig. 7

6.3 Identificazione del modello

NVX - OPZIONI DI CONFIGURAZIONE										
	Voltaggio		Telecamera	Versioni	Video analisi		Revisione			
NVX	2	24Vac/24Vdc/PoE+	10	Telecamera super low-light Day/Night, FULL HD 1080p, 30x, con tecnologia DELUX	W	Con tergcristallo	00	Senza funzioni di video analisi integrate (senza VIDEOTEC ANALYTICS)	A	Conforme ONVIF, Profilo Q, Profilo S e Profilo T
			20	Telecamera SONY FCB-EV7520, FULL HD 1080p, 30x	S	Senza tergcristallo/Finestra in vetro	01	Con funzioni di video analisi integrate (VIDEOTEC ANALYTICS)	J	Conforme ONVIF, Profilo S e Profilo T
					P	Senza tergcristallo/Finestra in policarbonato				

Tab. 1 NVX.

NTX - OPZIONI DI CONFIGURAZIONE													
	Voltaggio		Telecamera	Radiometria	Versione				Frequenza della telecamera termica				
NTX	2	24Vac/24Vdc/PoE+	D	Telecamera termica 35mm, 640x512	0	Telecamera termica con funzioni radiometriche	R	Finestra in germanio	0	0	A	-	7.5Hz
			E	Telecamera termica 25mm, 640x512	R	Telecamera termica con funzioni radiometriche avanzate						H	30Hz
			U	Telecamera termica 19mm, 640x512									
			G	Telecamera termica 13mm, 640x512									
			H	Telecamera termica 9mm, 640x512									
			I	Telecamera termica 35mm, 336x256									
			L	Telecamera termica 25mm, 336x256									
			Z	Telecamera termica 19mm, 336x256									
			M	Telecamera termica 13mm, 336x256									
			Q	Telecamera termica 9mm, 336x256									

Tab. 2 NTX.

7 Preparazione del prodotto per l'utilizzo



Qualsiasi intervento non espressamente approvato dal costruttore fa decadere la garanzia.

7.1 Disimballaggio

Alla consegna del prodotto verificare che l'imballo sia integro e non presenti segni evidenti di cadute o abrasioni.

In caso di danni evidenti all'imballo contattare immediatamente il fornitore.

In caso di restituzione del prodotto malfunzionante è consigliato l'utilizzo dell'imballaggio originale per il trasporto.

Conservare l'imballo qualora fosse necessario inviare il prodotto in riparazione.

7.2 Smaltimento in sicurezza dei materiali di imballaggio

I materiali d'imballo sono costituiti interamente da materiale riciclabile. Sarà cura del tecnico installatore smaltirli secondo le modalità di raccolta differenziata o comunque secondo le norme vigenti nel Paese di utilizzo.

7.3 Contenuto

Controllare che il contenuto sia corrispondente alla lista del materiale sotto elencato:

- Telecamera
- Supporto di fissaggio
- Supporto rotazione
- Supporto della telecamera
- Tettuccio
- Dotazione:
 - Connettori rapidi e tappi
 - Manuale di istruzioni
 - Viteria (versione con tergicristallo)
 - Supporto per impianto lavavetro (versione con tergicristallo)
 - Ugello per impianto lavavetro (versione con tergicristallo)
 - Fascetta (versione con tergicristallo)
- Dotazione per il supporto:
 - Chiave esagonale
 - Viteria

7.4 Lavoro preparatorio prima dell'installazione

! **ATTENZIONE!** L'installazione e la manutenzione del dispositivo devono essere eseguite solo da personale tecnico specializzato.

! Eseguire l'installazione utilizzando utensili adeguati. Il luogo in cui il dispositivo viene installato può tuttavia rendere necessario l'utilizzo di utensili specifici.

! Il prodotto deve essere fissato con mezzi adeguati. I mezzi di fissaggio devono garantire la tenuta meccanica applicando una forza pari almeno a 4 volte il peso complessivo dell'apparecchiatura.

! Scegliere una superficie di installazione sufficientemente resistente e adatta a sostenere il peso dell'apparecchio, tenendo conto di condizioni ambientali particolari come l'esposizione a venti forti.

! Installare l'apparecchio in modo da evitare incidenti causati dal contatto con parti in movimento, facendo sì che queste non urtino contro altri oggetti creando situazioni pericolose.

! Prima di fornire alimentazione assicurarsi che l'apparecchio sia saldamente ancorato.

! Per l'assistenza tecnica rivolgersi esclusivamente a personale tecnico autorizzato.

i Poiché la responsabilità della scelta della superficie di ancoraggio dell'unità ricade sull'utente, il produttore non fornisce in dotazione i dispositivi di fissaggio per l'ancoraggio dell'unità alla superficie. L'installatore è pertanto responsabile della scelta di dispositivi idonei alla superficie a sua disposizione.

7.4.1 Fissaggio a parete, a parapetto o a soffitto

Il prodotto può essere installato a parete, a parapetto oppure a soffitto.

Fissare il supporto di fissaggio (01) alla superficie di destinazione finale.

Assemblare il supporto della telecamera (03) alla telecamera tramite le quattro viti M5 e le rondelle fornite in dotazione. Fissare l'elemento di rotazione (02) al supporto di fissaggio (01) e al supporto (03) tramite le sette viti M5 e le rondelle fornite in dotazione. Una volta definita la posizione finale del prodotto serrare a coppia le viti M5.

! **Prestare attenzione durante il fissaggio. Coppia di serraggio: 4.5Nm ($\pm 0.5Nm$).**

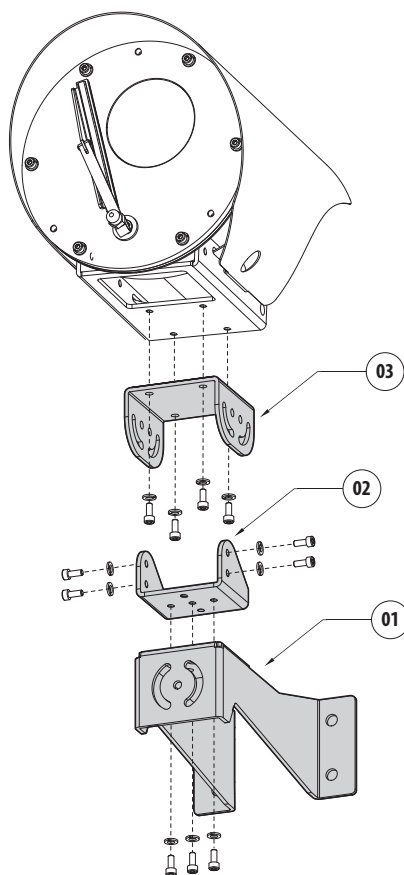


Fig. 8 Fissaggio a parete.

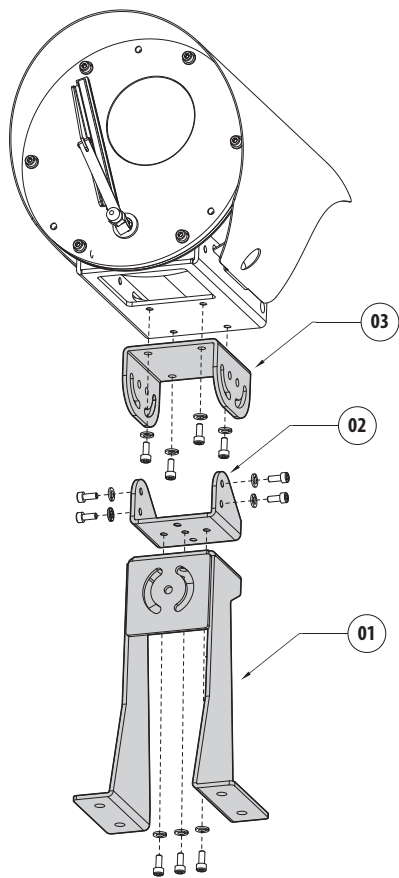


Fig. 9 Fissaggio a parapetto.

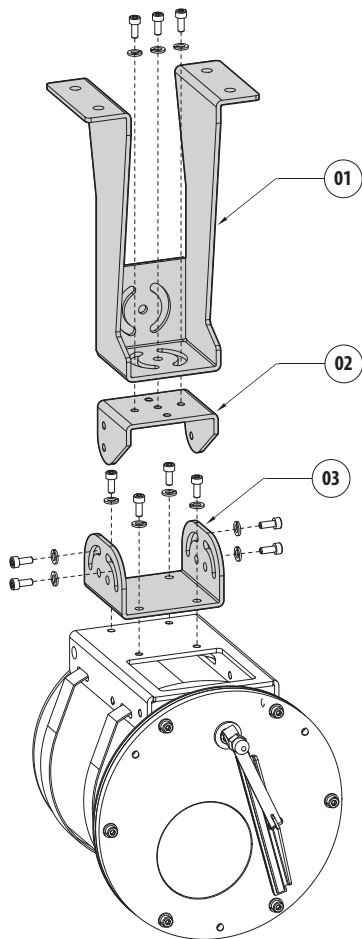


Fig. 10 Fissaggio a soffitto.

i Nell'installazione a soffitto il tettuccio va smontato.

7.4.2 Opzioni di installazione

Il prodotto può essere installato nelle posizioni illustrate di seguito.

Il range di inclinazione verticale della telecamera va da -90° fino a 0° .

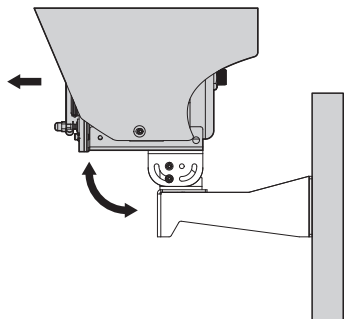


Fig. 11 Esempio di installazione a parete, rotazione verticale, 0° .

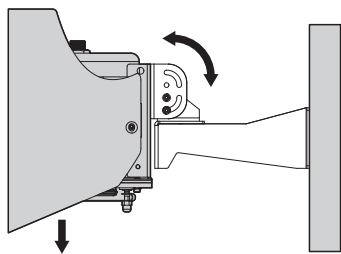


Fig. 12 Esempio di installazione a parete, rotazione verticale, -90° .

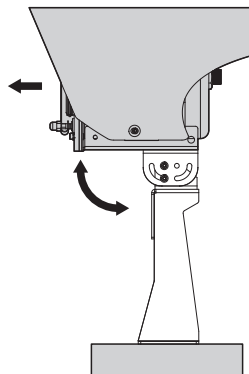


Fig. 13 Esempio di installazione a parapetto, rotazione verticale, 0° .

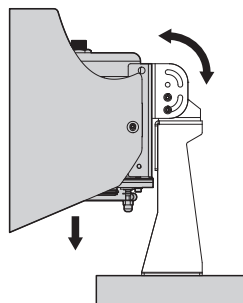


Fig. 14 Esempio di installazione a parapetto, rotazione verticale, -90° .



Nell'opzione di installazione a soffitto è necessario rimuovere il tettuccio.

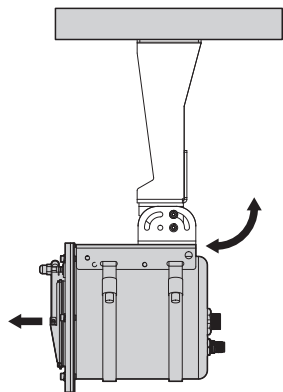


Fig. 15 Esempio di installazione a soffitto, rotazione verticale, 0°.

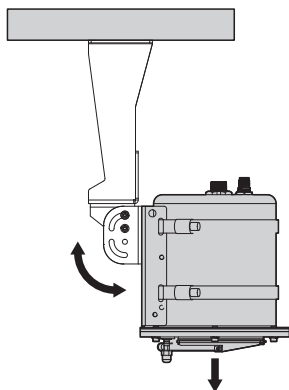


Fig. 16 Esempio di installazione a soffitto, rotazione verticale, -90°.

Il prodotto può essere ancorato con una catena od un filo metallico per prevenire la caduta della telecamera in caso di cedimento del supporto. A tal fine può essere utilizzato il foro mostrato in figura (Fig. 17, pagina 17).

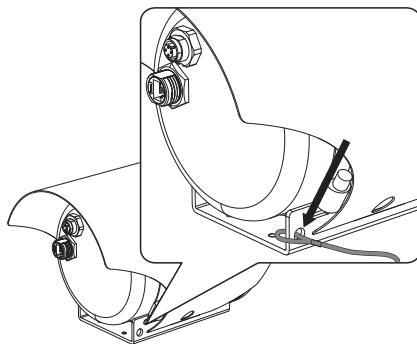


Fig. 17

8 Installazione



ATTENZIONE! L'impianto elettrico al quale è collegata l'unità deve essere dotato di un interruttore di protezione bipolare automatico da 10A max. La distanza minima tra i contatti dell'interruttore di protezione deve essere di 3mm. L'interruttore deve essere provvisto di protezione contro la corrente di guasto verso terra (differenziale) e la sovracorrente (magnetotermico).



Eeguire le connessioni elettriche in assenza di alimentazione e con dispositivo di sezionamento aperto.



L'impianto elettrico deve essere dotato di un sezionatore di rete prontamente riconoscibile e utilizzabile in caso di necessità.



Isolare elettricamente tutti i cavi non collegati.



VIDEOTECH raccomanda di testare la configurazione e le prestazioni dell'apparecchio prima di collocarlo nel sito di installazione definitivo.

8.1 Messa a terra funzionale



Nel caso in cui l'unità venga alimentata tramite linea Ethernet (PoE+) si prescrive il collegamento di un cavo esterno di terra funzionale, verso la terra dell'impianto.



Utilizzare cavi con le caratteristiche riportate di seguito.

- Sezione nominale dei cavi utilizzabili: 2.5mm² (14AWG) min.

Effettuare l'installazione del cavo di terra funzionale come illustrato in figura.

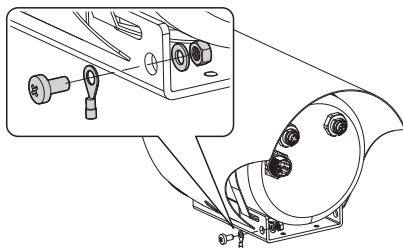


Fig. 18

8.2 Cablaggio dei connettori rapidi

Il prodotto è dotato di connettori rapidi per facilitare l'installazione.

Sul retro del prodotto sono presenti i connettori fissi. È necessario cablare i connettori dal lato del cavo (connettori volanti).

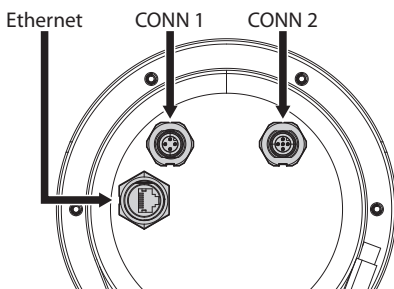


Fig. 19 Vista posteriore della telecamera. Connettori del lato telecamera.

Una volta terminata l'installazione inserire i connettori volanti nei corrispettivi fissi sul retro del prodotto.

Nel caso in cui non vengano utilizzati i connettori volanti, fissare sul retro del prodotto i tappi forniti in dotazione.

8.2.1 Cablaggio dei connettori volanti (alimentazione, I/O)

! Alimentare il dispositivo tramite una rete di alimentazione in 24Vac o 24Vdc.

! Alimentare il dispositivo tramite la linea Ethernet (modelli senza la scheda per video analisi) utilizzando un PSE (Power Sourcing Equipment) conforme a IEEE 802.3at (PoE+).

i La polarità della tensione applicata ai pin 1 e 2 del connettore 2 è irrilevante.

i Non è prevista la messa a terra in quanto il prodotto non lo richiede quando alimentato in 24Vac o 24Vdc.

i Utilizzare cavi con le caratteristiche riportate di seguito.

- Sezione: da 0.14mm² (26AWG) fino a 0.75mm² (18AWG).
- Diametro complessivo del cavo: da 4mm fino a 8mm.
- Lunghezza (cavi di alimentazione): La sezione dei conduttori influisce sulla massima lunghezza ammissibile per i cavi. La massima lunghezza dei cavi in base alla sezione dei conduttori è riportata nella seguente tabella.

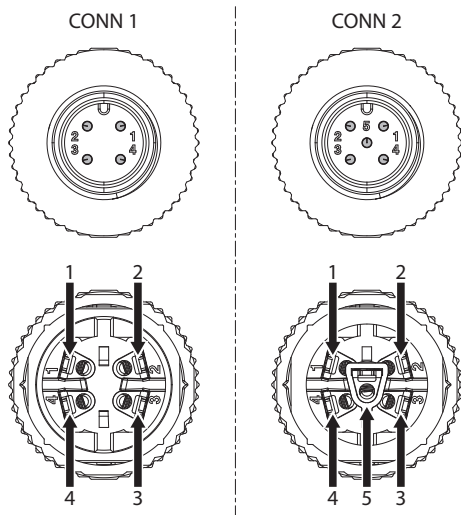


Fig. 20 Vista frontale dei pin e vista interna dei morsetti.

CONN 1 (CONNETTORE A 4 POLI)	
Numero del pin	Funzione
1	Relè della pompa lavavetro
2	Relè della pompa lavavetro
3	Relè ausiliario (relè configurabile)
4	Relè ausiliario (relè configurabile)

Tab. 3

CONN 2 (CONNETTORE A 5 POLI)	
Numero del pin	Funzione
1	Alimentazione 24Vac/24Vdc
2	
3	Non utilizzato
4	Factory Default*
5	

Tab. 4 *È possibile effettuare il Factory Default nelle versioni di NVX dotate di tergcristallo e in tutte le versioni di NTX.

LUNGHEZZA MASSIMA DEI CAVI		
Sezione	Senza scheda per video analisi	Con scheda per video analisi
0.34mm ² (22AWG)	20m	15m
0.5mm ² (20AWG)	30m	25m
0.75mm ² (18AWG)	50m	40m

Tab. 5

Cablare il connettore volante effettuando le seguenti operazioni.

Sguainare il cavo fino ad un massimo di 18mm. Spellare i conduttori fino ad un massimo di 5mm.

Inserire il cavo attraverso il dado di tenuta (01), la guarnizione (02) e il corpo del connettore (03).

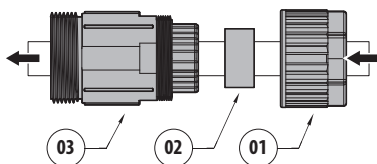


Fig. 21

Allentare le viti presenti dei morsetti (04) della parte frontale del connettore, inserire i conduttori e fissarli serrando le viti. Avvitare il corpo del connettore (03) al frontale con i morsetti (05) serrando la ghiera (06).

! **Prestare attenzione durante il fissaggio.**
Coppia di serraggio: da 0.29Nm fino a 0.39Nm.

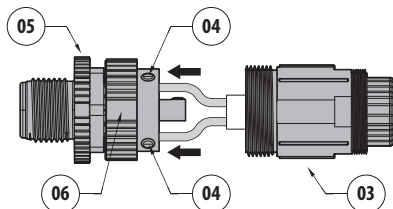


Fig. 22

Inserire la guarnizione (02) all'interno dell'alloggiamento del corpo del connettore (03). Fissare infine il dado di tenuta (01).

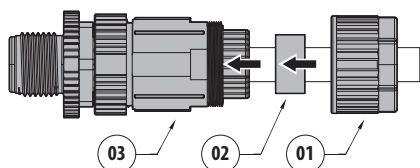


Fig. 23

! **Prestare attenzione durante il fissaggio.**
Coppia di serraggio: da 0.39Nm fino a 0.59Nm.

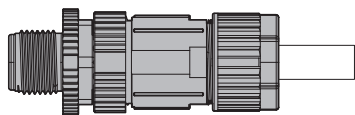


Fig. 24 Assemblaggio completo.

Prima di fissare i connettori volanti ai relativi connettori posti sul retro della telecamera assicurarsi di far combaciare i TAP.

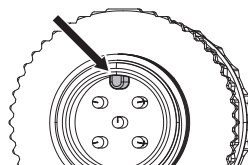


Fig. 25

Innestare il connettore volante sul connettore fisso e serrare la ghiera.

8.2.2 Collegamento dei relè

! **Il relè è utilizzabile con le specifiche riportate di seguito.**

- **Tensione di lavoro: fino a 30Vac oppure 60Vdc.**
- **Corrente: 1A max.**

! **Utilizzare cavi con le caratteristiche riportate di seguito.**

- **Sezione: da 0.14mm² (26AWG) fino a 0.75mm² (18AWG).**

I contatti del relè sono situati nel relativo connettore rapido. I relè non hanno polarità (Tab. 3, pagina 19).

8.2.3 Cablaggio del connettore volante (Ethernet, PoE+)

! Se il dispositivo non è dotato di scheda per video analisi, può essere alimentato tramite un PSE (Power Sourcing Equipment) conforme a IEEE 802.3at (PoE+).

i Utilizzare cavi Ethernet con le caratteristiche riportate di seguito.

- **Diametro:** da 5mm fino a 6mm.
- **Schermatura:** SF/UTP.
- **Categoria:** 5e.
- **Lunghezza:** 100m max (PoE+).

Cablare il connettore volante effettuando le seguenti operazioni.

Inserire il cavo Ethernet attraverso il dado di tenuta (01), la gabbia (02), la guarnizione (03) e il corpo del connettore (04).

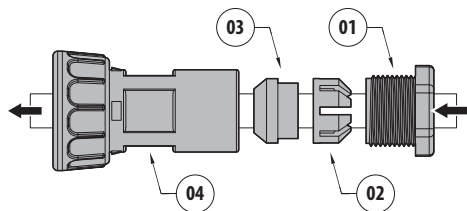


Fig. 26

Crimpare il connettore RJ45 schermato fornito in dotazione.

! Collegare la calza al connettore schermato RJ45.

Effettuare i collegamenti secondo quanto descritto nella tabella (in accordo con lo standard: TIA/EIA-568-B).

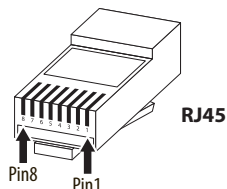


Fig. 27

COLLEGAMENTO DEL CAVO DI RETE ETHERNET	
Numero del pin	Colore del cavo
1	Arancione-Bianco
2	Arancione
3	Verde-Bianco
4	Blu
5	Blu-Bianco
6	Verde
7	Marrone-Bianco
8	Marrone

Tab. 6

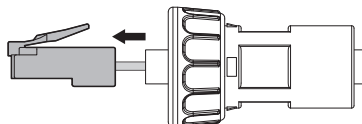


Fig. 28

Tirare leggermente il cavo Ethernet (05) fino a che il connettore RJ45 (06) non risulti infilato completamente nell'alloggiamento del corpo del connettore volante.

Dopo aver infilato la gabbia e la guarnizione serrare il dado di tenuta (07).



**Prestare attenzione durante il fissaggio.
Coppia di serraggio: Da 0.9Nm fino a 1Nm.**

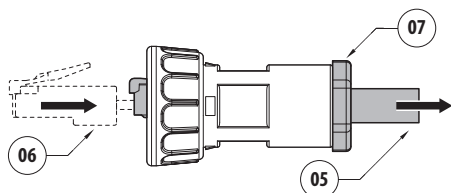


Fig. 29

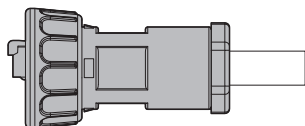


Fig. 30 Assemblaggio completo.

Innestare il connettore volante sul connettore fisso e serrare la ghiera.

8.2.4 Collegamento del cavo di rete Ethernet



La calza del cavo Ethernet dal lato utilizzatore deve essere sempre collegata a terra. Utilizzare un connettore RJ45 schermato. Collegare la calza al connettore schermato RJ45.

Il prodotto può essere collegato direttamente ad uno switch Ethernet.

Una installazione tipica è quella riportata nell'esempio sottostante.

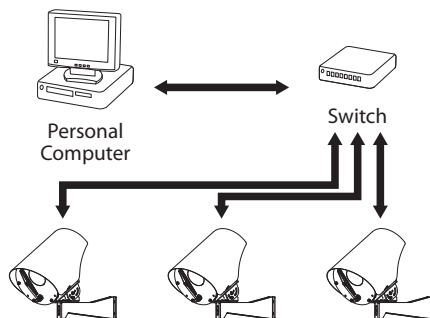


Fig. 31

9 Accensione



Assicurarsi che l'unità e gli altri componenti dell'impianto siano chiusi in modo idoneo a impedire il contatto con componenti sotto tensione.



Accertarsi che tutte le parti siano fissate in maniera solida ed affidabile.



La procedura di preriscaldamento automatico (De-Ice) si potrebbe attivare tutte le volte che il dispositivo viene acceso ad una temperatura ambiente inferiore a -10°C. La procedura serve a garantire la corretta funzionalità del dispositivo anche alle basse temperature. Durata della procedura di preriscaldamento: 60 minuti.

Collegare l'alimentazione elettrica per accendere l'unità.

Scollegare l'alimentazione elettrica per spegnere l'unità.

10 Configurazione

10.1 Indirizzo IP di default

i L'unità è configurata per ottenere l'indirizzo IP da un server DHCP.

L'indirizzo IP acquisito via DHCP è visibile nel file log del server DHCP.

Se il server DHCP non è disponibile, l'unità si configura automaticamente con un indirizzo IP autogenerato nella sottorete 169.254.x.x/16. Configurare l'indirizzo IP del PC come appartenente alla stessa sottorete (esempio: indirizzo IP: 169.254.1.1, subnet mask: 255.255.0.0).

Per ricercare l'indirizzo IP del dispositivo usare un VMS compatibile ONVIF o un network sniffer (IP scan utility).

10.2 Interfaccia web

i **Browser supportati (ultima versione):**
Microsoft Edge, Google Chrome, Mozilla Firefox.

10.2.1 Primo accesso alle pagine web

La prima operazione per configurare il dispositivo consiste nel connettersi alla sua interfaccia web.

Per accedere all'interfaccia web del prodotto sarà sufficiente collegarsi con un browser all'indirizzo http://indirizzo_ip.

Al primo accesso sarà visualizzata la pagina di Home.

i **Per la configurazione dell'interfaccia web consultare il manuale relativo alla versione firmware installata, disponibile nella pagina web del prodotto sul nostro sito www.videotec.com.**

11 Accessori e supporti

i Per ulteriori dettagli sulla configurazione e l'utilizzo fare riferimento al manuale del relativo accessorio.

11.1 Impianto di lavaggio

Il prodotto, se equipaggiato di tergicristallo, può essere dotato di una pompa esterna che fornisce acqua per la pulizia del vetro.

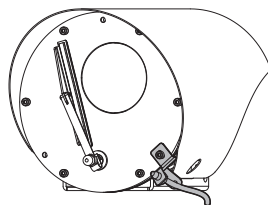


Fig. 32

Per completare l'installazione dell'impianto di lavaggio utilizzare il kit presente nella dotazione della telecamera.

Inserire la testa dell'ugello (01) sul supporto (02) serrando il dado (03).

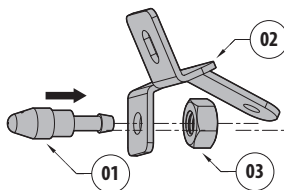


Fig. 33

Fissare l'ugello e il supporto assemblati sfruttando uno dei fori accessori (01) presenti sul frontale della custodia. Serrare la vite e la rondella (02). Inserire il tubo di mandata nell'ugello (03). Assicurare il tubo di mandata al supporto con una fascetta (04).

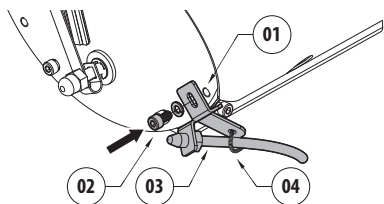


Fig. 34

11.2 Staffa di supporto per illuminatore a LED

Per installare l'illuminatore a LED VIDEOTECH GEKO IRH è necessario dotare il dispositivo di una staffa di supporto.

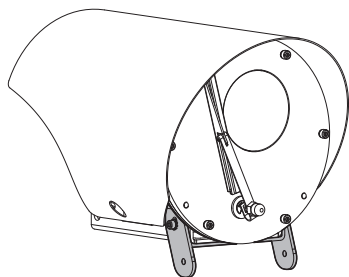


Fig. 35 NVXIRBKT.

11.3 Illuminatore a LED

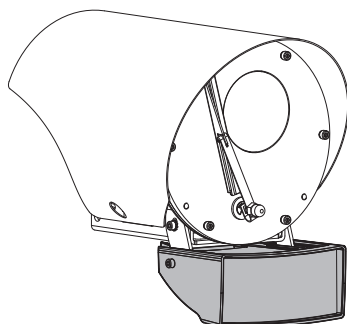


Fig. 36 GEKO IRH.

11.4 Adattatore angolare

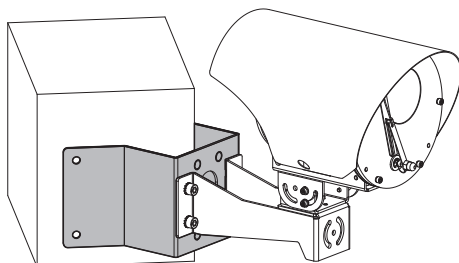


Fig. 37 UEAC.

11.5 Collare da palo

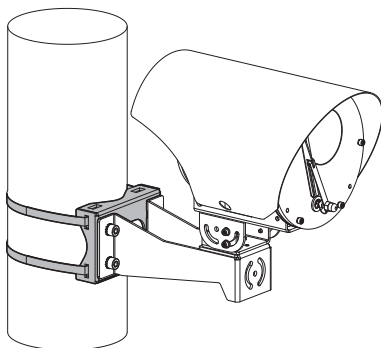


Fig. 38 UEAP.

11.6 Contropiastra

La contropiastra può essere utilizzata per il montaggio a parete o a soffitto, anche per applicazioni con canaletta. I quattro fori con interasse maggiorato permettono una maggiore resistenza meccanica.

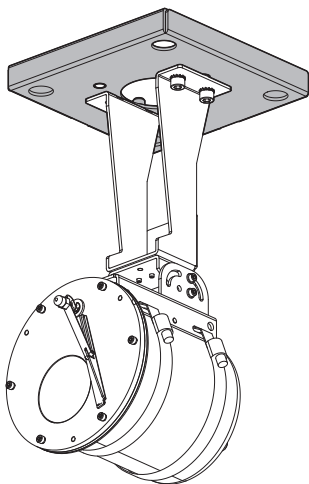


Fig. 39 UEAW.

11.7 Tettuccio frontale di protezione dalla polvere

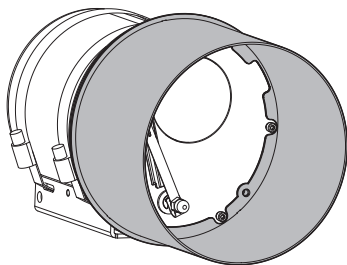



Fig. 40 NVXTUB.

12 Manutenzione

 **Prima di effettuare interventi tecnici sull'apparecchio togliere l'alimentazione elettrica.**

 **ATTENZIONE! L'installazione e la manutenzione del dispositivo devono essere eseguite solo da personale tecnico specializzato.**

12.1 Rimozione del tettuccio

Il prodotto viene fornito con il tettuccio già installato.

Per esigenze di installazione o manutenzione è possibile smontare il tettuccio. Svitare le viti del tettuccio e rimuoverlo.

Rimontare il tettuccio prima di fissare la telecamera al supporto telecamera.

 **Prestare attenzione durante il fissaggio. Coppia di serraggio: 4Nm (± 0.5 Nm).**

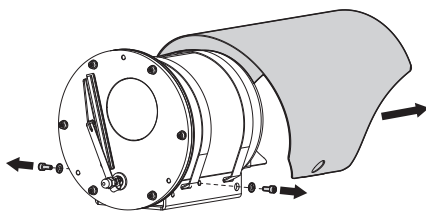


Fig. 41

12.2 Apertura e chiusura della telecamera

Per effettuare alcune operazioni di manutenzione è necessario aprire la telecamera.



Sfilare con cautela la slitta frontale. Fare attenzione a non danneggiare i cavi di connessione interni.

Svitare le viti di chiusura ed estrarre la slitta collegata al frontale della telecamera.

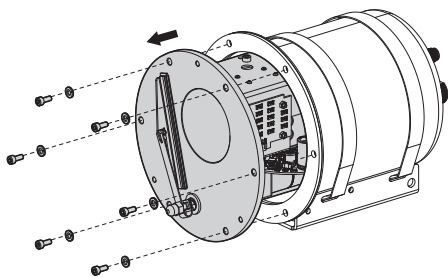


Fig. 42

Per chiudere la telecamera seguire il procedimento inverso.



Prestare attenzione durante il fissaggio. Coppia di serraggio: 4.5Nm (± 0.5 Nm).

12.3 Descrizione della scheda della telecamera

DESCRIZIONE DELLA SCHEDA

Connettore/ Morsetto	Funzione
F1	Fusibile
SW1	Dip-switch di reset

Tab. 7

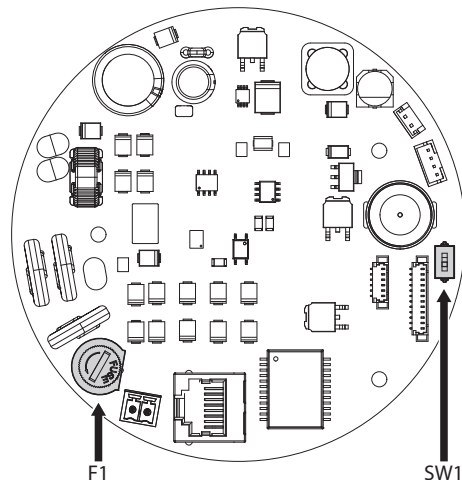


Fig. 43

12.4 Sostituzione del fusibile

⚠ ATTENZIONE! Per assicurare la protezione contro il rischio di incendio, sostituire i fusibili con lo stesso tipo e valore. I fusibili devono essere sostituiti solo da personale qualificato.

In caso di necessità è possibile sostituire il fusibile della scheda connettori. Il nuovo fusibile dovrà rispettare le indicazioni fornite in tabella.

SOSTITUZIONE DEI FUSIBILI	
Tensione	Fusibile F1
24Vac, 50/60Hz	T 2A H 250V 5x20
24Vdc	

Tab. 8

Utilizzare in alternativa dei fusibili omologati di pari caratteristiche.

Per sostituire il fusibile è necessario aprire la telecamera (12.2 Apertura e chiusura della telecamera, pagina 26).

Individuare il fusibile da sostituire.

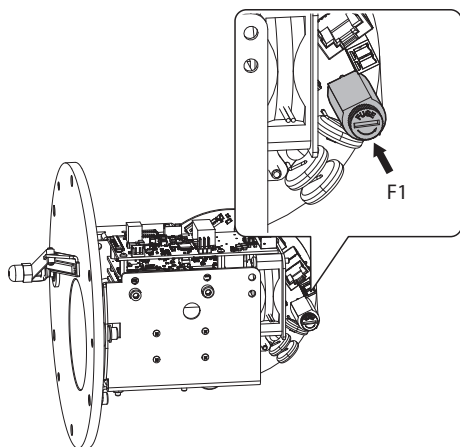


Fig. 44

12.5 Factory Default

i Una volta terminata la procedura di factory default è necessario configurare l'unità come descritto nel relativo capitolo (10.1 Indirizzo IP di default, pagina 23).

12.5.1 Factory Default, NVX (versione con tergicristallo), NTX

- Togliere alimentazione all'unità.
- Cortocircuitare i terminali 4 e 5 di CONN 2 (o i relativi conduttori, Tab. 4, pagina 19).
- Alimentare l'unità. Attendere 2 minuti.
- Togliere alimentazione all'unità.
- Rimuovere il cortocircuito.
- Alimentare l'unità.

12.5.2 Factory Default, NVX (versione senza tergicristallo)

È possibile effettuare il ripristino delle impostazioni di fabbrica. Effettuare la seguente procedura:

- Togliere alimentazione all'unità.
- Aprire la telecamera (12.2 Apertura e chiusura della telecamera, pagina 26).
- Individuare il dip switch di reset (SW1, 12.3 Descrizione della scheda della telecamera, pagina 26).
- Impostare su ON il dip switch di reset.
- Alimentare l'unità. Attendere 2 minuti.
- Togliere alimentazione all'unità.
- Impostare su OFF il dip switch di reset.
- Reinscrivere la slitta e chiudere la telecamera. Prestare particolare attenzione a non danneggiare i cavi interni durante la chiusura.
- Alimentare l'unità.

13 Pulizia



La frequenza degli interventi dipende dalla tipologia dell'ambiente in cui è utilizzato il prodotto.

13.1 Pulizia della finestra



Evitare alcool etilico, solventi, idrocarburi idrogenati, acidi forti e alcali. L'utilizzo di detti prodotti danneggia in modo irreparabile la superficie trattata.

Si consiglia di utilizzare un panno morbido con sapone neutro diluito con acqua o prodotti specifici per la pulizia delle lenti degli occhiali.

13.2 Pulizia della finestra in germanio



Evitare alcool etilico, solventi, idrocarburi idrogenati, acidi forti e alcali. L'utilizzo di detti prodotti danneggia in modo irreparabile la superficie trattata.



Pulire la finestra prestando attenzione a non graffiare o rigare la superficie esterna trattata con carbon coating. Danneggiando tale rivestimento c'è il rischio di compromettere la trasparenza all'infrarosso della superficie.

La pulizia deve essere effettuata con sapone neutro diluito con acqua.

14 Informazioni sullo smaltimento e il riciclo

La Direttiva Europea 2012/19/UE sui Rifiuti di Apparecchiature Elettriche ed Elettroniche (RAEE) prevede che questi apparecchi non debbano essere smaltiti nel normale flusso dei rifiuti solidi urbani, ma che vengano raccolti separatamente per ottimizzare il flusso di recupero e riciclaggio dei materiali che li compongono ed impedire potenziali danni per la salute e per l'ambiente dovuti alla presenza di sostanze potenzialmente pericolose.



Il simbolo del bidone barrato è riportato su tutti i prodotti per ricordarlo.

I rifiuti possono essere conferiti agli appositi centri di raccolta, oppure, possono essere consegnati gratuitamente al distributore dove è stata acquistata l'apparecchiatura all'atto di acquisto di una nuova equivalente o senza obbligo di un acquisto nuovo per le apparecchiature di dimensioni minori di 25cm.

Per ulteriori informazioni sulla corretta dismissione di questi apparecchi ci si può rivolgere al servizio pubblico preposto.

15 Dati tecnici

15.1 NVX

15.1.1 Generale

Installazione semplice grazie ai connettori rapidi

Configurazione veloce

15.1.2 Meccanica

Costruzione in acciaio Inox AISI 316L

Asola per catena di sicurezza

Peso unitario:

- 4.9kg (supporto di fissaggio incluso)
- 4kg (supporto di fissaggio non incluso)

15.1.3 Finestre per telecamera

Finestra in vetro extrachiaro

- Spessore: 3mm

Finestra in policarbonato (disponibile solo per versione senza tergcristallo)

- Spessore: 3mm

15.1.4 Elettrico

Tensione di alimentazione/Corrente assorbita:

- 24Vac, 1.32A, 50/60Hz
- 24Vdc, 0.9A
- PoE+ (IEEE 802.3at), non disponibile per versione con VIDEOTEC Analytics

Potenza assorbita

- Versioni senza VIDEOTEC Analytics: 21W
- Versioni con VIDEOTEC Analytics: 25.2W

15.1.5 Rete

Connessione Ethernet: 100 Base-TX

Connettore: RJ45

15.1.6 Video

Encoder video

- Protocollo di comunicazione: ONVIF, Profilo Q, Profilo S e Profilo T
- Configurazione del dispositivo: TCP/IPv4-IPV6, UDP/IPv4-IPV6, HTTP, HTTPS, NTP, DHCP, WS-DISCOVERY, DSCP, IGMP (Multicast), SOAP, DNS
- Streaming: RTSP, RTCP, RTP/IPv4-IPV6, HTTP, Multicast
- Compressione video: H.264/AVC, MJPEG, JPEG, MPEG4
- 3 flussi video indipendenti Full HD
- Risoluzione immagine: da 320x180pixel fino a 1920x1080pixel in 6 passi
- Frame rate configurabile da 1 a 60 immagini per secondo (fps)
- Web Server
- Motion Detection
- Video analisi: VIDEOTEC ANALYTICS (opzionale)
- QoS: DSCP differenziati per streaming e gestione del dispositivo
- Protocolli SNMP e NTCIP

15.1.7 Interfaccia I/O

Scheda allarme I/O (versione con tergcristallo)

- Ingresso per reset remoto: 1
- Uscite relè: 1+1 (1 relè riservato alla pompa lavavetro e uno configurabile, 1A, 30Vac/60Vdc max)

15.1.8 Telecamere

Day/Night Full HD 30x DELUX

Risoluzione: Full HD 1080p (1920x1080)

Sensore di immagine: 1/2.8" Exmor™ R CMOS sensor

Pixel Effettivi: appross. 2.38 Megapixel

Illuminazione Minima:

- Colore: 0.006lx (F1.6, 30 IRE)
- B/W: 0.0006lx (F1.6, 30 IRE)

Lunghezza focale: da 4.5mm (wide) fino a 135mm (tele)

Zoom: 30x (480x con zoom digitale)

Iris: da F1.6 fino a F9.6 (Auto, Manuale)

Campo visivo orizzontale: da 61.60° (wide end) fino a 2.50° (tele end)

Campo visivo verticale: da 37.07° (wide end) fino a 1.44° (tele end)

Velocità dell'otturatore: da 1/1s fino a 1/10000s (Auto, Manuale)

Bilanciamento del bianco: Auto, Manuale

Guadagno: da 0dB fino a 100dB (Auto, Manuale)

Wide Dynamic Range: 120dB

Sistema Focus: Auto, Manuale, Trigger

Effetti immagine: E-flip, Miglioramento del colore

Riduzione del rumore: 2D (3 livelli), 3D (3 livelli)

Controllo Esposizione: Auto, Manuale, Priorità (Priorità Iris, Priorità Shutter), Luminosità, Custom

De-fog: On/Off

Mascheratura delle zone di privacy: massimo 8 maschere impostabili

Indoor Flicker Reduction

Auto Slowshutter: Off, On (da 1/30s fino a 1/1s)

Compensazione esposizione: Off, On (da livello 0 fino a livello 14)

Nitidezza: da livello 0 fino a livello 3

SONY FCB-EV7520 Day/Night Full HD 30x

Risoluzione: Full HD 1080p (1920x1080)

Sensore di immagine: 1/2.8" Exmor™ R CMOS sensor

Pixel Effettivi: appross. 2.13 Megapixel

Illuminazione Minima:

- Colore: 0.0013lx (50 IRE, High sensitivity on)
- B/W: 0.0008lx (30 IRE, High sensitivity on)

Lunghezza focale: da 4.3mm (wide) fino a 129mm (tele)

Zoom: 30x (360x con zoom digitale)

Iris: da F1.6 fino a F14 (Auto, Manuale)

Campo visivo orizzontale: da 63.7° (wide end) fino a 2.3° (tele end)

Campo visivo verticale: da 38.5° (wide end) fino a 1.3° (tele end)

Velocità dell'otturatore: da 1/1s fino a 1/10000s (Auto, Manuale)

Bilanciamento del bianco: Auto, Auto Tracing, Indoor, Outdoor, Manuale, Outdoor Auto, Sodium Lamp (Fix/Auto/Outdoor Auto)

Guadagno: da 0dB fino a 50.0dB (Auto, Manuale)

Wide Dynamic Range: 120dB

Sistema Focus: Auto (PTZ Trigger, Full Auto), Manuale

Effetti immagine: E-flip

Riduzione del rumore (2D, 3D): Off, On (da livello 1 fino a livello 5)

Controllo Esposizione: Auto, Manuale, Priorità (Priorità diaframma, Priorità otturatore, Priorità luminosità)

De-fog: Off, Low, Mid, High

Mascheratura delle zone di privacy (massimo 8 maschere impostabili)

Indoor Flicker Reduction

Limite Guadagno: da 10.7dB fino a 50dB

High sensitivity: On/Off

Compensazione Backlight: On/Off

Auto Slowshutter: On/Off

Compensazione esposizione: Off, On (da -10.5dB fino a +10.5dB)

Nitidezza: da livello 0 fino a livello 15

High Light Compensation (HLC): Off, Low, Mid, High, Livello Mascheratura (Off, On, da livello 1 fino a livello 15)

Stabilizzazione immagine digitale: On/Off

15.1.9 Ambiente

Installazione per interni ed esterni

Temperatura di esercizio

- Versione con alimentazione 24Vac oppure 24Vdc: da -40°C fino a +65°C (fino a +50°C, per versioni con VIDEOTEC ANALYTICS)
- Versione con alimentazione PoE+: da -40°C fino a +60°C
- Test di temperatura conforme NEMA-TS 2-2003 (R2008) par. 2.1.5.1, profilo di test fig. 2-1 (da -34°C fino a +74°C) (non valido per versioni con VIDEOTEC Analytics)

Immunità agli impulsi: fino a 1kV tra linea e linea, fino a 2kV tra linea e terra (Classe 3)

Umidità relativa: da 5% fino a 95%

15.1.10 Certificazioni

Sicurezza elettrica (CE): EN60950-1, IEC60950-1, EN62368-1, IEC62368-1

Compatibilità elettromagnetica (CE): EN61000-6-4, EN50130-4, EN55032 (Classe A), FCC Part 15 (Classe A), ICES003

Installazione all'esterno (CE): EN60950-22, IEC60950-22

Grado di protezione IP (EN60529): IP66, IP67, IP68 (2h 30min, 2m), IP69

Certificazione UL (non valido per versioni con VIDEOTEC Analytics): cULus Listed, TYPE 4X, TYPE 6P

Certificazione EAC

Certificazione KC (certificazione valida solo per i codici: NVX2xxxxJ)

15.1.11 Certificazioni - Applicazioni ferroviarie

Le versioni con VIDEOTEC ANALYTICS non sono certificate per applicazioni ferroviarie

Conformità alla norma per le applicazioni ferroviarie: EN50121-4 (solo con alimentazione 24Vac oppure 24 Vdc)

15.1.12 Certificazioni - Applicazioni marine

Le versioni con VIDEOTEC ANALYTICS non sono certificate per applicazioni marine

Lloyd's Register Marine Type Approval

- Test Specification Number 1 (ENV1, ENV2, ENV3, ENV5)

Compatibilità elettromagnetica: EN60945

Resistenza alla nebbia salina: EN60068-2-52

Il prodotto ha superato il test a 70°C per 16 ore in accordo con EN60068-2-2

15.2 NTX

15.2.1 Generale

Installazione semplice grazie ai connettori rapidi

Configurazione veloce

15.2.2 Meccanica

Costruzione in acciaio Inox AISI 316L

Asola per catena di sicurezza

Peso unitario:

- 4.9kg (supporto di fissaggio incluso)
- 4kg (supporto di fissaggio non incluso)

15.2.3 Finestre per telecamera

Finestra in germanio

- Spessore: 1.5mm
- Trattamento esterno: antigraffio (Hard Carbon Coating - DLC), antiriflesso
- Trattamento interno: antiriflesso
- Range spettrale: da 7.5µm fino a 14µm
- Trasmissione media (da 7.5µm fino a 11.5µm): 91.2%
- Trasmissione media (da 11.5µm fino a 14µm): 80.9%

15.2.4 Elettrico

Tensione di alimentazione/Corrente assorbita:

- 24Vac, 1.32A, 50/60Hz
- 24Vdc, 0.9A
- PoE+ (IEEE 802.3at)

Potenza assorbita: 21W

15.2.5 Rete

Connessione Ethernet: 100 Base-TX

Connettore: RJ45

15.2.6 Video

Encoder video

- Protocollo di comunicazione: ONVIF, Profilo Q, Profilo S e Profilo T, ONVIF Thermal Service
- Configurazione del dispositivo: TCP/IPv4-IPV6, UDP/IPv4-IPV6, HTTP, HTTPS, NTP, DHCP, WSDISCOVERY, DSCP, IGMP (Multicast), SOAP, DNS
- Streaming: RTSP, RTCP, RTP/IPv4-IPV6, HTTP, Multicast
- Compressione video: H.264/AVC, MJPEG, JPEG, MPEG4
- 3 flussi video indipendenti
- Risoluzione immagine: da 320x180pixel fino a 720x480pixel in 4 passi
- Frame rate configurabile da 1 a 30 immagini per secondo (fps)
- Web Server
- Motion Detection
- QoS: DSCP differenziati per streaming e gestione del dispositivo
- Protocolli SNMP e NTCIP

15.2.7 Interfaccia I/O

Scheda allarme I/O

- Ingresso per reset remoto: 1
- Uscita relè: 1 (1A, 30Vac/60Vdc max)

15.2.8 Telecamere

TELECAMERE TERMICHE (RISOLUZIONE 336X256)					
	Obiettivo 9mm	Obiettivo 13mm	Obiettivo 19mm	Obiettivo 25mm	Obiettivo 35mm
Sensore di immagine	Microbolometro non raffreddato (VOx)	Microbolometro non raffreddato (VOx)	Microbolometro non raffreddato (VOx)	Microbolometro non raffreddato (VOx)	Microbolometro non raffreddato (VOx)
Risoluzione interpolata	720x480	720x480	720x480	720x480	720x480
Dimensioni pixel	17µm	17µm	17µm	17µm	17µm
Risposta spettrale - Infrarossi onda lunga (LWIR)	da 7.5µm a 13.5µm	da 7.5µm a 13.5µm	da 7.5µm a 13.5µm	da 7.5µm a 13.5µm	da 7.5µm a 13.5µm
Otturatore interno (solo per compensazione sensore)	Video stop < 1s	Video stop < 1s	Video stop < 1s	Video stop < 1s	Video stop < 1s
Digital Detail Enhancement (DDE)	✓	✓	✓	✓	✓
Zoom digitale	2x, 4x	2x, 4x	2x, 4x	2x, 4x	2x, 4x
Frequenza di aggiornamento immagine	7.5fps	7.5fps	7.5fps	7.5fps	7.5fps
Alta frequenza di aggiornamento immagine	30fps	30fps	30fps	30fps	30fps
Gamma scena (High Gain)	-40°C ÷ +160°C	-40°C ÷ +160°C	-40°C ÷ +160°C	-40°C ÷ +160°C	-40°C ÷ +160°C
Gamma scena (Low Gain)	-40°C ÷ +550°C	-40°C ÷ +550°C	-40°C ÷ +550°C	-40°C ÷ +550°C	-40°C ÷ +550°C
Campo visione orizzontale	35°	25°	17°	13°	9,3°
Campo visione verticale	27°	19°	13°	10°	7,1°
F-number	F/1.25	F/1.25	F/1.25	F/1.1	F/1.2
Sensibilità termica (NETD), Telecamera termica con funzioni radiometriche	< 50mK a f/1.0	< 50mK a f/1.0	< 50mK a f/1.0	< 50mK a f/1.0	< 50mK a f/1.0
Sensibilità termica (NETD), Telecamera termica con funzioni radiometriche avanzate	< 30mK a f/1.0	< 30mK a f/1.0	< 30mK a f/1.0	< 30mK a f/1.0	< 30mK a f/1.0
Uomo (rilevamento / riconoscimento / identificazione)	285m / 71m / 36m	440m / 112m / 56m	640m / 160m / 80m	930m / 230m / 116m	1280m / 320m / 160m
Veicolo (rilevamento / riconoscimento / identificazione)	880m / 220m / 108m	1340m / 340m / 170m	1950m / 500m / 250m	2800m / 710m / 360m	3850m / 950m / 295m

L'analisi radiometrica non influisce sulle prestazioni della telecamera.

TELECAMERE TERMICHE (RISOLUZIONE 640X512)					
	Obiettivo 9mm	Obiettivo 13mm	Obiettivo 19mm	Obiettivo 25mm	Obiettivo 35mm
Sensore di immagine	Microbolometro non raffreddato (VOx)	Microbolometro non raffreddato (VOx)	Microbolometro non raffreddato (VOx)	Microbolometro non raffreddato (VOx)	Microbolometro non raffreddato (VOx)
Risoluzione interpolata	720x480	720x480	720x480	720x480	720x480
Dimensioni pixel	17µm	17µm	17µm	17µm	17µm
Risposta spettrale - Infrarossi onda lunga (LWIR)	da 7.5µm a 13.5µm	da 7.5µm a 13.5µm	da 7.5µm a 13.5µm	da 7.5µm a 13.5µm	da 7.5µm a 13.5µm
Otturatore interno (solo per compensazione sensore)	Video stop < 1s	Video stop < 1s	Video stop < 1s	Video stop < 1s	Video stop < 1s
Digital Detail Enhancement (DDE)	✓	✓	✓	✓	✓
Zoom digitale	2x, 4x, 8x	2x, 4x, 8x	2x, 4x, 8x	2x, 4x, 8x	2x, 4x, 8x
Frequenza di aggiornamento immagine	7.5fps	7.5fps	7.5fps	7.5fps	7.5fps
Alta frequenza di aggiornamento immagine	30fps	30fps	30fps	30fps	30fps
Gamma scena (High Gain)	-40°C ÷ +160°C	-40°C ÷ +160°C	-40°C ÷ +160°C	-40°C ÷ +160°C	-40°C ÷ +160°C
Gamma scena (Low Gain)	-40°C ÷ +550°C	-40°C ÷ +550°C	-40°C ÷ +550°C	-40°C ÷ +550°C	-40°C ÷ +550°C
Campo visione orizzontale	69°	45°	32°	25°	18°
Campo visione verticale	56°	37°	26°	20°	14°
F-number	F/1.4	F/1.25	F/1.25	F/1.1	F/1.2
Sensibilità termica (NETD), Telecamera termica con funzioni radiometriche	< 50mK a f/1.0	< 50mK a f/1.0	< 50mK a f/1.0	< 50mK a f/1.0	< 50mK a f/1.0
Sensibilità termica (NETD), Telecamera termica con funzioni radiometriche avanzate	< 30mK a f/1.0	< 30mK a f/1.0	< 30mK a f/1.0	< 30mK a f/1.0	< 30mK a f/1.0
Uomo (rilevamento / riconoscimento / identificazione)	250m / 63m / 31m	390m / 95m / 47m	570m / 144m / 72m	820m / 210m / 104m	1140m / 280m / 142m
Veicolo (rilevamento / riconoscimento / identificazione)	720m / 175m / 88m	1080m / 275m / 140m	1550m / 400m / 200m	2200m / 580m / 290m	3000m / 800m / 200m

L'analisi radiometrica non influisce sulle prestazioni della telecamera.

15.2.9 Ambiente

Installazione per interni ed esterni

Temperatura di esercizio

- Versione con alimentazione 24Vac oppure 24Vdc: da -40°C fino a +65°C
- Versione con alimentazione PoE+: da -40°C fino a +60°C
- Test di temperatura conforme NEMA-TS 2-2003 (R2008) par. 2.1.5.1, profilo di test fig. 2-1 (da -34°C fino a +74°C)

Immunità agli impulsi: fino a 1kV tra linea e linea, fino a 2kV tra linea e terra (Classe 3)

Umidità relativa: da 5% fino a 95%

15.2.10 Certificazioni

Sicurezza elettrica (CE): EN60950-1, IEC60950-1, EN62368-1, IEC62368-1

Compatibilità elettromagnetica (CE): EN61000-6-4, EN50130-4, EN55032 (Classe A), FCC Part 15 (Classe A), ICES003

Installazione all'esterno (CE): EN60950-22, IEC60950-22

Grado di protezione IP (EN60529): IP66, IP67, IP68 (2h 30min, 2m), IP69

Certificazione UL: cULus Listed, TYPE 4X, TYPE 6P

Certificazione EAC

15.2.11 Certificazioni - Applicazioni ferroviarie

Conformità alla norma per le applicazioni ferroviarie: EN50121-4 (solo con alimentazione 24Vac oppure 24Vdc)

15.2.12 Certificazioni - Applicazioni marine

Lloyd's Register Marine Type Approval

- Test Specification Number 1 (ENV1, ENV2, ENV3, ENV5)

Compatibilità elettromagnetica: EN60945

Resistenza alla nebbia salina: EN60068-2-52

Il prodotto ha superato il test a 70°C per 16 ore in accordo con EN60068-2-2

16 Disegni tecnici



Le misure indicate sono espresse in millimetri.

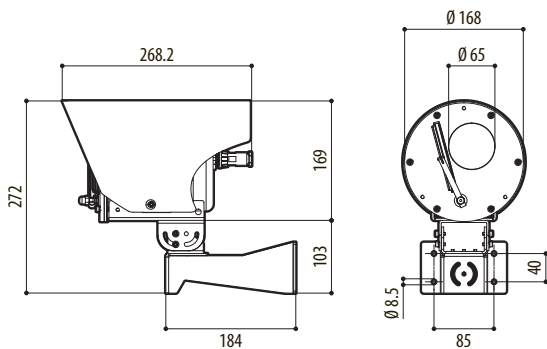


Fig. 45 NVX, fissaggio a parete.

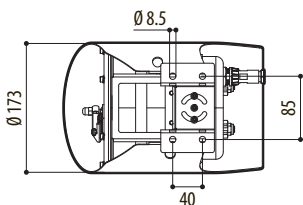
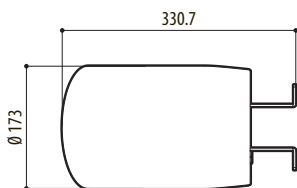
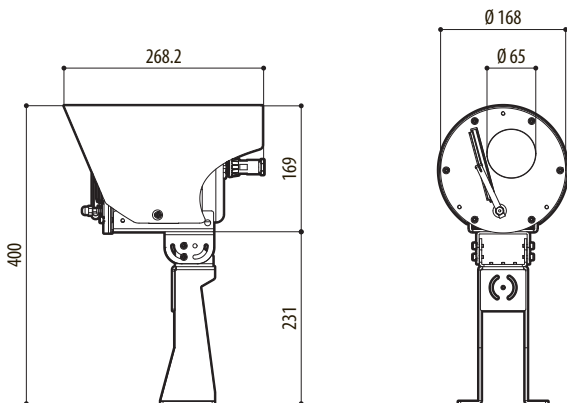


Fig. 46 NVX, fissaggio a parapetto.



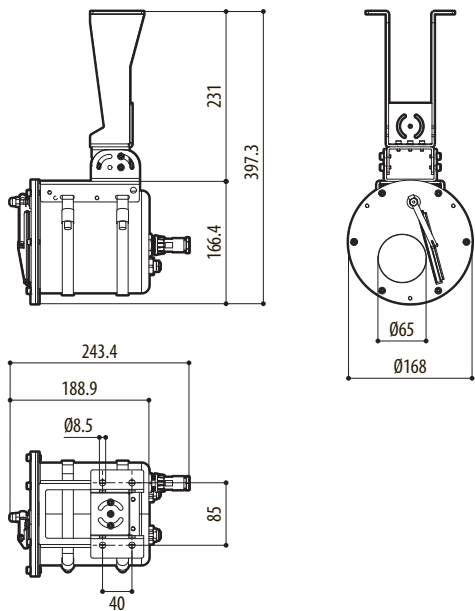


Fig. 47 NVX, fissaggio a soffitto.

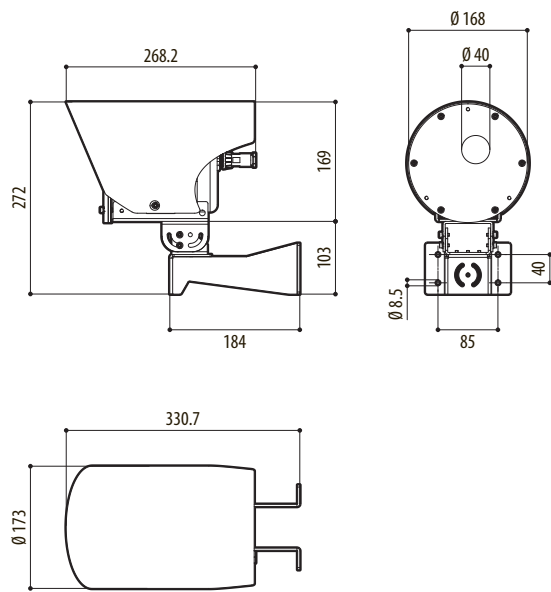


Fig. 48 NTX, fissaggio a parete.

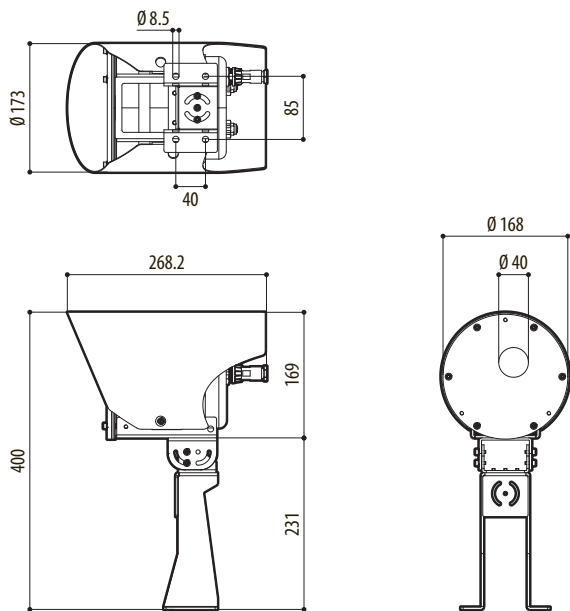


Fig. 49 NTX, fissaggio a parapetto.

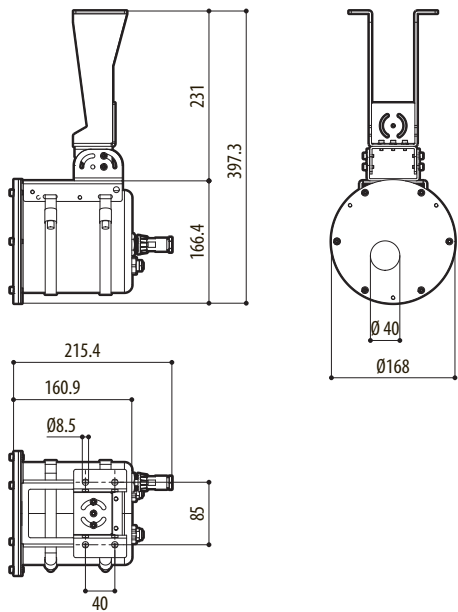


Fig. 50 NTX, fissaggio a soffitto.



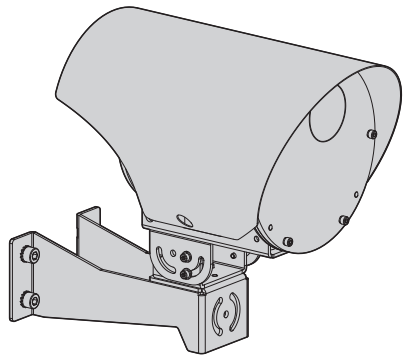
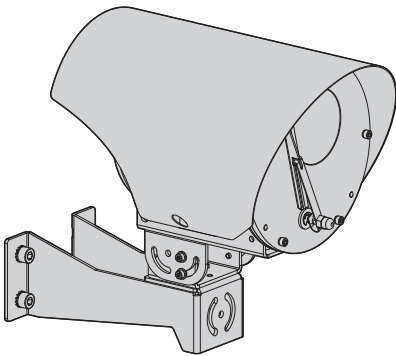
Headquarters Italy Videotec s.r.l.
Via Friuli, 6 - I-36015 Schio (VI) - Italy
Tel. +39 0445 697411 - Fax +39 0445 697414
Email: info@videotec.com
www.videotec.com

MNVCNVX_2222_IT



NVX NTX

Caméra en acier inox



Sommaire

1 À propos de ce mode d'emploi	7
1.1 Conventions typographiques	7
2 Notes sur le copyright et informations sur les marques de commerce	7
3 Note sur la sécurité des données.....	7
3.1 Introduction	7
4 Normes de sécurité.....	8
5 Identification.....	10
5.1 Description et désignation du produit.....	10
5.1.1 NVX	10
5.1.2 NTX.....	10
5.2 Vue d'ensemble du produit	10
5.3 Marquage du produit.....	11
5.3.1 Contrôle du marquage	11
6 Versions	11
6.1 NVX.....	11
6.1.1 Version avec essuie-glace intégré.....	11
6.1.2 Version sans essuie-glace.....	11
6.1.3 Caméra Day/Night.....	11
6.1.4 VIDEOTEC ANALYTICS	11
6.2 NTX	11
6.2.1 Fenêtre en germanium	11
6.3 Identification du modèle	12
7 Préparation du produit en vue de l'utilisation.....	13
7.1 Déballage	13
7.2 Élimination sans danger des matériaux d'emballage	13
7.3 Contenu	13
7.4 Opérations à effectuer avant l'installation	14
7.4.1 Montage au mur, au parapet ou au plafond.....	14
7.4.2 Options d'installation	16
8 Installation	18
8.1 Mise à la terre fonctionnelle.....	18
8.2 Câblage des connecteurs rapides	18
8.2.1 Câblage des connecteurs souples (alimentation, I/O).....	19
8.2.2 Branchement des relais	20
8.2.3 Câblage du connecteur souple (Ethernet, PoE+).....	21
8.2.4 Branchement du câble de réseau Ethernet.....	22
9 Allumage	22
10 Configuration.....	23
10.1 Adresse IP par défaut.....	23
10.2 Interface web.....	23
10.2.1 Premier accès aux pages web	23

11 Accessoires et supports.....	23
11.1 Système de lavage.....	23
11.2 Bride de support pour projecteur LED.....	24
11.3 Projecteur à LED.....	24
11.4 Adaptateur de fixation d'angle.....	24
11.5 Collier de fixation sur poteau.....	24
11.6 Contre-plaque.....	25
11.7 Double toit face avant pour la protection contre la poussière.....	25
12 Entretien.....	25
12.1 Dépose du toit.....	25
12.2 Ouverture et fermeture de la caméra.....	26
12.3 Description de la carte de la caméra.....	26
12.4 Substitution du fusible.....	27
12.5 Factory Default.....	27
12.5.1 Factory Default, NVX (version avec essuie-glace), NTX.....	27
12.5.2 Factory Default, NVX (version sans essuie-glace).....	27
13 Nettoyage.....	28
13.1 Propreté de la fenêtre.....	28
13.2 Nettoyage de la fenêtre en germanium.....	28
14 Informations sur l'élimination et le recyclage.....	28
15 Données techniques.....	29
15.1 NVX.....	29
15.1.1 Généralités.....	29
15.1.2 Mécanique.....	29
15.1.3 Fenêtres pour caméra.....	29
15.1.4 Électrique.....	29
15.1.5 Réseau.....	29
15.1.6 Vidéo.....	29
15.1.7 Interface I/O.....	29
15.1.8 Caméras.....	30
15.1.9 Environnement.....	31
15.1.10 Certifications.....	31
15.1.11 Certifications - Applications ferroviaires.....	31
15.1.12 Certifications - Applications marines.....	31
15.2 NTX.....	32
15.2.1 Généralités.....	32
15.2.2 Mécanique.....	32
15.2.3 Fenêtres pour caméra.....	32
15.2.4 Électrique.....	32
15.2.5 Réseau.....	32
15.2.6 Vidéo.....	32
15.2.7 Interface I/O.....	32
15.2.8 Caméras.....	33
15.2.9 Environnement.....	35
15.2.10 Certifications.....	35
15.2.11 Certifications - Applications ferroviaires.....	35

15.2.12 Certifications - Applications marines.....	35
16 Dessins techniques.....	36

1 À propos de ce mode d'emploi

Avant d'installer et d'utiliser ce produit, lire attentivement toute la documentation fournie. Garder le manuel à portée de main pour des consultations successives.

1.1 Conventions typographiques



DANGER!

Risque élevé.

Risque de choc électrique. Sauf indication contraire, sectionner l'alimentation avant de procéder à toute opération.



DANGER!

Danger mécanique.

Risque d'écrasement ou de cisaillement.



DANGER!

Surface à température élevée.

Évitez le contact. La température des surfaces est élevée et leur contact peut provoquer des blessures corporelles.



ATTENTION!

Risque moyen.

Opération extrêmement importante en vue d'un fonctionnement correct du système. Lire avec attention les opérations indiquées et s'y conformer rigoureusement.



REMARQUE

Description des caractéristiques du système.

Il est conseillé de procéder à une lecture attentive pour une meilleure compréhension des phases suivantes.

2 Notes sur le copyright et informations sur les marques de commerce

Les noms de produit ou de sociétés cités sont des marques de commerce ou des marques de commerce enregistrées.

Microsoft Edge®, Windows XP®, Windows Vista®, Windows 7®, Windows 8®, Windows 10® sont la propriété de Microsoft Corporation.

Google Chrome® est une marque enregistrée de Google LLC.

Mozilla Firefox® est une marque enregistrée de Mozilla Foundation.

INTEL® Core™ 2 Duo, INTEL® Core™ 2 Quad, INTEL® Xeon® sont la propriété d'Intel Corporation.

ONVIF® est une marque enregistrée d'Onvif, Inc.

3 Note sur la sécurité des données

3.1 Introduction

VIDEOTEC s.r.l. fabrique des produits destinés à la vidéosurveillance, exclusivement à usage professionnel. Les produits VIDEOTEC s.r.l. peuvent être utilisés en contextes techniques et à des fins très variées, du contrôle de la sécurité urbaine au monitoring de procédés de fabrication en zones à risques, aux applications pour la surveillance et la protection de l'environnement.

Certains de ces usages peuvent entraîner le traitement de données personnelles de la part des utilisateurs d'installations de vidéosurveillance constituées de produits VIDEOTEC s.r.l..

La diversité des scénarii d'application ne permet pas de définir de mesures de sécurité informatique standard programmées par défaut dans les produits, qui puissent être compatibles avec toutes les utilisations et tous les contextes techniques. En particulier, de particulières mesures de sécurité (mesures constituant une norme de secteur dans des dispositifs destinés à un usage non professionnels comprises) pourraient être incompatibles ou inutiles dans certains contextes techniques ou, au contraire, ne pas être suffisantes.

Il est donc indispensable que l'analyse des risques liés aux aspects de sécurité informatique, même en rapport avec les normes locales applicables en matière de protection des données personnelles, soit assurée par un personnel spécialisé, désigné par l'utilisateur final du produit.

L'utilisateur du produit, s'appuyant donc sur un personnel spécialisé en matière de sécurité informatique, devra décider, sous sa propre et exclusive responsabilité, si :

- Activer certaines ou toutes les fonctions de sécurité proposées par le dispositif de VIDEOTEC s.r.l. ;
- Mettre en place des mesures de sécurité différentes au niveau du système ;
- Combiner les deux options.

Ce choix devra être effectué sur la base du contexte technique et normatif spécifique, ainsi que du type de données traitées à travers le système de vidéosurveillance.

Compte tenu de la catégorie de contextes techniques au sein desquels les dispositifs de VIDEOTEC s.r.l. sont spécifiquement utilisés, il est impossible, et cela serait en tout cas déconseillé, que le firmware des dispositifs en question se mette à jour automatiquement via Internet. VIDEOTEC s.r.l. pourra avec le temps délivrer des mises à jour de sécurité pour ses dispositifs, qui devront être installées manuellement par l'utilisateur, toujours de la part d'un personnel spécialisé, en cas d'activation de certaines ou de toutes les fonctions de sécurité fournies par le dispositif. Il appartient à l'utilisateur de se tenir informé par le biais des canaux de communication institutionnelle de VIDEOTEC s.r.l. sur la disponibilité de mises à jour de sécurité du firmware.

4 Normes de sécurité



ATTENTION! Le circuit électrique auquel l'unité est reliée doit être équipé d'un interrupteur de protection bipolaire automatique de 10A max. Cet interrupteur doit être de type Listed. La distance minimale entre les de l'interrupteur de protection contacts doit être de 3mm. L'interrupteur doit être équipé de protection contre le courant de défaut vers la terre (différentiel) et le surintensité (magnétothermique).



ATTENTION! L'installation et l'entretien du dispositif doivent être effectués exclusivement par un personnel technique qualifié.



ATTENTION! L'installation est du type TNV-1. Ne pas la connecter à des circuits SELV.



ATTENTION! Pour assurer la protection contre le risque d'incendie, remplacer les fusibles avec le même type et valeur. Les fusibles doivent être remplacés seulement par un personnel qualifié.

- Le fabricant décline toute responsabilité pour les dommages éventuels dus à une utilisation non appropriée des appareils mentionnés dans ce manuel. On réserve en outre le droit d'en modifier le contenu sans préavis. La documentation contenue dans ce manuel a été rassemblée et vérifiée avec le plus grand soin. Le fabricant, cependant, ne peut assumer aucune responsabilité dérivant de l'emploi de celle là. La même chose vaut pour chaque personne ou société impliquées dans la création et la production de ce manuel.
- Sectionner l'alimentation avant de procéder à toute opération.
- Ne pas utiliser de câbles usés ou endommagés.

- Ne procéder sous aucun prétexte à des modifications ou des connexions non prévues dans ce manuel. L'utilisation d'appareils non adéquats peut comporter des dangers graves pour la sécurité du personnel et de l'installation.
- Utiliser uniquement des pièces de rechange d'origine. Les pièces non d'origine peuvent être source d'incendies, de choc électrique ou autres.
- Avant de procéder à l'installation, contrôler que le matériel fourni correspond à la commande et examiner les étiquettes de marquage (5.3 Marquage du produit, page 11).
- Etant donné que l'utilisateur est responsable du choix de la surface de fixation, le fabricant ne fournit pas dans la livraison les dispositifs de fixation de l'unité à la surface. L'installateur est responsable de choisir des dispositifs adaptés à la surface à disposition. Il est conseillé d'utiliser des méthodes et des matériaux en mesure de supporter un poids au moins 4 fois supérieur à celui de l'appareil.
- Choisir une surface d'installation suffisamment résistante et adaptée pour soutenir le poids de l'appareil, en tenant compte des conditions particulières du milieu, comme l'exposition à des vents forts.
- Cet appareil est conçu pour être fixé et relié de manière permanente sur un bâtiment ou une structure adéquate. L'appareil doit être fixé et relié de manière permanente avant d'effectuer toute opération.
- Avant d'alimenter l'appareil, s'assurer qu'il est solidement fixé.
- Les matériels sont destinés à être installés dans des **EMPLACEMENTS À ACCÈS RESTREINT**.
- Manipulez le produit avec soin pour éviter les contacts accidentels, les arêtes et les angles coupants.
- L'isolation principale doit être effectuée à l'extérieur du produit par l'intermédiaire d'un transformateur de sécurité et / ou d'un alimentateur à tension continue isolée.
- Pour alimenter le produit, utiliser un transformateur de sécurité et / ou un alimentateur isolé à tension continue ayant les caractéristiques adéquates. Les caractéristiques d'alimentation en sortie ne doivent pas dépasser les valeurs indiquées ci-après. Tension d'alimentation: 24Vac ($\pm 10\%$) ou 24Vdc ($\pm 5\%$).
- L'installation électrique doit être équipée d'un sectionneur de réseau facile à reconnaître et à utiliser en cas de nécessité.
- Pour les interventions de l'assistance techniques, s'adresser exclusivement à du personnel technique agréé.
- Utilisez des moyens de protection individuels adéquats lors de l'installation.
- Il faut respecter les législations nationales pour l'installation du dispositif.
- Ce produit appartient à la Classe A. Dans un milieu résidentiel ce produit peut être la cause de radioperturbations. Dans ce cas il est préférable de prendre des mesures appropriées.
- Raccorder le système à une source d'alimentation conforme à celle figurant sur l'étiquette de marquage du produit. Avant de procéder à l'installation, vérifier que la ligne électrique est sectionnée.
- Pour être conforme aux règlements sur les chutes et les coupures de tension d'alimentation, veuillez utiliser un onduleur (UPS) approprié pour alimenter l'appareil.
- Raccordez le dispositif à l'alimentation sur secteur en 24Vac, 24Vdc ou, dans le cas de modèles sans carte pour l'analyse vidéo, à un équipement de source d'alimentation (PSE, Power Sourcing Equipment) conforme à la norme IEEE 802.3at (PoE+).
- En cas d'alimentation à 24 Vac, une coupure appropriée de la ligne d'alimentation AC doit être prévue, en fournissant une isolation double ou renforcée entre la ligne d'alimentation principale et le circuit secondaire.

5 Identification

5.1 Description et désignation du produit

5.1.1 NVX

NVX est une caméra IP Full HD Super low-light aux propriétés anticorrosion supérieures.

La caméra NVX est entièrement fabriquée en acier inoxydable AISI 316L et se distingue par sa conception compacte, son poids léger et ses connecteurs rapides qui en facilite l'installation et l'entretien.

Le support modulaire pour le montage au mur, au plafond ou au parapet est de série.

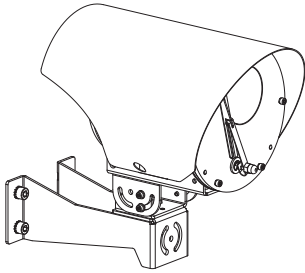


Fig. 1 NVX.

5.1.2 NTX

NTX est une caméra IP aux propriétés anticorrosion supérieures.

La caméra thermique offre une solution pour la vision, même dans le noir le plus total, le brouillard, la pluie, la fumée, ou pour les grandes distances.

La fenêtre au germanium a un traitement extérieur anti-rayures, anti-reflet, Hard Carbon Coating (DLC), et interne anti-reflet; la gamme spectrale est de 7,5 μ m à 14 μ m.

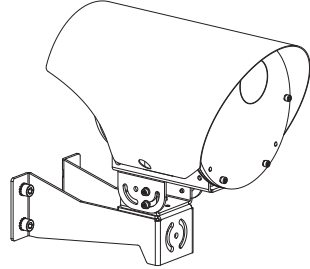


Fig. 2 NTX.

5.2 Vue d'ensemble du produit

Les principaux composants du produit sont décrits ci-dessous.

1. Support de fixation.
2. Support de rotation.
3. Support de la caméra.
4. Double toit.
5. Caméra.

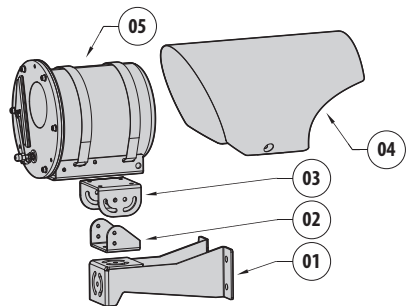


Fig. 3

5.3 Marquage du produit

Voir l'étiquette positionné sur le produit.

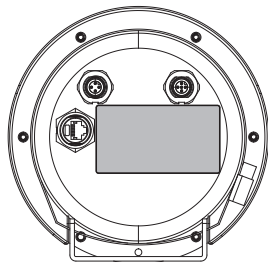


Fig. 4

L'étiquette indique:

- Code d'identification du modèle.
- Tension d'alimentation (V).
- Fréquence (Hz).
- Courant max (A).
- Numéro de série.

5.3.1 Contrôle du marquage

Avant de procéder à l'installation, contrôler que le matériel fourni correspond à la commande et examiner les étiquettes de marquage.

Ne procéder sous aucun prétexte à des modifications ou des connexions non prévues dans ce manuel. L'utilisation d'appareils non adéquats peut comporter des dangers graves pour la sécurité du personnel et de l'installation.

6 Versions

6.1 NVX

6.1.1 Version avec essuie-glace intégré

Le produit est fourni avec un essuie-glace intégré, en version standard.

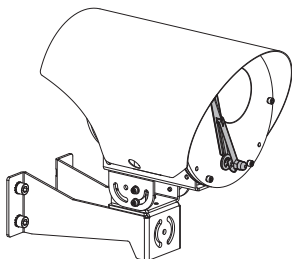


Fig. 5

6.1.2 Version sans essuie-glace

Une version simplifiée du produit existe, sans essuie-glace.

Le produit existe dans une version avec une fenêtre en verre et une version avec une fenêtre en polycarbonate.

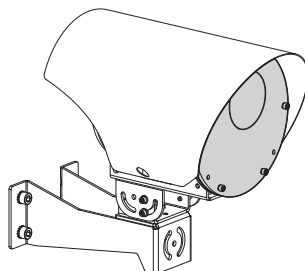


Fig. 6

6.1.3 Caméra Day/Night

Cette version du produit est équipée d'une caméra Day/Night Full HD.

6.1.4 VIDEOTEC ANALYTICS

Cette version du produit comprend la fonction d'analyse vidéo VIDEOTEC Analytics.

6.2 NTX

6.2.1 Fenêtre en germanium

La version équipé d'une fenêtre au germanium, est prévue pour protéger les caméras thermiques des agressions climatiques extérieures.

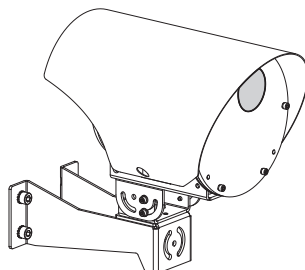


Fig. 7

6.3 Identification du modèle

NVX - CHOIX DES CONFIGURATIONS								
	Tension	Caméra	Versions	Analyses vidéo	Révision			
NVX	2 24Vac/24Vdc/PoE+	10 Caméra à très faible luminosité jour/nuit, FULL HD 1080p, 30x, de technologie DELUX	W Avec essuie-glace	00 Sans fonctions de analyses vidéo intégrées (sans VIDEOTEC ANALYTICS)	A Conforme à ONVIF, Profil Q, Profil S et Profil T			
		20 Caméra SONY FCB-EV7520, FULL HD 1080p, 30x	S Sans essuie- glace/Fenêtre en verre	01 Avec fonctions de analyses vidéo intégrées (VIDEOTEC ANALYTICS)	J Conforme à ONVIF, Profil S et Profil T			
			P Sans essuie- glace/Fenêtre en polycarbonate					

Tab. 1 NVX.

NTX - CHOIX DES CONFIGURATIONS								
	Tension	Caméra	Radiométrie	Version				Fréquence caméra thermique
NTX	2 24Vac/24Vdc/PoE+	D Caméra thermique 35mm, 640x512	O Caméra thermique avec fonctions radiométriques	R Fenêtre en germanium	0	0	A	- 7.5Hz
		E Caméra thermique 25mm, 640x512	R Caméra thermique avec fonctions radiométriques avancées					H 30Hz
		U Caméra thermique 19mm, 640x512						
		G Caméra thermique 13mm, 640x512						
		H Caméra thermique 9mm, 640x512						
		I Caméra thermique 35mm, 336x256						
		L Caméra thermique 25mm, 336x256						
		Z Caméra thermique 19mm, 336x256						
		M Caméra thermique 13mm, 336x256						
		Q Caméra thermique 9mm, 336x256						

Tab. 2 NTX.

7 Préparation du produit en vue de l'utilisation



Toute modification non approuvée expressément par le fabricant entraînera l'annulation de la garantie.

7.1 Déballage

Lors de la livraison du produit, vérifier que l'emballage est en bon état et l'absence de tout signe évident de chute ou d'abrasion.

En cas de dommages évidents, contacter immédiatement le fournisseur.

En cas de retour du produit défectueux, il est conseillé d'utiliser l'emballage original pour le transport.

Conserver l'emballage en cas de nécessité d'expédition du produit pour réparation.

7.2 Élimination sans danger des matériaux d'emballage

Le matériel d'emballage est entièrement composé de matériaux recyclables. Le technicien chargé de l'installation est tenu de l'éliminer conformément aux dispositions en matière de collecte sélective et selon les normes en vigueur dans le pays d'utilisation.

7.3 Contenu

Contrôler que le contenu correspond à la liste matériel indiquée ci-dessous:

- Caméra
- Support de fixation
- Support de rotation
- Support de la caméra
- Double toit
- Dotation:
 - Connecteurs rapides et bouchons
 - Manuel d'instructions
 - Vis (version avec essuie-glace)
 - Support pour système lave-vitre (version avec essuie-glace)
 - Gicleur pour système lave-vitre (version avec essuie-glace)
 - Collier (version avec essuie-glace)
- Fourniture de support:
 - Clé Allen
 - Vis

7.4 Opérations à effectuer avant l'installation

! **ATTENTION! L'installation et l'entretien du dispositif doivent être effectués exclusivement par un personnel technique qualifié.**

! **Effectuer l'installation en utilisant des outils adéquats. Le lieu dans lequel le dispositif est installé peut toutefois exiger l'utilisation d'outils spécifiques.**

! **Le produit doit être fixé à l'aide des moyens appropriés. Les moyens de fixation doivent garantir l'étanchéité mécanique et appliquer une force égale au moins à 4 fois le poids total de l'appareil.**

! **Choisir une surface d'installation suffisamment résistante et adaptée pour soutenir le poids de l'appareil, en tenant compte des conditions particulières du milieu, comme l'exposition à des vents forts.**

! **Installer l'appareil de façon à éviter les accidents causés par le contact avec des parties en mouvement, en faisant en sorte que ces parties ne se heurtent pas à d'autres objets, créant des situations dangereuses.**

! **Avant d'alimenter l'appareil, s'assurer qu'il est solidement fixé.**

! **Pour l'assistance techniques, s'adresser exclusivement à du personnel technique agréé.**

i **Etant donné que l'utilisateur est responsable du choix de la surface de fixation, le fabricant ne fournit pas dans la livraison les dispositifs de fixation de l'unité à la surface. L'installateur est donc responsable de choisir des dispositifs adaptés à la surface à disposition.**

7.4.1 Montage au mur, au parapet ou au plafond

Le produit peut être installé au mur, au parapet ou au plafond.

Fixez le support de fixation (01) sur la surface de destination finale.

Assemblez le support de la caméra (03) sur la caméra avec les quatre vis M5 et les rondelles fournies. Fixez l'élément rotatif (02) sur le support de fixation (01) et sur le support de la caméra (03) à l'aide de sept vis M5 et des rondelles fournies. Après avoir défini la position finale du produit, serrez au couple les vis M5.

! **Faire attention pendant la fixation. Couple de serrage: 4.5Nm (± 0.5 Nm).**

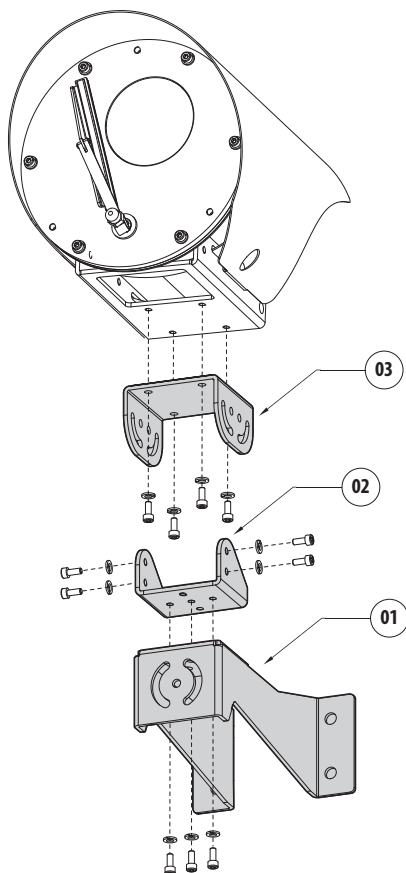


Fig. 8 Fixation murale.

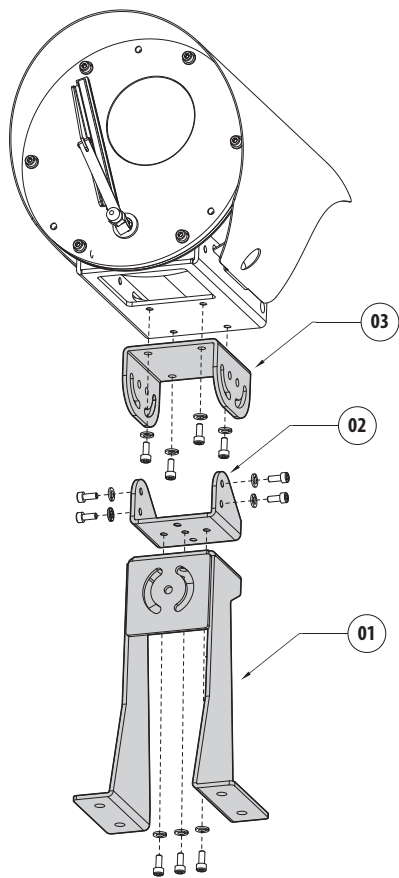


Fig. 9 Fixation sur parapet.

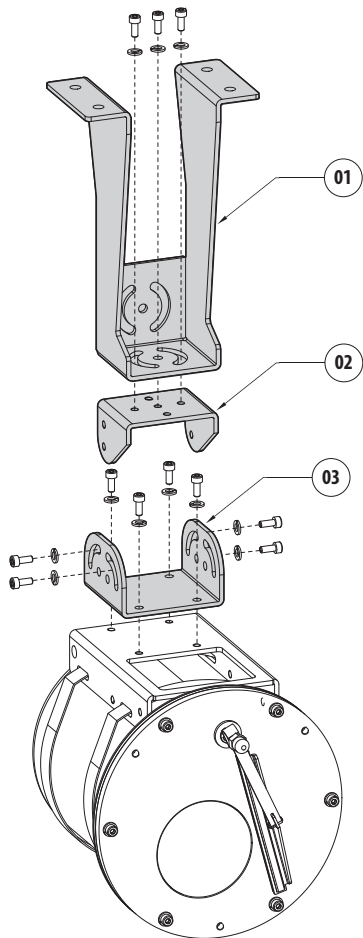


Fig. 10 Fixation au plafond.

i Pour l'installation au plafond, le toit pare-soleil doit être démonté.

7.4.2 Options d'installation

Le produit peut être installé dans les positions décrites ci-dessous.

La plage d'inclinaison verticale de la caméra est de -90° jusqu'à 0° .

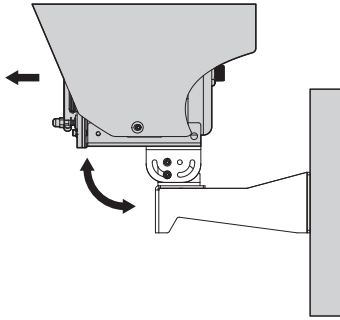


Fig. 11 Exemple d'installation murale, rotation verticale, 0° .

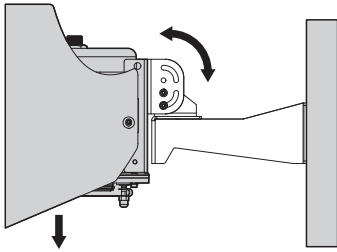


Fig. 12 Exemple d'installation murale, rotation verticale, -90° .

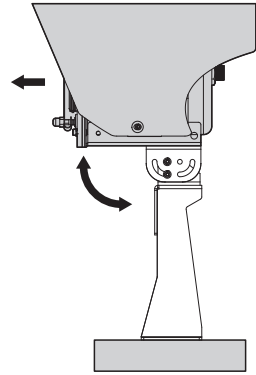


Fig. 13 Exemple d'installation sur parapet, rotation verticale, 0° .

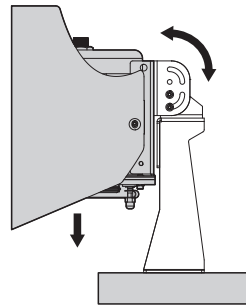


Fig. 14 Exemple d'installation sur parapet, rotation verticale, -90° .



L'option d'installation au plafond nécessite de retirer le toit pare-soleil.

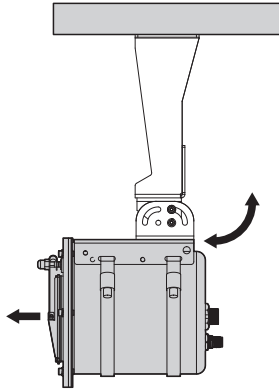


Fig. 15 Exemple d'installation au plafond, rotation verticale, 0°.

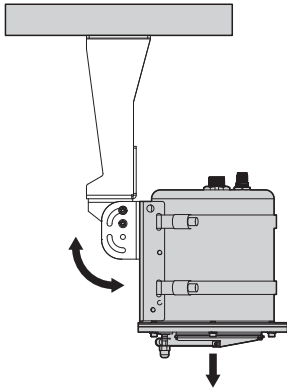


Fig. 16 Exemple d'installation au plafond, rotation verticale, -90°.

Le produit peut être fixé avec une chaîne ou un fil métallique afin d'éviter la chute de la caméra en cas d'affaissement du support. À cet effet le trou peut être utilisé comme illustré en figure (Fig. 17, page 17).

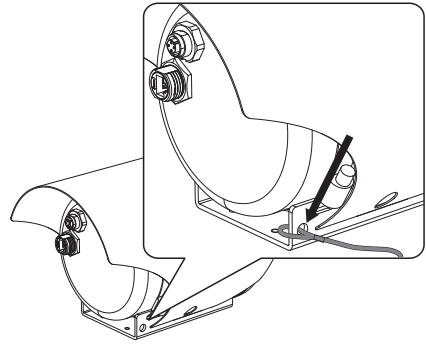


Fig. 17

8 Installation



ATTENTION! Le circuit électrique auquel l'unité est reliée doit être équipé d'un interrupteur de protection bipolaire automatique de 10A max. La distance minimale entre les de l'interrupteur de protection contacts doit être de 3mm. L'interrupteur doit être équipé de protection contre le courant de défaut vers la terre (différentiel) et le surintensité (magnétothermique).



Il faut effectuer les connexions électriques en absence d'alimentation et lorsque le dispositif de sectionnement ouvert.



L'installation électrique doit être équipée d'un sectionneur de réseau facile à reconnaître et à utiliser en cas de nécessité.



Isolez électriquement tous les fils non raccordés.



VIDEOTEC conseille de tester la configuration et les performances de l'appareils avant de placer celui-ci sur le lieu d'installation définitive.

8.1 Mise à la terre fonctionnelle



Si l'unité est alimentée par la ligne Ethernet (PoE+) il est recommandé de connecter un câble externe de terre fonctionnelle, vers la terre de l'installation.



Utilisez des câbles aux caractéristiques décrites ci-dessous.

- Section nominale des câbles utilisés: 2.5mm² (14AWG) min.

Installez le câble de terre fonctionnelle comme indiqué dans la figure.

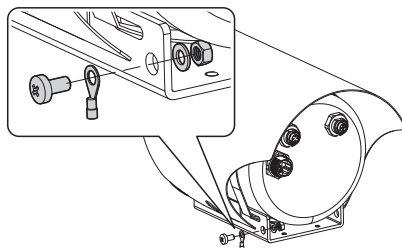


Fig. 18

8.2 Câblage des connecteurs rapides

Le produit est équipé de connecteurs rapides pour faciliter l'installation.

Les connecteurs fixes se trouvent à l'arrière du produit. Le câblage des connecteurs s'effectue du côté du câble (connecteurs souples).

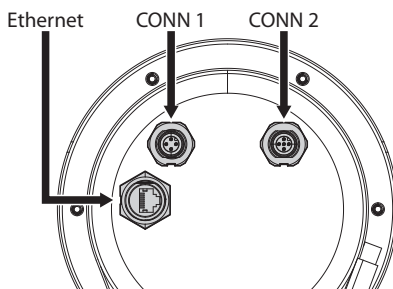


Fig. 19 Vue arrière de la caméra. Connecteurs côté caméra.

Une fois l'installation terminée, insérez les connecteurs souples dans les connecteurs fixes correspondantes à l'arrière du produit.

Si les connecteurs souples ne sont pas utilisés, fixer sur l'arrière du produit les bouchons fournis.

8.2.1 Câblage des connecteurs souples (alimentation, I/O)

! Le dispositif doit être alimenté au moyen d'un réseau à 24Vac ou 24Vdc.

! Branchez le dispositif par le biais de la ligne Ethernet (modèles sans carte pour analyse vidéo) au moyen d'un PSE (Power Sourcing Equipment) conforme à IEEE 802.3at (PoE+).

i La polarité de la tension appliquée aux broches 1 et 2 du connecteur 2 n'est pas pertinente.

i La mise à la terre n'est pas prévue car le produit ne le requiert pas lorsqu'il est alimenté en 24Vac ou 24Vdc.

i Utilisez des câbles aux caractéristiques décrites ci-dessous.

- Section: de 0.14mm² (26AWG) jusqu'à 0.75mm² (18AWG).
- Diamètre total du câble: de 4mm jusqu'à 8mm.
- Longueur (câbles d'alimentation): La section des conducteurs détermine la longueur maximale autorisée pour les câbles. La longueur maximale des câbles selon la section des conducteurs est indiquée dans le tableau suivant.

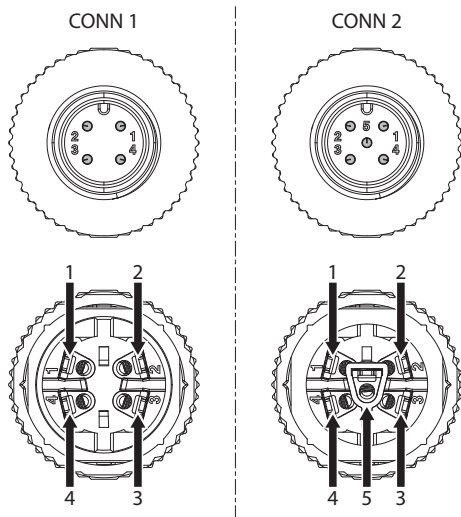


Fig. 20 Vue frontale des broches et de la vue interne des bornes.

LONGUEUR MAXIMUM DES CÂBLES		
Section	Sans carte pour l'analyse vidéo	Avec carte pour l'analyse vidéo
0.34mm ² (22AWG)	20m	15m
0.5mm ² (20AWG)	30m	25m
0.75mm ² (18AWG)	50m	40m

Tab. 5

Câblez le connecteur souple en suivant les opérations suivantes.

Dégainez le câble jusqu'à 18mm maximum. Dénudez les conducteurs jusqu'à 5mm maximum.

Insérez le câble par l'écrou d'étanchéité (01), le joint (02) et le corps du connecteur (03).

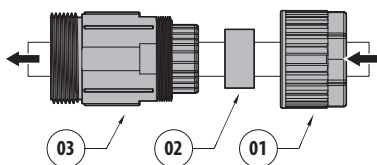


Fig. 21

CONN 1 (CONNECTEUR À 4 PÔLES)	
Número du pin	Fonction
1	Relais de la pompe lave-vitre
2	Relais de la pompe lave-vitre
3	Relais auxiliaire (Relais configurable)
4	Relais auxiliaire (Relais configurable)

Tab. 3

CONN 2 (CONNECTEUR À 5 PÔLES)	
Número du pin	Fonction
1	Alimentation 24Vac/24Vdc
2	
3	Non utilisé
4	Factory Default*
5	

Tab. 4 *Le Factory Default peut être effectué sur les version NVX équipées d'essuie-glace et sur toutes les versions de NTX.

Desserrez les vis sur les bornes (04) à l'avant du connecteur, insérez les conducteurs et fixez-les en serrant les vis. Vissez le corps du connecteur (03) à la frontale avec les bornes (05) en serrant la bague (06).

⚠ Faire attention pendant la fixation. Couple de serrage: de 0.29Nm jusqu'à 0.39Nm.

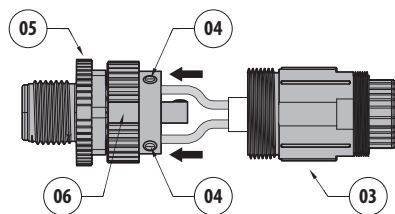


Fig. 22

Insérez le joint (02) dans le logement du corps du connecteur (03). Enfin, fixez l'écrou d'étanchéité (01).

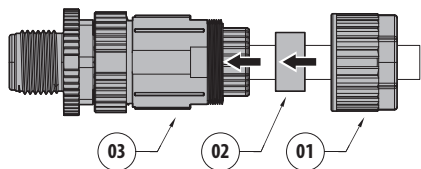


Fig. 23

⚠ Faire attention pendant la fixation. Couple de serrage: de 0.39Nm jusqu'à 0.59Nm.

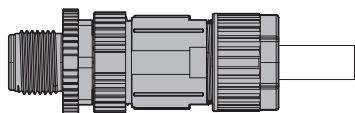


Fig. 24 Assemblage complet.

Avant de fixer les connecteurs souples aux connecteurs correspondants à l'arrière de la caméra, assurez-vous que les TAP coïncident.

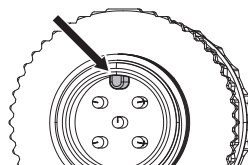


Fig. 25

Attachez le connecteur souple au connecteur fixe et serrez la bague.

8.2.2 Branchement des relais

⚠ Le relais est utilisable avec les spécifications ci-après.

- Tension de travail: jusqu'à 30Vac ou 60Vdc.
- Courant: 1A max.

⚠ Utilisez des câbles aux caractéristiques décrites ci-dessous.

- Section: de 0.14mm² (26AWG) jusqu'à 0.75mm² (18AWG).

Les contacts du relais sont situés dans le connecteur rapide correspondant. Les relais n'ont pas de polarité (Tab. 3, page 19).

8.2.3 Câblage du connecteur souple (Ethernet, PoE+)

! Si le dispositif n'est pas équipé d'une carte pour analyse vidéo, il peut être alimenté par le biais d'un PSE (Power Sourcing Equipment) conforme à IEEE 802.3at (PoE+).

i Utilisez des câbles Ethernet aux caractéristiques décrites ci-dessous.

- Diamètre: de 5mm jusqu'à 6mm.
- Blindage: SF/UTP.
- Catégorie: 5e.
- Longueur: 100m max (PoE+).

Câblez le connecteur souple en suivant les opérations suivantes.

Insérez le câble Ethernet à travers l'écrou d'étanchéité (01), la cage (02), le joint (03) et le corps du connecteur (04).

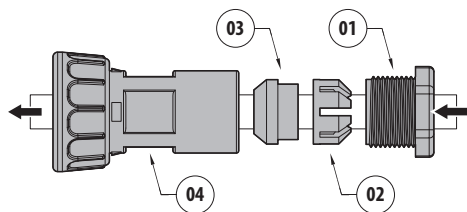


Fig. 26

Sertissez le connecteur RJ45 blindé fourni avec le système.

! Connectez la tresse au connecteur RJ45 blindé.

Effectuer les branchements selon ce qui est décrit dans le tableau (conforme au standard: TIA/EIA-568-B).

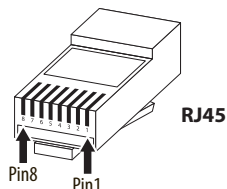


Fig. 27

BRANCHEMENT DU CÂBLE DE RÉSEAU ETHERNET	
Numéro du pin	Couleur du câble
1	Orange-Blanc
2	Orange
3	Vert-Blanc
4	Bleue
5	Bleue-Blanc
6	Vert
7	Marron-Blanc
8	Marron

Tab. 6

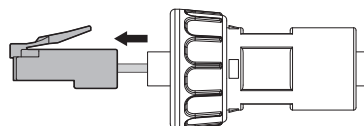


Fig. 28

Tirez légèrement sur le câble Ethernet (05) jusqu'à ce que le connecteur RJ45 (06) soit complètement inséré dans le corps du connecteur souple.

Après avoir inséré la cage et le joint, serrez l'écrou d'étanchéité (07).

⚠ **Faire attention pendant la fixation. Couple de serrage: De 0.9Nm jusqu'à 1Nm.**

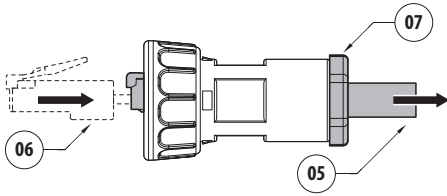


Fig. 29

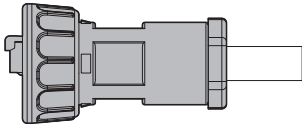


Fig. 30 Assemblage complet.

Attachez le connecteur souple au connecteur fixe et serrez la bague.

8.2.4 Branchement du câble de réseau Ethernet

i La tresse du câble Ethernet du côté utilisateur doit toujours être connectée à la terre. Utilisez un connecteur RJ45 blindé. Connectez la tresse au connecteur RJ45 blindé.

Le produit peut être branché directement à un commutateur Ethernet.

Une installation type est représentée ci-dessus.

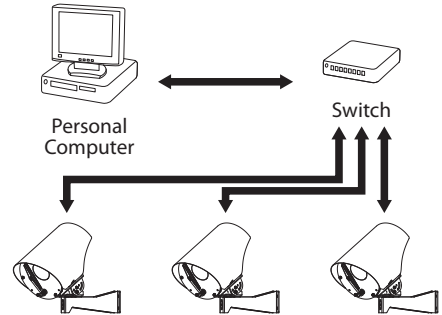


Fig. 31

9 Allumage

⚡ S'assurer que l'unité et les autres composants de l'installation soient fermés de façon à empêcher le contact avec les composants sous tension.

⚠ Ne pas stationner à proximité du dispositif sous tension. N'intervenir sur le dispositif qu'avec l'alimentation coupée.

i La procédure de préchauffage automatique (De-Ice) peut être activée chaque fois que le dispositif est mis en fonction à une température ambiante inférieure à -10°C . La procédure permet de garantir un fonctionnement correct du dispositif également à basse température. Durée de la procédure de préchauffage: 60 minutes.

Il suffit de brancher l'alimentation électrique pour allumer l'unité.

Débrancher l'alimentation électrique pour éteindre l'unité.

10 Configuration

10.1 Adresse IP par défaut

i L'appareil est configuré pour obtenir l'adresse IP depuis un serveur DHCP.

L'adresse IP acquise via DHCP est visible dans le fichier journal du serveur DHCP.

En cas d'indisponibilité du serveur DHCP, l'appareil se configure automatiquement avec une adresse IP autogénérée dans le sous-réseau 169.254.x.x/16. Configurez l'adresse IP du PC comme appartenant au même sous-réseau (exemple: adresse IP: 169.254.1.1, subnet mask: 255.255.0.0).

Pour rechercher l'adresse IP du dispositif, utiliser un VMS compatible ONVIF ou un renifleur de réseau (IP scan utility).

10.2 Interface web

i Logiciels de navigation supportés (la dernière version): Microsoft Edge, Google Chrome, Mozilla Firefox.

10.2.1 Premier accès aux pages web

La première opération pour configurer le dispositif consiste en la connexion à son interface web.

Pour accéder à l'interface Web du produit, il suffit de se connecter avec un navigateur à l'adresse : http://indirizzo_ip.

La page d'accueil sera affichée au premier accès.

i Pour la configuration de l'interface web, veuillez vous reporter au manuel d'instruction relatif à la version du firmware installé, disponible sur la page web du produit sur www.videotec.com.

11 Accessoires et supports

i Pour de plus amples informations sur la configuration et l'utilisation, consulter le manuel de l'accessoire correspondant.

11.1 Système de lavage

Le produit, s'il est équipé d'un essuie-glace, peut être muni d'une pompe externe qui envoie l'eau pour nettoyer la vitre.

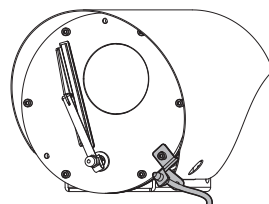


Fig. 32

Pour terminer l'installation de l'installation de lavage, utilisez le kit fourni avec la caméra.

Insérez la tête du gicleur (01) sur le support (02) en serrant l'écrou (03).

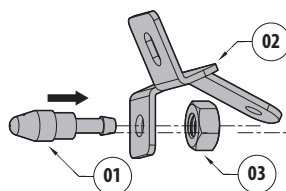


Fig. 33

Fixez le gicleur et le support assemblés au moyen de l'un des trous accessoires (01) présents à l'avant du caisson. Serrez la vis et la rondelle (02). Insérez le tuyau d'alimentation dans le gicleur (03). Fixez le tuyau d'alimentation au support à l'aide d'un collier (04).

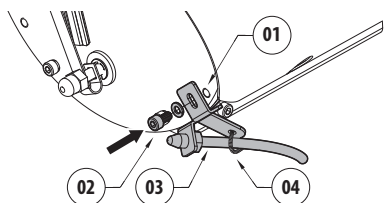


Fig. 34

11.2 Bride de support pour projecteur LED

Pour installer le projecteur à LED VIDEOTEC GEKO IRH, vous pouvez équiper l'appareil d'une bride de support.

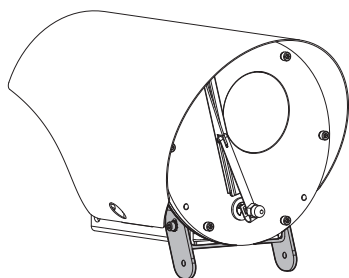


Fig. 35 NVXIRBKT.

11.3 Projecteur à LED

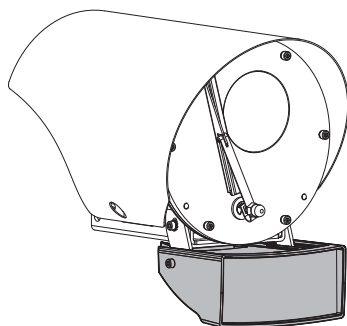


Fig. 36 GEKO IRH.

11.4 Adaptateur de fixation d'angle

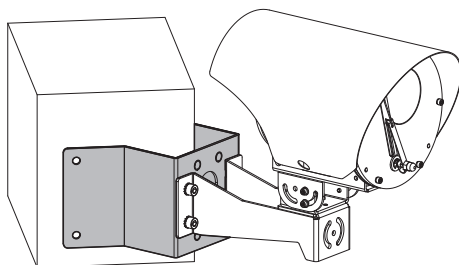


Fig. 37 UEAC.

11.5 Collier de fixation sur poteau

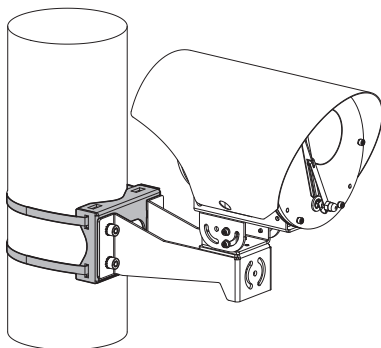


Fig. 38 UEAP.

11.6 Contre-plaque

La contre-plaque peut servir pour le montage au mur ou au plafond, et pour des applications avec une goulotte. Les quatre trous avec entre-axes élargi offrent une plus grande résistance mécanique.

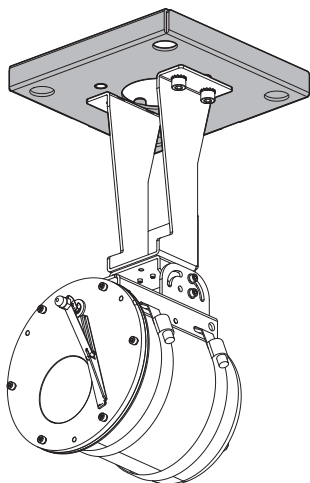


Fig. 39 UEA.W.

11.7 Double toit face avant pour la protection contre la poussière

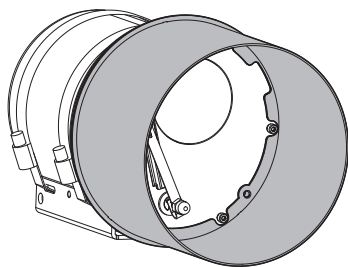


Fig. 40 NVXTUB.

12 Entretien

⚠ Sectionner l'alimentation électrique avant toute intervention technique sur l'appareil.

⚠ ATTENTION! L'installation et l'entretien du dispositif doivent être effectués exclusivement par un personnel technique qualifié.

12.1 Dépose du toit

Le produit est fourni avec le toit pare-soleil déjà installé.

Le toit pare-soleil peut être démonté pour les besoins de l'installation ou la maintenance. Dévissez les vis du toit pare-soleil et retirez-le.

Remontez-le avant de fixer la caméra sur le support de la camera.

⚠ Faire attention pendant la fixation. Couple de serrage: 4Nm (±0.5Nm).

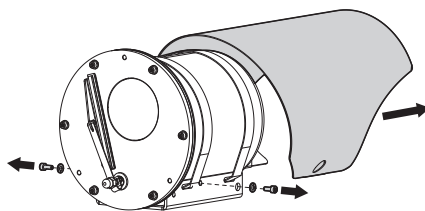


Fig. 41

12.2 Ouverture et fermeture de la caméra

Pour effectuer certaines opérations de maintenance, vous devez ouvrir la caméra.



Faites glisser délicatement la glissière frontale. Veillez à ne pas endommager les câbles de connexion internes.

Dévissez les vis de fermeture et retirez la glissière reliée à l'avant de la caméra.

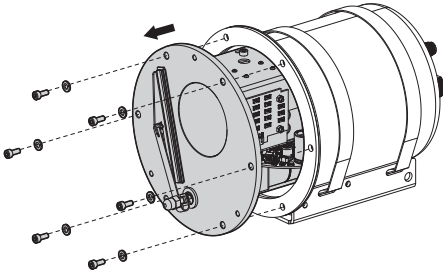


Fig. 42

Pour fermer la caméra, suivre la procédure en sens inverse.



Faire attention pendant la fixation. Couple de serrage: 4.5Nm (± 0.5 Nm).

12.3 Description de la carte de la caméra

DESCRIPTION DE LA CARTE

Connecteur/ Borne	Fonction
F1	Fusible
SW1	DIP switch de réinitialisation

Tab. 7

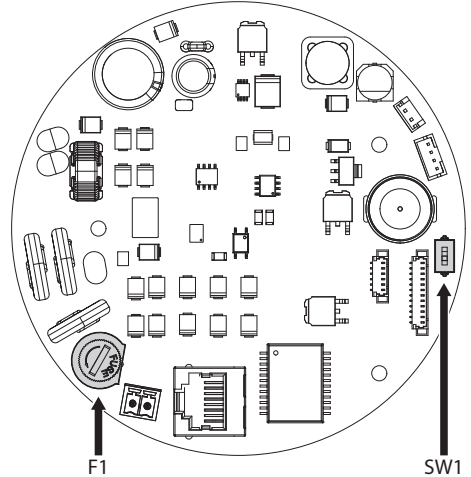


Fig. 43

12.4 Substitution du fusible

⚠ ATTENTION! Pour assurer la protection contre le risque d'incendie, remplacer les fusibles avec le même type et valeur. Les fusibles doivent être remplacés seulement par un personnel qualifié.

En cas de besoin, on peut remplacer le fusible de la carte connecteurs. Le nouveau fusible devra respecter les indications fournies dans le tableau.

REPLACEMENT DES FUSIBLES	
Tension	Fusible F1
24Vac, 50/60Hz	T 2A H 250V 5x20
24Vdc	

Tab. 8

À la place, utiliser des fusibles homologués possédant des caractéristiques identiques.

Pour remplacer le fusible, la caméra doit être ouverte. (12.2 Ouverture et fermeture de la caméra, page 26).

Localisez le fusible à remplacer.

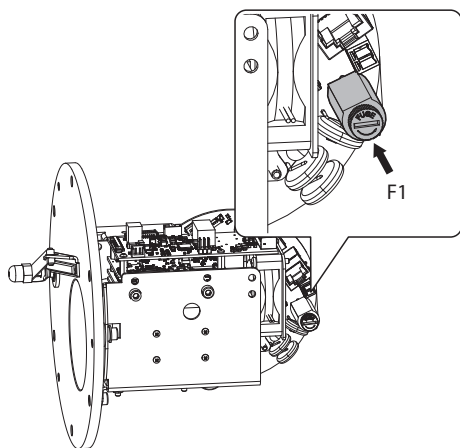


Fig. 44

12.5 Factory Default

i Une fois la procédure de standard usine terminée, il faut configurer l'unité selon la description du chapitre correspondant (10.1 Adresse IP par défaut, page 23).

12.5.1 Factory Default, NVX (version avec essuie-glace), NTX

- Couper l'alimentation à l'unité.
- Court-circuitez les bornes 4 et 5 de CONN 2 (ou ses conducteurs, Tab. 4, page 19).
- Allumer l'unité. Attendre 2 minutes.
- Couper l'alimentation à l'unité.
- Supprimez le court-circuit.
- Allumer l'unité.

12.5.2 Factory Default, NVX (version sans essuie-glace)

Il est possible d'effectuer le rétablissement des programmations d'usine. Effectuer la procédure suivante:

- Couper l'alimentation à l'unité.
- Ouvrir la caméra (12.2 Ouverture et fermeture de la caméra, page 26).
- Localisez le DIP switch de réinitialisation (SW1, 12.3 Description de la carte de la caméra, page 26).
- Programmer sur ON le commutateur de réinitialisation.
- Allumer l'unité. Attendre 2 minutes.
- Couper l'alimentation à l'unité.
- Programmer sur OFF le commutateur de réinitialisation.
- Réinsérer la glissière et fermer la caméra. Veillez surtout à ne pas endommager les câbles internes lors de la fermeture.
- Allumer l'unité.

13 Nettoyage



La fréquence des interventions dépend du type d'environnement dans lequel le caisson est utilisé.

13.1 Propreté de la fenêtre



On doit éviter alcool éthylique, solvants, hydrocarbures hydro-génés, acides forts et alcali. L'emploi de ce type de produits abîme d'une façon irréparable la surface traitée.

Il est conseillé d'utiliser un chiffon souple avec des savons neutres dilués avec de l'eau ou des produits spécifiques pour le nettoyage des verres des lunettes.

13.2 Nettoyage de la fenêtre en germanium



On doit éviter alcool éthylique, solvants, hydrocarbures hydro-génés, acides forts et alcali. L'emploi de ce type de produits abîme d'une façon irréparable la surface traitée.



Nettoyer la fenêtre en ayant soin de ne pas rayer ni érafler l'enduit protecteur de carbone externe. L'endommagement du revêtement risque de compromettre la transparence à l'infrarouge de la surface.

Le nettoyage doit être fait avec du savon neutre dilué avec de l'eau.

14 Informations sur l'élimination et le recyclage

La Directive Européenne 2012/19/UE sur les déchets d'équipements électriques et électroniques (DEEE) exige que ces dispositifs ne doivent pas être éliminés dans le flux normal de déchets solides municipaux, mais ils doivent être collectés séparément afin d'optimiser le flux de récupération et de recyclage des matériaux qu'ils contiennent et pour réduire l'impact sur la santé humaine et l'environnement en raison de la présence de substances potentiellement dangereuses.



Le symbole de la poubelle sur roues barrée d'une croix figure sur tous les produits pour le rappeler.

Les déchets peuvent être livrés aux centres de collecte appropriés ou peuvent être livrés gratuitement au distributeur où vous avez acheté l'équipement, au moment de l'achat d'un nouvel dispositif équivalent ou sans obligation d'achat pour un équipement de taille inférieure de 25cm.

Pour plus d'informations sur l'élimination correcte de ces dispositifs, vous pouvez contacter le service public responsable.

15 Données techniques

15.1 NVX

15.1.1 Généralités

Installation simple par les connecteurs rapides

Configuration rapide

15.1.2 Mécanique

Construction en acier inox AISI 316L

Œillet pour chaîne de sécurité

Poids net:

- 4.9kg (support de fixation inclus)
- 4kg (support de fixation non inclus)

15.1.3 Fenêtres pour caméra

Fenêtre en verre extra-clair

- Épaisseur: 3mm

Fenêtre en polycarbonate (disponible uniquement dans la version sans essuie-glace)

- Épaisseur: 3mm

15.1.4 Électrique

Tension d'alimentation/Courant absorbé:

- 24Vac, 1.32A, 50/60Hz
- 24Vdc, 0.9A
- PoE+ (IEEE 802.3at), non disponible pour version avec VIDEOTEC Analytics

Puissance absorbée

- Versions sans VIDEOTEC Analytics: 21W
- Versions avec VIDEOTEC Analytics: 25.2W

15.1.5 Réseau

Connexion Ethernet: 100 Base-TX

Connecteur: RJ45

15.1.6 Vidéo

Encodeur vidéo

- Protocole de communication: ONVIF, Profil Q Profil S et Profil T
- Configuration du dispositif: TCP/IPv4-IPv6, UDP/IPv4-IPv6, HTTP, HTTPS, NTP, DHCP, WS-DISCOVERY, DSCP, IGMP (Multicast), SOAP, DNS
- Streaming: RTSP, RTCP, RTP/IPv4-IPv6, HTTP, Multicast
- Compression vidéo: H.264/AVC, MJPEG, JPEG, MPEG4
- 3 flux vidéo indépendants Full HD
- Résolution de l'image: de 320x180pixel jusqu'à 1920x1080pixel en 6 étapes
- Frame rate sélectionnable de 1 à 60 images par seconde (fps)
- Serveur Web
- Motion Detection
- Analyses vidéo: VIDEOTEC ANALYTICS (en option)
- QoS: DSCP différenciés pour le streaming et la gestion du périphérique
- Protocoles SNMP et NTCIP

15.1.7 Interface I/O

I/O carte d'alarme (version avec essuie-glace)

- Entrée pour réinitialisation à distance: 1
- Sorties relais: 1+1 (1 relais réservé à la pompe du lave-glace et une configurable, 1A, 30Vac/60Vdc max)

15.1.8 Caméras

Day/Night Full HD 30x DELUX

Résolution: Full HD 1080p (1920x1080)

Capteur d'image: 1/2.8" Exmor™ R CMOS sensor

Pixels effectifs: environ 2.38 Megapixels

Éclairage minimum:

- Couleur: 0.006lx (F1.6, 30 IRE)
- B/W: 0.0006lx (F1.6, 30 IRE)

Longueur focale: de 4.5mm (wide) jusqu'à 135mm (télé)

Zoom: 30x (480x avec le zoom numérique)

Iris: de F1.6 jusqu'à F9.6 (Auto, Manuel)

Angle de vision horizontal: de 61.60° (wide end) jusqu'à 2.50° (tele end)

Angle de vision vertical: de 37.07° (wide end) jusqu'à 1.44° (tele end)

Vitesse d'obturation: de 1/1s jusqu'à 1/10000s (Auto, Manuel)

Équilibrage du blanc: Auto, Manuel

Gain: de 0dB jusqu'à 100dB (Auto, Manuel)

Wide Dynamic Range: 120dB

Système Focus: Auto, Manuel, Trigger

Effets Image: E-flip, Renforcement Couleur

Réduction du bruit: 2D (3 niveaux), 3D (3 niveaux)

Contrôle Exposition: Auto, Manuel, Priorité (Priorité Iris, Priorité Shutter), Luminosité, Custom

De-fog: On/Off

Masquage des zones de confidentialité: maximum 8 masques configurables

Indoor Flicker Reduction

Auto Slowshutter: Off, On (de 1/30s jusqu'à 1/1s)

Compensation exposition: Off, On (de niveau 0 jusqu'à niveau 14)

Netteté: de niveau 0 jusqu'à niveau 3

SONY FCB-EV7520 Day/Night Full HD 30x

Résolution: Full HD 1080p (1920x1080)

Capteur d'image: 1/2.8" Exmor™ R CMOS sensor

Pixels effectifs: environ 2.13 Megapixels

Éclairage minimum:

- Couleur: 0.0013lx (50 IRE, High sensitivity on)
- B/W: 0.0008lx (30 IRE, High sensitivity on)

Longueur focale: de 4.3mm (wide) jusqu'à 129mm (télé)

Zoom: 30x (360x avec le zoom numérique)

Iris: de F1.6 jusqu'à F14 (Auto, Manuel)

Angle de vision horizontal: de 63.7° (wide end) jusqu'à 2.3° (tele end)

Angle de vision vertical: de 38.5° (wide end) jusqu'à 1.3° (tele end)

Vitesse d'obturation: de 1/1s jusqu'à 1/10000s (Auto, Manuel)

Équilibrage du blanc: Auto, Auto Tracing, Indoor, Outdoor, Manuel, Outdoor Auto, Sodium Lamp (Fix/Auto/Outdoor Auto)

Gain: de 0dB jusqu'à 50.0dB (Auto, Manuel)

Wide Dynamic Range: 120dB

Système Focus: Auto (PTZ Trigger, Full Auto), Manuel

Effets Image: E-flip

Réduction du bruit (2D, 3D): Off, On (de niveau 1 jusqu'à niveau 5)

Contrôle Exposition: Auto, Manuel, Priorité (Priorité shutter, Priorité iris, Priorité à la luminosité)

De-fog: Off, Low, Mid, High

Masquage des zones de confidentialité (maximum 8 masques configurables)

Indoor Flicker Reduction

Limite du Gain: de 10.7dB jusqu'à 50dB

High sensitivity: On/Off

Compensation Backlight: On/Off

Auto Slowshutter: On/Off

Compensation exposition: Off, On (de -10.5dB jusqu'à +10.5dB)

Netteté: de niveau 0 jusqu'à niveau 15

High Light Compensation (HLC): Off, Low, Mid, High, Niveau de Masquage (Off, On, de niveau 1 jusqu'à niveau 15)

Stabilisation image digitale: On/Off

15.1.9 Environnement

Installation d'intérieur et d'extérieur

Température de fonctionnement

- Version avec l'alimentation 24Vac ou 24Vdc: de -40°C jusqu'à +65°C (jusqu'à +50°C, pour versions avec VIDEOTEC ANALYTICS)
- Version avec l'alimentation PoE+: de -40°C jusqu'à +60°C
- Essai de température conforme à NEMA-TS 2-2003 (R2008) paragr. 2.1.5.1, profil de test fig. 2-1 (de -34°C jusqu'à +74°C) (non applicable aux versions avec VIDEOTEC Analytics)

Protection contre les impulsions: jusqu'à 1kV entre deux lignes, jusqu'à 2kV entre ligne et terre (Class 3)

Humidité relative: de 5% jusqu'à 95%

15.1.10 Certifications

Sécurité électrique (CE): EN60950-1, IEC60950-1, EN62368-1, IEC62368-1

Compatibilité électromagnétique (CE): EN61000-6-4, EN50130-4, EN55032 (Classe A), FCC Part 15 (Classe A), ICES003

Installation à l'extérieur (CE): EN60950-22, IEC60950-22

Degré de protection IP (EN60529): IP66, IP67, IP68 (2h 30min, 2m), IP69

Certification UL (non applicable aux versions avec VIDEOTEC Analytics): cULus Listed, TYPE 4X, TYPE 6P

Certification EAC

Certification KC (certification valide seulement pour les codes : NVX2xxxxJ)

15.1.11 Certifications - Applications ferroviaires

Les versions avec VIDEOTEC ANALYTICS ne sont pas certifiées pour les applications ferroviaires

Conformité à la norme pour les applications ferroviaires: EN50121-4 (seulement avec l'alimentation 24Vac ou 24Vdc)

15.1.12 Certifications - Applications marines

Les versions avec VIDEOTEC ANALYTICS ne sont pas certifiées pour les applications marines

Lloyd's Register Marine Type Approval

- Test Specification Number 1 (ENV1, ENV2, ENV3, ENV5)

Compatibilité électromagnétique: EN60945

Résistant à la brume saline: EN60068-2-52

Éprouvé à 70°C pendant 16 heures conformément à la norme EN60068-2-2

15.2 NTX

15.2.1 Généralités

Installation simple par les connecteurs rapides

Configuration rapide

15.2.2 Mécanique

Construction en acier inox AISI 316L

Œillet pour chaîne de sécurité

Poids net:

- 4.9kg (support de fixation inclus)
- 4kg (support de fixation non inclus)

15.2.3 Fenêtres pour caméra

Fenêtre en germanium

- Épaisseur: 1.5mm
- Traitement extérieur: antirayures (Hard Carbon Coating - DLC), antireflets
- Traitement intérieur: antireflets
- Réponse spectrale: de 7.5µm jusqu'à 14µm
- Transmittance moyenne (de 7.5µm jusqu'à 11.5µm): 91.2%
- Transmittance moyenne (de 11.5µm jusqu'à 14µm): 80.9%

15.2.4 Électrique

Tension d'alimentation/Courant absorbé:

- 24Vac, 1.32A, 50/60Hz
- 24Vdc, 0.9A
- PoE+ (IEEE 802.3at)

Puissance absorbée: 21W

15.2.5 Réseau

Connexion Ethernet: 100 Base-TX

Connecteur: RJ45

15.2.6 Vidéo

Encodeur vidéo

- Protocole de communication: ONVIF, Profil Q Profil S et Profil T, ONVIF Thermal Service
- Configuration du dispositif: TCP/IPv4-IPV6, UDP/IPv4-IPV6, HTTP, HTTPS, NTP, DHCP, WSDISCOVERY, DSCP, IGMP (Multicast), SOAP, DNS
- Streaming: RTSP, RTCP, RTP/IPv4-IPV6, HTTP, Multicast
- Compression vidéo: H.264/AVC, MJPEG, JPEG, MPEG4
- 3 flux vidéo indépendants
- Résolution de l'image: de 320x180pixel jusqu'à 720x480pixel en 4 étapes
- Frame rate sélectionnable de 1 à 30 images par seconde (fps)
- Serveur Web
- Motion Detection
- QoS: DSCP différenciés pour le streaming et la gestion du périphérique
- Protocoles SNMP et NTCIP

15.2.7 Interface I/O

I/O carte d'alarme

- Entrée pour réinitialisation à distance: 1
- Sortie relais: 1 (1A, 30Vac/60Vdc max)

15.2.8 Caméras

CAMÉRAS THERMIQUES (RÉSOLUTION 336X256)					
	Objectif 9mm	Objectif 13mm	Objectif 19mm	Objectif 25mm	Objectif 35mm
Capteur d'image	Microbolomètre non refroidi VOx	Microbolomètre non refroidi VOx	Microbolomètre non refroidi VOx	Microbolomètre non refroidi VOx	Microbolomètre non refroidi VOx
Résolution interpolée	720x480	720x480	720x480	720x480	720x480
Dimensions pixel	17µm	17µm	17µm	17µm	17µm
Réponse spectrale - Infrarouge onde longue (LWIR)	de 7.5µm à 13.5µm	de 7.5µm à 13.5µm	de 7.5µm à 13.5µm	de 7.5µm à 13.5µm	de 7.5µm à 13.5µm
Obturbateur interne (uniquement pour compensation senseur)	Video stop < 1s	Video stop < 1s	Video stop < 1s	Video stop < 1s	Video stop < 1s
Digital Detail Enhancement (DDE)	✓	✓	✓	✓	✓
Zoom numérique	2x, 4x	2x, 4x	2x, 4x	2x, 4x	2x, 4x
Fréquence de mise à jour d'image	7.5fps	7.5fps	7.5fps	7.5fps	7.5fps
Haut fréquence de mise à jour d'image	30fps	30fps	30fps	30fps	30fps
Gamme scène (High Gain)	-40°C ÷ +160°C	-40°C ÷ +160°C	-40°C ÷ +160°C	-40°C ÷ +160°C	-40°C ÷ +160°C
Gamme scène (Low Gain)	-40°C ÷ +550°C	-40°C ÷ +550°C	-40°C ÷ +550°C	-40°C ÷ +550°C	-40°C ÷ +550°C
Champ de vision horizontal	35°	25°	17°	13°	9,3°
Champ de vision vertical	27°	19°	13°	10°	7,1°
F-number	F/1.25	F/1.25	F/1.25	F/1.1	F/1.2
Sensibilité thermique (NETD), Caméra thermique avec fonctions radiométriques	< 50mK avec f/1.0	< 50mK avec f/1.0	< 50mK avec f/1.0	< 50mK avec f/1.0	< 50mK avec f/1.0
Sensibilité thermique (NETD), Caméra thermique avec fonctions radiométriques avancées	< 30mK avec f/1.0	< 30mK avec f/1.0	< 30mK avec f/1.0	< 30mK avec f/1.0	< 30mK avec f/1.0
Homme (détection / reconnaissance / identification)	285m / 71m / 36m	440m / 112m / 56m	640m / 160m / 80m	930m / 230m / 116m	1280m / 320m / 160m
Véhicule (détection / reconnaissance / identification)	880m / 220m / 108m	1340m / 340m / 170m	1950m / 500m / 250m	2800m / 710m / 360m	3850m / 950m / 295m

L'analyse radiométrique n'affecte pas les performances de la caméra.

CAMÉRAS THERMIQUES (RÉSOLUTION 640X512)					
	Objectif 9mm	Objectif 13mm	Objectif 19mm	Objectif 25mm	Objectif 35mm
Capteur d'image	Microbolomètre non refroidi VOx	Microbolomètre non refroidi VOx	Microbolomètre non refroidi VOx	Microbolomètre non refroidi VOx	Microbolomètre non refroidi VOx
Résolution interpolée	720x480	720x480	720x480	720x480	720x480
Dimensions pixel	17µm	17µm	17µm	17µm	17µm
Réponse spectrale - Infrarouge onde longue (LWIR)	de 7.5µm à 13.5µm	de 7.5µm à 13.5µm	de 7.5µm à 13.5µm	de 7.5µm à 13.5µm	de 7.5µm à 13.5µm
Obturateur interne (uniquement pour compensation senseur)	Video stop < 1s	Video stop < 1s	Video stop < 1s	Video stop < 1s	Video stop < 1s
Digital Detail Enhancement (DDE)	✓	✓	✓	✓	✓
Zoom numérique	2x, 4x, 8x	2x, 4x, 8x	2x, 4x, 8x	2x, 4x, 8x	2x, 4x, 8x
Fréquence de mise à jour d'image	7.5fps	7.5fps	7.5fps	7.5fps	7.5fps
Haut fréquence de mise à jour d'image	30fps	30fps	30fps	30fps	30fps
Gamme scène (High Gain)	-40°C ÷ +160°C	-40°C ÷ +160°C	-40°C ÷ +160°C	-40°C ÷ +160°C	-40°C ÷ +160°C
Gamme scène (Low Gain)	-40°C ÷ +550°C	-40°C ÷ +550°C	-40°C ÷ +550°C	-40°C ÷ +550°C	-40°C ÷ +550°C
Champ de vision horizontal	69°	45°	32°	25°	18°
Champ de vision vertical	56°	37°	26°	20°	14°
F-number	F/1.4	F/1.25	F/1.25	F/1.1	F/1.2
Sensibilité thermique (NETD), Caméra thermique avec fonctions radiométriques	< 50mK avec f/1.0	< 50mK avec f/1.0	< 50mK avec f/1.0	< 50mK avec f/1.0	< 50mK avec f/1.0
Sensibilité thermique (NETD), Caméra thermique avec fonctions radiométriques avancées	< 30mK avec f/1.0	< 30mK avec f/1.0	< 30mK avec f/1.0	< 30mK avec f/1.0	< 30mK avec f/1.0
Homme (détection / reconnaissance / identification)	250m / 63m / 31m	390m / 95m / 47m	570m / 144m / 72m	820m / 210m / 104m	1140m / 280m / 142m
Véhicule (détection / reconnaissance / identification)	720m / 175m / 88m	1080m / 275m / 140m	1550m / 400m / 200m	2200m / 580m / 290m	3000m / 800m / 200m

L'analyse radiométrique n'affecte pas les performances de la caméra.

15.2.9 Environnement

Installation d'intérieur et d'extérieur

Température de fonctionnement

- Version avec l'alimentation 24Vac ou 24Vdc: de -40°C jusqu'à +65°C
- Version avec l'alimentation PoE+: de -40°C jusqu'à +60°C
- Essai de température conforme à NEMA-TS 2-2003 (R2008) paragr. 2.1.5.1, profil de test fig. 2-1 (de -34°C jusqu'à +74°C)

Protection contre les impulsions: jusqu'à 1kV entre deux lignes, jusqu'à 2kV entre ligne et terre (Class 3)

Humidité relative: de 5% jusqu'à 95%

15.2.10 Certifications

Sécurité électrique (CE): EN60950-1, IEC60950-1, EN62368-1, IEC62368-1

Compatibilité électromagnétique (CE): EN61000-6-4, EN50130-4, EN55032 (Classe A), FCC Part 15 (Classe A), ICES003

Installation à l'extérieur (CE): EN60950-22, IEC60950-22

Degré de protection IP (EN60529): IP66, IP67, IP68 (2h 30min, 2m), IP69

Certification UL: cULus Listed, TYPE 4X, TYPE 6P

Certification EAC

15.2.11 Certifications - Applications ferroviaires

Conformité à la norme pour les applications ferroviaires: EN50121-4 (seulement avec l'alimentation 24Vac ou 24Vdc)

15.2.12 Certifications - Applications marines

Lloyd's Register Marine Type Approval

- Test Specification Number 1 (ENV1, ENV2, ENV3, ENV5)

Compatibilité électromagnétique: EN60945

Résistant à la brume saline: EN60068-2-52

Éprouvé à 70°C pendant 16 heures conformément à la norme EN60068-2-2

16 Dessins techniques

i Les tailles indiquées sont en millimètres.

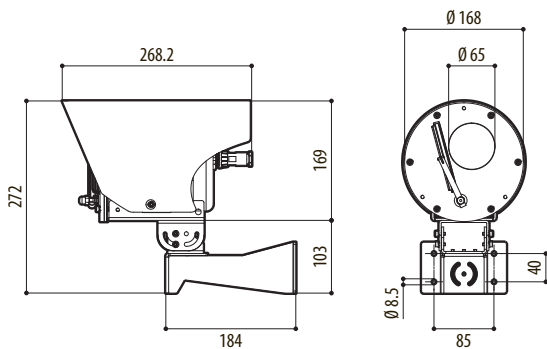


Fig. 45 NVX, fixation murale.

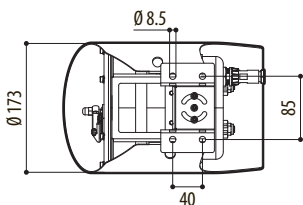
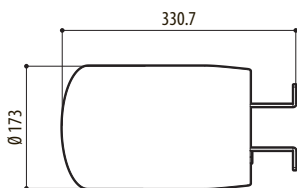
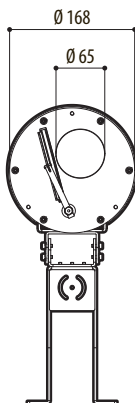


Fig. 46 NVX, fixation sur parapet.



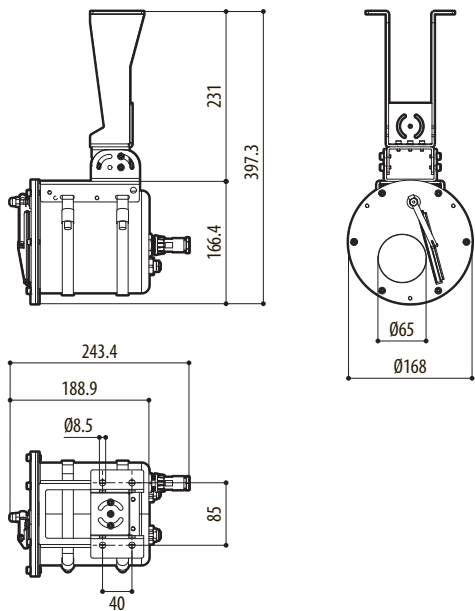


Fig. 47 NVX, fixation au plafond.

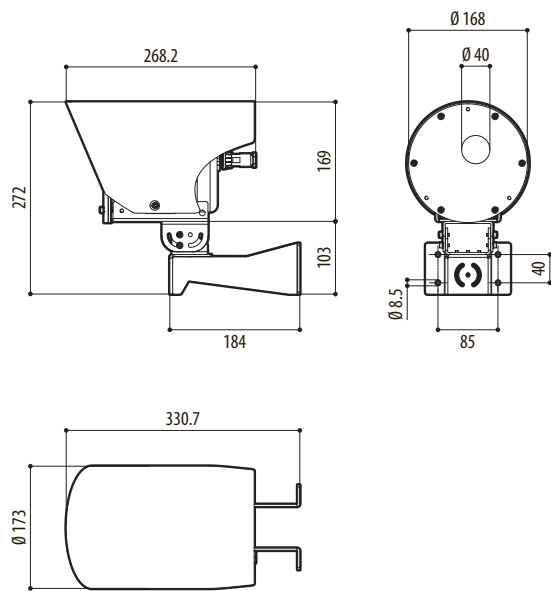


Fig. 48 NTX, fixation murale.

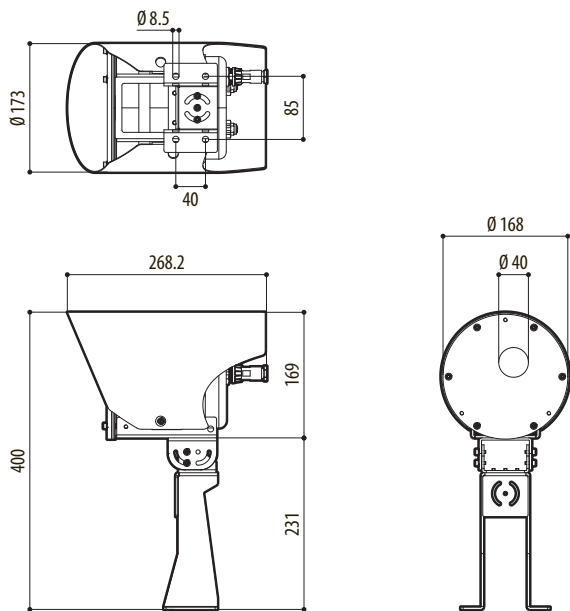


Fig. 49 NTX, fixation sur parapet.

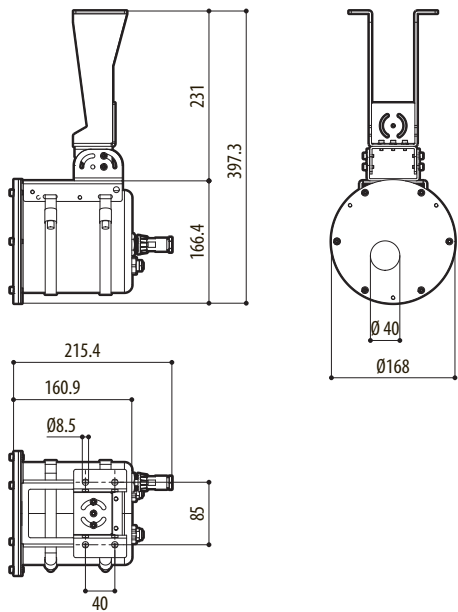


Fig. 50 NTX, fixation au plafond.



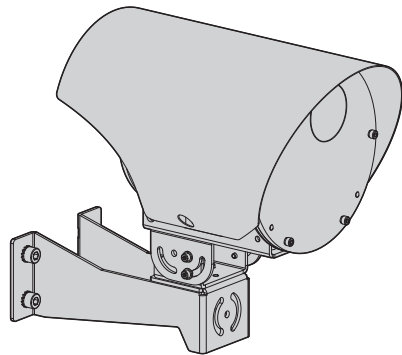
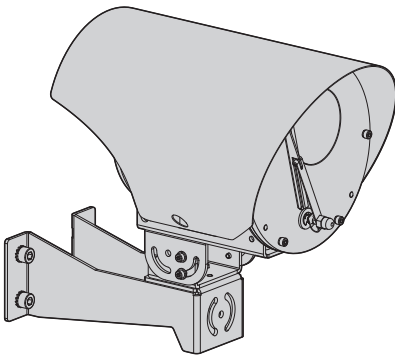
Headquarters Italy Videotec s.r.l.
Via Friuli, 6 - I-36015 Schio (VI) - Italy
Tel. +39 0445 697411 - Fax +39 0445 697414
Email: info@videotec.com
www.videotec.com

MNVCNVX_2222_FR



NVX NTX

Rostfreiem Stahl Kamera



Inhaltsverzeichnis

1 Allgemeines	7
1.1 Schreibweisen.....	7
2 Anmerkungen zum Copyright und Informationen zu den Handelsmarken	7
3 Anmerkung zur Datensicherheit	7
3.1 Einleitung	7
4 Sicherheitsnormen	8
5 Identifizierung	10
5.1 Beschreibung und Bezeichnung des Produktes	10
5.1.1 NVX	10
5.1.2 NTX.....	10
5.2 Produktübersicht.....	10
5.3 Kennzeichnung des Produkts	11
5.3.1 Prüfung der Kennzeichnung.....	11
6 Versionen	11
6.1 NVX	11
6.1.1 Version mit integriertem Scheibenwischer	11
6.1.2 Version ohne Scheibenwischer.....	11
6.1.3 Day/Night-Kamera	11
6.1.4 VIDEOTEC ANALYTICS	11
6.2 NTX	11
6.2.1 Fensterscheibe aus Germanium.....	11
6.3 Identifizierung des Modells	12
7 Vorbereitung des Produktes auf den Gebrauch	13
7.1 Entfernen der Verpackung	13
7.2 Sichere Entsorgung der Verpackungsmaterialien	13
7.3 Inhalt	13
7.4 Auf die Installation vorbereitende Tätigkeiten	14
7.4.1 Befestigung an Wand, Geländer oder Decke.....	14
7.4.2 Montageoptionen	16
8 Installation	18
8.1 Funktionelle Erdung	18
8.2 Verkabelung der Schnellanschlüsse	18
8.2.1 Verkabelung der losen Steckverbinder (Netzteil, I/O)	19
8.2.2 Anschluss der Relais.....	20
8.2.3 Verkabelung des losen Steckverbinders (Ethernet, PoE+).....	21
8.2.4 Anschluss des Ethernet-Kabels.....	22
9 Einschaltung	22
10 Konfiguration	23
10.1 Vorgegebene IP-Adresse	23
10.2 Web-Schnittstelle.....	23
10.2.1 Erster Webseitenaufruf.....	23

11 Zubehör und Support	23
11.1 Waschanlage.....	23
11.2 Bügelhalterung für LED-Scheinwerfer	24
11.3 LED- Scheinwerfer	24
11.4 Winkeladaptermodul.....	24
11.5 Massive Mastschelle.....	24
11.6 Gegenplatte.....	25
11.7 Frontaler Staubschutzschild	25
12 Wartung.....	25
12.1 Sonnenschutzdach entfernen.....	25
12.2 Öffnen und Schließen der Kamera	26
12.3 Beschreibung der Kameraplatine	26
12.4 Sicherung austauschen	27
12.5 Factory Default	27
12.5.1 Factory Default, NVX (version mit Scheibenwischer), NTX	27
12.5.2 Factory Default, NVX (Ausführung ohne Scheibenwischer).....	27
13 Reinigung.....	28
13.1 Fensterreinigung.....	28
13.2 Putzen des Germaniumfensters	28
14 Informationen bezüglich Entsorgung und Recycling.....	28
15 Technische Daten.....	29
15.1 NVX.....	29
15.1.1 Allgemeines.....	29
15.1.2 Mechanik	29
15.1.3 Kamerafenster	29
15.1.4 Elektrik.....	29
15.1.5 Netzwerk	29
15.1.6 Video	29
15.1.7 I/O-Schnittstelle.....	29
15.1.8 Kamera	30
15.1.9 Umgebung.....	31
15.1.10 Zertifizierungen.....	31
15.1.11 Zertifizierungen - Bahnanwendungen.....	31
15.1.12 Zertifizierungen - Marine-Anwendungen.....	31
15.2 NTX.....	32
15.2.1 Allgemeines.....	32
15.2.2 Mechanik.....	32
15.2.3 Kamerafenster	32
15.2.4 Elektrik.....	32
15.2.5 Netzwerk	32
15.2.6 Video	32
15.2.7 I/O-Schnittstelle	32
15.2.8 Kamera	33
15.2.9 Umgebung.....	35
15.2.10 Zertifizierungen.....	35
15.2.11 Zertifizierungen - Bahnanwendungen.....	35

15.2.12 Zertifizierungen - Marine-Anwendungen.....	35
16 Technische Zeichnungen.....	36

1 Allgemeines

Vor der Installation und Anwendung dieses Produkts ist die gesamte mitgelieferte Dokumentation aufmerksam zu lesen. Zum späteren Nachschlagen das Handbuch in Reichweite aufbewahren.

1.1 Schreibweisen



GEFAHR!

**Erhöhte Gefährdung.
Stromschlaggefahr. Falls nichts anderes angegeben, unterbrechen Sie die Stromversorgung, bevor die beschriebenen Arbeiten durchgeführt werden.**



GEFAHR!

**Gefahr mechanischer Natur.
Quetsch- oder Scherkantengefahr.**



GEFAHR!

**Heiße Oberfläche.
Nicht berühren. Die Oberflächen sind heiß und können bei Berührung zu Verbrennungen führen.**



ACHTUNG!

**Mittlere Gefährdung.
Der genannte Vorgang hat große Bedeutung für den einwandfreien Betrieb des Systems. Es wird gebeten, sich die Verfahrensweise durchzulesen und zu befolgen.**



ANMERKUNG

**Beschreibung der Systemmerkmale.
Eine sorgfältige Lektüre wird empfohlen, um das Verständnis der folgenden Phasen zu gewährleisten.**

2 Anmerkungen zum Copyright und Informationen zu den Handelsmarken

Die angeführten Produkt- oder Firmennamen sind Handelsmarken oder eingetragene Handelsmarken.

Microsoft Edge®, Windows XP®, Windows Vista®, Windows 7®, Windows 8®, Windows 10® sind Eigentum der Microsoft Corporation.

Google Chrome® ist ein eingetragenes Markenzeichen von Google LLC.

Mozilla Firefox® ist ein eingetragenes Markenzeichen von Mozilla Foundation.

INTEL® Core™ 2 Duo, INTEL® Core™ 2 Quad, INTEL® Xeon® sind Eigentum der Intel Corporation.

ONVIF® ist ein eingetragenes Markenzeichen von Onvif, Inc.

3 Anmerkung zur Datensicherheit

3.1 Einleitung

VIDEOTEC s.r.l. stellt Produkte für die Videoüberwachung her, die ausschließlich für den gewerblichen Gebrauch bestimmt sind. Die Produkte von VIDEOTEC s.r.l. können in einem technischen Zusammenhang und für vielfältige unterschiedliche Zwecke verwendet werden. Hierzu zählen u. a. die Sicherheitskontrolle in Städten, die Überwachung von Produktionsprozessen in Risikobereichen sowie Anwendungen für die Überwachung und den Schutz der Umwelt.

Einige dieser Einsätze können die Verarbeitung personenbezogener Daten seitens demjenigen mit sich bringen, der eine Videoüberwachungsanlage verwendet, in der Produkte von VIDEOTEC s.r.l. installiert und eingebaut sind.

Die Heterogenität der Anwendungsszenarien verhindert die Definition der standardmäßig eingestellten IT-Standardsicherheitsmaßnahmen bei den mit allen Anwendungsszenarien und im technischen Kontext kompatiblen Produkten. Im Besonderen könnten bestimmte Sicherheitsmaßnahmen (auch die Maßnahmen, die einen Branchenstandard bei Geräten, die für den privaten Gebrauch bestimmt sind) inkompatibel sein oder in speziellen technischen Zusammenhängen nicht notwendig sein oder das genaue Gegenteil sein, nämlich nicht ausreichend.

Daher ist es unabdingbar, dass die Risikoanalyse, die mit den IT-Sicherheitsaspekten verbunden ist, auch in Bezug auf die örtlich anwendbaren Normen bzgl. dem Schutz von personenbezogenen Daten, von spezialisiertem, vom Endanwender des Produkts beauftragtem Personal durchgeführt wird.

Der Anwender des Produkts muss daher, wobei er sich auf spezialisiertes Personal im Bereich IT-Sicherheit zu stützen hat, unter seiner eigenen und ausschließlichen Verantwortung entscheiden:

- Einige oder alle Sicherheitsfunktionen zu aktivieren, die vom Gerät von VIDEOTEC s.r.l. angeboten werden;
- Beim Systemlevel abweichende Sicherheitsmaßnahmen zu implementieren;
- Die beiden Optionen zu kombinieren.

Die oben genannte Wahl muss auf Grundlage des spezifischen technischen und normativen Kontexts durchgeführt werden sowie auf Grundlage der durch das Videoüberwachungssystem zu behandelnden Datentypologie.

Bei der Typologie des technischen Kontexts innerhalb der die Geräte von VIDEOTEC s.r.l. normalerweise eingesetzt werden, ist es nicht möglich und zudem nicht ratsam, dass die Firmware dieser Geräte automatisch über das Internet aktualisiert wird. VIDEOTEC s.r.l. kann im Laufe der Zeit Sicherheits-Updates für die eigenen Geräte herausbringen, die vom Anwender manuell immer durch spezialisiertes Personal zu installieren sind, sollten einige oder alle Sicherheitsfunktionen, die das Gerät liefert, aktiviert werden. Es ist Aufgabe des Anwenders sich über die Kommunikationskanäle von VIDEOTEC s.r.l. bzgl. der Verfügbarkeit von Sicherheits-Updates der Firmware auf dem Laufenden zu halten.

4 Sicherheitsnormen



ACHTUNG! Die elektrische Anlage, an der die Einheit angeschlossen ist, muss mit einem automatischen zweipoligen Schutzschalter 10A max ausgestattet sein. Dieser Schalter muss vom Typ Listed sein. Zwischen den Schutzschalter Kontakten muss mindestens ein Abstand von 3mm vorhanden sein. Der Schalter muss eine Schutzeinrichtung gegen Erde Fehlerstrom (Differenzial) und gegen Überstrom haben (magnetothermisch).



ACHTUNG! Die Installation und Wartung der Vorrichtung ist technischen Fachleuten vorbehalten.



ACHTUNG! Die Anlage gehört zum Typ TNV-1. Nicht an Kreisläufe SELV anschließen.



ACHTUNG! Damit ein ständiger Brandschutz garantiert wird, sind die Sicherungen nur in dem gleichen Typ und Wert zu ersetzen. Die Sicherungen sind nur von Fachleuten zu ersetzen.

- Der Hersteller lehnt jede Haftung für eventuelle Schäden ab, die aufgrund unsachgemäßer Anwendung der in diesem Handbuch erwähnten Geräte entstanden ist. Ferner behält er sich das Recht vor, den Inhalt ohne Vorkündigung abzuändern. Die Dokumentation in diesem Handbuch wurde sorgfältig ausgeführt und überprüft. Der Hersteller kann dennoch keine Haftung für die Verwendung übernehmen. Dasselbe gilt für jede Person oder Gesellschaft, die bei der Schaffung oder Produktion von diesem Handbuch miteinbezogen ist.
- Unterbrechen Sie die Stromversorgung, bevor die beschriebenen Arbeiten durchgeführt werden.
- Es dürfen keine Kabel mit Verschleiß- oder Alterungsspuren verwendet werden.

- Unter keinen Umständen dürfen Veränderungen oder Anschlüsse vorgenommen werden, die in diesem Handbuch nicht genannt sind. Der Gebrauch ungeeigneten Geräts kann die Sicherheit des Personals und der Anlage schwer gefährden.
- Es dürfen nur Original-Ersatzteile verwendet werden. Nicht originale Ersatzteile können zu Bränden, elektrischen Entladungen oder anderen Gefahren führen.
- Vor der Installation ist anhand des Kennzeichnungsschildes nachzuprüfen, ob das gelieferte Material die gewünschten Eigenschaften (5.3 Kennzeichnung des Produkts, Seite 11).
- Da der Benutzer für die Auswahl der Verankerungsoberfläche der Einheit verantwortlich ist, liefert der Hersteller die Befestigungsvorrichtungen für die Verankerung der Einheit auf der Oberfläche nicht mit. Der Installateur ist für die Auswahl der für die zur Verfügung stehende Oberfläche geeigneten Vorrichtungen verantwortlich. Wir empfehlen die Verwendung von Methoden und Materialien, die in der Lage sind, einem Gewicht standzuhalten, das 4 Mal größer als das Gewicht des Gerätes ist.
- Eine Installationsoberfläche auswählen, die ausreichend widerstandsfähig ist und dazu geeignet, dem Gewicht des Gerätes standzuhalten; dabei müssen die besonderen Umgebungsbedingungen wie starker Wind berücksichtigt werden.
- Die Einrichtung ist für die dauerhafte Befestigung und Verbindung in ein Gebäude oder eine andere geeignete Struktur konzipiert. Vor jeder Operation muss die Einrichtung dauerhaft befestigt und verbunden werden.
- Vor dem Einschalten der Stromversorgung prüfen, dass das Gerät fest verankert ist.
- Das Gerät muss von technischen Fachleuten vorbehalten an einem Ort mit beschränktem Zugriff installiert werden.
- Achtsam mit dem Produkt umgehen, um versehentliche Kontakte sowie schneidende Kanten und Ecken zu vermeiden.
- Die Hauptisolierung muss produktextern mit einem Sicherheitstransformator und / oder einer isolierten Gleichspannungsquelle ausgeführt werden.
- Zur Spannungsversorgung des Produktes verwenden Sie bitte einen Sicherheitstransformator und / oder eine isolierte Gleichspannungsquelle mit sachgerechten Merkmalen. Die Werte der Spannungsversorgung am Ausgang dürfen die nachstehenden Werte nicht überschreiten. Versorgungsspannung: 24Vac ($\pm 10\%$) oder 24Vdc ($\pm 5\%$).
- Die elektrische Anlage muss mit einem Netztrennschalter versehen sein, der im Bedarfsfall sofort erkannt und gebraucht werden kann.
- Für Kundendiensteingriffe wenden Sie sich ausschließlich an autorisiertes technisches Personal.
- Während der Installation ist geeignete persönliche Schutzausrüstung zu verwenden.
- Die nationalen Vorschriften für die Installation der Einrichtung sind einzuhalten.
- Dies ist ein Produkt der Klasse A. Dieses Produkt kann im Wohnbereich Funkstörungen verursachen. In diesem Fall kann vom Betreiber verlangt werden, angemessene Maßnahmen durchzuführen.
- Vorgeschrieben ist der Anschluss an eine Versorgungsquelle, deren Eigenschaften den Angaben auf dem Kennzeichnungsschild entsprechen. Vor der Installation ist zu prüfen, ob die Stromleitung sachgerecht abgetrennt ist.
- Um die Vorschriften über Spannungseinbrüche und -abschaltungen einzuhalten, benutzen Sie bitte eine unterbrechungsfreie Stromversorgung (UPS).
- Die Vorrichtung mit einem Versorgungsnetz von 24Vac, 24Vdc oder im Falle von Modellen ohne Platine für Videoanalysen mit PSE (Power Sourcing Equipment) versorgen, und zwar in Übereinstimmung mit IEEE 802.3at (PoE+).
- Im Falle einer Stromversorgung mit 24 Vac muss eine ausreichende Trennung von der AC-Speiseleitung vorgesehen werden und eine doppelte oder verstärkte Isolierung zwischen der Hauptversorgungsleitung und dem Sekundärkreis hergestellt werden.

5 Identifizierung

5.1 Beschreibung und Bezeichnung des Produktes

5.1.1 NVX

NVX ist eine Super low-light Full HD IP-Kamera mit hohen korrosionsbeständigen Eigenschaften heraus.

Das kompakte Design und das geringe Gewicht der vollständig aus rostfreiem Stahl AISI 316L gebauten Kamera NVX machen den Unterschied. Die Montage und die Wartung werden dadurch und durch die Schnellanschlüsse erleichtert.

Die Modulhalterung für die Wand-, Decken- oder Geländermontage gehört serienmäßig zum Lieferumfang.

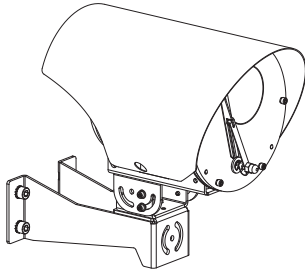


Abb. 1 NVX.

5.1.2 NTX

NTX ist eine IP Wärmebildkamera mit hohen korrosionsbeständigen Eigenschaften.

Die thermische Videokamera ermöglicht die Sicht auch bei vollständiger Dunkelheit, Nebel, Regen, Rauch oder auf große Entfernungen.

Die Fensterscheibe aus Germanium hat eine Kretzfeste Außenbehandlung, Antireflex, Hard Carbon Coating (DLC), und die interne Antireflex; der Spektralbereich ist von 7,5µm bis 14µm.

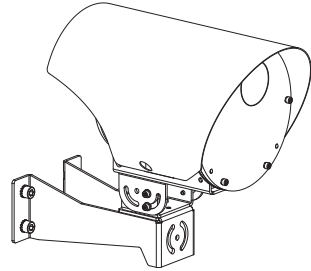


Abb. 2 NTX.

5.2 Produktübersicht

Nachfolgend werden die Hauptkomponenten des Produkts angegeben.

1. Befestigungshalterung.
2. Drehhalterung.
3. Kamerahalterung.
4. Sonnenschutzdach.
5. Kamera.

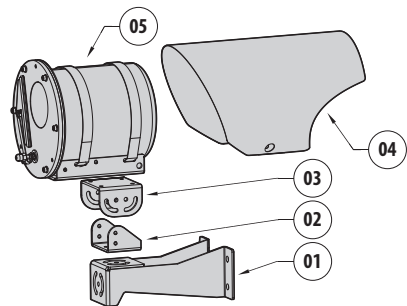


Abb. 3

5.3 Kennzeichnung des Produkts

Siehe das Label auf dem Produkt.

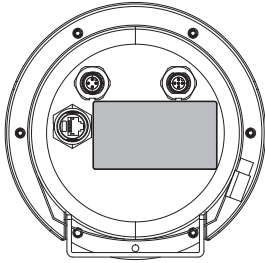


Abb. 4

Das Schildchen nennt:

- Identifizierungscode des Modells.
- Versorgungsspannung (V).
- Frequenz (Hz).
- Höchststrom (A).
- Seriennummer.

5.3.1 Prüfung der Kennzeichnung

Vor Beginn der Installationsarbeiten ist zu kontrollieren, ob das gelieferte Material den jeweiligen Anforderungen entspricht. Zu erkennen ist dies anhand der Kennzeichnungsschilder.

Unter keinen Umständen dürfen Veränderungen oder Anschlüsse vorgenommen werden, die in diesem Handbuch nicht genannt sind. Der Gebrauch ungeeigneten Geräts kann die Sicherheit des Personals und der Anlage schwer gefährden.

6 Versionen

6.1 NVX

6.1.1 Version mit integriertem Scheibenwischer

Die Standardausführung des Produkts wird mit eingebautem Scheibenwischer geliefert.

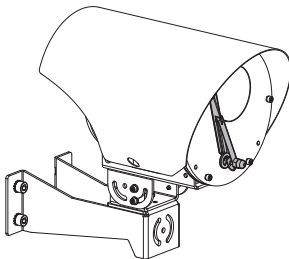


Abb. 5

6.1.2 Version ohne Scheibenwischer

Eine vereinfachte Ausführung des Produkts ohne Scheibenwischer ist erhältlich.

Eine Ausführung mit einem Fenster aus Glas und eine Ausführung mit einem Fenster aus Polycarbonat sind erhältlich.

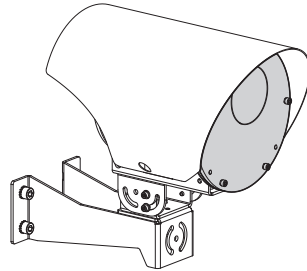


Abb. 6

6.1.3 Day/Night-Kamera

Diese Produktausführung verfügt über eine Full HD Tag- und Nachtkamera.

6.1.4 VIDEOTEC ANALYTICS

Bei dieser Produktausführung wird die Videoanalysefunktion VIDEOTEC Analytics integriert.

6.2 NTX

6.2.1 Fensterscheibe aus Germanium

Die Version ist mit Fensterscheibe aus Germanium ausgestattet, die eigens für Anlagen mit Wärmebildkameras ausgelegt ist.

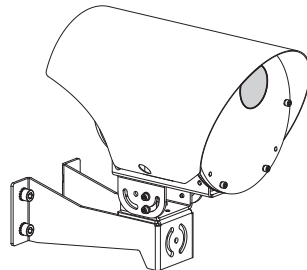


Abb. 7

6.3 Identifizierung des Modells

NVX - KONFIGURATIONSOPTIONEN												
	Strom- Versorgung		Kamera	Versionen		Videoanalysen			Überarbeitung			
NVX	2	24Vac/24Vdc/PoE+	10	Kamera super low-light Day/ Night, FULL HD 1080p, 30x, mit DELUX-Technologie		W	Mit Scheibenwischer			A	In Übereinstimmung mit ONVIF, Profil Q, Profil S und Profil T	
			20	Kamera SONY FCB-EV7520, FULL HD 1080p, 30x		S	Ohne Wischer/Glasfenster			J	In Übereinstimmung mit ONVIF, Profil S und Profil T	
						P	Ohne Wischer/Polykarbonat-Fenster					

Tab. 1 NVX.

NTX - KONFIGURATIONSOPTIONEN																	
	Strom- Versorgung		Kamera	Radiometrie		Version				Wärmebildkamera Frame-Rate							
NTX	2	24Vac/24Vdc/PoE+	D	Wärmebildkamera 35mm, 640x512		0	Wärmebildkamera mit radiometrischen Funktionen			R	Fensterscheibe aus Germanium		0	0	A	-	7.5Hz
			E	Wärmebildkamera 25mm, 640x512		R	Wärmebildkamera mit erweiterten radiometrischen Funktionen								H		30Hz
			U	Wärmebildkamera 19mm, 640x512													
			G	Wärmebildkamera 13mm, 640x512													
			H	Wärmebildkamera 9mm, 640x512													
			I	Wärmebildkamera 35mm, 336x256													
			L	Wärmebildkamera 25mm, 336x256													
			Z	Wärmebildkamera 19mm, 336x256													
			M	Wärmebildkamera 13mm, 336x256													
			Q	Wärmebildkamera 9mm, 336x256													

Tab. 2 NTX.

7 Vorbereitung des Produktes auf den Gebrauch



Jede vom Hersteller nicht ausdrücklich genehmigte Veränderung führt zum Verfall der Gewährleistungsrechte.

7.1 Entfernen der Verpackung

Bei der Lieferung des Produktes ist zu prüfen, ob die Verpackung intakt ist oder offensichtliche Anzeichen von Stürzen oder Abrieb aufweist.

Bei offensichtlichen Schadensspuren an der Verpackung muss umgehend der Lieferant verständigt werden.

Im Falle der Rückgabe des nicht korrekt funktionierenden Produktes empfiehlt sich die Verwendung der Originalverpackung für den Transport.

Bewahren Sie die Verpackung auf für den Fall, dass das Produkt zur Reparatur eingeschendet werden muss.

7.2 Sichere Entsorgung der Verpackungsmaterialien

Die Verpackungsmaterialien sind vollständig wiederverwertbar. Es ist Sache des Installationstechnikers, sie getrennt, auf jeden Fall aber nach den geltenden Vorschriften des Anwendungslandes zu entsorgen.

7.3 Inhalt

Prüfen Sie, ob der Inhalt mit der nachstehenden Materialliste übereinstimmt:

- Kamera
- Befestigungshalterung
- Drehhalterung
- Kamerahalterung
- Sonnenschutzdach
- Ausgerüstet:
 - Schnellanschlüsse und Verschlüsse
 - Bedienungsanleitung
 - Schrauben (version mit Scheibenwischer)
 - Halterung für Scheibenwaschanlage (version mit Scheibenwischer)
 - Düse für Scheibenwaschanlage (version mit Scheibenwischer)
 - Kabelbinder (version mit Scheibenwischer)
- Ausstattung für die Halterung:
 - Sechskantschlüssel
 - Schrauben

7.4 Auf die Installation vorbereitende Tätigkeiten

! **ACHTUNG!** Die Installation und Wartung der Vorrichtung ist technischen Fachleuten vorbehalten.

! Die Installation mit geeigneten Werkzeugen ausführen. Dennoch kann der Ort, an dem die Vorrichtung installiert wird, den Einsatz von Spezialwerkzeugen erfordern.

! Das Produkt muss mit geeigneten Mitteln befestigt werden. Die Befestigungsmittel müssen die mechanische Festigkeit beim Anlegen von mindestens dem 4-fachen Gesamtgewicht des Gerätes garantieren.

! Eine Installationsoberfläche auswählen, die ausreichend widerstandsfähig ist und dazu geeignet, dem Gewicht des Gerätes standzuhalten; dabei müssen die besonderen Umgebungsbedingungen wie starker Wind berücksichtigt werden.

! Das Gerät so installieren, dass Unfälle durch den Kontakt mit den bewegten Teilen verhindert werden: sie dürfen nicht gegen andere Gegenstände stoßen und so Gefahrensituationen hervorrufen.

! Vor dem Einschalten der Stromversorgung prüfen, dass das Gerät fest verankert ist.

! Für Kundendienstingriffe wenden Sie sich ausschließlich an autorisiertes technisches Personal.

i Da der Benutzer für die Auswahl der Verankerungsoberfläche der Einheit verantwortlich ist, liefert der Hersteller die Befestigungsvorrichtungen für die Verankerung der Einheit auf der Oberfläche nicht mit. Der Installateur ist daher für die Auswahl der für die zur Verfügung stehende Oberfläche geeigneten Vorrichtungen verantwortlich.

7.4.1 Befestigung an Wand, Geländer oder Decke

Das Produkt ist für die Montage an der Wand, am Geländer oder an der Decke geeignet.

Die Befestigungshalterung (01) auf der Oberfläche des endgültigen Zielpunkts festmachen.

Die Kamerahalterung (03) an der Kamera mit den vier im Lieferumfang enthaltenen M5-Schrauben und den Unterlegscheiben montieren. Das Drehelement (02) an die Befestigungshalterung (01) und die Kamerahalterung (03) mit den sieben im Lieferumfang enthaltenen M5-Schrauben und den Unterlegscheiben montieren. Nachdem die Endposition des Produkts einmal festgelegt wurde, die M5-Schrauben mit Drehmoment festziehen.

! **Auf die Befestigung achten.**
Anzugsdrehmoment: 4.5Nm (± 0.5 Nm).

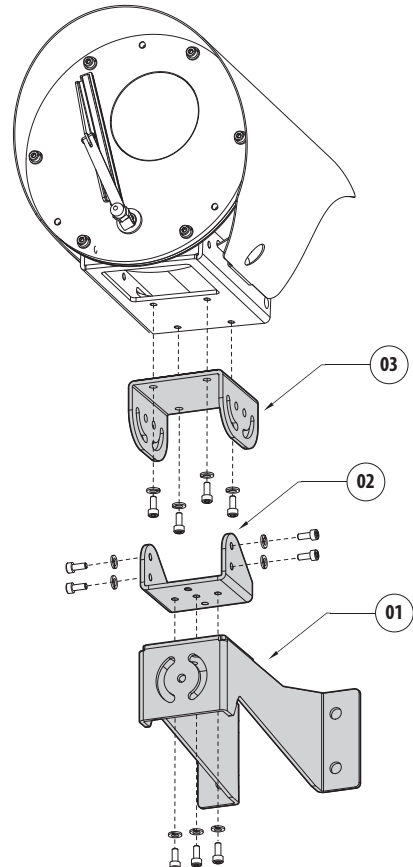


Abb. 8 Wandbefestigung.

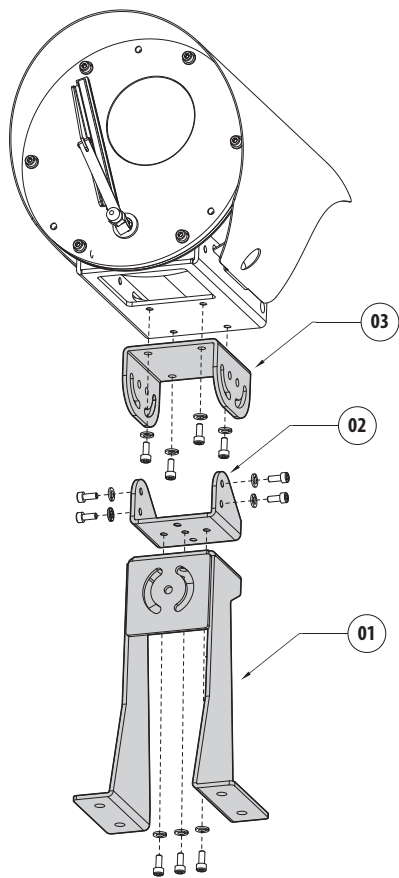


Abb. 9 Befestigung an der Brüstung.

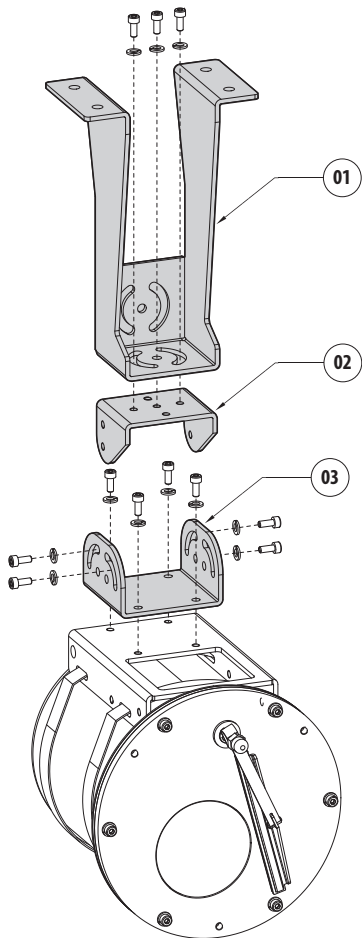


Abb. 10 Deckenbefestigung.

i Bei der Montage an der Decke ist das Sonnenschutzdach abzumontieren.

7.4.2 Montageoptionen

Das Produkt kann in den nachfolgend angegebenen Positionen installiert werden.

Der vertikale Neigungsbereich der Kamera reicht von -90° bis 0° .

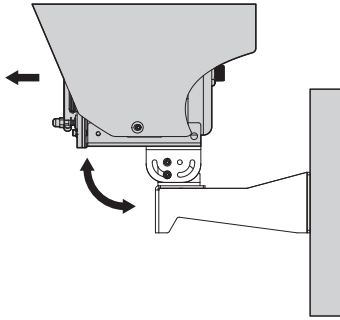


Abb. 11 Beispiel Wandmontage, Vertikale Drehung, 0° .

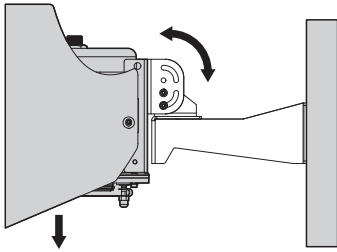


Abb. 12 Beispiel Wandmontage, Vertikale Drehung, -90° .

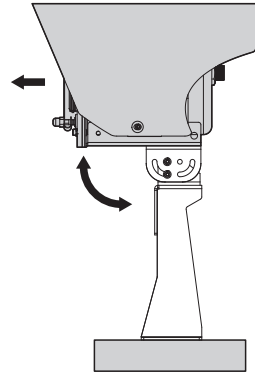


Abb. 13 Beispiel Geländermontage, Vertikale Drehung, 0° .

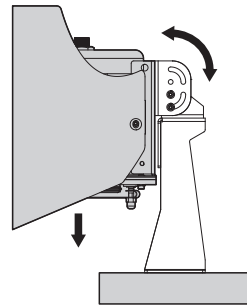


Abb. 14 Beispiel Geländermontage, Vertikale Drehung, -90° .



Bei der Option der Deckenmontage muss das Sonnenschutzdach entfernt werden.

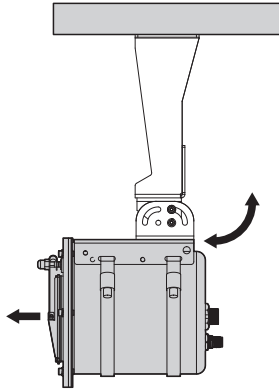


Abb. 15 Beispiel Deckenmontage, Vertikale Drehung, 0°.

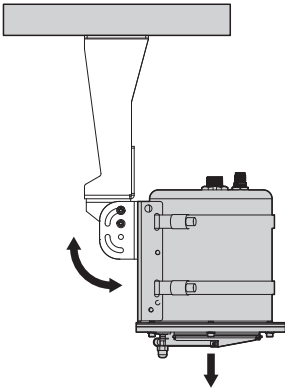


Abb. 16 Beispiel Deckenmontage, Vertikale Drehung, -90°.

Das Produkt kann mit einer Kette oder einem Metalldraht festgemacht werden, um so einem Herunterfallen der Kamera vorzubeugen, sollte die Halterung nachgeben. Hierzu kann das Loch verwendet werden, siehe Abbildung (Abb. 17, Seite 17).

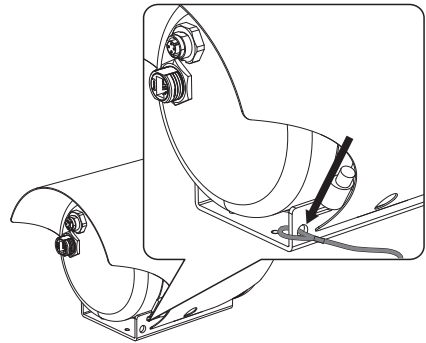


Abb. 17

8 Installation



ACHTUNG! Die elektrische Anlage, an der die Einheit angeschlossen ist, muss mit einem automatischen zweipoligen Schutzschalter 10A max ausgestattet sein. Zwischen den Schutzschalter Kontakten muss mindestens ein Abstand von 3mm vorhanden sein. Der Schalter muss eine Schutzeinrichtung gegen Erde Fehlerstrom (Differenzial) und gegen Überstrom haben (magnetothermisch).



Die elektrischen Anschlüsse nur durchführen, wenn die Stromversorgung abgetrennt und die Trennvorrichtung offen ist.



Die elektrische Anlage muss mit einem Netztrennschalter versehen sein, der im Bedarfsfall sofort erkannt und gebraucht werden kann.



Alle nicht angeschlossenen Drähte sind elektrisch zu isolieren.



VIDEOTEC empfiehlt, vor der endgültigen Montage am Installationsort die Konfiguration und die Leistungen des Gerätes zu prüfen.

8.1 Funktionelle Erdung



Wenn die Einheit über die Ethernetleitung (PoE+) versorgt wird, sollte für eine Verbindung mit einem externen, funktionellen Erdungskabel an die Erdung der Anlage gesorgt werden.



Kabel mit den nachfolgend angegebenen Eigenschaften verwenden.

- Nennquerschnitt der verwendeten Kabel: 2.5mm² (14AWG) min.

Die Installation des funktionellen Erdungskabels, wie in der Abbildung angegeben, vornehmen.

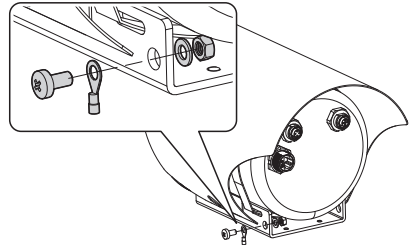


Abb. 18

8.2 Verkabelung der Schnellanschlüsse

Zur Vereinfachung der Montage verfügt das Produkt über Schnellanschlüsse.

Auf der Rückseite des Produkts befinden sich Festanschlüsse. Die Steckverbinder müssen von der Kabelseite aus verkabelt werden (lose Steckverbinder).

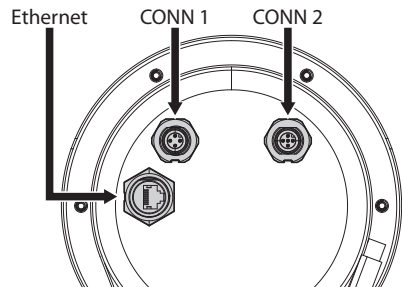


Abb. 19 Rückansicht der Kamera. Steckverbinder von der Kamerarseite.

Nach Beendigung der Montage, die losen Steckverbinder in die entsprechenden Festanschlüsse auf der Rückseite des Produkts einfügen.

Sollten die losen Steckverbinder nicht verwendet werden, auf der Rückseite des Produkts die im Lieferumfang enthaltenen Stopfen befestigen.

8.2.1 Verkabelung der losen Steckverbinder (Netzteil, I/O)

! Das Gerät mit einem Versorgungsnetz mit 24Vac oder 24Vdc versorgen.

! Das Gerät mit einer Ethernetleitung (Modelle ohne Platine für die Videoanalyse) versorgen, und zwar mit PSE (Power Sourcing Equipment) in Übereinstimmung mit IEEE 802-3at (PoE+).

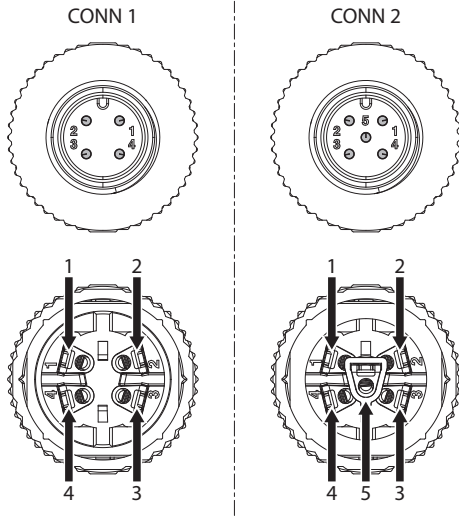


Abb. 20 Vorderansicht der Pins und Innenansicht der Klemmen.

CONN 1 (4-POLIGER STECKVERBINDER)	
Nummer des Pins	Funktion
1	Relais der Scheibenwaschpumpe
2	Relais der Scheibenwaschpumpe
3	Hilfsrelais (konfigurierbares Relais)
4	Hilfsrelais (konfigurierbares Relais)

Tab. 3

CONN 2 (5-POLIGER STECKVERBINDER)	
Nummer des Pins	Funktion
1	Netzteil 24Vac/24Vdc
2	
3	Nicht verwendet
4	Factory Default*
5	

Tab. 4 *Das Factory Default kann in NVX-Versionen mit Wischer und in allen Versionen von NTX erfolgen.

i Die am Pin 1 und 2 des Steckverbinders 2 angewandte Spannungspolarität ist irrelevant.

i Die Erdung ist nicht vorgesehen, da sie das Produkt nicht benötigt, wenn es mit 24Vac oder 24VVdc gespeist wird.

i Kabel mit den nachfolgend angegebenen Eigenschaften verwenden.

- Querschnitt: von 0.14mm^2 (26AWG) bis zu 0.75mm^2 (18AWG).
- Gesamtkabeldurchmesser: von 4mm bis zu 8mm.
- Länge (Versorgungskabel): Der Leiterquerschnitt beeinflusst die maximal zulässige Kabellänge. Die maximale Kabellänge basierend auf den Leiterquerschnitt ist in der folgenden Tabelle angegeben.

MAXIMALE KABELLÄNGE		
Querschnitt	Ohne Platine für Videoanalysen	Mit Platine für Videoanalysen
0.34mm^2 (22AWG)	20m	15m
0.5mm^2 (20AWG)	30m	25m
0.75mm^2 (18AWG)	50m	40m

Tab. 5

Den losen Steckverbinder verkabeln. Dabei wie folgt vorgehen.

Kabel bis höchstens 18mm abmanteln. Die Leiter bis höchstens 5mm absolieren.

Das Kabel über die Dichtmutter (01), die Dichtung (02) und den Steckverbinderkorpus (03) einführen.

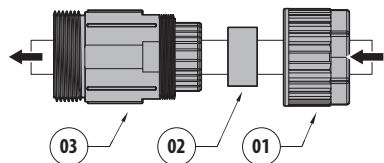


Abb. 21

Die vorhandenen Schrauben der Klemmen (04) im vorderen Bereich des Steckverbinders lösen. Die Leiter einführen und diese durch Anziehen der Schrauben befestigen. Den Steckverbinderkorpus (03) an der Vorderseite mit den Klemmen (05) anschrauben. Dabei den Ring (06) anziehen.



Auf die Befestigung achten.
Anzugsdrehmoment: von 0.29Nm bis zu 0.39Nm.

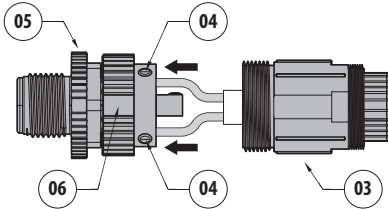


Abb. 22

Die Dichtung (02) im Inneren der Aufnahme des Steckverbinderkorpus (03) einsetzen. Dann die Dichtmutter (01) festmachen.

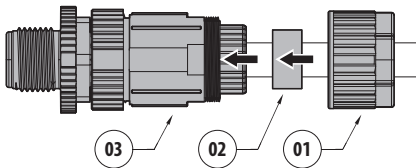


Abb. 23



Auf die Befestigung achten.
Anzugsdrehmoment: von 0.39Nm bis zu 0.59Nm.

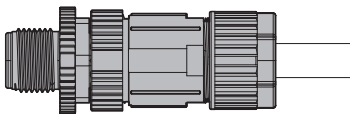


Abb. 24 Vollständige Montage.

Bevor die losen Steckverbinder an den entsprechenden Steckverbindern auf der Rückseite der Kamera befestigt werden, sicherstellen, dass die TAP-Anschlüsse übereinstimmen.

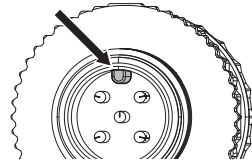


Abb. 25

Den losen Steckverbinder mit dem Festanschluss kuppeln und den Ring festziehen.

8.2.2 Anschluss der Relais



Das Relais kann mit den in Folge beschriebenen Spezifikationen verwendet werden.

- **Arbeitsspannung: bis zu 30Vac oder 60Vdc.**
- **Strom: 1A max.**



Kabel mit den nachfolgend angegebenen Eigenschaften verwenden.

- **Querschnitt: von 0.14mm² (26AWG) bis zu 0.75mm² (18AWG).**

Die Relaiskontakte befinden sich bei dem entsprechenden Schnellanschluss. Die Relais besitzen keine Polarität (Tab. 3, Seite 19).

8.2.3 Verkabelung des losen Steckverbinders (Ethernet, PoE+)

! Wenn das Gerät über eine Platine für die Videoanalyse verfügt, kann es mit PSE (Power Sourcing Equipment) in Übereinstimmung mit IEEE 802.3at (PoE+).

i Ethernetkabel mit den nachfolgend angegebenen Eigenschaften verwenden.

- Durchmesser: von 5mm bis zu 6mm.
- Abschirmung : SF/UTP.
- Kategorie: 5e.
- Länge: 100m max (PoE+).

Den losen Steckverbinder verkabeln. Dabei wie folgt vorgehen.

Das Ethernetkabel über die Dichtmutter (01), den Käfig (02), die Dichtmutter (03) und den Steckverbinderkorpus (04) einführen.

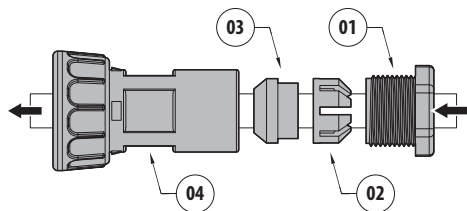


Abb. 26

Den im Lieferumfang enthaltenen, geschirmten Steckverbinder RJ45 crimpen.

! Das Abschirmgeflecht an den geschirmten Steckverbinder RJ45 anschließen.

Die Anschlüsse nach den Angaben in der Tabelle vornehmen (standardgerecht: TIA/EIA-568-B).

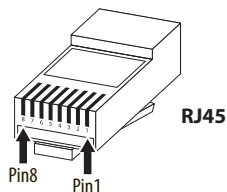


Abb. 27

ANSCHLUSS DES ETHERNET-KABELS	
Nummer des Pins	Kabelfarbe
1	Orange-Weiß
2	Orange
3	Grün-Weiß
4	Blau
5	Blau-Weiß
6	Grün
7	Braun-Weiß
8	Braun

Tab. 6

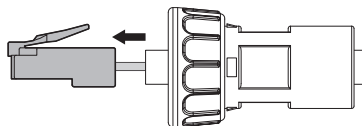


Abb. 28

Das Ethernetkabel (05) leicht anziehen bis der Steckverbinder RJ45 (06) nicht vollständig in die Aufnahme des Korpus des losen Steckverbinders gesteckt ist.

Nachdem der Käfig und die Dichtung aufgesteckt wurden, die Dichtmutter (07) festziehen.

**⚠ Auf die Befestigung achten.
Anzugsdrehmoment: Von 0.9Nm bis zu 1Nm.**

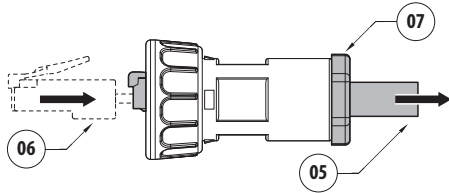


Abb. 29

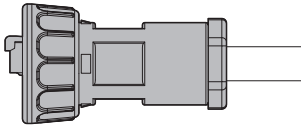


Abb. 30 Vollständige Montage.

Den losen Steckverbinder mit dem Festanschluss kuppeln und den Ring festziehen.

8.2.4 Anschluss des Ethernet-Kabels

i Das Abschirmgeflecht des Ethernetkabels muss benutzerseitig stets geerdet sein. Einen geschirmten Steckverbinder RJ45 verwenden. Das Abschirmgeflecht an den geschirmten Steckverbinder RJ45 anschließen.

Das Produkt kann direkt an einen Ethernet-Switch angeschlossen werden.

Eine typische Installation zeigt das nachstehende Beispiel.

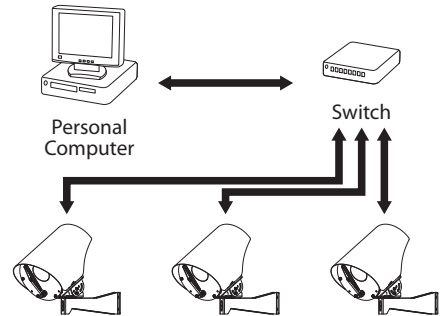


Abb. 31

9 Einschaltung

⚠ Sicherstellen, dass die Einheit und die anderen Bauteile der Anlage korrekt geschlossen sind, um den Kontakt mit unter Spannung stehenden Bauteilen zu verhindern.

⚠ Vergewissern Sie sich, dass alle Teile fest und zuverlässig befestigt sind.

i Der automatische Vorheizvorgang (De-Ice) könnte immer dann aktiviert werden, wenn das Gerät bei einer Umgebungstemperatur von unter -10°C in Betrieb genommen wird. Dieser Vorgang ist notwendig, um die korrekte Funktionalität der Vorrichtung auch bei niedrigen Temperaturen zu gewährleisten. Dauer des Vorheizvorgangs: 60 Minuten.

Für das Einschalten der Einheit die elektrische Versorgung anzulegen.

Die elektrische Versorgung abtrennen, um die Einheit abzuschalten.

10 Konfiguration

10.1 Vorgegebene IP-Adresse

i Die Einheit ist konfiguriert, um eine IP-Adresse von einem DHCP-Server zu erhalten.

Die über DHCP erhaltene IP-Adresse ist in der Logdatei des DHCP-Servers sichtbar.

Sollte der DHCP nicht verfügbar sein, dann nimmt die Einheit die Konfiguration automatisch mit einer selbst generierten IP-Adresse im Subnetz 169.254.x.x/16 vor. Die IP-Adresse des PC als zum selben Subnetz gehörend konfigurieren (Beispiel: IP-Adresse: 169.254.1.1, subnet mask: 255.255.0.0).

Zur erneuten Suche der IP-Adresse des Geräts ein mit ONVIF oder einem Netzwerk-Sniffer kompatibles VMS verwenden (IP scan utility).

10.2 Web-Schnittstelle

i Unterstützte Browser (der letzten Version): Microsoft Edge, Google Chrome, Mozilla Firefox.

10.2.1 Erster Webseitenaufruf

Der erste Schritt zur Konfiguration der Einrichtung ist die Verbindung mit seiner Web-Schnittstelle.

Um auf die Webschnittstelle des Produkts zuzugreifen, genügt es, eine Verbindung über den Browser mit der Adresse http://indirizzo_ip herzustellen.

Beim ersten Zugriff wird die Startseite angezeigt.

i Informationen zur Konfiguration der Webschnittstelle finden Sie im Handbuch, das sich auf die installierte Firmware-Version bezieht. Das Handbuch ist auf der Produktwebseite in www.videotec.com verfügbar.

11 Zubehör und Support

i Für weitere Details zur Konfiguration und zum Gebrauch beachten Sie bitte das Handbuch des entsprechenden Geräts.

11.1 Waschanlage

Das Produkt, wenn es über einen Scheibenwischer verfügt, kann mit einer externen Pumpe ausgestattet werden, die Wasser für die Reinigung des Glases liefert.

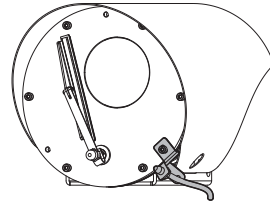


Abb. 32

Zum Abschließen der Installation der Waschanlage das im Lieferumfang der Kamera enthaltene Kit verwenden.

Den Düsenkopf (01) an der Halterung (02) einsetzen. Hierzu die Mutter (03) festziehen.

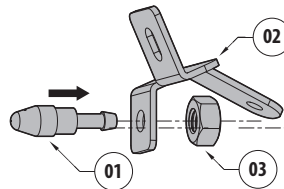


Abb. 33

Die montierte Düse und Halterung befestigen. Hierzu eines der Zusatzlöcher (01), die sich an der Gehäusevorderseite befinden, verwenden. Die Schraube und die Unterlegscheibe (02) festziehen. Die Zuflussleitung in die Düse (03) einsetzen. Die Zuflussleitung an der Halterung mit einer Schelle (04) absichern.

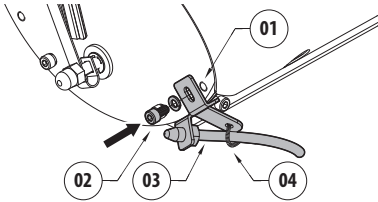


Abb. 34

11.2 Bügelhalterung für LED-Scheinwerfer

Für die Installation der GEKO IRH LED-Scheinwerfer von VIDEOTECH muss das Gerät mit einer Bügelhalterung ausgestattet werden.

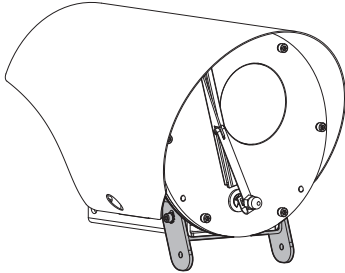


Abb. 35 NVXIRBKT.

11.3 LED- Scheinwerfer

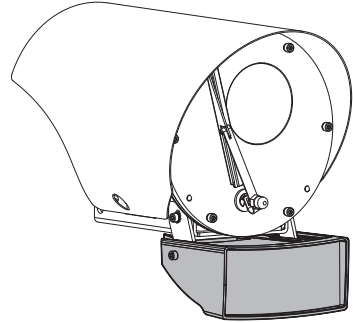


Abb. 36 GEKO IRH.

11.4 Winkeladaptermodul

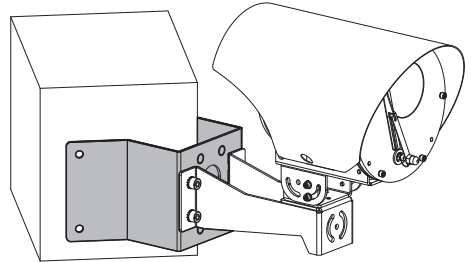


Abb. 37 UEAC.

11.5 Massive Mastschelle

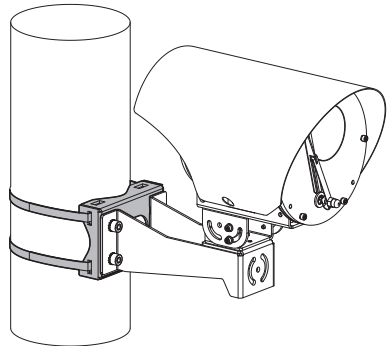


Abb. 38 UEAP.

11.6 Gegenplatte

Die Gegenplatte kann für die Wand- oder Deckenmontage verwendet werden, auch für Anwendungen mit Rohr. Die vier Löcher mit vergrößertem Achsabstand ermöglichen einen höheren mechanischen Widerstand.

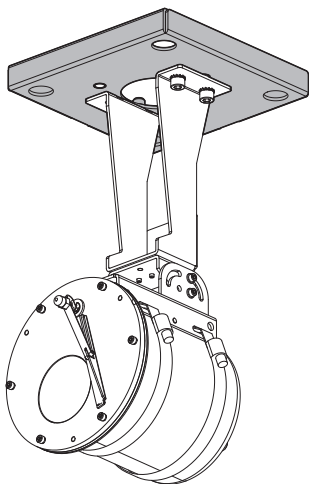


Abb. 39 UEAW.

11.7 Frontaler Staubschutzschild

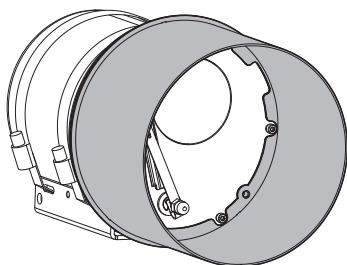


Abb. 40 NVXTUB.

12 Wartung

⚠ Vor technischen Eingriffen am Gerät muss die Stromversorgung unterbrochen werden.

⚠ ACHTUNG! Die Installation und Wartung der Vorrichtung ist technischen Fachleuten vorbehalten.

12.1 Sonnenschutzdach entfernen

Das Produkt wird mit dem bereits installierten Sonnenschutzdach geliefert.

Zu Installations- und Wartungszwecken kann das Sonnenschutzdach abmontiert werden. Die Schrauben des Sonnenschutzdachs lösen und das Sonnenschutzdach entfernen.

Das Sonnenschutzdach erneut montieren, bevor die Kamera an die Kamerahalterung befestigt wird.

**⚠ Auf die Befestigung achten.
Anzugsdrehmoment: 4Nm (± 0.5 Nm).**

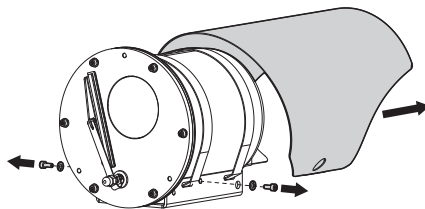


Abb. 41

12.2 Öffnen und Schließen der Kamera

Um einige Wartungsarbeiten durchzuführen, muss die Kamera geöffnet werden.



Den vorderen Schlitten vorsichtig entfernen. Darauf achten, die inneren Verbindungskabel nicht zu beschädigen.

Die Verschlusschraube lösen und den mit der Kameravorderseite verbundenen Schlitten entnehmen.

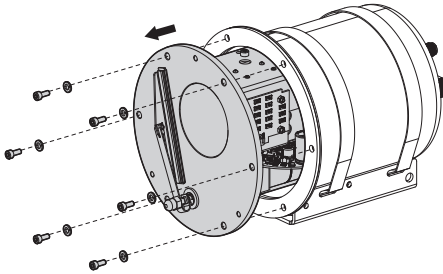


Abb. 42

Zum Schließen der Kamera den Vorgang in umgekehrter Reihenfolge ausführen.



Auf die Befestigung achten. Anzugsdrehmoment: 4.5Nm (±0.5Nm).

12.3 Beschreibung der Kameraplatine

BESCHREIBUNG DER PLATINE

Verbinder/ Klemme	Funktion
F1	Sicherung
SW1	Reset-Dipschalter

Tab. 7

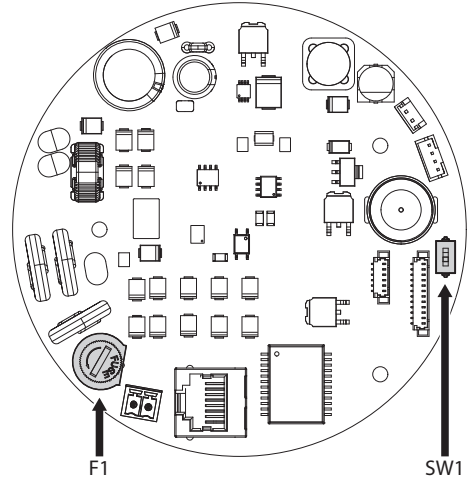


Abb. 43

12.4 Sicherung austauschen



ACHTUNG! Damit ein ständiger Brandschutz garantiert wird, sind die Sicherungen nur in dem gleichen Typ und Wert zu ersetzen. Die Sicherungen sind nur von Fachleuten zu ersetzen.

Im Bedarfsfall kann die Sicherung der Karte der Verbindungsstecker ausgewechselt werden. Die neue Sicherung muss den Angaben der Tabelle entsprechen.

WECHSEL DER SICHERUNGEN	
Spannung	Sicherung F1
24Vac, 50/60Hz	T 2A H 250V 5x20
24Vdc	

Tab. 8

Als Alternative eine zugelassene Sicherungen mit denselben Eigenschaften verwenden.

Zum Austauschen der Sicherung, die Kamera öffnen. (12.2 Öffnen und Schließen der Kamera, Seite 26).

Die auszutauschende Sicherung bestimmen.

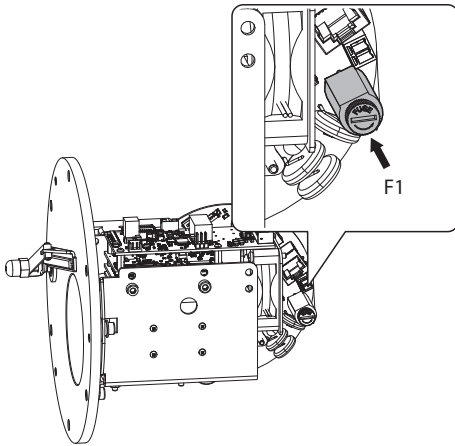


Abb. 44

12.5 Factory Default



Wenn die Factory-Default-Prozedur einmal abgeschlossen ist, muss die Einheit wie im entsprechenden Kapitel beschrieben konfiguriert werden (10.1 Vorgegebene IP-Adresse, Seite 23).

12.5.1 Factory Default, NVX (version mit Scheibenwischer), NTX

- Die Stromversorgung der Einheit trennen.
- Die Anschlüsse 4 und 5 von CONN 2 kurzschließen (oder die entsprechenden Leiter, Tab. 4, Seite 19).
- Die Einheit mit Strom versorgen. 2 Minuten warten.
- Die Stromversorgung der Einheit trennen.
- Den Kurzschluss beseitigen.
- Die Einheit mit Strom versorgen.

12.5.2 Factory Default, NVX (Ausführung ohne Scheibenwischer)

Die werkseitigen Anfangseinstellungen lassen sich wiederherstellen. Die folgende Prozedur ausführen:

- Die Stromversorgung der Einheit trennen.
- die Kamera öffnen (12.2 Öffnen und Schließen der Kamera, Seite 26).
- Den Reset-Dipschalter bestimmen (SW1, 12.3 Beschreibung der Kameraplattine, Seite 26).
- Den Reset-Dipschalter auf ON stellen.
- Die Einheit mit Strom versorgen. 2 Minuten warten.
- Die Stromversorgung der Einheit trennen.
- Den Reset-Dipschalter auf OFF stellen.
- Den Schlitten wieder einsetzen und die Kamera schließen. Genau darauf achten, die inneren Kabel beim Schließen nicht zu beschädigen.
- Die Einheit mit Strom versorgen.

13 Reinigung



Die Häufigkeit der Eingriffe hängt von der Umgebung ab, in der die Einheit verwendet wird.

13.1 Fensterreinigung



Zu vermeiden sind Äthylalkohol, Lösungsmittel, hydrierte Kohlenwasserstoffe, starke Säuren und alkalische Lösungen. Diese Produkte können die behandelte Oberfläche beschädigen.

Es wird empfohlen, ein weiches Tuch und neutrale mit Wasser verdünnte Seife oder ein spezifisches Reinigungsmittel für Brillengläser zu verwenden.

13.2 Putzen des Germaniumfensters



Zu vermeiden sind Äthylalkohol, Lösungsmittel, hydrierte Kohlenwasserstoffe, starke Säuren und alkalische Lösungen. Diese Produkte können die behandelte Oberfläche beschädigen.



Bei der Reinigung des Fensters ist darauf zu achten, dass die mit Carbon Coating behandelte Oberfläche nicht verkratzt oder gerillt wird. Wenn diese Beschichtung Schaden nimmt, besteht die Gefahr, dass die Durchlässigkeit der Oberfläche für Infrarotstrahlen beeinträchtigt wird.

Die Reinigung sollte mit einer milden Seife mit Wasser verdünnt erfolgen.

14 Informationen bezüglich Entsorgung und Recycling

Die EU-Richtlinie 2012/19/EU über Elektro- und Elektronik-Altgeräte (WEEE) verpflichtet, dass diese Geräte nicht zusammen mit festen Haushaltsabfällen entsorgt werden sollten. Diese besonderen Abfällen müssen separat gesammelt werden, um den Rückgewinnungsstrom und das Recycling der darin enthaltenen Materialien zu optimieren, sowie zur Minderung der Einwirkung auf die menschliche Gesundheit und Umwelt aufgrund des Vorhandenseins von potentiell gefährlichen Stoffen.



Das Symbol des gekreuzten Müllbehälters ist auf allen Produkten markiert, um sich daran zu erinnern.

Die Abfälle dürfen an die ausgewiesenen Müllsammelstellen gebracht werden. Andernfalls darf man es kostenlos an den Vertragshändler bringen, bei dem das Gerät gekauft wurde. Das kann beim Einkauf von neuen gleichartigen Produkten passieren oder auch ohne Verpflichtung eines Neukaufes, falls die Größe des Gerätes kleiner als 25 cm ist.

Mehr Informationen über die korrekte Entsorgung dieser Geräte erhalten Sie bei der entsprechenden Behörde.

15 Technische Daten

15.1 NVX

15.1.1 Allgemeines

Einfache Montage durch Schnellanschlüsse

Schnelle Einrichtung und Setup

15.1.2 Mechanik

Hergestellt aus rostfreiem Stahl AISI 316L

Langloch für die Sicherheitskette

Einheitsgewicht:

- 4.9kg (Befestigungshalterung inklusive)
- 4kg (Befestigungshalterung nicht enthalten)

15.1.3 Kamerafenster

Fenster Extraklarglas

- Stärke: 3mm

Polykarbonat-Fenster (nur für die Ausführung ohne Scheibenwischer erhältlich)

- Stärke: 3mm

15.1.4 Elektrik

Versorgungsspannung/Stromaufnahme:

- 24Vac, 1.32A, 50/60Hz
- 24Vdc, 0.9A
- PoE+ (IEEE 802.3at), nicht für die Ausführung mit VIDEOTEC Analytics verfügbar

Leistungsaufnahme

- Ausführungen ohne VIDEOTEC Analytics: 21W
- Ausführungen mit VIDEOTEC Analytics: 25.2W

15.1.5 Netzwerk

Ethernet-Verbindung: 100 Base-TX

Verbinder: RJ45

15.1.6 Video

Video-Encoder

- Kommunikationsprotokoll: ONVIF, Profil Q, Profil S und Profil T
- Gerätekonfiguration: TCP/IPv4-IPv6, UDP/IPv4-IPv6, HTTP, HTTPS, NTP, DHCP, WS-DISCOVERY, DSCP, IGMP (Multicast), SOAP, DNS
- Streaming: RTSP, RTCP, RTP/IPv4-IPv6, HTTP, Multicast
- Video-Komprimierung: H.264/AVC, MJPEG, JPEG, MPEG4
- 3 unabhängige Video-Streams Full HD
- Bildauflösung: von 320x180pixel bis zu 1920x1080pixel in 6 Schritten
- Wählbare Framerate von 1 bis 60 Bilder pro Sekunde
- Webserver
- Motion Detection
- Videoanalysen: VIDEOTEC ANALYTICS (Sonderausstattung)
- QoS: Differenzierte DSCPs für Streaming und Geräteverwaltung
- Protokolle SNMP und NTCIP

15.1.7 I/O-Schnittstelle

I/O Alarm-Karte (version mit Scheibenwischer)

- Eingang zum Zurücksetzen von fern: 1
- Relais-Ausgänge: 1+1 (1 Relais nur für die Scheibenwaschpumpe und ein konfigurierbares Relais, 1A, 30Vac/60Vdc max)

15.1.8 Kamera

Day/Night Full HD 30x DELUX

Auflösung: Full HD 1080p (1920x1080)

Image Sensor: 1/2.8" Exmor™ R CMOS sensor

Effektive Pixel: ca. 2.38 Megapixels

Mindestbeleuchtung:

- Farbe: 0.006lx (F1.6, 30 IRE)
- B/W: 0.0006lx (F1.6, 30 IRE)

Brennweitenlänge: von 4.5mm (wide) bis zu 135mm (Tele)

Zoom: 30x (480x mit digitalem Zoom)

Iris: von F1.6 bis zu F9.6 (Auto, Manuell)

Horizontale Blickwinkel: von 61.60° (wide end) bis zu 2.50° (tele end)

Vertikale Bildwinkel: von 37.07° (wide end) bis zu 1.44° (tele end)

Verschlusszeit: von 1/1s bis zu 1/10000s (Auto, Manuell)

Weißabgleich: Auto, Manuell

Gain: von 0dB bis zu 100dB (Auto, Manuell)

Wide Dynamic Range: 120dB

Focus System: Auto, Manuell, Trigger

Bildeffekte: E-flip, Farbverbesserung

Verringerung des Bildrauschens: 2D (3 Stufen), 3D (3 Stufen)

Belichtungskontrolle: Auto, Manuell, Priorität (Priorität Iris, Priorität Shutter), Helligkeit, Custom

De-fog: On/Off

Maskierung der Privatbereiche: maximale 8 einstellbare Masken

Indoor Flicker Reduction

Auto Slowshutter: Off, On (von 1/30s bis zu 1/1s)

Belichtung- korrektur: Off, On (von Stufe 0 bis zu Stufe 14)

Schärfe: von Stufe 0 bis zu Stufe 3

SONY FCB-EV7520 Day/Night Full HD 30x

Auflösung: Full HD 1080p (1920x1080)

Image Sensor: 1/2.8" Exmor™ R CMOS sensor

Effektive Pixel: ca. 2.13 Megapixels

Mindestbeleuchtung:

- Farbe: 0.0013lx (50 IRE, High sensitivity on)
- B/W: 0.0008lx (30 IRE, High sensitivity on)

Brennweitenlänge: von 4.3mm (wide) bis zu 129mm (Tele)

Zoom: 30x (360x mit digitalem Zoom)

Iris: von F1.6 bis zu F14 (Auto, Manuell)

Horizontale Blickwinkel: von 63.7° (wide end) bis zu 2.3° (tele end)

Vertikale Bildwinkel: von 38.5° (wide end) bis zu 1.3° (tele end)

Verschlusszeit: von 1/1s bis zu 1/10000s (Auto, Manuell)

Weißabgleich: Auto, Auto Tracing, Indoor, Outdoor, Manuell, Outdoor Auto, Sodium Lamp (Fix/Auto/Outdoor Auto)

Gain: von 0dB bis zu 50.0dB (Auto, Manuell)

Wide Dynamic Range: 120dB

Focus System: Auto (PTZ Trigger, Full Auto), Manuell

Bildeffekte: E-flip

Verringerung des Bildrauschens (2D, 3D): Off, On (von Stufe 1 bis zu Stufe 5)

Belichtungskontrolle: Auto, Manuell, Priorität (Shutter Priority, Iris Priority, Priorität Helligkeit)

De-fog: Off, Low, Mid, High

Maskierung der Privatbereiche (maximale 8 einstellbare Masken)

Indoor Flicker Reduction

Gain Limit: von 10.7dB bis zu 50dB

High sensitivity: On/Off

Backlight-Kompensation: On/Off

Auto Slowshutter: On/Off

Belichtung- korrektur: Off, On (von -10.5dB bis zu +10.5dB)

Schärfe: von Stufe 0 bis zu Stufe 15

High Light Compensation (HLC): Off, Low, Mid, High, Maskierungsstufe (Off, On, von Stufe 1 bis zu Stufe 15)

Digitale Bildstabilisierung: On/Off

15.1.9 Umgebung

Montage für den Innen- und Außenbereich

Betriebstemperatur

- Version mit 24Vac- oder 24Vdc-Spannungsversorgung: von -40°C bis zu +65°C (bis zu +50°C, für Ausführungen mit VIDEOTEC ANALYTICS)
- Version mit Versorgung PoE+: von -40°C bis zu +60°C
- Temperaturtest in Übereinstimmung mit NEMA-TS 2-2003 (R2008) Par. 2.1.5.1, Testprofil Abb. 2-1 (-34°C bis +74°C) (nicht für Ausführungen mit VIDEOTEC Analytics gültig)

Impulsfestigkeit: bis zu 1kV zwischen Leitung und Leitung, bis zu 2kV zwischen Leitung und Erde (Gruppe 3)

Relative Luftfeuchtigkeit: von 5% bis zu 95%

15.1.10 Zertifizierungen

Elektrische Sicherheit (CE): EN60950-1, IEC60950-1, EN62368-1, IEC62368-1

Elektromagnetische Verträglichkeit (CE): EN61000-6-4, EN50130-4, EN55032 (Klasse A), FCC Part 15 (Klasse A), ICES003

Außeninstallation (CE): EN60950-22, IEC60950-22

Schutzart IP (EN60529): IP66, IP67, IP68 (2h30min, 2m), IP69

UL- Zertifizierung (nicht für Ausführungen mit VIDEOTEC Analytics gültig): cULus Listed, TYPE 4X, TYPE 6P

EAC-Zertifizierung

KC-Zertifizierung (Zertifizierung nur für diese Codes gültig: NVX2xxxxJ)

15.1.11 Zertifizierungen - Bahnanwendungen

Die Ausführungen mit VIDEOTEC ANALYTICS sind für Anwendungen beim Zugverkehr nicht zertifiziert

In Übereinstimmung mit den Vorschriften für Anwendungen beim Zugverkehr: EN50121-4 (nur mit 24Vac- oder 24Vdc-Spannungsversorgung)

15.1.12 Zertifizierungen - Marine- Anwendungen

Die Ausführungen mit VIDEOTEC ANALYTICS sind für Marine-Anwendungen nicht zertifiziert

Lloyd's Register Marine Type Approval

- Test Specification Number 1 (ENV1, ENV2, ENV3, ENV5)

Elektromagnetische Verträglichkeit: EN60945

Salznebelbeständig: EN60068-2-52

Getestet bei 70°C für 16 Stunden in Übereinstimmung mit EN60068-2-2

15.2 NTX

15.2.1 Allgemeines

Einfache Montage durch Schnellanschlüsse

Schnelle Einrichtung und Setup

15.2.2 Mechanik

Hergestellt aus rostfreiem Stahl AISI 316L

Langloch für die Sicherheitskette

Einheitsgewicht:

- 4.9kg (Befestigungshalterung inklusive)
- 4kg (Befestigungshalterung nicht enthalten)

15.2.3 Kamerafenster

Fensterscheibe aus Germanium

- Stärke: 1.5mm
- Außenbehandlung: kratzfest (Hard Carbon Coating - DLC), entspiegelt
- Innenbehandlung: entspiegelt
- Spektralbereich: von 7.5µm bis zu 14µm
- Mittel Transmittanz (von 7.5µm bis zu 11.5µm): 91.2%
- Mittel Transmittanz (von 11.5µm bis zu 14µm): 80.9%

15.2.4 Elektrik

Versorgungsspannung/Stromaufnahme:

- 24Vac, 1.32A, 50/60Hz
- 24Vdc, 0.9A
- PoE+ (IEEE 802.3at)

Leistungsaufnahme: 21W

15.2.5 Netzwerk

Ethernet-Verbindung: 100 Base-TX

Verbinder: RJ45

15.2.6 Video

Video-Encoder

- Kommunikationsprotokoll: ONVIF, Profil Q, Profil S und Profil T, ONVIF Thermal Service
- Gerätekonfiguration: TCP/IPv4-IPv6, UDP/IPv4-IPv6, HTTP, HTTPS, NTP, DHCP, WSDISCOVERY, DSCP, IGMP (Multicast), SOAP, DNS
- Streaming: RTSP, RTCP, RTP/IPv4-IPv6, HTTP, Multicast
- Video-Komprimierung: H.264/AVC, MJPEG, JPEG, MPEG4
- 3 unabhängige Video-Streams
- Bildauflösung: von 320x180pixel bis zu 720x480pixel in 4 Schritten
- Wählbare Framerate von 1 bis 30 Bilder pro Sekunde
- Webserver
- Motion Detection
- QoS: Differenzierte DSCPs für Streaming und Geräteverwaltung
- Protokolle SNMP und NTCIP

15.2.7 I/O-Schnittstelle

I/O Alarm-Karte

- Eingang zum Zurücksetzen von fern: 1
- Relaisausgang: 1 (1A, 30Vac/60Vdc max)

15.2.8 Kamera

WÄRMEBILDKAMERAS (AUFLÖSUNG 336X256)					
	Objectiv 9mm	Objectiv 13mm	Objectiv 19mm	Objectiv 25mm	Objectiv 35mm
Image Sensor	Ungekühltes Vanadiumoxid-Mikrobolometer (VOx)	Ungekühltes Vanadiumoxid-Mikrobolometer (VOx)	Ungekühltes Vanadiumoxid-Mikrobolometer (VOx)	Ungekühltes Vanadiumoxid-Mikrobolometer (VOx)	Ungekühltes Vanadiumoxid-Mikrobolometer (VOx)
Interpolierte Auflösung	720x480	720x480	720x480	720x480	720x480
Pixelzahl	17µm	17µm	17µm	17µm	17µm
Spektrale Empfindlichkeit - langwellige Infrarotstrahlung (LWIR)	von 7.5µm bis 13.5µm	von 7.5µm bis 13.5µm	von 7.5µm bis 13.5µm	von 7.5µm bis 13.5µm	von 7.5µm bis 13.5µm
Interne Blende (nur zur Sensor-Kompensation)	Video stop < 1s	Video stop < 1s	Video stop < 1s	Video stop < 1s	Video stop < 1s
Digital Detail Enhancement (DDE)	✓	✓	✓	✓	✓
Digital-Zoom	2x, 4x	2x, 4x	2x, 4x	2x, 4x	2x, 4x
Bildwiederholfrquenz	7.5fps	7.5fps	7.5fps	7.5fps	7.5fps
Hohe Bildwiederholfrquenz	30fps	30fps	30fps	30fps	30fps
Szenebereich (High Gain)	-40°C ÷ +160°C	-40°C ÷ +160°C	-40°C ÷ +160°C	-40°C ÷ +160°C	-40°C ÷ +160°C
Szenebereich (Low Gain)	-40°C ÷ +550°C	-40°C ÷ +550°C	-40°C ÷ +550°C	-40°C ÷ +550°C	-40°C ÷ +550°C
Horizontaler Sehbereich	35°	25°	17°	13°	9,3°
Vertikaler Sehbereich	27°	19°	13°	10°	7,1°
F-number	F/1.25	F/1.25	F/1.25	F/1.1	F/1.2
Thermische Empfindlichkeit (NETD), Wärmebildkamera mit radiometrischen Funktionen	< 50mK bei f/1.0	< 50mK bei f/1.0	< 50mK bei f/1.0	< 50mK bei f/1.0	< 50mK bei f/1.0
Thermische Empfindlichkeit (NETD), Wärmebildkamera mit erweiterten radiometrischen Funktionen	< 30mK bei f/1.0	< 30mK bei f/1.0	< 30mK bei f/1.0	< 30mK bei f/1.0	< 30mK bei f/1.0
Mensch (Erfassung / Erkennung / Identifizierung)	285m / 71m / 36m	440m / 112m / 56m	640m / 160m / 80m	930m / 230m / 116m	1280m / 320m / 160m
Auto (Erfassung / Erkennung / Identifizierung)	880m / 220m / 108m	1340m / 340m / 170m	1950m / 500m / 250m	2800m / 710m / 360m	3850m / 950m / 295m

Die radiometrische Analyse hat keinen Einfluss auf die Kameraleistung.

WÄRMEBILDKAMERAS (AUFLÖSUNG 640X512)					
	Objectiv 9mm	Objectiv 13mm	Objectiv 19mm	Objectiv 25mm	Objectiv 35mm
Image Sensor	Ungekühltes Vanadiumoxid-Mikrobolometer (VOx)	Ungekühltes Vanadiumoxid-Mikrobolometer (VOx)	Ungekühltes Vanadiumoxid-Mikrobolometer (VOx)	Ungekühltes Vanadiumoxid-Mikrobolometer (VOx)	Ungekühltes Vanadiumoxid-Mikrobolometer (VOx)
Interpolierte Auflösung	720x480	720x480	720x480	720x480	720x480
Pixelzahl	17µm	17µm	17µm	17µm	17µm
Spektrale Empfindlichkeit - langwellige Infrarotstrahlung (LWIR)	von 7.5µm bis 13.5µm	von 7.5µm bis 13.5µm	von 7.5µm bis 13.5µm	von 7.5µm bis 13.5µm	von 7.5µm bis 13.5µm
Interne Blende (nur zur Sensor-Kompensation)	Video stop < 1s	Video stop < 1s	Video stop < 1s	Video stop < 1s	Video stop < 1s
Digital Detail Enhancement (DDE)	✓	✓	✓	✓	✓
Digital-Zoom	2x, 4x, 8x	2x, 4x, 8x	2x, 4x, 8x	2x, 4x, 8x	2x, 4x, 8x
Bildwiederholfrquenz	7.5fps	7.5fps	7.5fps	7.5fps	7.5fps
Hohe Bildwiederholfrquenz	30fps	30fps	30fps	30fps	30fps
Szenebereich (High Gain)	-40°C ÷ +160°C	-40°C ÷ +160°C	-40°C ÷ +160°C	-40°C ÷ +160°C	-40°C ÷ +160°C
Szenebereich (Low Gain)	-40°C ÷ +550°C	-40°C ÷ +550°C	-40°C ÷ +550°C	-40°C ÷ +550°C	-40°C ÷ +550°C
Horizontaler Sehbereich	69°	45°	32°	25°	18°
Vertikaler Sehbereich	56°	37°	26°	20°	14°
F-number	F/1.4	F/1.25	F/1.25	F/1.1	F/1.2
Thermische Empfindlichkeit (NETD), Wärmebildkamera mit radiometrischen Funktionen	< 50mK bei f/1.0	< 50mK bei f/1.0	< 50mK bei f/1.0	< 50mK bei f/1.0	< 50mK bei f/1.0
Thermische Empfindlichkeit (NETD), Wärmebildkamera mit erweiterten radiometrischen Funktionen	< 30mK bei f/1.0	< 30mK bei f/1.0	< 30mK bei f/1.0	< 30mK bei f/1.0	< 30mK bei f/1.0
Mensch (Erfassung / Erkennung / Identifizierung)	250m / 63m / 31m	390m / 95m / 47m	570m / 144m / 72m	820m / 210m / 104m	1140m / 280m / 142m
Auto (Erfassung / Erkennung / Identifizierung)	720m / 175m / 88m	1080m / 275m / 140m	1550m / 400m / 200m	2200m / 580m / 290m	3000m / 800m / 200m

Die radiometrische Analyse hat keinen Einfluss auf die Kameraleistung.

15.2.9 Umgebung

Montage für den Innen- und Außenbereich

Betriebstemperatur

- Version mit 24Vac- oder 24Vdc-Spannungsversorgung: von -40°C bis zu +65°C
- Version mit Versorgung PoE+: von -40°C bis zu +60°C
- Temperaturtest in Übereinstimmung mit NEMA-TS 2-2003 (R2008) Par. 2.1.5.1, Testprofil Abb. 2-1 (-34°C bis +74°C)

Impulsfestigkeit: bis zu 1kV zwischen Leitung und Leitung, bis zu 2kV zwischen Leitung und Erde (Gruppe 3)

Relative Luftfeuchtigkeit: von 5% bis zu 95%

15.2.10 Zertifizierungen

Elektrische Sicherheit (CE): EN60950-1, IEC60950-1, EN62368-1, IEC62368-1

Elektromagnetische Verträglichkeit (CE): EN61000-6-4, EN50130-4, EN55032 (Klasse A), FCC Part 15 (Klasse A), ICES003

Außeninstallation (CE): EN60950-22, IEC60950-22

Schutzart IP (EN60529): IP66, IP67, IP68 (2h30min, 2m), IP69

UL- Zertifizierung: cULus Listed, TYPE 4X, TYPE 6P

EAC-Zertifizierung

15.2.11 Zertifizierungen - Bahnanwendungen

In Übereinstimmung mit den Vorschriften für Anwendungen beim Zugverkehr: EN50121-4 (nur mit 24Vac- oder 24Vdc-Spannungsversorgung)

15.2.12 Zertifizierungen - Marine- Anwendungen

Lloyd's Register Marine Type Approval

- Test Specification Number 1 (ENV1, ENV2, ENV3, ENV5)

Elektromagnetische Verträglichkeit: EN60945

Salznebelbeständig: EN60068-2-52

Getestet bei 70°C für 16 Stunden in Übereinstimmung mit EN60068-2-2

16 Technische Zeichnungen

i Die Maße sind in Millimetern angegeben.

DE - Deutsch - Bedienungsanleitung

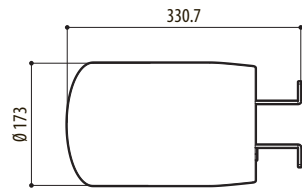
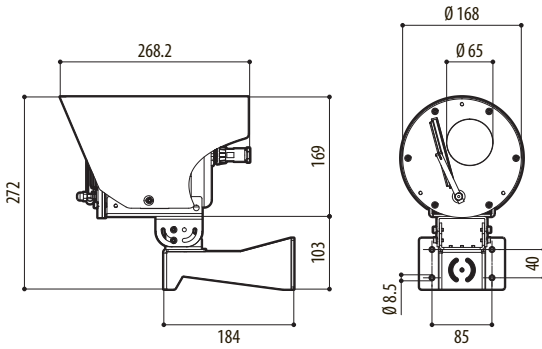


Abb. 45 NVX, Wandbefestigung.

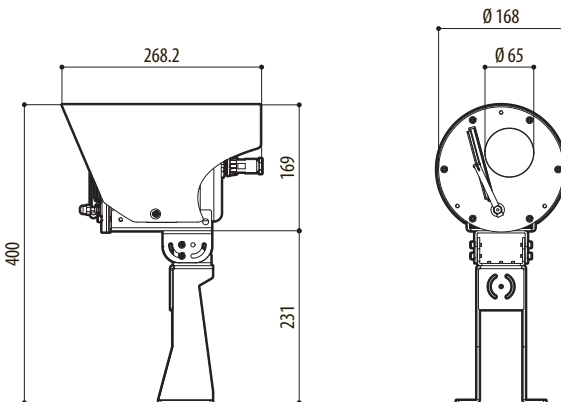
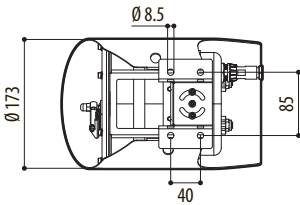


Abb. 46 NVX, befestigung an der Brüstung.

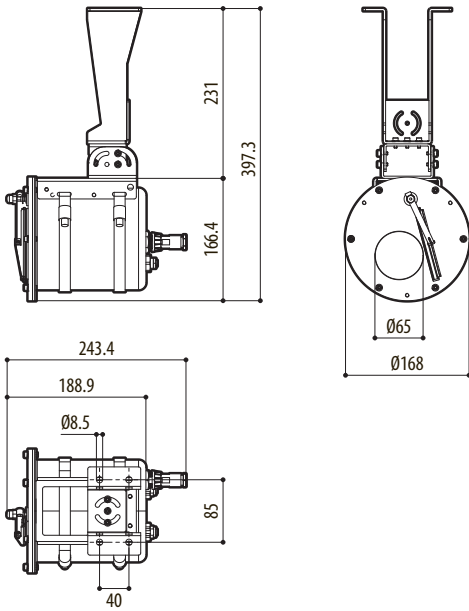


Abb. 47 NVX, deckenbefestigung.

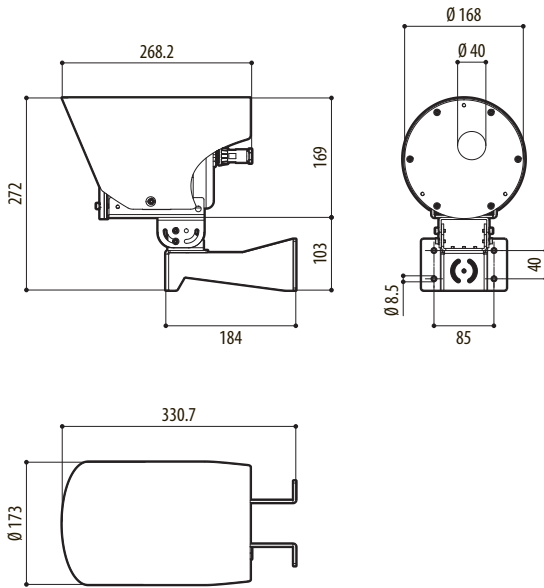


Abb. 48 NTX, Wandbefestigung.

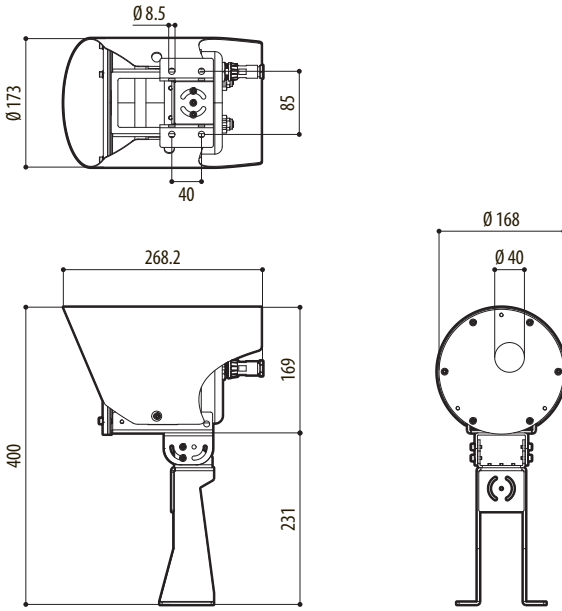


Abb. 49 NTX, befestigung an der Brüstung.

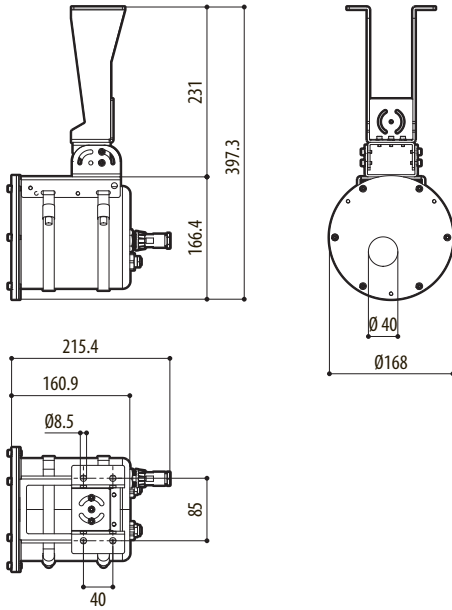


Abb. 50 NTX, deckenbefestigung.



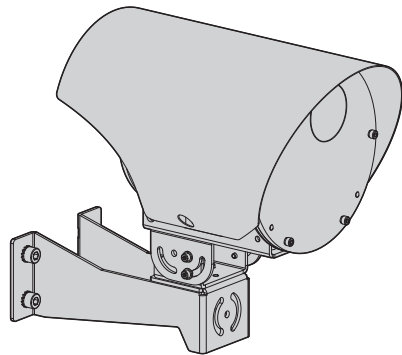
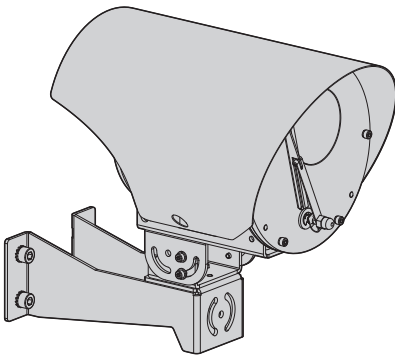
Headquarters Italy Videotec s.r.l.
Via Friuli, 6 - I-36015 Schio (VI) - Italy
Tel. +39 0445 697411 - Fax +39 0445 697414
Email: info@videotec.com
www.videotec.com

MNVCNVX_2222_DE



NVX NTX

Камера защитой от коррозии



Комплект оборудования

1 О настоящем руководстве.....	7
1.1 Типографские условные обозначения	7
2 Примечания в отношении авторского права и информация о торговых марках.....	7
3 Примечания по защите данных	7
3.1 Общая информация	7
4 Правила техники безопасности	8
5 Обозначение.....	10
5.1 Описание и обозначение типа устройства.....	10
5.1.1 NVX	10
5.1.2 NTX.....	10
5.2 Общий вид изделия.....	10
5.3 Маркировка изделия.....	11
5.3.1 Проверка маркировки	11
6 Модели	11
6.1 NVX.....	11
6.1.1 Модель со встроенным стеклоочистителем.....	11
6.1.2 Версия без стеклоочистителя.....	11
6.1.3 Камера Day/Night.....	11
6.1.4 VIDEOTEC ANALYTICS	11
6.2 NTX	11
6.2.1 Германиевое окно	11
6.3 Идентификация модели	12
7 Подготовка устройства к использованию.....	13
7.1 Распаковка.....	13
7.2 Безопасная утилизация упаковочных материалов	13
7.3 Комплект оборудования	13
7.4 Подготовительные работы перед установкой.....	14
7.4.1 Установка на стене, парапете или потолке	14
7.4.2 Варианты установки.....	16
8 Монтаж	18
8.1 Функциональное заземление.....	18
8.2 Кабельная проводка для быстроразъемного подключения	18
8.2.1 Кабельная проводка для штепсельного соединения (источник питания, I/O)	19
8.2.2 Подключение реле.....	20
8.2.3 Кабельная проводка для штепсельного разъема (Ethernet, PoE+)	21
8.2.4 Подключение Ethernet-кабеля	22
9 Включение	22
10 Конфигурация	23
10.1 IP-адрес по умолчанию.....	23
10.2 Веб-интерфейс	23
10.2.1 Первый вход на веб-страницу	23

11 Принадлежности и опоры.....	23
11.1 Омыватель (Washer).....	23
11.2 Опорный кронштейн для светодиодной подсветки.....	24
11.3 Светодиодный осветитель.....	24
11.4 Адаптер для крепления на угол	24
11.5 Адаптер для установки на стойке	24
11.6 Пластина крепления.....	25
11.7 Передний козырек для защиты от пыли	25
12 Техническое обслуживание	25
12.1 Снятие козырька	25
12.2 Открытие и закрытие кожуха.....	26
12.3 Описание платы камеры.....	26
12.4 Замена предохранителя	27
12.5 Factory Default	27
12.5.1 Factory Default, NVX (модель со стеклоочистителем), NTX.....	27
12.5.2 Factory Default, NVX (версия без стеклоочистителя).....	27
13 Очистка.....	28
13.1 Очистка стекла.....	28
13.2 Очистка германиевого окна	28
14 Информация об утилизации и переработке.....	28
15 Технические характеристики	29
15.1 NVX.....	29
15.1.1 Общие сведения	29
15.1.2 Механические хар.....	29
15.1.3 Окно камеры	29
15.1.4 Электрические хар.	29
15.1.5 Сеть	29
15.1.6 Видео.....	29
15.1.7 Интерфейс ввода-вывода	29
15.1.8 Камеры	30
15.1.9 Окружающая среда	31
15.1.10 Сертификаты	31
15.1.11 Сертификаты - Применение на железной дороге	31
15.1.12 Сертификаты - Морское применение	31
15.2 NTX.....	32
15.2.1 Общие сведения	32
15.2.2 Механические хар.....	32
15.2.3 Окно камеры	32
15.2.4 Электрические хар.	32
15.2.5 Сеть	32
15.2.6 Видео.....	32
15.2.7 Интерфейс ввода-вывода.....	32
15.2.8 Камеры	33
15.2.9 Окружающая среда	35
15.2.10 Сертификаты	35
15.2.11 Сертификаты - Применение на железной дороге	35

15.2.12 Сертификаты - Морское применение	35
16 Технические чертежи	36

1 О настоящем руководстве

Перед установкой и использованием этого изделия внимательно прочтите всю предоставленную документацию. Всегда держите руководство под рукой, чтобы им можно было воспользоваться в будущем.

1.1 Типографские условные обозначения



ОПАСНОСТЬ!

Высокий уровень опасности.
Риск поражения электрическим током.
При отсутствии иных указаний отключите питание устройства, перед тем как приступить к выполнению любой операции.



ОПАСНОСТЬ!

Опасность механического повреждения.
Риск раздавливания или отрезания.



ОПАСНОСТЬ!

Горячая поверхность.
Избегайте контакта. При контакте с горячими поверхностями существует риск получения ожогов.



ПРЕДУПРЕЖДЕНИЕ!

Средний уровень опасности.
Данная операция крайне важна для обеспечения надлежащего функционирования системы.
Внимательно ознакомьтесь с описанием процедуры и выполните ее в соответствии с приведенными указаниями.



INFO

Описание характеристик системы.
Рекомендуем внимательно ознакомиться с содержанием этого раздела, для того чтобы понять следующие этапы.

2 Примечания в отношении авторского права и информация о торговых марках

Названия устройств или компаний, упоминаемые в настоящем документе, являются торговыми марками или зарегистрированными торговыми знаками соответствующих компаний.

Microsoft Edge®, Windows XP®, Windows Vista®, Windows 7®, Windows 8®, Windows 10® являются собственностью Microsoft Corporation.

Торговая марка Google Chrome® принадлежит Google LLC.

Торговая марка Mozilla Firefox® принадлежит Mozilla Foundation.

INTEL® Core™ 2 Duo, INTEL® Core™ 2 Quad, INTEL® Xeon® являются собственностью Intel Corporation.

Торговая марка ONVIF® принадлежит Onvif, Inc.

3 Примечания по защите данных

3.1 Общая информация

VIDEOTEC s.r.l. производит устройства видеонаблюдения исключительно для профессионального применения. Продукция VIDEOTEC s.r.l. может использоваться в технических областях для самых разных целей: от контроля за городской безопасностью до наблюдения за производственными процессами в районах, подверженных риску, а также для мониторинга и защиты окружающей среды.

Некоторые из этих применений могут подразумевать обработку персональных данных теми, кто использует систему видеонаблюдения с установленной и интегрированной в ней продукцией VIDEOTEC s.r.l..

Разнообразные сценарии применения не позволяют использовать стандартные меры безопасности ИТ, установленные по умолчанию в продукции, которая была бы совместима с любым сценарием применения и техническими условиями. В частности, некоторые меры безопасности (включая меры, которые регулируются отраслевым стандартом в устройствах, предназначенных для непрофессионального использования), могут быть несовместимыми или ненужными в конкретных технических условиях или, напротив, недостаточными.

По этой причине важно, чтобы анализ рисков, связанных с аспектами ИТ-безопасности в контексте местных правил, применяемых в отношении защиты персональных данных, осуществлялся специализированным персоналом, отвечающим за конечную продукцию, поставляемую потребителю.

Следовательно, пользователь продукции при помощи специализированного персонала ИТ-безопасности должен определить личную ответственность:

- Активировать некоторые или все функции безопасности, предлагаемые в устройстве VIDEOTEC s.r.l.;
- Использовать различные меры безопасности на системном уровне;
- Использовать оба варианта.

Вышеприведенный выбор должен быть сделан на основе требуемых технических и нормативных условий, а также типа данных, обрабатываемых системой видеонаблюдения.

Учитывая тип технических условий, в которых устройства VIDEOTEC s.r.l. обычно используются, невозможно и не рекомендуется, чтобы прошивка этих устройств автоматически обновлялась через Интернет. VIDEOTEC s.r.l. со временем может выпускать обновления мер безопасности для своих устройств, которые должны быть установлены пользователем вручную путем обращения к специализированному персоналу, в случае активации некоторых или всех функций безопасности, предлагаемых в устройстве. Пользователь должен иметь постоянный доступ к корпоративным коммуникационным каналам VIDEOTEC s.r.l. для проверки обновлений прошивки.

4 Правила техники безопасности



ПРЕДУПРЕЖДЕНИЕ! Система электропитания, к которой подключается устройство, должна быть оснащена двухполюсным автоматическим прерывателем цепи номинальным током 10А max. Этот выключатель выбирается из перечисленных в списке. Минимальное расстояние между контактами автоматического выключателя цепи должно составлять 3mm. Выключатель цепи должен иметь защиту от тока КЗ на землю (дифференциальная защита) и защиту от перегрузки по току (термомагнитная защита).



ПРЕДУПРЕЖДЕНИЕ! Установка и обслуживание устройства должны осуществляться только специализированным персоналом.



ПРЕДУПРЕЖДЕНИЕ! Система типа НТС-1 Это система типа НТС-1, не подключайте ее к СБН-схемам.



ПРЕДУПРЕЖДЕНИЕ! Для обеспечения постоянной защиты от риска возгорания при замене предохранителей следует использовать предохранители того же типа и номинала. Только обслуживающий персонал может проводить замену предохранителей.

- Производитель не несет ответственности за любые повреждения, возникающие в результате неправильного использования указанного в настоящем руководстве оборудования. Помимо этого, производитель сохраняет за собой право изменять содержание руководства без предварительного уведомления. Представленная в настоящем руководстве документация прошла тщательную проверку. Однако производитель не несет ответственности за ее использование. Аналогичные условия предусмотрены в отношении любого лица или компании, привлеченных для составления и создания данного руководства.
- Перед тем, как приступить к выполнению любых операций, убедитесь в том, что источник питания устройства отключен.
- Не используйте кабели, которые кажутся изношенными или старыми.

- Никогда и ни при каких обстоятельствах не выполняйте изменений или подключений, не предусмотренных настоящим руководством. Ненадлежащее использование оборудования может привести к возникновению серьезных опасных ситуаций, угрожающих безопасности персонала и системы.
- Используйте только оригинальные запасные части. Неоригинальные запасные части могут привести к возникновению пожара, электрического разряда или другой опасной ситуации.
- Перед монтажом проверьте соответствие поставленных материалов спецификациям заказа, сверив идентификационные ярлыки (5.3 Маркировка изделия, страница 11).
- Поскольку пользователь самостоятельно выбирает поверхность, на которой будет закреплено устройство, мы не предоставляем крепежные приспособления для надежной фиксации оборудования на определенной поверхности. За выбор крепежных приспособлений, подходящих для соответствующей поверхности, отвечает установщик. Рекомендуется использовать методы и материалы, которые способны выдерживать вес, превышающий вес устройства минимум в 4 раза.
- Выбирайте место для установки, поверхность которого достаточно прочная и способна выдержать вес устройства, при этом необходимо помнить об особых факторах окружающей среды, например, воздействии сильного ветра.
- Это устройство разработано для подключения и установки на здании или подходящей конструкции на постоянной основе. Устройство следует надежно закрепить и подключить перед выполнением каких-либо работ.
- Перед тем как включить питание, убедитесь в том, что устройство надежно зафиксировано.
- Установка оборудования, предназначенного для использования в зонах с ограниченным доступом, должна осуществляться только квалифицированным техническим персоналом.
- Обращайтесь с устройством осторожно, чтобы избежать случайного контакта, острых углов и кромок.
- Развязка цепей обеспечивается внешними устройствами, например, защитным трансформатором и (или) изолированным источником питания постоянного тока.
- Для питания устройства используется защитный трансформатор и (или) изолированный источник питания постоянного тока, обладающий соответствующими характеристиками. Выходная мощность не должна превышать указанные ниже значения. Напряжение сети питания: 24Vac ($\pm 10\%$) или 24Vdc ($\pm 5\%$).
- Электрическая система оснащается выключателем питания, который можно легко найти и использовать в случае необходимости.
- Техническое обслуживание должно проводиться только уполномоченным техническим персоналом.
- Во время установки используйте соответствующие средства индивидуальной защиты.
- При установке устройства должны соблюдаться национальные правила.
- Это устройство Класса А. При установке в жилых помещениях данное устройство может вызывать радиопомехи. В таком случае пользователю может потребоваться предпринять соответствующие меры.
- Подключите устройство к источнику питания в соответствии с указаниями на этикетке с маркировкой. Перед тем как продолжить установку, убедитесь, что линия питания надлежащим образом изолирована.
- Устройство следует подключать через соответствующий источник бесперебойного питания (ИБП) в целях компенсации кратковременной посадки напряжения или кратковременного нарушения электроснабжения.
- Подключите устройство к электросети 24 В переменного тока, 24 В постоянного тока или, в случае моделей без карты для видеонализа, к источнику питания (PSE), работающему по стандарту IEEE 802.3ат (PoE +).
- В случае источников питания напряжением 24Vac необходимо обеспечить разделение с линией питания переменного тока с помощью двойной или армированной изоляции на участке между основной линией питания и вторичным контуром.

5 Обозначение

5.1 Описание и обозначение типа устройства

5.1.1 NVX

Модель NVX является камерой FULL HD, созданной для работы в условиях сверхнизкой освещенности и имеющей высокую устойчивость к коррозии.

В производстве камеры NVX использована только нержавеющая сталь AISI 316L; от других моделей ее отличает компактная и легкая конструкция, которая наряду с быстроразъемным подключением облегчает установку и техническое обслуживание.

В стандартную комплектацию входит модульный кронштейн для установки на стену, потолок или парапет.

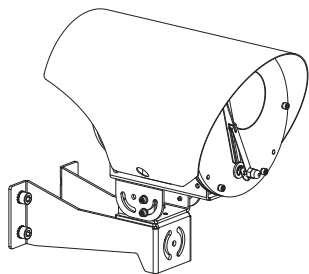


Рис. 1 NVX.

5.1.2 NTX

Модель NTX является тепловизионной камерой IP имеющей высокую устойчивость к коррозии.

Тепловизор обеспечивает возможность наблюдения в полной темноте, при наличии тумана, дождя, задымленности или на дальнем расстоянии.

Германиевое окно с внешней стороны имеет покрытие антибликовое, Hard Carbon Coating (DLC) и покрытие устойчивое к появлению царапин, а с внутренней стороны стекла имеет антибликовое покрытие; спектральный диапазон: от 7,5μm до 14μm.

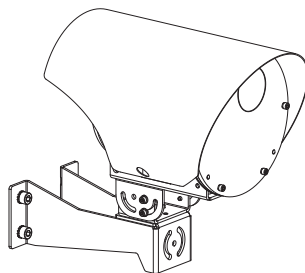


Рис. 2 NTX.

5.2 Общий вид изделия

Ниже представлены основные компоненты устройства.

1. Кронштейн для фиксации.
2. Поворотная опора.
3. Опора камеры.
4. Солнцезащитный козырек.
5. Камера.

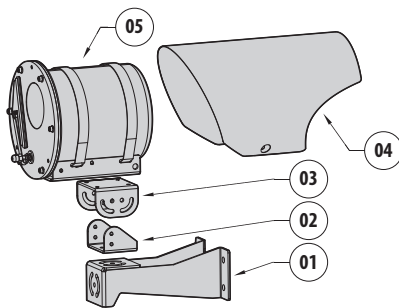


Рис. 3

5.3 Маркировка изделия

См. ярлык на изделии.

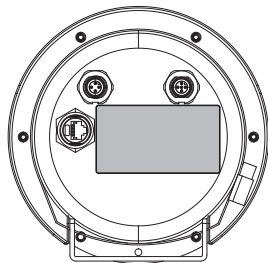


Рис. 4

На этикетке указаны:

- Идентификационный код модели.
- Напряжение сети питания (V).
- Частота (Hz).
- Макс. ток (A).
- Серийный номер.

5.3.1 Проверка маркировки

Перед тем как продолжить установку, убедитесь, что предоставленные материалы соответствуют спецификациям заказа, проверив этикетки с маркировкой.

Никогда и ни при каких обстоятельствах не выполняйте изменений или подключений, не предусмотренных настоящим руководством. Ненадлежащее использование оборудования может привести к возникновению серьезных опасных ситуаций, угрожающих безопасности персонала и системы.

6 Модели

6.1 NVX

6.1.1 Модель со встроенным стеклоочистителем

В стандартной версии изделие оснащено встроенным стеклоочистителем.

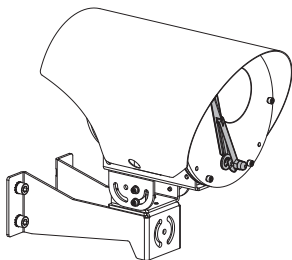


Рис. 5

MNVCNVX_2222_RU

6.1.2 Версия без стеклоочистителя

Доступна упрощенная версия изделия без стеклоочистителя.

Доступны версии со стеклянным или поликарбонатным окном.

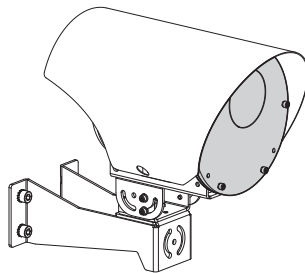


Рис. 6

6.1.3 Камера Day/Night

Это исполнение продукта оснащено камерой Full HD с дневным/ночным режимом.

6.1.4 VIDEOTEC ANALYTICS

Это исполнение продукта включает функцию анализа видео VIDEOTEC Analytics.

6.2 NTX

6.2.1 Германиевое окно

Модель с германиевым окном была разработана для использования в сочетании с тепловизорами.

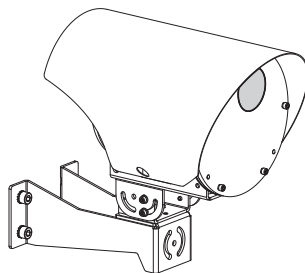


Рис. 7

6.3 Идентификация модели

NVX - ОПЦИИ КОНФИГУРАЦИЙ						
	Напряжение	Камера	Модели	Видеоанализ	Редакция	
NVX	2 24Vac/24Vdc/PoE+	10 Камера для сверхнизкого освещения, дневной/ночной режим, FULL HD 1080p, 30x, с технологией DELUX	W Со стеклоочистителем	00 Без встроенной функции анализа видеоданных (Без VIDEOTEC ANALYTICS)	A Соответствие стандарту ONVIF, Профилю Q, Профилю S и Профилю T	
		20 Камера SONY FCB-EV7520, FULL HD 1080p, 30x	S Без стеклоочистителя/Стеклоочистительное окно	01 Со встроенной функцией анализа видеоданных (VIDEOTEC ANALYTICS)	J Соответствие стандарту ONVIF, Профилю S и Профилю T	
			P Без стеклоочистителя/Окно из поликарбоната			

Табл. 1 NVX.

NTX - ОПЦИИ КОНФИГУРАЦИЙ									
	Напряжение	Камера	Радиометрия	Модель					Частота тепловой камеры
NTX	2 24Vac/24Vdc/PoE+	D Тепловизор 35mm, 640x512	O Тепловизионная камера с радиометрическими функциями	R Германиевое окно	O	O	A	-	7.5Hz
		E Тепловизор 25mm, 640x512	R Тепловизионная камера с расширенными радиометрическими функциями					H	30Hz
		U Тепловизор 19mm, 640x512							
		G Тепловая камера 13mm, 640x512							
		H Тепловизор 9mm, 640x512							
		I Тепловизор 35mm, 336x256							
		L Тепловизор 25mm, 336x256							
		Z Тепловизор 19mm, 336x256							
		M Тепловизор 13mm, 336x256							
		Q Тепловизор 9mm, 336x256							

Табл. 2 NTX.

7 Подготовка устройства к использованию



Любое изменение, которое выполняется без разрешения, явным образом предоставленного производителем, аннулирует гарантию.

7.1 Распаковка

При получении устройства убедитесь, что упаковка не повреждена и не имеет явных признаков падения или царапин.

В случае наличия видимых повреждений незамедлительно свяжитесь с поставщиком.

В случае возврата неисправного устройства мы рекомендуем использовать оригинальную упаковку для транспортировки.

Сохраняйте упаковку на случай, если потребуется отправить устройство на ремонт.

7.2 Безопасная утилизация упаковочных материалов

Упаковочные материалы могут подвергаться переработке. Технический специалист установщика отвечает за сортировку материалов для переработки, а также за соблюдение требований законодательства, действующего в месте установки устройства.

7.3 Комплект оборудования

Проверьте комплект оборудования на соответствие представленному ниже списку материалов:

- Камера
- Кронштейн для фиксации
- Поворотная опора
- Опора камеры
- Солнцезащитный козырек
- Оснащение:
 - Разъемы для быстрого подключения и заглушки
 - Руководство по эксплуатации
 - Болты и винты (модель со стеклоочистителем)
 - Поддержка системы омывателя (модель со стеклоочистителем)
 - Форсунка для системы омывателя (модель со стеклоочистителем)
 - Кабельная стяжка (модель со стеклоочистителем)
- Вспомогательное оборудование:
 - Ключ шестигранник
 - Болты и винты

7.4 Подготовительные работы перед установкой

! **ПРЕДУПРЕЖДЕНИЕ!** Установка и обслуживание устройства должны осуществляться только специализированным персоналом.

! Для установки используйте подходящие инструменты. Особый характер места установки устройства может потребовать использования специальных инструментов.

! Устройство должно крепиться с помощью соответствующих приспособлений. Крепежные элементы должны гарантировать механическую герметичность и выдерживать как минимум четырехкратный вес устройства.

! Выбирайте место для установки, поверхность которого достаточно прочная и способна выдержать вес устройства, при этом необходимо помнить об особых факторах окружающей среды, например, воздействии сильного ветра.

! Устройство необходимо устанавливать таким образом, чтобы избежать нанесения травм движущимися частями оборудования. Также при установке следует проверить, чтобы движущиеся части не задевали другие предметы и не создавали опасные ситуации.

! Пред тем как включить питание, убедитесь в том, что устройство надежно зафиксировано.

! Техническое обслуживание должно проводиться только уполномоченным техническим персоналом.

i Поскольку пользователь самостоятельно выбирает поверхность, на которой будет закреплено устройство, мы не предоставляем крепежные приспособления для надежной фиксации оборудования на определенной поверхности. За выбор крепежных приспособлений, подходящих для соответствующей поверхности, отвечает установщик.

7.4.1 Установка на стене, парапете или потолке

Изделие можно установить на стене, парапете или потолке.

Закрепите кронштейн для фиксации (01) на конечной поверхности установки.

Установите опору кожуха (03) на кожух с помощью четырех винтов M5 и шайб, которые входят в комплект. Закрепите поворотный элемент (02) на крепежной опоре (01) и на опоре кожуха (03) с помощью семи винтов M5 и шайб, которые входят в комплект. После установки изделия в нужном положении затяните попарно винты M5.

! Будьте внимательны при монтаже. Момент затяжки: 4.5Nm ($\pm 0.5Nm$).

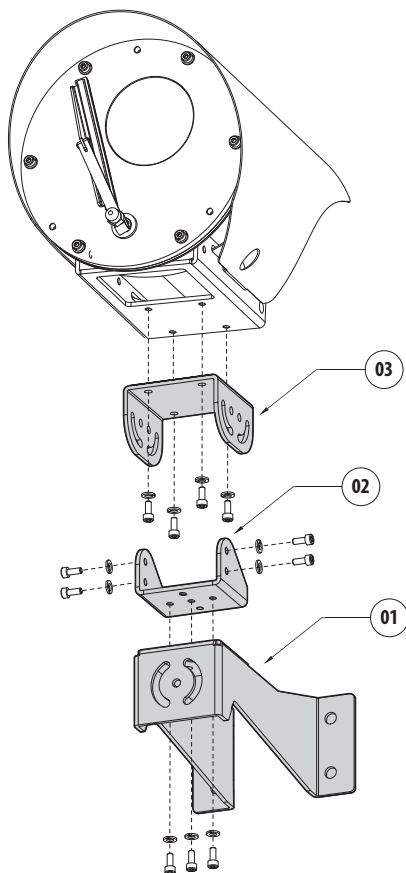


Рис. 8 Установка на стену.

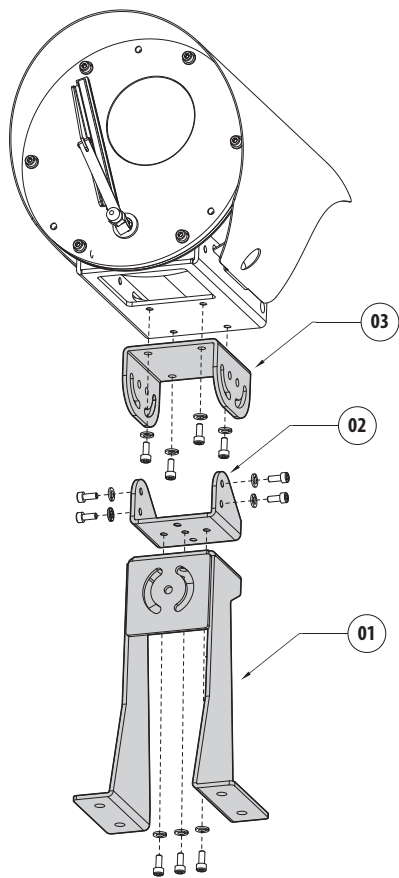


Рис. 9 Крепление к парапету.

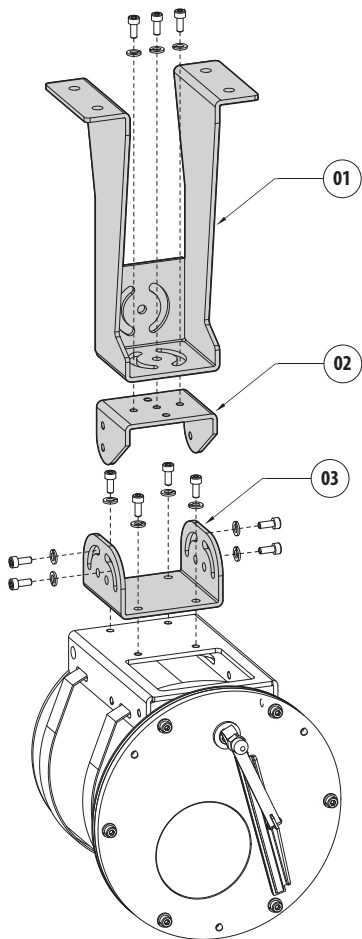


Рис. 10 Крепление на потолок.

i При установке на потолок необходимо снять козырек.

7.4.2 Варианты установки

Устройство может устанавливаться в представленных ниже положениях.

Диапазон вертикального наклона кожуха составляет -90° - 0° .

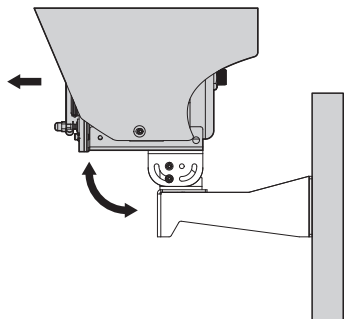


Рис. 11 Пример установки на стене, вертикальное перемещение, 0° .

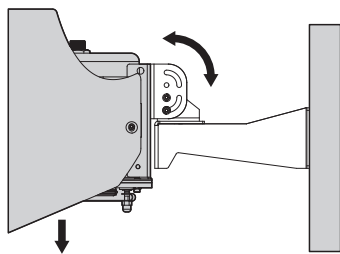


Рис. 12 Пример установки на стене, вертикальное перемещение, -90° .

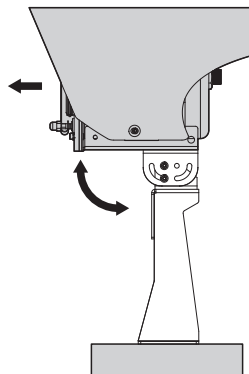


Рис. 13 Пример установки на парапете, вертикальное перемещение, 0° .

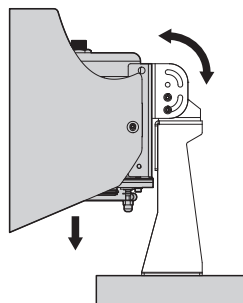


Рис. 14 Пример установки на парапете, вертикальное перемещение, -90° .

i При установке на потолок козырек необходимо снять.

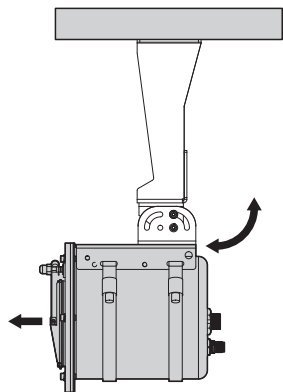


Рис. 15 Пример установки на потолок, вертикальное перемещение, 0°.

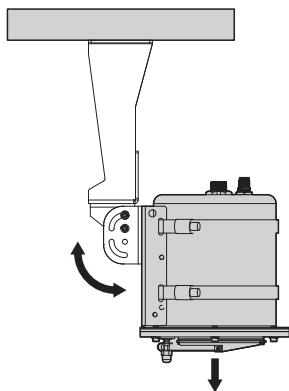


Рис. 16 Пример установки на потолок, вертикальное перемещение, -90°.

Изделие можно закрепить при помощи цепи или металлической проволоки, чтобы предотвратить падение камеры в случае разрушения опоры. Для этой цели можно использовать отверстие, показанное на рисунке (Рис. 17, страница 17).

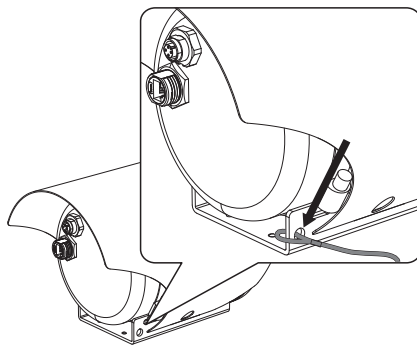


Рис. 17

8 Монтаж



ПРЕДУПРЕЖДЕНИЕ! Система электропитания, к которой подключается устройство, должна быть оснащена двухполюсным автоматическим прерывателем цепи номинальным током 10А max. Минимальное расстояние между контактами автоматического выключателя цепи должно составлять 3mm. Выключатель цепи должен иметь защиту от тока КЗ на землю (дифференциальная защита) и защиту от перегрузки по току (термомагнитная защита).



Выполнять электрические подключения необходимо при отключенном источнике питания и разомкнутом выключателе сети.



Электрическая система оснащается выключателем питания, который можно легко найти и использовать в случае необходимости.



Все неподключенные провода должны быть изолированы.



VIDEOTEC настоятельно рекомендует проверить конфигурацию и эксплуатационные характеристики устройства перед его окончательной установкой в соответствующем месте.

8.1 Функциональное заземление



Если устройство подключено через линию Ethernet (PoE +), к заземлению устройства должен быть подключен внешний функциональный заземляющий кабель.



Используйте кабели со следующими характеристиками.

- Номинальное сечение используемых кабелей: 2.5mm² (14AWG) мин.

Выполните установку функционального заземляющего кабеля, как показано на рисунке.

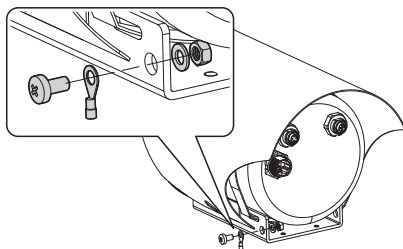


Рис. 18

8.2 Кабельная проводка для быстроразъемного подключения

Быстроразъемное подключение к устройству облегчает установку.

На задней стороне устройства закреплены разъемы. Подключение к разъемам должно осуществляться со стороны кабеля (штепсельные разъемы).

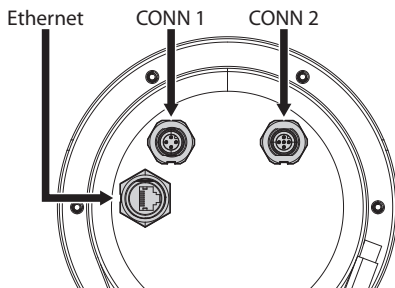


Рис. 19 Вид кожуха сзади. Разъемы на сторонах кожуха.

Сразу после установки вставьте штепсельные разъемы в соответствующие места на задней панели устройства.

Если навесные соединители не используются, установите на задней панели изделия прилагаемые заглушки.

8.2.1 Кабельная проводка для штепсельного соединения (источник питания, I/O)

! Питание устройства осуществляется от источника питания 24Vac или 24Vdc.

! Для питания устройства используйте линию Ethernet (модели без платы видеонализа) и PSE (Power Sourcing Equipment), совместимое с IEEE 802.3at (PoE+).

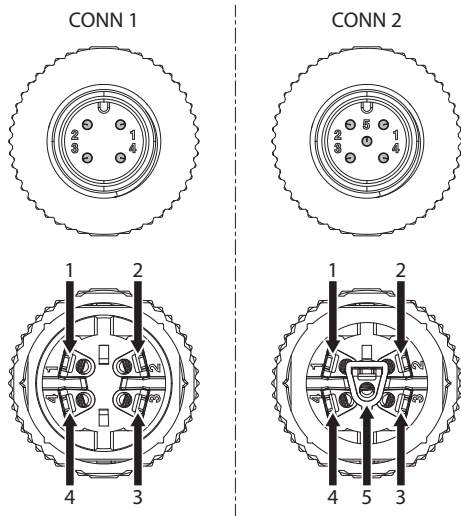


Рис. 20 Вид контактов спереди и вид клемм изнутри.

CONN 1 (4-Х КОНТАКТНЫЙ РАЗЪЕМ)	
Номер контакта	Функция
1	Реле насоса омывателя
2	Реле насоса омывателя
3	Вспомогательное реле (регулируемое реле)
4	Вспомогательное реле (регулируемое реле)

Табл. 3

CONN 2 (5-И КОНТАКТНЫЙ РАЗЪЕМ)	
Номер контакта	Функция
1	Источник питания 24Vac/24Vdc
2	
3	Не используется
4	Factory Default*
5	

Табл. 4 *Factory Default может быть установлен в версиях NVX оборудованные стеклоочистителем и во всех версиях NTX

i Полярность напряжения на контактах 1 и 2 разъема 2 не имеет значения.

i Заземление не предусмотрено, поскольку изделию оно не требуется, так как для его питания используется 24Vac или 24Vdc.

i Используйте кабели со следующими характеристиками.

- Сечение: от 0.14mm² (26AWG) до 0.75mm² (18AWG).
- Общий диаметр кабеля: от 4mm до 8mm.
- Длина (кабели питания): Сечение провода влияет на максимально допустимую длину кабеля. Максимально допустимая длина кабеля в зависимости от сечения провода указана в следующей таблице.

МАКСИМАЛЬНАЯ ДЛИНА КАБЕЛЯ		
Сечение	Без карты для видеонализа	С картой для видеонализа
0.34mm ² (22AWG)	20m	15m
0.5mm ² (20AWG)	30m	25m
0.75mm ² (18AWG)	50m	40m

Табл. 5

Подсоедините кабель к штепсельному разъему, выполнив следующие операции.

Срежьте оболочку кабеля максимум на 18mm. Зачистите провода не более чем на 5mm.

Проведите кабель через уплотнительную гайку (01), прокладку (02) и корпус разъема (03).

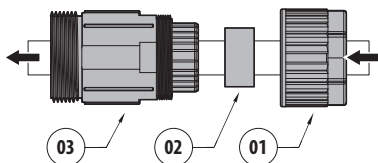


Рис. 21

Ослабьте винты на клеммах (04) лицевой стороны разъема, вставьте провода и зафиксируйте их, затянув винты. Закрепите корпус разъема (03) на лицевой стороне с помощью зажимов (05), затянув кольцевую гайку (06).

**⚠ Будьте внимательны при монтаже.
Момент затяжки: от 0.29Nm до 0.39Nm.**

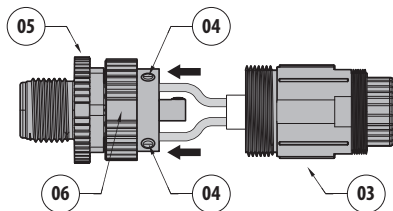


Рис. 22

Вставьте прокладку (02) внутри корпуса разъема (03). Затем затяните уплотнительную гайку (01).

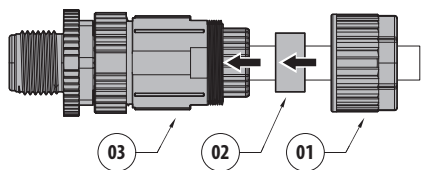


Рис. 23

**⚠ Будьте внимательны при монтаже.
Момент затяжки: от 0.39Nm до 0.59Nm.**

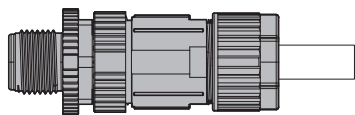


Рис. 24 Монтаж завершен.

Перед тем как подсоединить штепсельные разъемы к соответствующим разъемам на задней стороне кожуха, убедитесь, что TAP плотно прилегает.

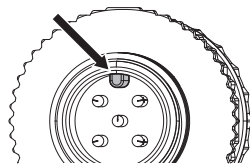


Рис. 25

Вставьте штепсельный разъем в закрепленный разъем и затяните кольцевую гайку.

8.2.2 Подключение реле

⚠ Использование реле возможно при соблюдении указанных ниже требований.

- Рабочее напряжение: до 30Vac или 60Vdc.
- Сила тока: 1A max.

⚠ Используйте кабели со следующими характеристиками.

- Сечение: от 0.14mm² (26AWG) до 0.75mm² (18AWG).

Контакты реле расположены в соответствующем разъеме для быстрого подключения. Реле не имеет полярности (Табл. 3, страница 19).

8.2.3 Кабельная проводка для штепсельного разъема (Ethernet, PoE+)

⚠ Если устройство не оснащено платой видеонализа, его можно питать, используя PSE (Power Sourcing Equipment), совместимое с IEEE 802.3at (PoE+).

i Используйте Ethernet-кабели с указанными ниже характеристиками.

- Диаметр: от 5mm до 6mm.
- Экранирование: SF/UTP.
- Категория: 5е.
- Длина: 100m max (PoE+).

Подсоедините кабель к штепсельному разъему, выполнив следующие операции.

Проведите кабель Ethernet через уплотнительную гайку (01), каркас(02), прокладку (03) и корпус разъема (04).

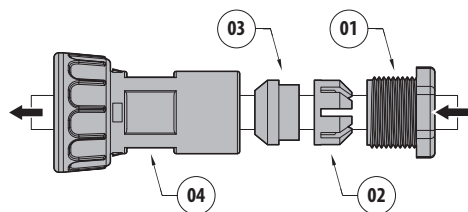


Рис. 26

Необходимо обжать экранированный разъем RJ45, который входит в комплект поставки.

⚠ Подсоедините кабельную оплетку к экранированному разъему RJ45.

Выполните подключение в соответствии с приведенным в таблице описанием (с учетом стандартных технических требований: TIA/EIA-568-B).

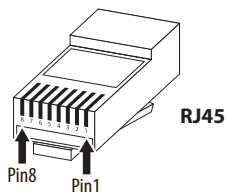


Рис. 27

ПОДКЛЮЧЕНИЕ ETHERNET-КАБЕЛЯ	
Номер контакта	Цвет кабеля
1	Оранжевый-Белый
2	Оранжевый
3	Зеленый-Белый
4	Синий
5	Синий-Белый
6	Зеленый
7	Коричневый-Белый
8	Коричневый

Табл. 6

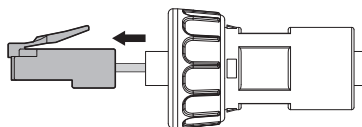


Рис. 28

Слегка подержайте кабель Ethernet (05), пока разъем RJ45 (06) не будет полностью вставлен в корпус разъема для навесной соединитель.

После установки каркаса и прокладки затяните уплотнительную гайку (07).

⚠ Будьте внимательны при монтаже. Момент затяжки: От 0.9Nm до 1Nm.

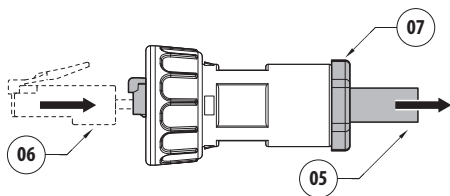


Рис. 29

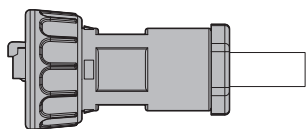


Рис. 30 Монтаж завершен.

Вставьте штепсельный разъем в закрепленный разъем и затяните кольцевую гайку.

8.2.4 Подключение Ethernet-кабеля

i Оплетка кабеля Ethernet со стороны пользователя должна быть постоянно заземлена. Используйте экранированный разъем RJ45. Подсоедините кабельную оплетку к экранированному разъему RJ45.

Продукт может быть подключен непосредственно к коммутатору Ethernet.

Ниже представлен стандартный пример установки.

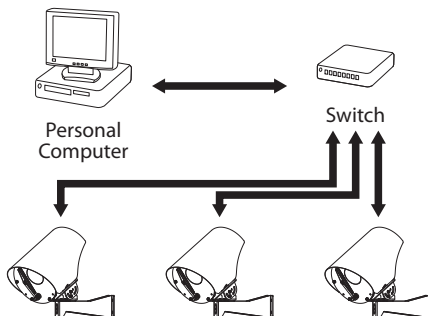


Рис. 31

9 Включение

⚠ Убедитесь в том, что устройство и прочие элементы системы снабжены защитными кожухами, исключающими возможность контакта с токопроводящими компонентами.

⚠ Убедитесь в том, что все детали надежно закреплены.

i Процесс автоматического предварительного подогрева (De-Ice) активируется при каждом включении устройства, если температура окружающей среды ниже -10°C. Данный процесс служит для обеспечения правильного функционирования устройства даже при низких температурах. Продолжительность процедуры предварительного подогрева: 60 минут.

Для того чтобы включить устройство, подключите источник питания.

Для того чтобы выключить устройство, отключите источник питания.

10 Конфигурация

10.1 IP-адрес по умолчанию

i Устройство настроено таким образом, чтобы получить IP-адрес от сервера DHCP.

IP-адрес, полученный через DHCP, можно посмотреть в файле журнала сервера DHCP.

Если сервер DHCP недоступен, устройство настраивается автоматически, используя самостоятельно сгенерированный IP-адрес в подсети 169.254.x.x/16. Настройка IP-адреса компьютера в той же подсети (пример: IP-адрес: 169.254.1.1, subnet mask: 255.255.0.0).

Для поиска IP-адреса устройства используйте совместимую с ONVIF программу управления видео (VMS) или сетевой анализатор пакетов (сниффер). (Программа сканирования IP).

10.2 Веб-интерфейс

i Поддерживаемые браузеры (последняя версия): Microsoft Edge, Google Chrome, Mozilla Firefox.

10.2.1 Первый вход на веб-страницу

Первое действие по настройке конфигурации устройства заключается в подключении к веб-интерфейсу.

Чтобы войти в веб-интерфейс устройства, просто используйте браузер для подключения к адресу http://ip_address.

При первом входе будет отображаться Главная страница.

i Информацию о настройке веб-интерфейса см. в руководстве, относящемуся к установленной версии прошивки, которое доступно на нашем веб-сайте www.videotec.com.

11 Принадлежности и опоры

i Дополнительная информация по конфигурации и использованию представлена в соответствующем руководстве.

11.1 Омыватель (Washer)

Изделие со стеклоочистителем может быть оснащено внешним насосом подачи воды для очистки стекла.

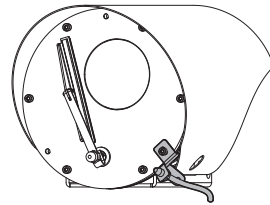


Рис. 32

Для завершения установки системы омывателя используйте комплект, поставляемый с камерой.

Вставьте головку сопла (01) в опору (02), затяните гайку (03).

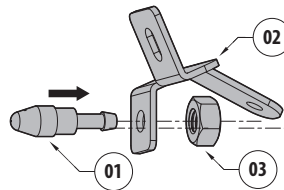


Рис. 33

Закрепите собранное сопло и опору, используя одно из дополнительных отверстий (01) на лицевой стороне кожуха. Затяните винт с шайбой (02). Вставьте подающую трубку в сопло (03). Закрепите подающую трубку на опоре с помощью зажима (04).

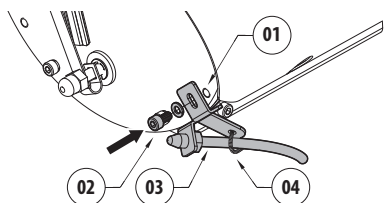


Рис. 34

11.2 Опорный кронштейн для светодиодной подсветки

Для установки светодиодных осветитель GEKO IRH, на устройство необходимо установить опорный кронштейн.

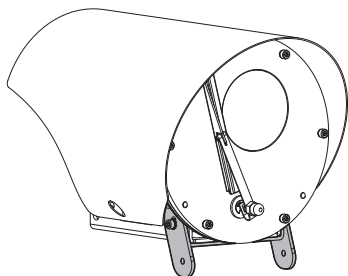


Рис. 35 NVXIRBKT.

11.3 Светодиодный осветитель

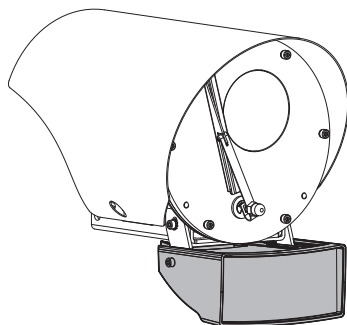


Рис. 36 GEKO IRH.

11.4 Адаптер для крепления на угол

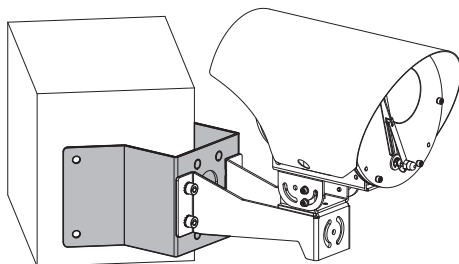


Рис. 37 UEAC.

11.5 Адаптер для установки на стойке

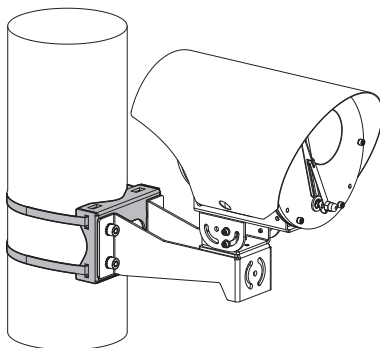


Рис. 38 UEAP.

11.6 Пластина крепления

Пластину крепления можно использовать для установки на стену или потолок, а также на кабель-каналы. Увеличенное расстояние между четырьмя отверстиями обеспечивает большую механическую прочность.

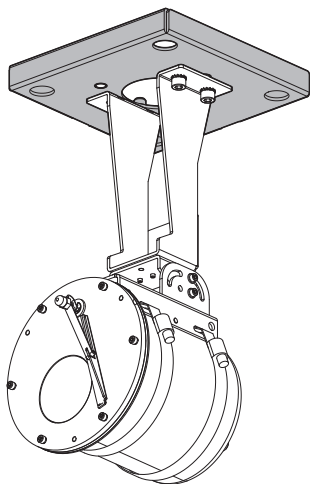


Рис. 39 UEAW.

11.7 Передний козырек для защиты от пыли

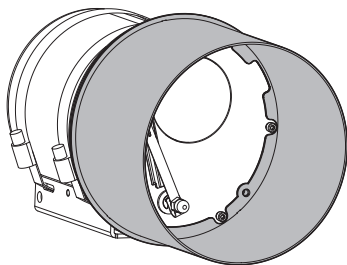




Рис. 40 NVXTUB.

12 Техническое обслуживание

 **Отключите источник питания, перед тем как приступить к проведению каких-либо технических работ на устройстве.**

 **ПРЕДУПРЕЖДЕНИЕ!** Установка и обслуживание устройства должны осуществляться только специализированным персоналом.

12.1 Снятие козырька

Устройство поставляется с уже установленным солнцезащитным козырьком.

Козырек можно снять для проведения установки или обслуживания. Выкрутите винты солнцезащитного козырька и снимите его.

Установите солнцезащитный козырек перед тем, как закрепить кожух на кронштейне для кожуха.

 **Будьте внимательны при монтаже. Момент затяжки: 4Nm (± 0.5 Nm).**

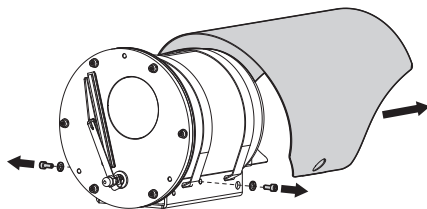


Рис. 41

12.2 Открытие и закрытие кожуха

Для выполнения ряда работ по техническому обслуживанию необходимо открыть камеру

⚠ Осторожно открутите направляющую на лицевой стороне. Соблюдайте осторожность, чтобы не повредить внутренние соединительные кабели.

Отвинтите стопорные винты и снимите направляющую, закрепленную на лицевой стороне камеры

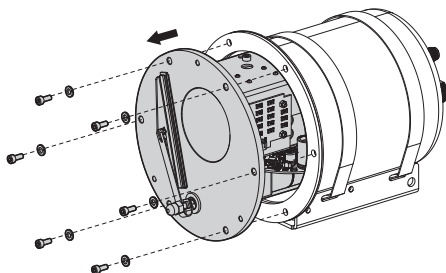


Рис. 42

Выполните процедуру в обратном порядке, чтобы закрыть камеру.

⚠ Будьте внимательны при монтаже. Момент затяжки: 4.5Nm (±0.5Nm).

12.3 Описание платы камеры

ОПИСАНИЕ ПЛАТЫ	
Разъем/Клемма	Функция
F1	Предохранитель
SW1	DIP-переключатель сброса

Табл. 7

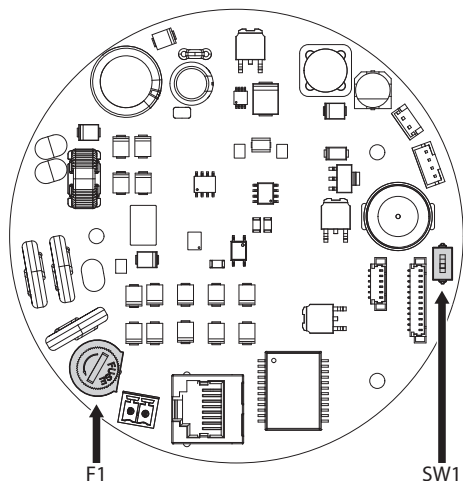


Рис. 43

12.4 Замена предохранителя

⚠ ПРЕДУПРЕЖДЕНИЕ! Для обеспечения постоянной защиты от риска возгорания при замене предохранителей следует использовать предохранители того же типа и номинала. Только обслуживающий персонал может проводить замену предохранителей.

В случае необходимости можно заменить предохранители платы разъемов. Характеристики нового предохранителя должны соответствовать приведенным в таблице.

ЗАМЕНА ПРЕДОХРАНИТЕЛЕЙ	
Напряжение	Предохранитель F1
24Vac, 50/60Hz	T 2A H 250V 5x20
24Vdc	

Табл. 8

В качестве альтернативы используйте утвержденные предохранители с аналогичными характеристиками.

Для замены предохранителя необходимо открыть камеру (12.2 Открытие и закрытие кожуха, страница 26).

Найдите предохранитель, подлежащий замене.

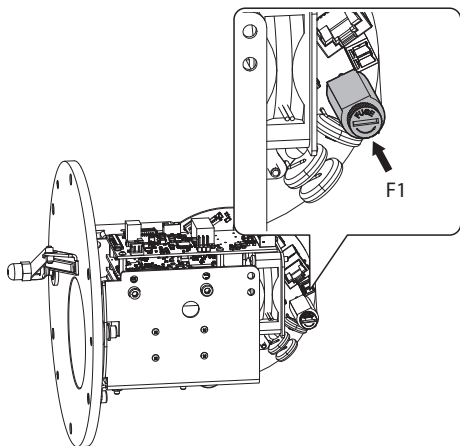


Рис. 44

12.5 Factory Default

i После установки заводских настроек устройство должно быть настроено так, как описано в соответствующей главе (10.1 IP-адрес по умолчанию, страница 23).

12.5.1 Factory Default, NVX (модель со стеклоочистителем), NTX


- Отключите питание устройства.
- Цепь короткого замыкания на клеммах 4 и 5 разъема CONN 2 (или соответствующих проводниках, Табл. 4, страница 19).
- Подключите устройство к сети электропитания. Подождите 2 минуты.
- Отключите питание устройства.
- Обеспечьте отсутствие цепи короткого замыкания.
- Подключите устройство к сети электропитания.

12.5.2 Factory Default, NVX (версия без стеклоочистителя)


При необходимости можно выполнить сброс на заводские настройки по умолчанию. Выполните следующие действия:

- Отключите питание устройства.
- Откройте камеру (12.2 Открытие и закрытие кожуха, страница 26).
- Найдите dip-переключатель сброса (SW1, 12.3 Описание платы камеры, страница 26).
- Установите dip-переключатель сброса в положение ON (ВКЛ).
- Подключите устройство к сети электропитания. Подождите 2 минуты.
- Отключите питание устройства.
- Установите dip-переключатель сброса в положение OFF (Выкл).
- Вставьте направляющие и закройте камеру. Будьте особенно осторожны и не повредите внутренние кабели во время закрытия.
- Подключите устройство к сети электропитания.

13 Очистка


 Частота операций зависит от среды эксплуатации изделия.


13.1 Очистка стекла

 **Не используйте этиловый спирт, растворители, галогенированные углеводороды, сильные кислоты и щелочи. Подобные вещества могут необратимо повредить поверхность устройства.**

Мы рекомендуем использовать мягкую ткань с нейтральным мылом, разведенным в воде, или специальные вещества для очистки стеклянных объектов.

13.2 Очистка германиевого окна

 **Не используйте этиловый спирт, растворители, галогенированные углеводороды, сильные кислоты и щелочи. Подобные вещества могут необратимо повредить поверхность устройства.**

 **При выполнении очистки постарайтесь не поцарапать и не повредить внешнюю поверхность окна с графитовым покрытием. Повреждение покрытия может негативно отразиться на проницаемости поверхности для инфракрасного излучения.**

Очистку следует выполнять с помощью мягкого мыльного раствора.

14 Информация об утилизации и переработке

Европейская директива 2012/19/ЕС Об Отходах Электрического и Электронного Оборудования (RAEE) предписывает, что данные устройства не следует утилизировать вместе с твердыми бытовыми отходами; их сбор осуществляется отдельно для оптимизации потока их утилизации и переработки содержащихся в них материалов, а также снижения воздействия на здоровье людей и окружающую среду в связи с присутствием потенциально опасных веществ.



Значок с изображением зачеркнутого мусорного контейнера присутствует на всей продукции для напоминания об указанном требовании.

Отходы могут доставляться в соответствующие центры по сбору отходов или бесплатно передаваться дистрибьютору, у которого было куплено оборудование, в момент покупки новой аналогичной продукции или без обязательства совершить новую покупку в случае оборудования, чей размер не превышает 25см.

Для получения более подробной информации о надлежащей утилизации данных устройств вы можете обратиться в уполномоченную государственную организацию.

15 Технические характеристики

15.1 NVX

15.1.1 Общие сведения

Простая установка благодаря быстроразъемному подключению

Быстрая настройка и установка

15.1.2 Механические хар.

Конструкция из нержавеющей стали марки AISI 316L

Отверстие для крепежной цепи

Вес устройства:

- 4.9kg (крепежный кронштейн включен в комплект)
- 4kg (Крепежный кронштейн не включен в комплект)

15.1.3 Окно камеры

Стеклоанное окно дополнительный ясный

- Толщина: 3mm

Окно из поликарбоната (доступно только для версии без стеклоочистителя)

- Толщина: 3mm

15.1.4 Электрические хар.

Напряжение сети питания/Потребляемый ток:

- 24Vac, 1.32A, 50/60Hz
- 24Vdc, 0.9A
- PoE+ (IEEE 802.3at), недоступно для исполнения с VIDEOTEC Analytics

Энергопотребление

- Исполнения без VIDEOTEC Analytics: 21W
- Исполнения с VIDEOTEC Analytics: 25.2W

15.1.5 Сеть

Ethernet подключение: 100 Base-TX

Разъем: RJ45

15.1.6 Видео

Видеокодер

- Протокол связи: ONVIF, Profile Q, Profile S и Profile T
- Конфигурация устройства: TCP/IPv4-IPv6, UDP/IPv4-IPv6, HTTP, HTTPS, NTP, DHCP, WS-DISCOVERY, DSCP, IGMP (Многоадресный), SOAP, DNS
- Поточковый: RTSP, RTCP, RTP/IPv4-IPv6, HTTP, Многоадресный
- Видеосжатие: H.264/AVC, MJPEG, JPEG, MPEG4
- 3 независимых видеопотока Full HD
- Разрешение изображения: от 320x180pixel до 1920x1080pixel при 6 прогонах
- Возможность выбора частоты кадров от 1 до 60 кадров/с
- Веб-сервер
- Motion Detection
- Видеоанализ: VIDEOTEC ANALYTICS (при необходимости)
- QoS: Дифференцированные DSCP для стриминга и управления устройствами
- Протоколы SNMP и NTCIP

15.1.7 Интерфейс ввода-вывода

Плата ввода-вывода аварийных сигналов (модель со стеклоочистителем)

- Вход для дистанционного сброса: 1
- Выходы реле: 1+1 (1 реле для насоса омывателя и одно настраиваемое, 1A, 30Vac/60Vdc max)

15.1.8 Камеры

Day/Night Full HD 30x DELUX

Разрешение: Full HD 1080p (1920x1080)

Датчик изображения: 1/2.8" Exmor™ R CMOS sensor

Эффективные пиксели: приблизительно 2.38 Мегapixel

Минимальное освещение:

- Цвет: 0.006lx (F1.6, 30 IRE)
- B/W: 0.0006lx (F1.6, 30 IRE)

Фокусное расстояние: от 4.5mm (wide) до 135mm (теле)

Zoom: 30x (480x с цифровым масштабированием)

Диафрагма: от F1.6 до F9.6 (Auto, Ручной)

Горизонтальный угол обзора: от 61.60° (wide end) до 2.50° (tele end)

Вертикальное поле обзора: от 37.07° (wide end) до 1.44° (tele end)

Скорость затвора: от 1/1s до 1/10000s (Auto, Ручной)

Баланс белого (White Balance): Auto, Ручной

Усиление: от 0dB до 100dB (Auto, Ручной)

Широкий динамический диапазон (Wide Dynamic Range): 120dB

Система фокусировки: Auto, Ручной, Триггер (Trigger)

Эффекты отображения: E-flip, Улучшение цвета

Снижение шума: 2D (3 уровня), 3D (3 уровня)

Управление экспозицией: Auto, Ручной, Уровень приоритетности (Iris Priority, Shutter Priority), Яркость (Brightness), Пользовательская конфигурация (Custom)

De-fog: On/Off (Вкл./Выкл.)

Маскировка приватных зон: максимум 8 настраиваемых масок

Indoor Flicker Reduction

Автоматическое замедление затвора (Auto Slowshutter): Off, On (от 1/30s до 1/1s)

Компенсация экспозиции: Off, On (от уровень 0 до уровень 14)

Резкость: от уровень 0 до уровень 3

SONY FCB-EV7520 Day/Night Full HD 30x

Разрешение: Full HD 1080p (1920x1080)

Датчик изображения: 1/2.8" Exmor™ R CMOS sensor

Эффективные пиксели: приблизительно 2.13 Megapixels

Минимальное освещение:

- Цвет: 0.0013lx (50 IRE, High sensitivity on)
- B/W: 0.0008lx (30 IRE, High sensitivity on)

Фокусное расстояние: от 4.3mm (wide) до 129mm (теле)

Zoom: 30x (360x с цифровым масштабированием)

Диафрагма: от F1.6 до F14 (Auto, Ручной)

Горизонтальный угол обзора: от 63.7° (wide end) до 2.3° (tele end)

Вертикальное поле обзора: от 38.5° (wide end) до 1.3° (tele end)

Скорость затвора: от 1/1s вплоть до 1/10000s (Auto, Ручной)

Баланс белого (White Balance): Auto, Auto Tracing, Indoor, Outdoor, Ручной, Outdoor Auto, Sodium Lamp (Fix/Auto/Outdoor Auto)

Усиление: от 0dB до 50.0dB (Auto, Ручной)

Широкий динамический диапазон (Wide Dynamic Range): 120dB

Система фокусировки: Auto (PTZ Trigger, Full Auto), Ручной

Эффекты отображения: E-flip

Снижение шума (2D, 3D): Off, On (от уровень 1 до уровень 5)

Управление экспозицией: Auto, Ручной, Уровень приоритетности (Приоритет затвора, Приоритет диафрагмы, Приоритет яркости)

De-fog: Off, Low, Mid, High

Маскировка приватных зон (максимум 8 настраиваемых масок)

Indoor Flicker Reduction

Предел усиления: от 10.7dB до 50dB

High sensitivity: On/Off (Вкл./Выкл.)

Компенсации встречной засветки (Backlight Compensation): On/Off (Вкл./Выкл.)

Автоматическое замедление затвора (Auto Slowshutter): On/Off (Вкл./Выкл.)

Компенсация экспозиции: Off, On (от -10.5dB до +10.5dB)

Резкость: от уровень 0 до уровень 15

High Light Compensation (HLC): Off, Low, Mid, High, Уровень маскировки (Off, On, от уровень 1 до уровень 15)

Стабилизация цифрового изображения: On/Off (Вкл./Выкл.)

15.1.9 Окружающая среда

Для установки внутри помещений и наружной установки

Рабочая температура

- Версия с питанием 24Vac переменного тока или 24Vdc постоянного тока: от -40°C до +65°C (до +50°C, для версий с системой VIDEOTEC ANALYTICS)
- Версия с питанием PoE +: от -40°C до +60°C
- Проведены испытания на воздействие температуры в соответствии с NEMA-TS 2-2003 (R2008) п. 2.1.5.1, профиль испытания рис. 2-1 (от -34 °C до + 74 °C) (недействительно для исполнений с VIDEOTEC Analytics)

Невосприимчивость к выбросу напряжения: до 1kV между фазами, до 2kV между фазой и землей (Класс 3)

Относительная влажность: от 5% до 95%

15.1.10 Сертификаты

Электробезопасность (CE): EN60950-1, IEC60950-1, EN62368-1, IEC62368-1

Электромагнитная совместимость (CE): EN61000-6-4, EN50130-4, EN55032 (Класс А), FCC Part 15 (Класс А), ICES003

Наружная установка (CE): EN60950-22, IEC60950-22

Степень защиты IP (EN60529): IP66, IP67, IP68 (2h30 min, 2m), IP69

Сертификат UL (недействительно для исполнений с VIDEOTEC Analytics): cULus Listed, TYPE 4X, TYPE 6P

Сертификат EAC

Сертификат KC (сертификат распространяется только на следующие коды: NVX2xxxxxJ)

15.1.11 Сертификаты - Применение на железной дороге

Версии с системой VIDEOTEC ANALYTICS не сертифицированы для применения на железнодорожных объектах

Соответствие нормативным требованиям для применения на железной дороге: EN50121-4 (только с питанием 24 В переменного тока или 24 В постоянного тока)

15.1.12 Сертификаты - Морское применение

Версии с системой VIDEOTEC ANALYTICS не сертифицированы для применения на морских объектах

Lloyd's Register Marine Type Approval

- Test Specification Number 1 (ENV1, ENV2, ENV3, ENV5)

Электромагнитная совместимость: EN60945

Защита от солевого тумана: EN60068-2-52

Устройство успешно прошло испытание при 70°C в течение 16 часов в соответствии с EN60068-2-2

15.2 NTX

15.2.1 Общие сведения

Простая установка благодаря быстроразъемному подключению

Быстрая настройка и установка

15.2.2 Механические хар.

Конструкция из нержавеющей стали марки AISI 316L

Отверстие для крепежной цепи

Вес устройства:

- 4.9kg (крепежный кронштейн включен в комплект)
- 4kg (Крепежный кронштейн не включен в комплект)

15.2.3 Окно камеры

Германиевое окно

- Толщина: 1.5mm
- Обработка внешней поверхности: защита от царапин (Высокопрочное углеродное покрытие (DLC)), антибликовое покрытие
- Обработка внутренней поверхности: антибликовое покрытие
- Спектральный диапазон: от 7.5µm до 14µm
- Средний коэффициент пропускания (от 7.5µm до 11.5µm): 91.2%
- Средний коэффициент пропускания (от 11.5µm до 14µm): 80.9%

15.2.4 Электрические хар.

Напряжение сети питания/Потребляемый ток:

- 24Vac, 1.32A, 50/60Hz
- 24Vdc, 0.9A
- PoE+ (IEEE 802.3at)

Энергопотребление: 21W

15.2.5 Сеть

Ethernet подключение: 100 Base-TX

Разъем: RJ45

15.2.6 Видео

Видеокодер

- Протокол связи: ONVIF, Profile Q, Profile S и Profile T, ONVIF Thermal Service
- Конфигурация устройства: TCP/IPv4-IPv6, UDP/IPv4-IPv6, HTTP, HTTPS, NTP, DHCP, WSDISCOVERY, DSCP, IGMP (Многоадресный), SOAP, DNS
- Поточковый: RTSP, RTP, RTP/IPv4-IPv6, HTTP, Многоадресный
- Видеосжатие: H.264/AVC, MJPEG, JPEG, MPEG4
- 3 независимых видеопотока
- Разрешение изображения: от 320x180pixel до 720x480pixel при 4 прогонах
- Возможность выбора частоты кадров от 1 до 30 кадров/с
- Веб-сервер
- Motion Detection
- QoS: Дифференцированные DSCP для стриминга и управления устройствами
- Протоколы SNMP и NTCIP

15.2.7 Интерфейс ввода-вывода

Плата ввода-вывода аварийных сигналов

- Вход для дистанционного сброса: 1
- Выход реле: 1 (1A, 30Vac/60Vdc max)

15.2.8 Камеры

ТЕПЛОВИЗОРЫ (РАЗРЕШЕНИЕ 336X256)					
	Объектив 9mm	Объектив 13mm	Объектив 19mm	Объектив 25mm	Объектив 35mm
Датчик изображения	Неохлаждаемый микроболометр (на оксиде ванадия - VOx)	Неохлаждаемый микроболометр (на оксиде ванадия - VOx)	Неохлаждаемый микроболометр (на оксиде ванадия - VOx)	Неохлаждаемый микроболометр (на оксиде ванадия - VOx)	Неохлаждаемый микроболометр (на оксиде ванадия - VOx)
Интерполированное разрешение	720x480	720x480	720x480	720x480	720x480
Размеры пикселя	17µm	17µm	17µm	17µm	17µm
Спектральная чувствительность - длинноволновая ИК-область спектра (LWIR)	от 7.5µm до 13.5µm	от 7.5µm до 13.5µm	от 7.5µm до 13.5µm	от 7.5µm до 13.5µm	от 7.5µm до 13.5µm
Внутренний затвор (только для компенсации датчика)	Video stop < 1s	Video stop < 1s	Video stop < 1s	Video stop < 1s	Video stop < 1s
Цифровое улучшение деталей изображения (DDE)	✓	✓	✓	✓	✓
Цифровое масштабирование (Digital Zoom)	2x, 4x	2x, 4x	2x, 4x	2x, 4x	2x, 4x
Частота обновления изображения	7.5fps	7.5fps	7.5fps	7.5fps	7.5fps
Высокая частота обновления изображения	30fps	30fps	30fps	30fps	30fps
Область наблюдения (с большим усилением)	-40°C ÷ +160°C	-40°C ÷ +160°C	-40°C ÷ +160°C	-40°C ÷ +160°C	-40°C ÷ +160°C
Область наблюдения (с малым усилением)	-40°C ÷ +550°C	-40°C ÷ +550°C	-40°C ÷ +550°C	-40°C ÷ +550°C	-40°C ÷ +550°C
Горизонтальное поле обзора	35°	25°	17°	13°	9,3°
Вертикальное поле обзора	27°	19°	13°	10°	7,1°
F-число	F/1.25	F/1.25	F/1.25	F/1.1	F/1.2
Температурная чувствительность (NETD), Тепловизионная камера с радиометрическими функциями	< 50mk при f/1.0	< 50mk при f/1.0	< 50mk при f/1.0	< 50mk при f/1.0	< 50mk при f/1.0
Температурная чувствительность (NETD), Тепловизионная камера с расширенными радиометрическими функциями	< 30mK при f/1.0	< 30mK при f/1.0	< 30mK при f/1.0	< 30mK при f/1.0	< 30mK при f/1.0
Обнаружение / распознавание / идентификация людей	285m / 71m / 36m	440m / 112m / 56m	640m / 160m / 80m	930m / 230m / 116m	1280m / 320m / 160m
Автомобиль (обнаружение / распознавание / идентификация)	880m / 220m / 108m	1340m / 340m / 170m	1950m / 500m / 250m	2800m / 710m / 360m	3850m / 950m / 295m

Радиометрический анализ не влияет на рабочие характеристики камеры

ТЕПЛОВИЗОРЫ (РАЗРЕШЕНИЕ 640X512)					
	Объектив 9mm	Объектив 13mm	Объектив 19mm	Объектив 25mm	Объектив 35mm
Датчик изображения	Неохлаждаемый микроболометр (на оксиде ванадия - VOx)	Неохлаждаемый микроболометр (на оксиде ванадия - VOx)	Неохлаждаемый микроболометр (на оксиде ванадия - VOx)	Неохлаждаемый микроболометр (на оксиде ванадия - VOx)	Неохлаждаемый микроболометр (на оксиде ванадия - VOx)
Интерполированное разрешение	720x480	720x480	720x480	720x480	720x480
Размеры пикселя	17µm	17µm	17µm	17µm	17µm
Спектральная чувствительность - длинноволновая ИК-область спектра (LWIR)	от 7.5µm до 13.5µm	от 7.5µm до 13.5µm	от 7.5µm до 13.5µm	от 7.5µm до 13.5µm	от 7.5µm до 13.5µm
Внутренний затвор (только для компенсации датчика)	Video stop < 1 s	Video stop < 1 s	Video stop < 1 s	Video stop < 1 s	Video stop < 1 s
Цифровое улучшение деталей изображения (DDE)	✓	✓	✓	✓	✓
Цифровое масштабирование (Digital Zoom)	2x, 4x, 8x	2x, 4x, 8x	2x, 4x, 8x	2x, 4x, 8x	2x, 4x, 8x
Частота обновления изображения	7.5fps	7.5fps	7.5fps	7.5fps	7.5fps
Высокая частота обновления изображения	30fps	30fps	30fps	30fps	30fps
Область наблюдения (с большим усилением)	-40°C ÷ +160°C	-40°C ÷ +160°C	-40°C ÷ +160°C	-40°C ÷ +160°C	-40°C ÷ +160°C
Область наблюдения (с малым усилением)	-40°C ÷ +550°C	-40°C ÷ +550°C	-40°C ÷ +550°C	-40°C ÷ +550°C	-40°C ÷ +550°C
Горизонтальное поле обзора	69°	45°	32°	25°	18°
Вертикальное поле обзора	56°	37°	26°	20°	14°
F-число	F/1,4	F/1.25	F/1.25	F/1.1	F/1.2
Температурная чувствительность (NETD), Тепловизионная камера с радиометрическими функциями	< 50mk при f/1.0	< 50mk при f/1.0	< 50mk при f/1.0	< 50mk при f/1.0	< 50mk при f/1.0
Температурная чувствительность (NETD), Тепловизионная камера с расширенными радиометрическими функциями	< 30mK при f/1.0	< 30mK при f/1.0	< 30mK при f/1.0	< 30mK при f/1.0	< 30mK при f/1.0
Обнаружение / распознавание / идентификация людей	250m / 63m / 31m	390m / 95m / 47m	570m / 144m / 72m	820m / 210m / 104m	1140m / 280m / 142m
Автомобиль (обнаружение / распознавание / идентификация)	720m / 175m / 88m	1080m / 275m / 140m	1550m / 400m / 200m	2200m / 580m / 290m	3000m / 800m / 200m

Радиометрический анализ не влияет на рабочие характеристики камеры

15.2.9 Окружающая среда

Для установки внутри помещений и наружной установки

Рабочая температура

- Версия с питанием 24Vac переменного тока или 24Vdc постоянного тока: от -40°C до +65°C
- Версия с питанием PoE +: от -40°C до +60°C
- Проведены испытания на воздействие температуры в соответствии с NEMA-TS 2-2003 (R2008) п. 2.1.5.1, профиль испытания рис. 2-1 (от -34 °C до +74 °C)

Невосприимчивость к выбросу напряжения: до 1kV между фазами, до 2kV между фазой и землей (Класс 3)

Относительная влажность: от 5% до 95%

15.2.10 Сертификаты

Электробезопасность (CE): EN60950-1, IEC60950-1, EN62368-1, IEC62368-1

Электромагнитная совместимость (CE): EN61000-6-4, EN50130-4, EN55032 (Класс А), FCC Part 15 (Класс А), ICES003

Наружная установка (CE): EN60950-22, IEC60950-22

Степень защиты IP (EN60529): IP66, IP67, IP68 (2h30 min, 2m), IP69

Сертификат UL: cULus Listed, TYPE 4X, TYPE 6P

Сертификат EAC

15.2.11 Сертификаты - Применение на железной дороге

Соответствие нормативным требованиям для применения на железной дороге: EN50121-4 (только с питанием 24 В переменного тока или 24 В постоянного тока)

15.2.12 Сертификаты - Морское применение

Lloyd's Register Marine Type Approval

- Test Specification Number 1 (ENV1, ENV2, ENV3, ENV5)

Электромагнитная совместимость: EN60945

Защита от солевого тумана: EN60068-2-52

Устройство успешно прошло испытание при 70°C в течение 16 часов в соответствии с EN60068-2-2

16 Технические чертежи



Размеры указаны в миллиметрах.

RU - Русский - Руководство по эксплуатации

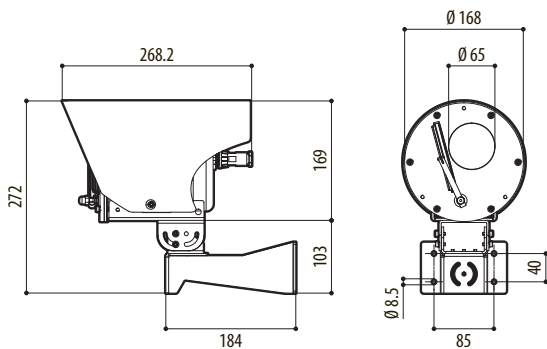


Рис. 45 NVX, установка на стену.

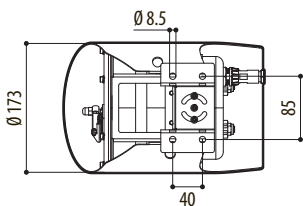
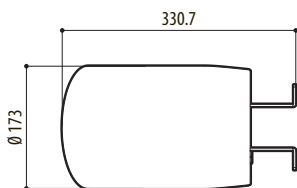
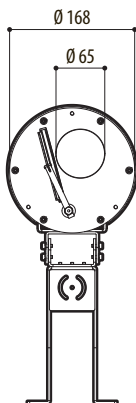
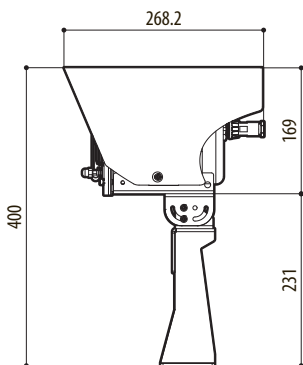


Рис. 46 NVX, крепление к парапету.



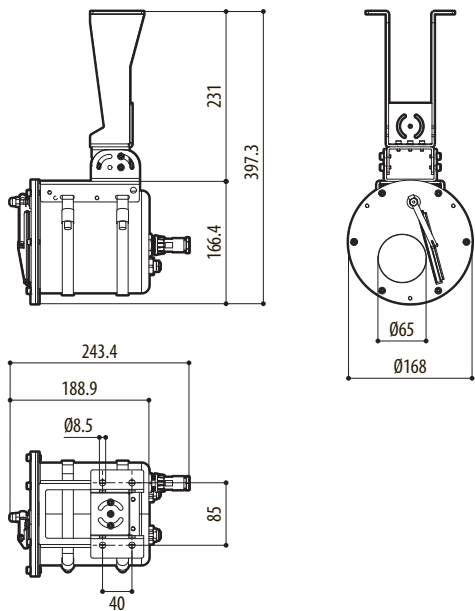


Рис. 47 NVX, крепление на потолок.

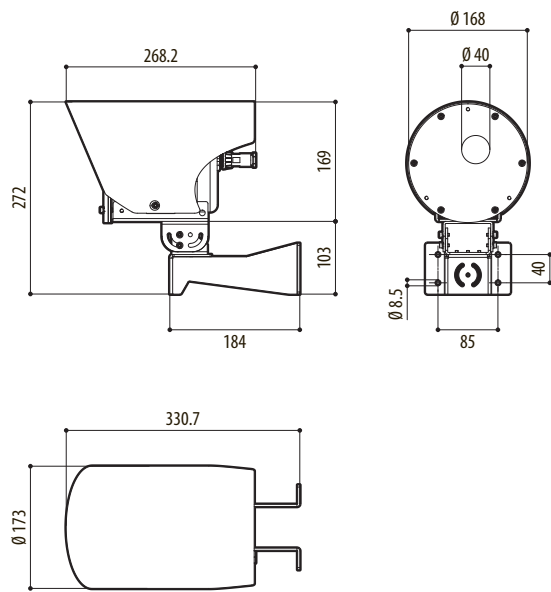


Рис. 48 NTX, установка на стену.

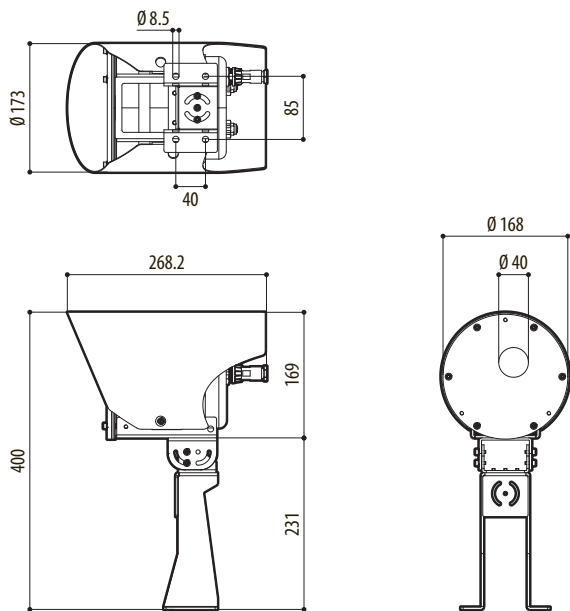


Рис. 49 NTX, крепление к parapету.

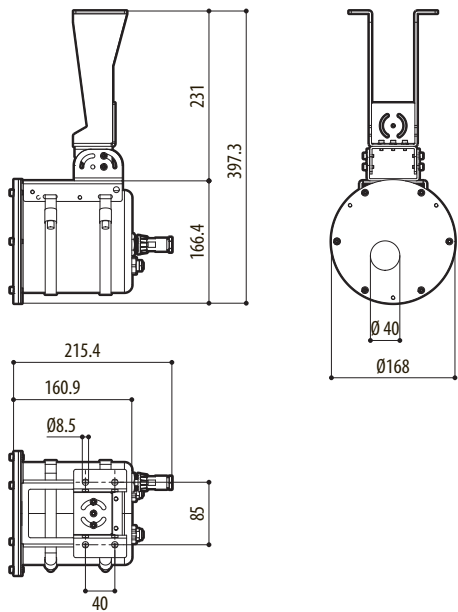


Рис. 50 NTX, крепление на потолок.



Headquarters Italy Videotec s.r.l.
Via Friuli, 6 - I-36015 Schio (VI) - Italy
Tel. +39 0445 697411 - Fax +39 0445 697414
Email: info@videotec.com
www.videotec.com

MNVCNVX_2222_RU



Headquarters Italy VIDEOTEC s.r.l.
Via Friuli, 6 - I-36015 Schio (VI) - Italy
Tel. +39 0445 697411 - Fax +39 0445 697414
Email: info@videotec.com
www.videotec.com

MNVCNVX_2222