

# NXPTZCOL

## POLE MOUNT ADAPTOR



### DESCRIPTION

Thick AISI 316L stainless steel pole adaptor module. Suitable for NXPTZWB bracket.

### TECHNICAL DATA

#### MECHANICAL

Made of AISI 316L electropolished stainless steel  
For pole diameters: 110÷150mm (4.3÷5.9in)  
Load rating: 50kg (110lb)  
Dimensions: 198x182mm (7.8x7.2in)  
Unit weight: 4.5kg (9.9lb)

### PART NUMBER

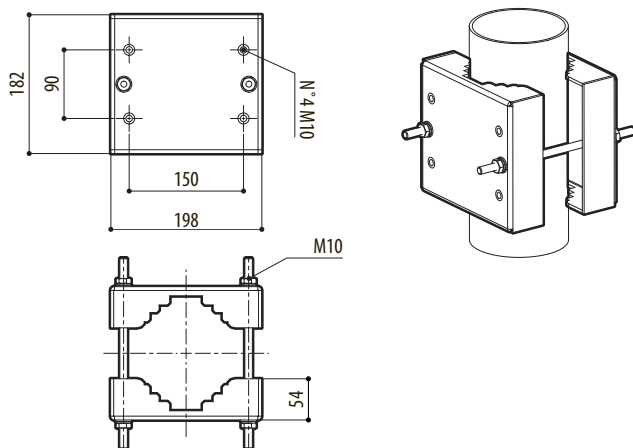
NXPTZCOL AISI 316L stainless steel pole adapter module

### PACKAGE

Model Number	Weight	Dimensions (WxHxL)	Master carton
NXPTZCOL	4.9kg (10.8lb)	24x15x21.5cm (9.4x6x8.5in)	6

### TECHNICAL DRAWINGS

The indicated measurements are expressed in millimetres.



NXPTZCOL