

# MPXCOL

## POLE MOUNT ADAPTOR



### DESCRIPTION

Thick AISI 316L stainless steel pole adaptor module. Suitable for MPXWBA bracket.

### TECHNICAL DATA

#### MECHANICAL

Suitable for MHXWBS

Suitable for MPXWBA

Made of AISI 316L electropolished stainless steel

For pole diameters: 110-150mm (4.3-5.9in)

Load rating: 50kg (110lb)

Unit weight: 4.5kg (9.9lb)

### PART NUMBER

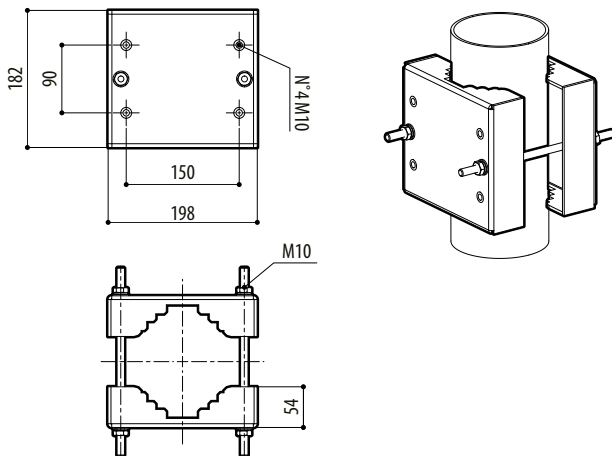
MPXCOL      AISI 316L stainless steel pole adapter module

### PACKAGE

Model Number	Weight	Dimensions (WxHxL)	Master carton
MPXCOL	4.9kg (10.8lb)	24x15x21.5cm (9.4x6x8.5in)	6

### TECHNICAL DRAWINGS

The indicated measurements are expressed in millimetres.



MPXCOL