

UPTWBA

WALL MOUNT BRACKET



DESCRIPTION

Wall bracket with internal cable management constructed from aluminium and painted with powder. It can be combined with pole or corner mount adapters allowing for installation on several surfaces.

TECHNICAL DATA

MECHANICAL

Made of die-cast aluminum

Epoxy polyester powder painting, RAL9002 colour

Wall bracket with internal cable channel

To combine with PTCC1 pole mount or WCWGC corner mount adapters for the installation on several surfaces

Unit weight: 3.1kg (6.6lb)

PART NUMBER

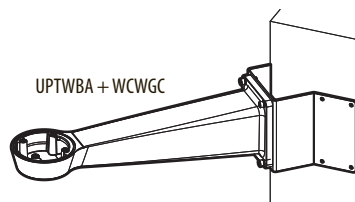
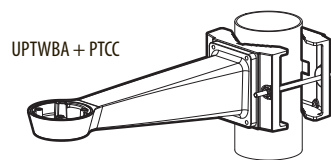
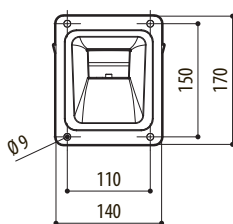
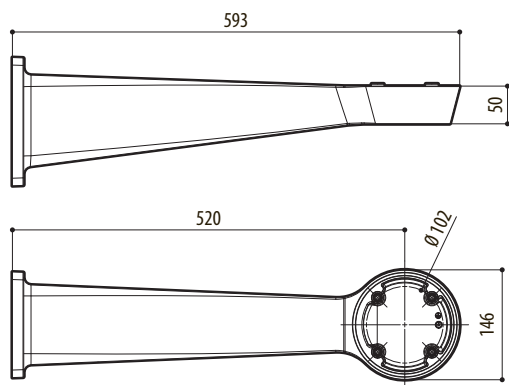
UPTWBA Wall bracket with internal cable channel

PACKAGE

Model Number	Weight	Dimensions (WxHxL)	Master carton
UPTWBA	3.5kg (7.7lb)	19x16x60cm (7.5x6.3x23.6in)	-

TECHNICAL DRAWINGS

The indicated measurements are expressed in millimetres.



UPTWBA