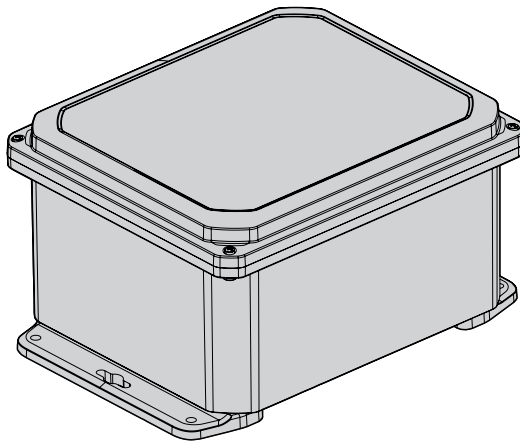




# COMB

Communication box in polycarbonate



**EN** English - Instruction manual

**IT** Italiano - Manuale di istruzioni

**FR** Français - Manuel d'instructions

**DE** Deutsch - Bedienungsanleitung

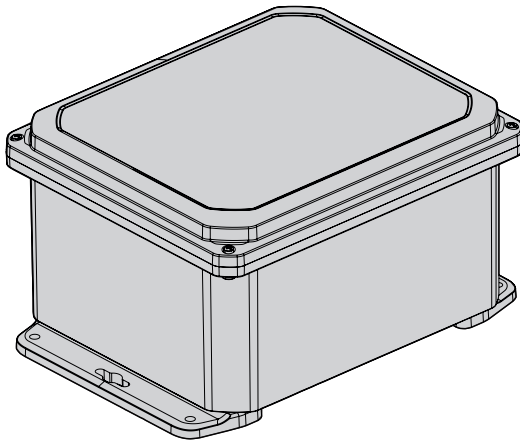
**RU** Русский - Руководство по эксплуатации





# COMB

Communication box in polycarbonate





# Contents

<b>1 About this manual</b>	<b>5</b>
1.1 Typographical conventions	5
<b>2 Notes on copyright and information on trademarks</b>	<b>5</b>
<b>3 Safety rules</b>	<b>5</b>
<b>4 Identification</b>	<b>8</b>
4.1 Product description and type designation	8
4.2 Product overview	9
4.3 Range of use	9
4.4 Product marking label	9
4.4.1 Checking the markings	9
4.5 Model identification	9
<b>5 Preparing the product for use</b>	<b>10</b>
5.1 Unpacking	10
5.2 Contents	10
5.3 Safely disposing of packaging material	10
5.4 Product opening	10
5.5 Cable entry	11
5.6 Fixing flanges assembly	12
5.7 Product closure	12
<b>6 Installation</b>	<b>13</b>
6.1 Connection of the cables	13
6.1.1 Connector board description	13
6.1.2 Connection of the main power supply line	14
6.1.3 Products connection to the 24Vac power supply line	14
6.1.4 Multipolar connectors (relays, alarms, serial line)	14
6.1.5 BNC connectors (analogue video)	14
6.1.6 Connectors for the washer (WASNx)	15
6.1.7 Connectors for the washer (WASPT)	15
6.1.8 Description of the switch board	16
6.1.9 Ethernet cables connection	16
6.1.10 Using the splice tray	16
<b>7 Switching on</b>	<b>17</b>
<b>8 Maintenance</b>	<b>18</b>
8.1 Fuses replacement	18
<b>9 Cleaning</b>	<b>18</b>
<b>10 Information on disposal and recycling</b>	<b>18</b>
<b>11 Troubleshooting</b>	<b>18</b>
<b>12 Technical data</b>	<b>19</b>
12.1 Mechanical	19
12.2 Electrical	19

12.3 Network.....	19
12.4 Analogue video .....	19
12.5 I/O interface .....	19
12.6 Environment .....	19
12.7 Certifications.....	19
12.8 Certifications - Railway applications.....	19
12.9 Certifications - Marine applications .....	20
<b>13 Technical drawings.....</b>	<b>20</b>

# 1 About this manual

Read all the documentation supplied carefully before installing and using this product. Keep the manual in a convenient place for future reference.

## 1.1 Typographical conventions



**DANGER!**  
**High level hazard.**  
**Risk of electric shock. Disconnect the power supply before proceeding with any operation, unless indicated otherwise.**



**CAUTION!**  
**Medium level hazard.**  
**This operation is very important for the system to function properly. Please read the procedure described very carefully and carry it out as instructed.**



**INFO**  
**Description of system specifications.**  
**We recommend reading this part carefully in order to understand the subsequent stages.**

## 2 Notes on copyright and information on trademarks

The mentioned names of products or companies are trademarks or registered trademarks.

## 3 Safety rules



**DANGER!**  
**High level hazard.**  
**Risk of electric shock. Disconnect the power supply before proceeding with any operation, unless indicated otherwise.**

- Before starting any operation, make sure the power supply is disconnected.
- A power disconnect device must be included in the electrical installation, and it must be very quickly recognizable and operated if needed.
- Be careful not to use cables that seem worn or old.
- The electrical system to which the unit is connected must be equipped with a 16A max (20A max for North America) automatic bipolar circuit breaker. The minimum distance between the circuit breaker contacts must be 3mm (0.1in). The circuit breaker must be provided with protection against the fault current towards the ground (differential) and the overcurrent (magnetothermal).
- This equipment is not suitable for use in locations where children are likely to be present.

**CAUTION!  
Medium level hazard.**

**This operation is very important for the system to function properly. Please read the procedure described very carefully and carry it out as instructed.**

- Make sure the product is to be secured to building before operation.
  - Any change that is not expressly approved by the manufacturer will invalidate the warranty.
  - For technical services, consult only and exclusively authorized technicians.
  - Comply with all the national standards during the device installation.
  - The product can be installed in any position.
  - All disconnected wires must be electrically isolated.
  - The manufacturer declines all liability for damage to any of the apparatus mentioned in this handbook, when resulting from tampering, use of non-original spare parts, installation, maintenance and repairs performed by non-authorized, non-skilled personnel.
  - This is a Class A product. In a domestic environment this product may cause radio interference. In this case the user may be required to take adequate measures.
- All cable glands, or other gadget of cable entry, must be UL certified to maintain certification, in any case adequate to the degree of tightness you want to maintain.
  - For damage to any parts, repair or replacement must be done by, or under supervision of VIDEOTEC.
  - Whenever replacing the parts as indicated, always use VIDEOTEC original spare parts and meticulously follow the maintenance instructions supplied with every spare parts kit.
  - Use adequate personal protective equipment during installation.
  - Never, under any circumstances, make any changes or connections that are not shown in this handbook. Improper use of the appliance can cause serious hazards, risking the safety of personnel and of the installation.
  - Use only original spare parts. Non-original spare parts could cause fire, electrical discharge or other hazards.
  - Connect the device to a power source corresponding to the indications given on the marking label. Before proceeding with installation make sure that the power line is properly isolated.



**INFO**

**Description of system specifications.  
We recommend reading this part carefully  
in order to understand the subsequent  
stages.**

- For handling there are no particular instructions. It is recommended, to assigned staff, to carry out operation observing the common rules of accident prevention.
- Make sure that all precautions for personal safety have been taken.
- Before proceeding with installation, check the supplied material to make sure it corresponds to the order specification by examining the identification labels (4.4 Product marking label, page 9).
- The equipment is intended for installation in a Restricted Access Area by specialist technical staff.
- Since the user is responsible for choosing the surface to which the unit is to be anchored, we do not supply the fixing devices for attaching the unit firmly to the particular surface. The installer is responsible for choosing fixing devices suitable for the specific purpose on hand. Use methods and materials capable of supporting at least 4 times the weight of the device.
- Installation category (also called Overvoltage Category) specifies the level of mains voltage surges that the equipment will be subjected to. The category depends upon the location of the equipment, and on any surge voltage protection provided. Equipment in an industrial environment, directly connected to major feeders/short branch circuits, is subjected to Installation Category III. If this is the case, a reduction to Installation Category II is required. This can be achieved by use of an insulating transformer with an earthed screen between primary and secondary windings, or by fitting UL listed Surge Protective Devices (SPDs) from live to neutral and from neutral to earth. Listed SPDs shall be designed for repeated limiting of transient voltage surges and the following rated operation conditions: Type 2 (SPDs permanently connected to the power network and intended for installation on the load side of the service equipment); Nominal Discharge Current (In) 20kA min. For example: FERRAZ SHAWMUT, STT2240SPG-CN, STT2BL240SPG-CN rated 120Vac/240Vac, (In=20kA). Maximum distance between installation and reduction is 5m.
- To comply with the main supply voltage dips and short interruption requirements, use a suitable Uninterruptible Power Supply (UPS) to power the unit.
- The manufacturer declines all responsibility for any damage caused by an improper use of the appliances mentioned in this manual. Furthermore, the manufacturer reserves the right to modify its contents without any prior notice. The documentation contained in this manual has been collected and verified with great care. The manufacturer, however, cannot take any liability for its use. The same thing can be said for any person or company involved in the creation and production of this manual.

## 4 Identification

### 4.1 Product description and type designation

COMB is a communication box equipped with everything necessary to connect one or more IP or analogue cameras and the relevant washer.

COMB provides low voltage, local power supply. Furthermore, it allows Fast Ethernet connection, thanks to the integrated Ethernet switch equipped with three RJ45 ports and a SFP port for connection via fibre optic. The internal board also offers a double bypass of the analogue video signals and a double bypass for the I/O signals with multipolar connectors. The internal spaces are designed to make access to cables easier, and to increase user-friendliness when it comes to connection procedures.

COMB operation is guaranteed for the following system configurations:

- A VIDEOTECH PTZ camera with or without the relevant VIDEOTECH washer.

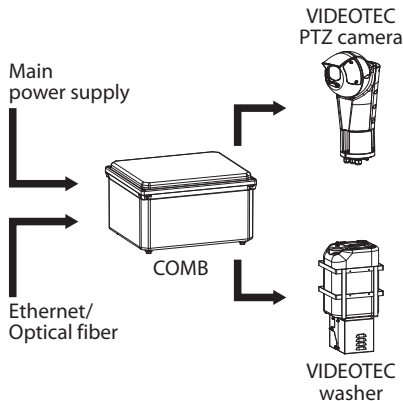


Fig. 1

- One or two VIDEOTECH fixed cameras with or without the relevant VIDEOTECH washers.

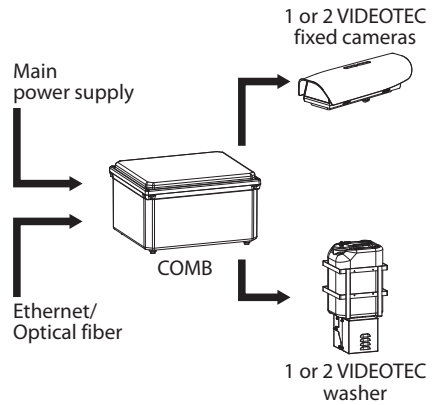


Fig. 2

- A VIDEOTECH PTZ camera and a VIDEOTECH fixed camera without washers.

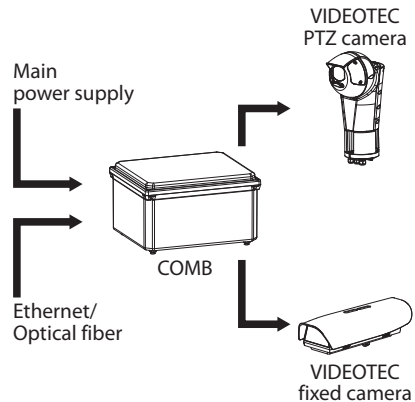


Fig. 3

## 4.2 Product overview

The main parts of the product are illustrated below:

1. Box.
2. Cover.
3. Fixing flanges.

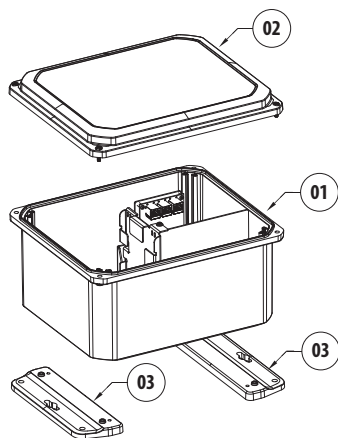


Fig. 4

## 4.3 Range of use

Operating temperature: from  $-40^{\circ}\text{C}$  ( $-40^{\circ}\text{F}$ ) up to  $+70^{\circ}\text{C}$  ( $158^{\circ}\text{F}$ ).

## 4.4 Product marking label

See the label attached to the product.

### 4.4.1 Checking the markings

Before proceeding further with installation, make sure the material supplied corresponds to the order specification by examining the marking labels.

Never, under any circumstances, make any changes or connections that are not shown in this handbook. Improper use of the appliance can cause serious hazards, risking the safety of personnel and of the installation.

## 4.5 Model identification

COMB - CONFIGURATION OPTIONS			
	Input voltage		Revision
COMB	1	from 220Vac up to 230Vac	00 A
	2	24Vac	
	3	from 120Vac up to 127Vac	

Tab. 1.

## 5 Preparing the product for use

### 5.1 Unpacking

When the product is delivered, make sure that the package is intact and that there are no signs that it has been dropped or scratched.

If there are obvious signs of damage, contact the supplier immediately.

When returning a faulty product we recommend using the original packaging for shipping.

Keep the packaging in case you need to send the product for repairs.

### 5.2 Contents

Check the contents to make sure they correspond with the list of materials as below:

- Communication box
- Instruction manuals
- Fixing flanges
- Cable ties (3)
- Bolts and screws

### 5.3 Safely disposing of packaging material

The packaging material can all be recycled. The installer technician will be responsible for separating the material for disposal, and in any case for compliance with the legislation in force where the device is to be used.

## 5.4 Product opening



**During product opening and closing operations, be careful not to damage the cover gasket.**

Unscrew the 4 screws and remove the cover.

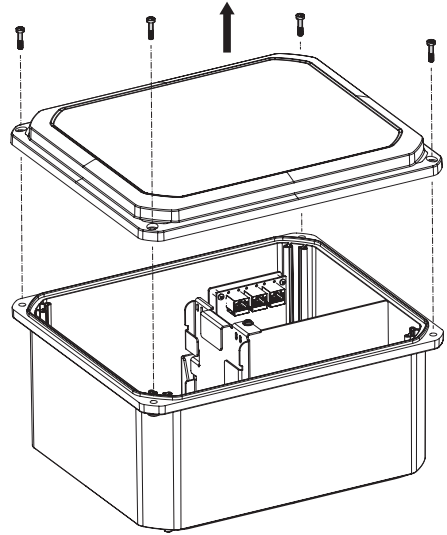


Fig. 5

## 5.5 Cable entry



To maintain the IP degree of protection of the product, use cable glands with adequate IP.



To maintain UL certification, the cable glands used must be UL certified.



All the cable glands must be suitable for the use conditions and installed correctly.

The product is supplied without drilling. It is suggested to perforate the box on the short side indicated in the figure (Fig. 6, page 11).

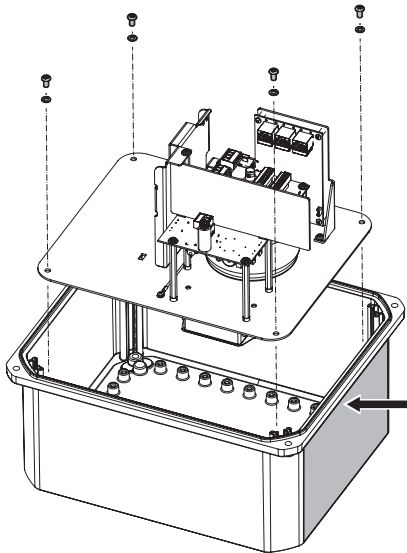


Fig. 6

Before perforating the box, remove the internal block (01) composed of a support plate, connectors board, switch board, transformer and splice tray.

To remove the internal block (01), unscrew the four fastening screws (02).

Hold the board division plate (03), lift the internal block (01) and remove the box (04) (Fig. 7, page 11 and Fig. 8, page 11).

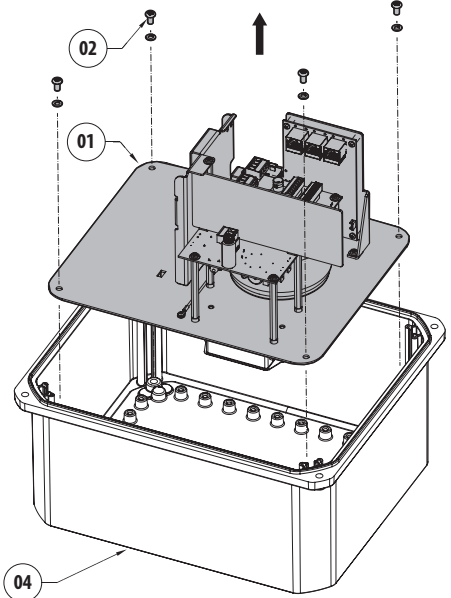


Fig. 7

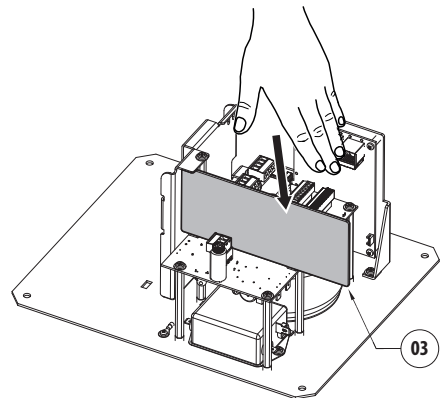


Fig. 8

The last pages of this manual provide two examples of the templates for correct perforation (DRILLING TEMPLATE - A, DRILLING TEMPLATE - B).

Based on the desired configuration, you are advised to use one of the perforation templates in the manual.



**If you want to connect a product from the NXPTZ or NXPTZ SERIES2 range to COMB, you must make a 32mm diameter hole in the box.**

Once the desired hole is made, assemble the cable glands (not supplied) and holding the board division plate (03) re-insert the internal block (01) in the box (04). Fasten the support plate of the internal block (01) with the previously removed screws (02) (Fig. 9, page 12).



**Pay attention to the fixing. Tightening torque: 2Nm.**

**Do not apply threadlocker.**

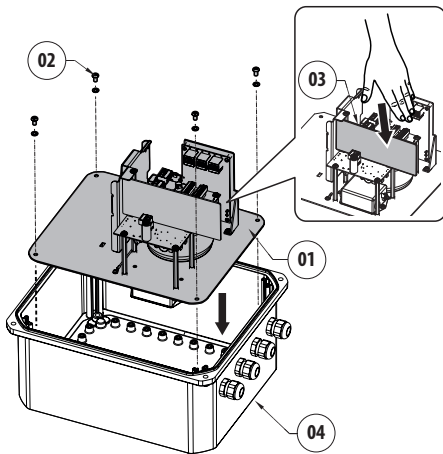


Fig. 9

## 5.6 Fixing flanges assembly

Assemble the fixing flanges as illustrated in the figure, using the screws supplied.



**Pay attention to the fixing. Tightening torque: 2Nm.**

**Do not apply threadlocker.**

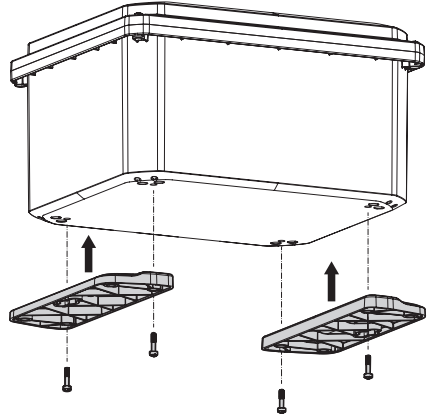


Fig. 10

## 5.7 Product closure



**During product opening and closing operations, be careful not to damage the cover gasket.**

Verify that there is no dirt or debris.

Close the cover with the four screws.



**Pay attention to the fixing. Screws tightening torque: 1.3Nm.**

**Do not apply threadlocker.**

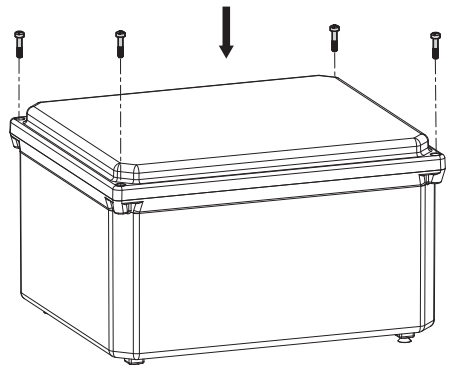


Fig. 11

# 6 Installation

**⚠ Before installing the product, remove the transparent blue protective film from the cover.**

## 6.1 Connection of the cables

Once the cover is removed, you can access to a board with removable connectors and to a switch board with three RJ45 connectors and a SFP slot.

### 6.1.1 Connector board description

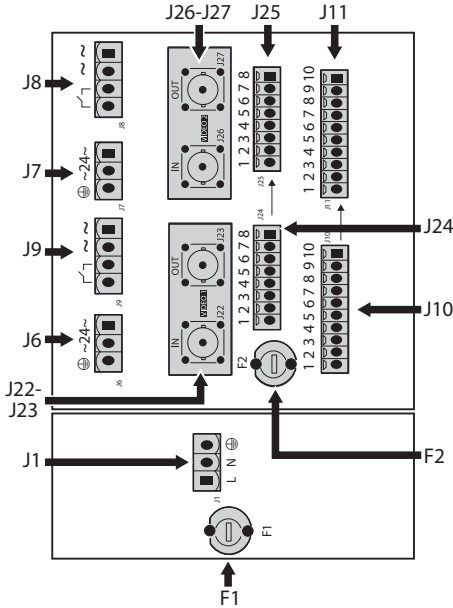


Fig. 12

BOARD DESCRIPTION		
Connector	Function	Terminals - Nominal section of the cables used
J1	Main power supply line	from 0.2mm <sup>2</sup> (24AWG) up to 2.5mm <sup>2</sup> (13AWG)
F1	Main power supply fuse	-
J6	Power supply output 24Vac	from 0.2mm <sup>2</sup> (24AWG) up to 2.5mm <sup>2</sup> (13AWG)
J7	Power supply output 24Vac	from 0.2mm <sup>2</sup> (24AWG) up to 2.5mm <sup>2</sup> (13AWG)
J8	24Vac output, for washer and command relay input from the VIDEOTEC camera	from 0.2mm <sup>2</sup> (24AWG) up to 2.5mm <sup>2</sup> (13AWG)
J9	24Vac output, for washer and command relay input from the VIDEOTEC camera	from 0.2mm <sup>2</sup> (24AWG) up to 2.5mm <sup>2</sup> (13AWG)
J22	BNC (Video 1) IN	-
J23	BNC (Video 1) OUT	-
J26	BNC (Video 2) IN	-
J27	BNC (Video 2) OUT	-
F2	24Vac power supply output fuse	-
J24	8-pole connector IN (the contacts of connector J24 correspond to the contacts of connector J25)	from 0.2mm <sup>2</sup> (24AWG) up to 1.0mm <sup>2</sup> (17AWG)
J25	8-pole connector OUT (the contacts of connector J24 correspond to the contacts of connector J25)	from 0.2mm <sup>2</sup> (24AWG) up to 1.0mm <sup>2</sup> (17AWG)
J10	10-pole connector IN (the contacts of connector J10 correspond to the contacts of connector J11)	from 0.2mm <sup>2</sup> (24AWG) up to 1.0mm <sup>2</sup> (17AWG)
J11	10-pole connector OUT (the contacts of connector J10 correspond to the contacts of connector J11)	from 0.2mm <sup>2</sup> (24AWG) up to 1.0mm <sup>2</sup> (17AWG)

Tab. 2

**⚠ Length of conductor stripping: 5mm.**

## 6.1.2 Connection of the main power supply line



**CAUTION! TNV-1 installation type. The installation is type TNV-1, do not connect it to SELV circuits.**

Depending on the version, the device can be provided with different power supply voltages. The power supply voltage is indicated on the product identification label (4.4 Product marking label, page 9).

Connect the power supply cables to connector J1, following the instructions on the screen printing. Connect the safety earthing cable to connector J1, following the instructions on the screen printing (6.1.1 Connector board description, page 13).

CONNECTING THE POWER SUPPLY	
Colour	Terminal contact
<b>Power supply from 220Vac up to 230Vac</b>	
Blue	N (Neutral)
Brown	L (Phase)
Yellow/Green	⊕
<b>Power supply 24Vac</b>	
Defined by the installer	N (Neutral)
Defined by the installer	L (Phase)
Yellow/Green	⊕
<b>Power supply from 120Vac up to 127Vac</b>	
Blue	N (Neutral)
Brown	L (Phase)
Yellow/Green	⊕

Tab. 3

## 6.1.3 Products connection to the 24Vac power supply line

Connect the 24Vac power supply cables of the devices (PTZ or fixed camera) to the connectors J6 and J7. (6.1.1 Connector board description, page 13).

CONNECTION OF THE 24VAC OUTPUT POWER SUPPLY LINE	
Colour	Terminal contact
<b>Power supply 24Vac</b>	
Defined by the installer	~
Defined by the installer	~
Yellow/Green	⊕

Tab. 4

## 6.1.4 Multipolar connectors (relays, alarms, serial line)

Consult the installation manuals of the devices to connect for specifications on relays and alarms. Use the multipolar connectors, on the connectors board, to transfer the signals from the devices to the main system, considering the contacts of the connector J24 correspond to the contacts of the connector J25 and the contacts of the connector J10 correspond to the contacts of connector J11 (6.1.1 Connector board description, page 13).

## 6.1.5 BNC connectors (analogue video)

Consult the installation manuals of the devices to connect for specifications on analogue video signals. Use the BNC connectors, on the connectors' board, to transfer signals from the devices to the main system considering the connector J22, replica J23 and J26 replica J27 (6.1.1 Connector board description, page 13).



### 6.1.6 Connectors for the washer (WASNX)

Consult the installation manual of the washer for the relevant specifications. Connect the command contacts relay of the VIDEOTECH PTZ or fixed cameras and the power supply cables (24Vac) of the washer according to the diagram below (Fig. 13, page 15).

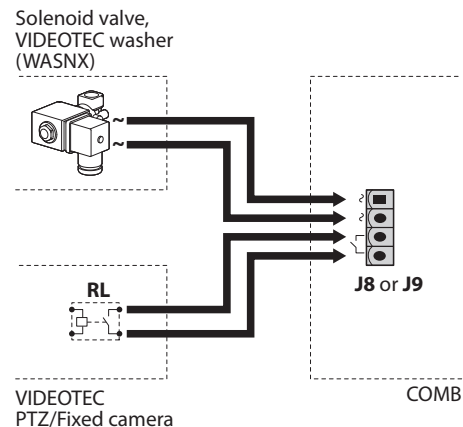


Fig. 13

### 6.1.7 Connectors for the washer (WASPT)

Consult the installation manual of the washer for the relevant specifications. Connect the command contacts relay of the VIDEOTECH PTZ or fixed cameras and the power supply cables (24Vac) of the washer according to the diagram below (Fig. 14, page 15).

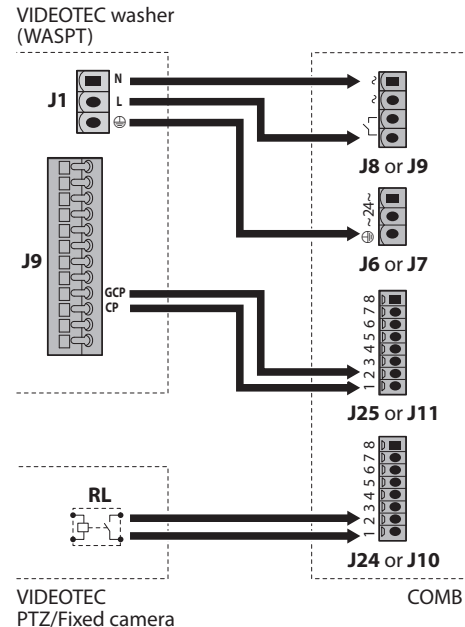


Fig. 14

## 6.1.8 Description of the switch board

### DESCRIPTION OF THE SWITCH BOARD

Connector	Function
J1	RJ45 Ethernet Connector
J3	RJ45 Ethernet Connector
J5	RJ45 Ethernet Connector
J2	SFP connector

Tab. 5

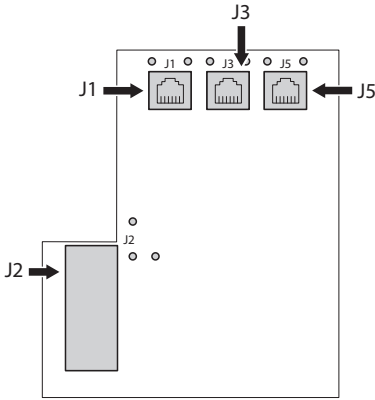


Fig. 15

Operation of the RJ45 connectors is signalled by the relevant two LEDs:

- Yellow LED: LED on, indicates the connection is enabled.
- Green LED: LED on, indicates the connection speed is 100Mbps; LED off, indicates the connection speed is 10Mbps.

Operation of the SFP connector is signalled by the relevant three LEDs:

- Yellow LED: LED on, indicates the connector is enabled.
- Red LED: LED on, indicates the fibre optic signal has pinged;
- Green LED: LED on, indicates the connection speed is 100Mbps.

## 6.1.9 Ethernet cables connection

The devices to connect can be connected indifferently to the RJ45 ports and/or to the SFP module.

The switch board can manage up to 3 RJ45 ports and is equipped with a slot for SFP modules.

Connect the Ethernet cables to ports RJ45, J1, J3, J5 connectors. Insert the SFP module (not supplied) in Slot J2 of the switch board (6.1.8 Description of the switch board, page 16).

Consult the SFP module manual for the relevant specifications.

**i** VIDEOTEC has tested various types of SFP modules. For further information please contact the VIDEOTEC service center.

Consult the installation manuals of the devices to connect for specifications on the Ethernet cable.

## 6.1.10 Using the splice tray

COMB is equipped with a splice tray to host the fiber optics.

Remove the screws (01) and take out the splice tray (02) (Fig. 16, page 16).

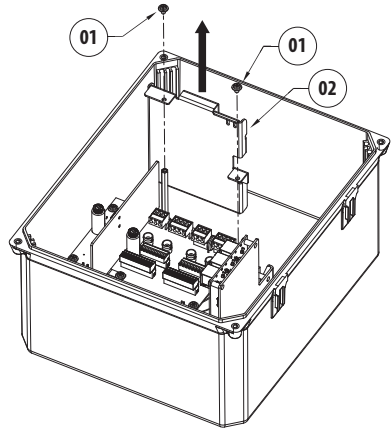


Fig. 16

Arrange the fibre optics as indicated in the figure, use the nylon ties supplied to fasten them (Fig. 17, page 17).

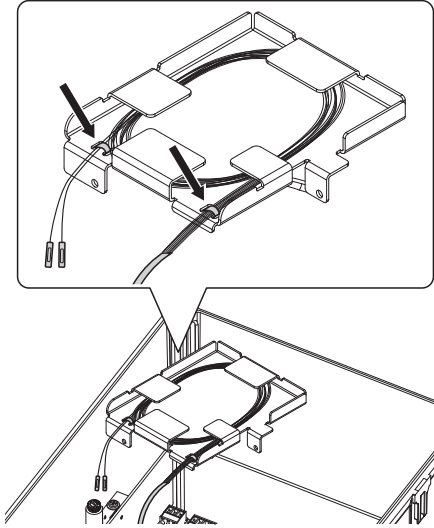


Fig. 17

Position the splice tray in place and fasten it using the previously removed screws (Fig. 18, page 17).

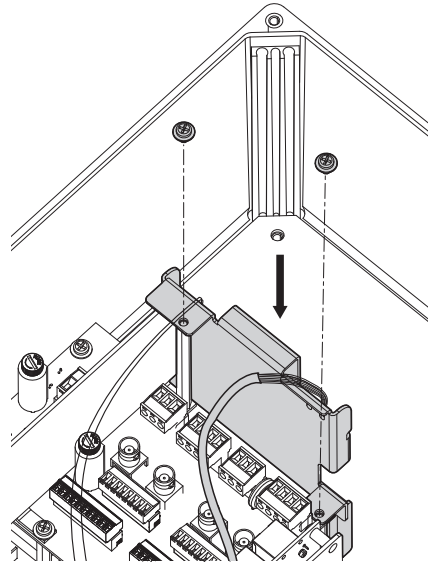


Fig. 18



**Apply threadlocker in the fastening screws (Loctite 243®).**



**Pay attention to the fixing. Screws tightening torque: 1.6Nm.**

## 7 Switching on

The unit is switched on by connecting the power supply.

To switch off the unit disconnect the power.

## 8 Maintenance

### 8.1 Fuses replacement



**CAUTION! For continued protection against risk of fire, replace only with same type and rating of fuse. Fuses must be replaced only by service personnel.**

If necessary, the connector board's fuses can be replaced (6.1.1 Connector board description, page 13). The new fuses must comply with the directions given in the table.

FUSES REPLACEMENT		
Supply voltage	Fuse (F1)	Fuse (F2)
from 220Vac up to 230Vac, 50/60Hz	T 4A H 250V 5x20	T 8A H 250V 5x20
24Vac, 50/60Hz	T 8A H 250V 5x20	T 8A H 250V 5x20
from 120Vac up to 127Vac, 50/60Hz	T 4A H 250V 5x20	T 8A H 250V 5x20

Tab. 6

## 9 Cleaning



**Frequency will depend on the type of environment in which the product is used.**



**Avoid ethyl alcohol, solvents, hydrogenated hydrocarbide, strong acid and alkali. Such products may irreparably damage the surface.**

Cleaning should be done with mild soap diluted with water.

## 10 Information on disposal and recycling

The European Directive 2012/19/EU on Waste Electrical and Electronic Equipment (WEEE) mandates that these devices should not be disposed of in the normal flow of municipal solid waste, but they should be collected separately in order to optimize the recovery stream and recycling of the materials that they contain and to reduce the impact on human health and the environment due to the presence of potentially hazardous substances.



**The symbol of the crossed out bin is marked on all products to remember this.**

The waste may be delivered to appropriate collection centers, or may be delivered free of charge to the distributor where you purchased the equipment at the time of purchase of a new equivalent or without obligation to a new purchase for equipment with size smaller than 25cm (9.8in).

For more information on proper disposal of these devices, you can contact the responsible public service.

## 11 Troubleshooting



**Contact the VIDEOTEC technical service or an authorized support centre if the problems listed below persist or you have any other issues that are not described here.**

When contacting VIDEOTEC for assistance please provide the serial number and the identification code of the model.

### PROBLEM

CAUSE

SOLUTION

**The product does not go on.**

Wiring error, blown fuse.

Make sure the connections are correct. Check the continuity of the fuses and replace them with the indicated models should they fail.

## 12 Technical data

### 12.1 Mechanical

Material: Polycarbonate

Attachment points: 6, diameter 8.4mm (0.33in)

External dimensions (WxHxL): 368.3x195.4x285.5mm (14.5x7.7x11.2in)

Cable glands not supplied with the product

Splice tray to host the fiber optics included in the product

Unit weight: 6.6kg (14.5lb)

### 12.2 Electrical

COMB exclusively supports VIDEOTEC products with 24Vac.

Input voltages available:

- from 220Vac up to 230Vac  $\pm 10\%$ , 50/60Hz
- 24Vac  $\pm 10\%$ , 50/60Hz
- from 120Vac up to 127Vac  $\pm 10\%$ , 50/60Hz

Output voltage: 24Vac, 50/60Hz, 200VA (120VA max UL 62368-1)

Possible system configurations:

- A VIDEOTEC PTZ camera with or without the relevant VIDEOTEC washer.
- One or two VIDEOTEC fixed cameras with or without the relevant VIDEOTEC washers.
- A VIDEOTEC fixed camera and a VIDEOTEC PTZ camera without washers.

### 12.3 Network

4 channels unmanaged ethernet switch:

3 RJ45 ports

- Ethernet connection: 10BASE-T/100BASE-T

1 SFP port (SMALL FORM FACTOR PLUGGABLE)

- Ethernet connection: 100BASE-FX
- Supply voltage: 3.3V
- Standard: MSA compliant

The SFP module (not supplied by VIDEOTEC) must meet the following requirements:

- Laser: Class 1, complies with EN60825-1
- UL/IEC 60950-1 or UL/IEC 62368-1 Certification

### 12.4 Analogue video

2 bypass for analog video signals with BNC connectors

### 12.5 I/O interface

2 bypass for I / O signals with multi-pin connectors

### 12.6 Environment

For indoors and outdoors installation

Operating temperature: from -40°C (-40°F) up to +70°C (158°F)

Relative humidity: from 5% up to 95%

### 12.7 Certifications

Electrical safety (CE): EN60950-1, IEC60950-1, EN62368-1, IEC62368-1

Electromagnetic compatibility (CE): EN50130-4, EN55032 (Class A), EN61000-6-4, EN61000-3-2, EN61000-3-3

RoHS (CE): EN50581

Outdoor installation (CE): EN60950-22, IEC60950-22

Vibration test: EN50130-5, EN60068-2-6

UL certification (UL60950-1, CAN/CSA C22.2 No. 60950-1-07, UL62368-1, CAN/CSA C22.2 No. 62368-1-14): cULus Listed

Electromagnetic compatibility (North America): FCC part 15 (Class A), ICES-003 (Class A)

IP protection degree (EN/IEC60529): IP66, IP67, IP68, IP69

IK protection degree: IK10

Level of protection Type (UL50E): 4X, 6P

EAC certification

KC certification (Only for code COMB100A)

### 12.8 Certifications - Railway applications

Compliance to railway application standard:

EN50121-4 (the product requires the filter accessory SURGEPR)


## 12.9 Certifications - Marine applications

Lloyd's Register Marine Type Approval certification:  
Test Specification Number 1 (ENV1, ENV2, ENV3,  
ENV5)

Electromagnetic compatibility: EN60945

Salty fog resistance: EN60068-2-52

## 13 Technical drawings

 The indicated measurements are expressed in millimetres.

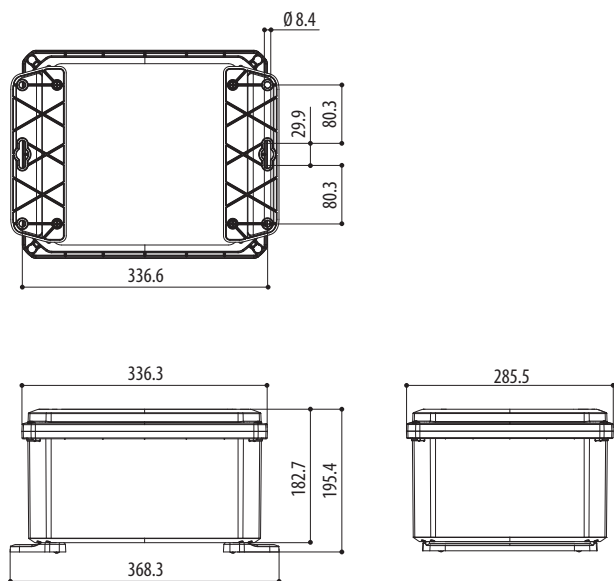


Fig. 19 COMB.

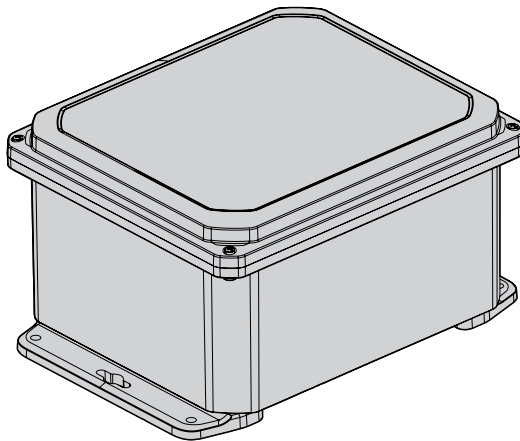


**Headquarters Italy** VIDEOTECH S.r.l.  
Via Friuli, 6 - I-36015 Schio (VI) - Italy  
Tel. +39 0445 697411 - Fax +39 0445 697414  
Email: [info@videotec.com](mailto:info@videotec.com)  
[www.videotec.com](http://www.videotec.com)



# COMB

Communication box in policarbonato







# Sommario

<b>1 Informazioni sul presente manuale.....</b>	<b>5</b>
1.1 Convenzioni tipografiche .....	5
<b>2 Note sul copyright e informazioni sui marchi commerciali .....</b>	<b>5</b>
<b>3 Norme di sicurezza .....</b>	<b>5</b>
<b>4 Identificazione.....</b>	<b>8</b>
4.1 Descrizione e designazione del prodotto .....	8
4.2 Panoramica del prodotto.....	9
4.3 Campo di utilizzo .....	9
4.4 Etichetta di marcatura del prodotto .....	9
4.4.1 Controllo della marcatura .....	9
4.5 Identificazione del modello .....	9
<b>5 Preparazione del prodotto per l'utilizzo.....</b>	<b>10</b>
5.1 Disimballaggio .....	10
5.2 Contenuto.....	10
5.3 Smaltimento in sicurezza dei materiali di imballaggio.....	10
5.4 Apertura del prodotto.....	10
5.5 Ingresso cavi .....	11
5.6 Montaggio delle flange di fissaggio .....	12
5.7 Chiusura del prodotto .....	12
<b>6 Installazione .....</b>	<b>13</b>
6.1 Collegamento dei cavi.....	13
6.1.1 Descrizione della scheda connettori.....	13
6.1.2 Collegamento della linea di alimentazione principale.....	14
6.1.3 Collegamento dei prodotti alla linea di alimentazione 24Vac.....	14
6.1.4 Connettori multipolari (relè, allarmi, linea seriale) .....	14
6.1.5 Connettori BNC (video analogico) .....	14
6.1.6 Connettori per l'impianto di lavaggio (WASNX).....	15
6.1.7 Connettori per l'impianto di lavaggio (WASPT).....	15
6.1.8 Descrizione della scheda switch .....	16
6.1.9 Collegamento dei cavi Ethernet .....	16
6.1.10 Utilizzo dello splice tray .....	16
<b>7 Accensione .....</b>	<b>17</b>
<b>8 Manutenzione .....</b>	<b>18</b>
8.1 Sostituzione dei fusibili .....	18
<b>9 Pulizia .....</b>	<b>18</b>
<b>10 Informazioni sullo smaltimento e il riciclo .....</b>	<b>18</b>
<b>11 Risoluzione dei problemi.....</b>	<b>18</b>
<b>12 Dati tecnici .....</b>	<b>19</b>
12.1 Meccanica .....	19
12.2 Elettrico .....	19

12.3 Rete .....	19
12.4 Video analogico.....	19
12.5 Interfaccia I/O .....	19
12.6 Ambiente .....	19
12.7 Certificazioni.....	19
12.8 Certificazioni - Applicazioni ferroviarie .....	19
12.9 Certificazioni - Applicazioni marine.....	20
<b>13 Disegni tecnici .....</b>	<b>20</b>

# 1 Informazioni sul presente manuale

Prima di installare e utilizzare questo prodotto leggere attentamente tutta la documentazione fornita. Tenere il manuale a portata di mano per consultazioni successive.

## 1.1 Convenzioni tipografiche



### **PERICOLO!**

**Pericolosità elevata.**

**Rischio di scosse elettriche. Prima di eseguire qualsiasi operazione assicurarsi di togliere tensione al prodotto, salvo diversa indicazione.**



### **ATTENZIONE!**

**Pericolosità media.**

**L'operazione è molto importante per il corretto funzionamento del sistema. Si prega di leggere attentamente la procedura indicata e di eseguirla secondo le modalità previste.**



### **INFO**

**Descrizione delle caratteristiche del sistema.**

**Si consiglia di leggere attentamente per comprendere le fasi successive.**

# 3 Norme di sicurezza



### **PERICOLO!**

**Pericolosità elevata.**

**Rischio di scosse elettriche. Prima di eseguire qualsiasi operazione assicurarsi di togliere tensione al prodotto, salvo diversa indicazione.**

- Prima di eseguire qualsiasi operazione assicurarsi di togliere tensione al prodotto.
- L'impianto elettrico deve essere dotato di un sezionatore di rete prontamente riconoscibile e utilizzabile in caso di necessità.
- Non utilizzare cavi con segni di usura o invecchiamento.
- L'impianto elettrico al quale è collegata l'unità deve essere dotato di un interruttore di protezione bipolare automatico da 16A max (20A max per Nord America). La distanza minima tra i contatti dell'interruttore di protezione deve essere di 3mm. L'interruttore deve essere provvisto di protezione contro la corrente di guasto verso terra (differenziale) e la sovracorrente (magnetotermico).
- L'apparecchiatura non è adatta per l'uso in luoghi dov'è probabile la presenza di bambini.

# 2 Note sul copyright e informazioni sui marchi commerciali

I nomi di prodotto o di aziende citati sono marchi commerciali o marchi commerciali registrati appartenenti alle rispettive società.

**ATTENZIONE!****Pericolosità media.****L'operazione è molto importante per il corretto funzionamento del sistema.****Si prega di leggere attentamente la procedura indicata e di eseguirla secondo le modalità previste.**

- Prima di fornire alimentazione assicurarsi che l'apparecchio sia saldamente ancorato.
  - Qualsiasi intervento non espressamente approvato dal costruttore fa decadere la garanzia.
  - Per interventi di assistenza tecnica rivolgersi esclusivamente a personale tecnico autorizzato.
  - Si devono rispettare le normative nazionali per l'installazione del dispositivo.
  - Il prodotto può essere installato in qualsiasi posizione.
  - Isolare elettricamente tutti i cavi non collegati.
  - Il costruttore declina ogni responsabilità per eventuali danni, su tutte le apparecchiature menzionate in questo manuale, derivanti da manomissione, utilizzo di ricambi non originali, installazione, manutenzione e riparazione eseguiti da personale non qualificato.
  - Questo è un prodotto di Classe A. In un ambiente residenziale questo prodotto può provocare radiodisturbi. In questo caso può essere richiesto all'utilizzatore di prendere misure adeguate.
- Tutti i pressacavi, o altro mezzo di ingresso cavi, devono essere certificati UL per mantenere la certificazione, in ogni caso adeguato al grado di tenuta che si vuole mantenere.
  - In caso di danneggiamento la sostituzione o riparazione delle parti interessate deve essere eseguita da VIDEOTEC o sotto la sua supervisione.
  - Come indicato, qualsiasi sostituzione di ricambi deve essere eseguita utilizzando solamente ricambi originali VIDEOTEC, seguendo scrupolosamente le istruzioni di manutenzione allegate ad ogni kit di ricambio.
  - Usare mezzi di protezione individuali adeguati durante l'installazione.
  - Non effettuare per nessun motivo alterazioni o collegamenti non previsti in questo manuale. L'uso di apparecchi non idonei può portare a gravi pericoli per la sicurezza del personale e dell'impianto.
  - Utilizzare solo parti di ricambio originali. Pezzi di ricambio non originali potrebbero causare incendi, scariche elettriche o altri pericoli.
  - Collegare il dispositivo ad una sorgente d'alimentazione corrispondente a quella indicata nell'etichetta di marcatura. Prima di procedere con l'installazione verificare che la linea elettrica sia opportunamente sezionata.

**INFO****Descrizione delle caratteristiche del sistema.****Si consiglia di leggere attentamente per comprendere le fasi successive.**

- Non vi sono particolari istruzioni in materia di movimentazione. Si consiglia al personale addetto di eseguire tale operazione nell'osservanza delle norme comuni di prevenzione degli incidenti.
- Assicurarsi di aver preso tutte le prescrizioni di sicurezza riguardo l'incolumità del personale.
- Prima di procedere con l'installazione, controllare che il materiale fornito corrisponda alle specifiche richieste esaminando le etichette di marcatura ( 4.4 Etichetta di marcatura del prodotto, pagina 9).
- L'apparecchio è destinato all'installazione in un'Area ad Accesso Limitato effettuata da personale tecnico specializzato.
- Poiché la responsabilità della scelta della superficie di ancoraggio dell'unità ricade sull'utente, il produttore non fornisce in dotazione i dispositivi di fissaggio per l'ancoraggio dell'unità alla superficie. L'installatore è responsabile della scelta di dispositivi idonei alla superficie a sua disposizione. Si raccomanda l'utilizzo di metodi e materiali in grado di sopportare un peso almeno 4 volte superiore a quello dell'apparecchio.
- La categoria di installazione (detta anche categoria di sovratensione) specifica i livelli della tensione transitoria di rete alla quale l'apparato è soggetto. La categoria dipende dal luogo di installazione e dalla presenza di dispositivi di protezione contro le sovratensioni. Un dispositivo per ambienti industriali, connesso ai rami principali dell'impianto di alimentazione è soggetto alla categoria di installazione III. Se questo è il caso, è richiesta una riduzione alla categoria II. Ciò può essere ottenuto utilizzando un trasformatore di isolamento con schermatura connessa a terra tra il primario ed il secondario, o tramite l'impiego di dispositivi di protezione contro le sovratensioni (SPD), UL listed, connessi tra la fase ed il neutro e tra il neutro e terra. I dispositivi SPD UL listed, dovranno essere predisposti per limitare sovratensioni transitorie in modo ripetitivo e per le seguenti condizioni nominali di funzionamento: Tipo 2 (Dispositivi SPD connessi permanentemente alla rete di alimentazione, per installazioni dal lato del carico del dispositivo di servizio); Corrente nominale di scarica (In) 20kA minimi. Si possono utilizzare ad esempio: FERRAZ SHAWMUT, ST23401PG-CN, ST240SPG-CN specificati per 120Vac/240Vac, (In=20kA). La distanza massima tra l'installazione e la riduzione è di 5m.
- Per essere conforme ai requisiti della normativa sugli abbassamenti e le brevi interruzioni della tensione di alimentazione, utilizzare un adeguato gruppo di continuità (UPS) per alimentare l'unità.
- Il produttore declina ogni responsabilità per eventuali danni derivanti da un uso improprio delle apparecchiature menzionate in questo manuale. Si riserva inoltre il diritto di modificarne il contenuto senza preavviso. Ogni cura è stata posta nella raccolta e nella verifica della documentazione contenuta in questo manuale. Il produttore, tuttavia, non può assumersi alcuna responsabilità derivante dall'utilizzo della stessa. Lo stesso dicasi per ogni persona o società coinvolta nella creazione e nella produzione di questo manuale.

## 4 Identificazione

### 4.1 Descrizione e designazione del prodotto

COMB è una communication box dotata di tutto ciò che serve per collegare una o più telecamere IP o analogiche e il relativo impianto di lavaggio.

COMB fornisce alimentazione locale a bassa tensione. Permette inoltre una connessione Fast Ethernet, grazie allo switch Ethernet integrato dotato di tre porte RJ45 e una porta SFP per il collegamento tramite fibra ottica. La scheda interna offre inoltre un doppio bypass dei segnali video analogici e un doppio bypass per i segnali I/O con connettori multipolari. Gli spazi interni sono studiati per facilitare l'accesso dei cavi e rendere comode tutte le operazioni di connessione.

Il funzionamento di COMB è garantito per le seguenti configurazioni d'impianto:

- Una telecamera PTZ VIDEOTEC con o senza il relativo impianto di lavaggio VIDEOTEC.

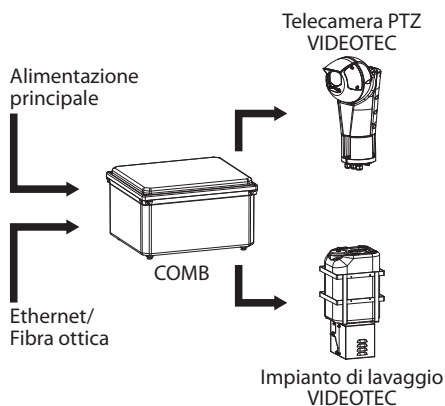


Fig. 1

- Una o due telecamere fisse VIDEOTEC con o senza i relativi impianti di lavaggio VIDEOTEC.

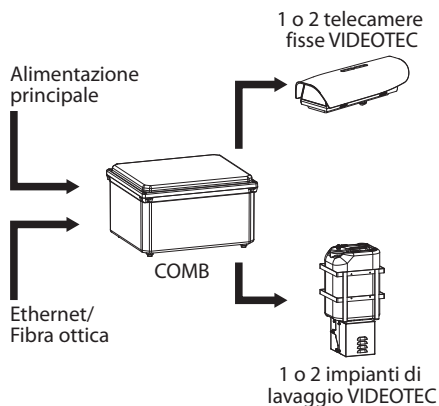


Fig. 2

- Una telecamera PTZ VIDEOTEC e una telecamera fissa VIDEOTEC senza impianti di lavaggio.

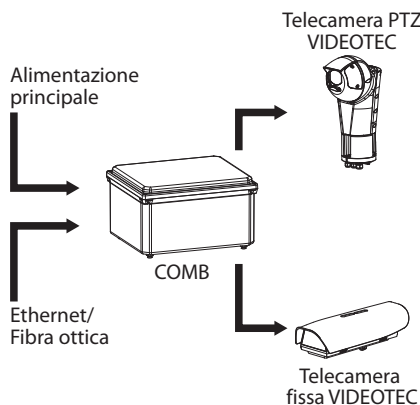


Fig. 3

## 4.2 Panoramica del prodotto

Di seguito vengono illustrate le componenti principali del prodotto:

1. Cassetta.
2. Coperchio.
3. Flange di fissaggio.

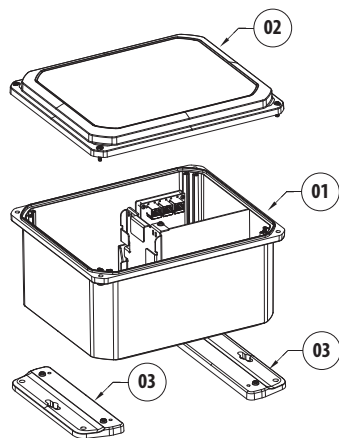


Fig. 4

## 4.3 Campo di utilizzo

Temperatura di esercizio: da  $-40^{\circ}\text{C}$  fino a  $+70^{\circ}\text{C}$ .

## 4.4 Etichetta di marcatura del prodotto

Vedere l'etichetta posta sul prodotto.

### 4.4.1 Controllo della marcatura

Prima di procedere con l'installazione controllare che il materiale fornito corrisponda alle specifiche richieste, esaminando le etichette di marcatura.

Non effettuare per nessun motivo alterazioni o collegamenti non previsti in questo manuale. L'uso di apparecchi non idonei può portare a gravi pericoli per la sicurezza del personale e dell'impianto.

## 4.5 Identificazione del modello

COMB - OPZIONI DI CONFIGURAZIONE			
	Tensione di ingresso		Revisione
COMB 1	da 220Vac fino a 230Vac	00	A
2	24Vac		
3	da 120Vac fino a 127Vac		

Tab. 1.

## 5 Preparazione del prodotto per l'utilizzo

### 5.1 Disimballaggio

Alla consegna del prodotto verificare che l'imballo sia integro e non presenti segni evidenti di cadute o abrasioni.

In caso di danni evidenti all'imballo contattare immediatamente il fornitore.

In caso di restituzione del prodotto malfunzionante è consigliato l'utilizzo dell'imballo originale per il trasporto.

Conservare l'imballo qualora fosse necessario inviare il prodotto in riparazione.

### 5.2 Contenuto

Controllare che il contenuto sia corrispondente alla lista del materiale sotto elencato:

- Communication box
- Manuali di istruzioni
- Flange di fissaggio
- Fascette (3)
- Viteria

### 5.3 Smaltimento in sicurezza dei materiali di imballaggio

I materiali d'imballo sono costituiti interamente da materiale riciclabile. Sarà cura del tecnico installatore smaltirli secondo le modalità di raccolta differenziata o comunque secondo le norme vigenti nel Paese di utilizzo.

### 5.4 Apertura del prodotto



**Durante le operazioni di apertura e chiusura del prodotto prestare attenzione a non rovinare la guarnizione del coperchio.**

Svitare le 4 viti e rimuovere il coperchio.

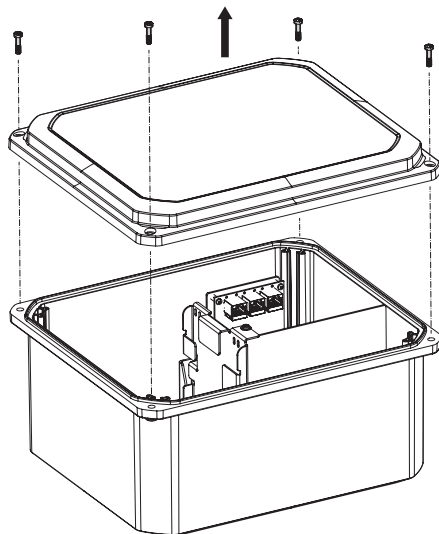





Fig. 5



## 5.5 Ingresso cavi

 Per mantenere il grado di protezione IP del prodotto utilizzare pressacavi con adeguato grado IP.

 Per mantenere la certificazione UL i pressacavi utilizzati devono essere certificati UL.

 Tutti i pressacavi devono essere adatti alle condizioni di utilizzo e installati correttamente.

Il prodotto viene fornito senza forature. Si consiglia di forare la cassetta sul lato corto indicato in figura ( Fig. 6, pagina 11).

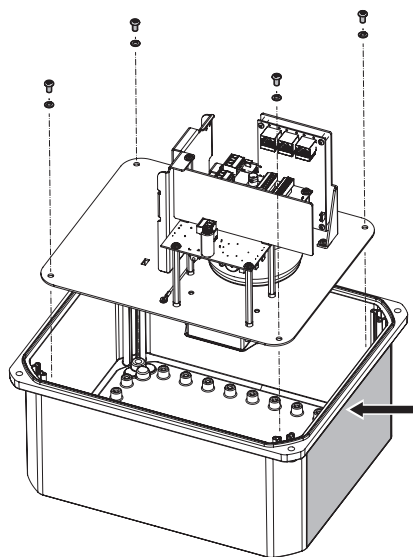


Fig. 6

Prima di forare la cassetta rimuovere il blocco interno (01) costituito da piastra di supporto, scheda connettori, scheda switch, trasformatore, splice tray.

Per rimuovere il blocco interno (01) svitare le quattro viti di fissaggio (02).

Afferrare la piastra di divisione scheda (03), sollevare il blocco interno (01) e sfilarlo dalla cassetta (04) (Fig. 7, pagina 11 ed Fig. 8, pagina 11).

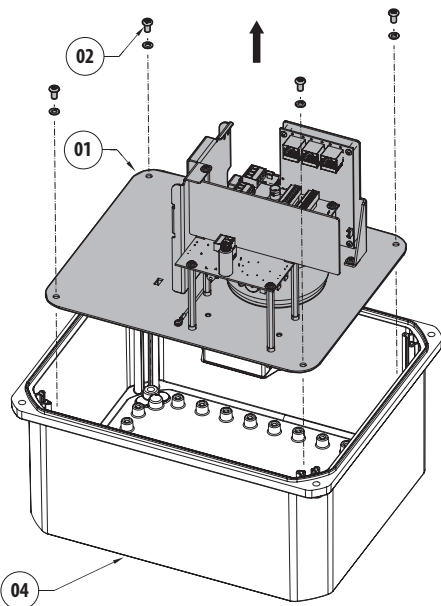


Fig. 7

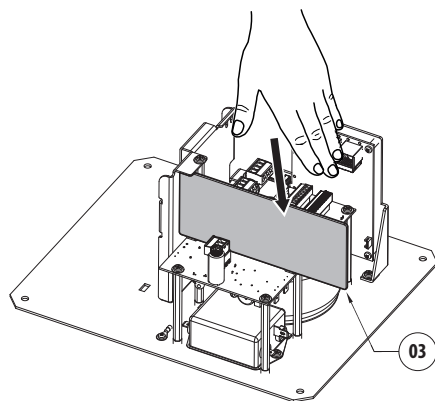


Fig. 8

Nelle ultime pagine di questo manuale sono riportati due esempi di dime per la corretta foratura (DRILLING TEMPLATE - A, DRILLING TEMPLATE - B).

In base alla configurazione voluta si suggerisce di utilizzare una delle dime di foratura presenti nel manuale.

**⚠ Nel caso si voglia collegare un prodotto della famiglia NXPTZ o NXPTZ SERIES2 alla COMB, si deve effettuare nella cassetta un foro dal diametro di 32mm.**

Una volta effettuata la foratura desiderata, montare i pressacavi (non forniti in dotazione) e afferrando la piastra di divisione scheda (03) reinserire il blocco interno (01) nella cassetta (04). Fissare la piastra di supporto del blocco interno (01) con le viti precedentemente rimosse (02) (Fig. 9, pagina 12).

**⚠ Prestare attenzione durante il fissaggio. Coppia di serraggio: 2Nm.**

**Non applicare frenafili.**

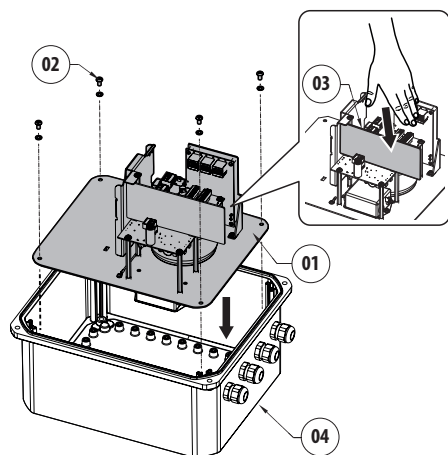


Fig. 9

## 5.6 Montaggio delle flange di fissaggio

Montare le flange di fissaggio come illustrato in figura, utilizzando le viti in dotazione.

**⚠ Prestare attenzione durante il fissaggio. Coppia di serraggio: 2Nm.**

**Non applicare frenafili.**

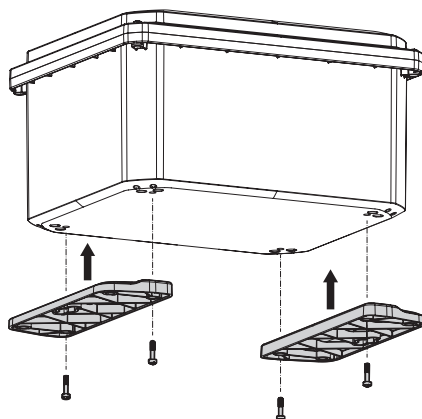


Fig. 10

## 5.7 Chiusura del prodotto

**⚠ Durante le operazioni di apertura e chiusura del prodotto prestare attenzione a non rovinare la guarnizione del coperchio.**

Verificare che non vi sia la presenza di sporcizia o residui.

Chiudere il coperchio tramite le quattro viti.

**⚠ Prestare attenzione durante il fissaggio. Coppia di serraggio viti: 1.3Nm.**

**Non applicare frenafili.**

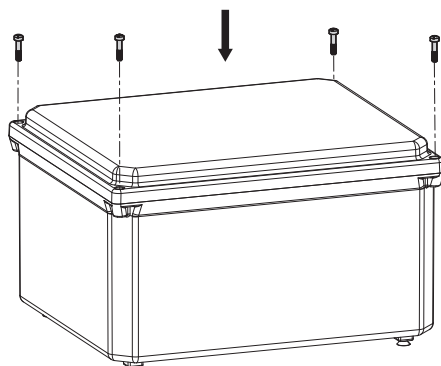


Fig. 11

# 6 Installazione

**⚠** Prima di installare il prodotto togliere la pellicola blu trasparente di protezione dal coperchio.

## 6.1 Collegamento dei cavi

Una volta rimosso il coperchio si accede a una scheda di connettori rimovibili e a una scheda switch con tre connettori RJ45 e uno slot SFP.

### 6.1.1 Descrizione della scheda connettori

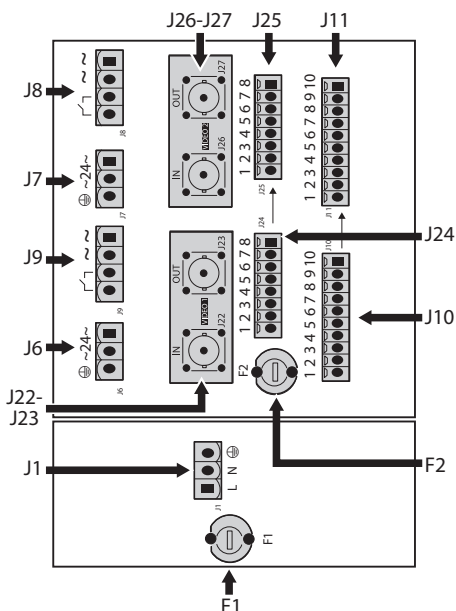


Fig. 12

DESCRIZIONE DELLA SCHEDA		
Connettore	Funzione	Morsetti - Sezione nominale dei cavi utilizzabili
J1	Linea di alimentazione principale	da 0.2mm <sup>2</sup> (24AWG) fino a 2.5mm <sup>2</sup> (13AWG)
F1	Fusibile alimentazione principale	-
J6	Uscita alimentazione 24Vac	da 0.2mm <sup>2</sup> (24AWG) fino a 2.5mm <sup>2</sup> (13AWG)
J7	Uscita alimentazione 24Vac	da 0.2mm <sup>2</sup> (24AWG) fino a 2.5mm <sup>2</sup> (13AWG)
J8	Uscita 24Vac, per impianto di lavaggio e ingresso relè di comando da telecamera VIDEOTEC	da 0.2mm <sup>2</sup> (24AWG) fino a 2.5mm <sup>2</sup> (13AWG)
J9	Uscita 24Vac, per impianto di lavaggio e ingresso relè di comando da telecamera VIDEOTEC	da 0.2mm <sup>2</sup> (24AWG) fino a 2.5mm <sup>2</sup> (13AWG)
J22	BNC (Video 1) IN	-
J23	BNC (Video 1) OUT	-
J26	BNC (Video 2) IN	-
J27	BNC (Video 2) OUT	-
F2	Fusibile uscita alimentazione 24Vac	-
J24	Connettore 8 poli IN (i contatti del connettore J24 corrispondono ai contatti del connettore J25)	da 0.2mm <sup>2</sup> (24AWG) fino a 1.0mm <sup>2</sup> (17AWG)
J25	Connettore 8 poli OUT (i contatti del connettore J24 corrispondono ai contatti del connettore J25)	da 0.2mm <sup>2</sup> (24AWG) fino a 1.0mm <sup>2</sup> (17AWG)
J10	Connettore 10 poli IN (i contatti del connettore J10 corrispondono ai contatti del connettore J11)	da 0.2mm <sup>2</sup> (24AWG) fino a 1.0mm <sup>2</sup> (17AWG)
J11	Connettore 10 poli OUT (i contatti del connettore J10 corrispondono ai contatti del connettore J11)	da 0.2mm <sup>2</sup> (24AWG) fino a 1.0mm <sup>2</sup> (17AWG)

Tab. 2

**⚠** Lunghezza della spellatura dei conduttori: 5mm.

## 6.1.2 Collegamento della linea di alimentazione principale



**ATTENZIONE! L'installazione è di tipo TNV-1. Non collegare a circuiti SELV.**

A seconda della versione, al dispositivo possono essere fornite diverse tensioni di alimentazione.

Il valore di tensione di alimentazione è riportato nell'etichetta identificativa del prodotto (4.4 Etichetta di marcatura del prodotto, pagina 9).

Collegare i cavi di alimentazione al connettore J1, rispettando le indicazioni sulla serigrafia. Collegare un cavo di messa a terra di sicurezza al connettore J1, rispettando le indicazioni sulla serigrafia (6.1.1 Descrizione della scheda connettori, pagina 13).

COLLEGAMENTO DELLA LINEA DI ALIMENTAZIONE	
Colore	Contatto del morsetto
<b>Alimentazione da 220Vac fino a 230Vac</b>	
Blu	N (Neutro)
Marrone	L (Fase)
Giallo/Verde	⊕
<b>Alimentazione 24Vac</b>	
Definito dall'installatore	N (Neutro)
Definito dall'installatore	L (Fase)
Giallo/Verde	⊕
<b>Alimentazione da 120Vac fino a 127Vac</b>	
Blu	N (Neutro)
Marrone	L (Fase)
Giallo/Verde	⊕

Tab. 3

## 6.1.3 Collegamento dei prodotti alla linea di alimentazione 24Vac

Collegare i cavi di alimentazione 24Vac dei dispositivi (PTZ o telecamera fissa) ai connettori J6 e J7. (6.1.1 Descrizione della scheda connettori, pagina 13).

COLLEGAMENTO DELLA LINEA DI ALIMENTAZIONE DI USCITA 24VAC	
Colore	Contatto del morsetto
<b>Alimentazione 24Vac</b>	
Definito dall'installatore	~
Definito dall'installatore	~
Giallo/Verde	⊕

Tab. 4

## 6.1.4 Connettori multipolari (relè, allarmi, linea seriale)

Consultare i manuali di installazione dei dispositivi da collegare per le specifiche su relè e allarmi. Utilizzare i connettori multipolari, sulla scheda connettori, per trasferire i segnali dai dispositivi all'impianto principale considerando che i contatti del connettore J24 corrispondono ai contatti del connettore J25 e i contatti del connettore J10 corrispondono ai contatti del connettore J11 (6.1.1 Descrizione della scheda connettori, pagina 13).

## 6.1.5 Connettori BNC (video analogico)

Consultare i manuali di installazione dei dispositivi da collegare per le specifiche sui segnali video analogici. Utilizzare i connettori BNC sulla scheda connettori per trasferire i segnali dai dispositivi all'impianto principale considerando che il connettore J22 replica J23 e J26 replica J27 (6.1.1 Descrizione della scheda connettori, pagina 13).

## 6.1.6 Connettori per l'impianto di lavaggio (WASNX)

Consultare il manuale di installazione dell'impianto di lavaggio da collegare per le relative specifiche. Collegare i contatti del relè di comando del PTZ o delle telecamere fisse VIDEOTECH e i cavi di alimentazione (24Vac) dell'impianto di lavaggio secondo lo schema sottostante (Fig. 13, pagina 15).

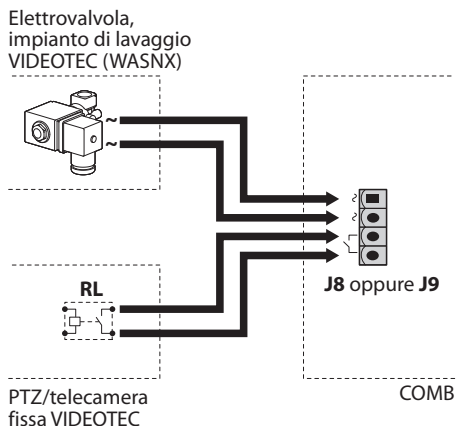


Fig. 13

## 6.1.7 Connettori per l'impianto di lavaggio (WASPT)

Consultare il manuale di installazione dell'impianto di lavaggio da collegare per le relative specifiche. Collegare i contatti del relè di comando del PTZ o delle telecamere fisse VIDEOTECH e i cavi di alimentazione (24Vac) dell'impianto di lavaggio secondo lo schema sottostante (Fig. 14, pagina 15).

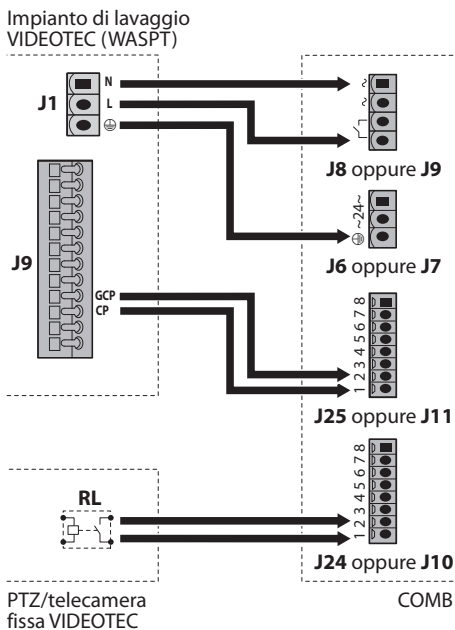


Fig. 14

## 6.1.8 Descrizione della scheda switch

### DESCRIZIONE DELLA SCHEDA SWITCH

Connettore	Funzione
J1	RJ45 Connettore Ethernet
J3	RJ45 Connettore Ethernet
J5	RJ45 Connettore Ethernet
J2	Connettore SFP

Tab. 5

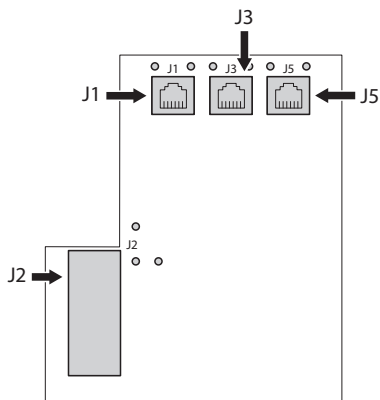


Fig. 15

Il funzionamento dei connettori RJ45 è segnalato dai relativi due led:

- Led giallo: led acceso, indica che la connessione è attiva.
- Led verde: led acceso, indica che la velocità di connessione è 100Mbps; led spento, indica che la velocità di connessione è 10Mbps.

Il funzionamento del connettore SFP è segnalato dai relativi tre led:

- Led giallo: led acceso, indica che il connettore è attivo.
- Led rosso: led acceso, indica che il segnale della fibra ottica è agganciato;
- Led verde: led acceso, indica che la velocità di connessione è 100Mbps.

## 6.1.9 Collegamento dei cavi Ethernet

I dispositivi da collegare alla rete possono essere connessi indifferentemente alle porte RJ45 e/o al modulo SFP.

La scheda switch può gestire fino a 3 porte RJ45 ed è dotata di uno slot per moduli SFP.

Collegare i cavi Ethernet alle porte RJ45, connettori J1, J3, J5. Inserire il modulo SFP (non fornito) nello Slot J2 della scheda switch (6.1.8 Descrizione della scheda switch, pagina 16).

Consultare il manuale del modulo SFP per le relative specifiche.



**VIDEOTEC ha testato diverse tipologie di moduli SFP. Per ulteriori informazioni contattare il centro di assistenza VIDEOTEC.**

Consultare i manuali di installazione dei dispositivi da collegare per le specifiche del cavo di rete Ethernet.

## 6.1.10 Utilizzo dello splice tray

COMB è dotata di uno splice tray per l'alloggiamento delle fibre ottiche.

Rimuovere le viti (01) ed estrarre lo splice tray (02) ( Fig. 16, pagina 16).

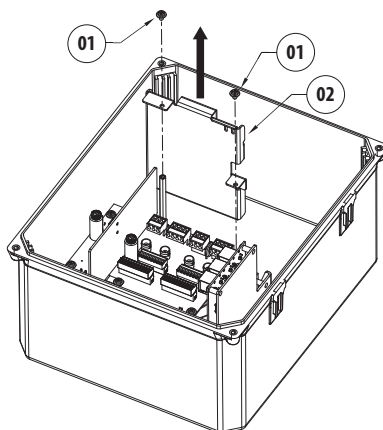


Fig. 16

Disporre le fibre ottiche come indicato in figura, utilizzare le fascette in nylon in dotazione per fissarle (Fig. 17, pagina 17).

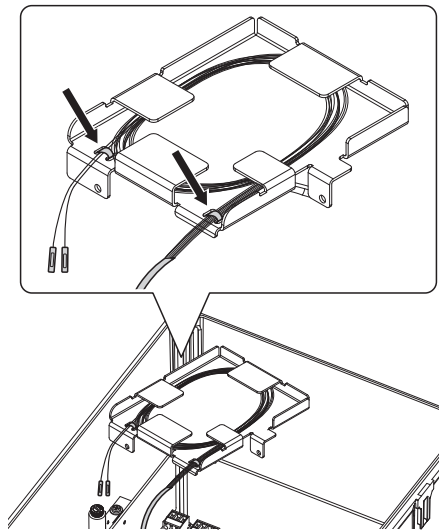


Fig. 17

Posizionare in sede lo splice tray e fissarlo con le viti precedentemente rimosse (Fig. 18, pagina 17).

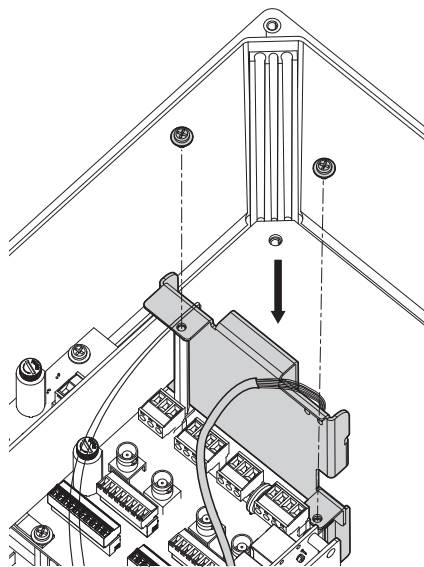


Fig. 18

**⚠** Applicare del frenafili nelle viti di fissaggio (Loctite 243®).

**⚠** Prestare attenzione durante il fissaggio. Coppia di serraggio viti: 1.6Nm.

## 7 Accensione

Collegare l'alimentazione elettrica per accendere l'unità.

Scollegare l'alimentazione elettrica per spegnere l'unità.

## 8 Manutenzione

### 8.1 Sostituzione dei fusibili



**ATTENZIONE!** Per assicurare la protezione contro il rischio di incendio, sostituire i fusibili con lo stesso tipo e valore. I fusibili devono essere sostituiti solo da personale qualificato.

In caso di necessità è possibile sostituire i fusibili della scheda connettori (6.1.1 Descrizione della scheda connettori, pagina 13). I nuovi fusibili dovranno rispettare le indicazioni fornite in tabella.

SOSTITUZIONE DEI FUSIBILI		
Tensione di alimentazione	Fusibile (F1)	Fusibile (F2)
da 220Vac fino a 230Vac, 50/60Hz	T 4A H 250V 5x20	T 8A H 250V 5x20
24Vac, 50/60Hz	T 8A H 250V 5x20	T 8A H 250V 5x20
da 120Vac fino a 127Vac, 50/60Hz	T 4A H 250V 5x20	T 8A H 250V 5x20

Tab. 6

## 9 Pulizia



La frequenza degli interventi dipende dalla tipologia dell'ambiente in cui è utilizzato il prodotto.



Evitare alcool etilico, solventi, idrocarburi idrogenati, acidi forti e alcali. L'utilizzo di detti prodotti danneggia in modo irreparabile la superficie trattata.

La pulizia deve essere effettuata con detergente neutro diluito con acqua.

## 10 Informazioni sullo smaltimento e il riciclo

La Direttiva Europea 2012/19/UE sui Rifiuti di Apparecchiature Elettriche ed Elettroniche (RAEE) prevede che questi apparecchi non debbano essere smaltiti nel normale flusso dei rifiuti solidi urbani, ma che vengano raccolti separatamente per ottimizzare il flusso di recupero e riciclaggio dei materiali che li compongono ed impedire potenziali danni per la salute e per l'ambiente dovuti alla presenza di sostanze potenzialmente pericolose.



**Il simbolo del bidone barrato è riportato su tutti i prodotti per ricordarlo.**

I rifiuti possono essere conferiti agli appositi centri di raccolta, oppure possono essere consegnati gratuitamente al distributore dove è stata acquistata l'apparecchiatura all'atto di acquisto di una nuova equivalente o senza obbligo di un acquisto nuovo per le apparecchiature di dimensioni minori di 25cm.

Per ulteriori informazioni sulla corretta dismissione di questi apparecchi ci si può rivolgere al servizio pubblico preposto.

## 11 Risoluzione dei problemi



Per qualunque problematica non descritta o se i problemi elencati di seguito dovessero persistere, contattare l'assistenza tecnica di VIDEOTEC o un centro di assistenza autorizzato.

Quando viene contattato il servizio tecnico di VIDEOTEC è necessario fornire il numero di serie unitamente al codice di identificazione del modello.

### PROBLEMA

CAUSA

SOLUZIONE

### Il prodotto non si accende.

Errato cablaggio, rottura dei fusibili.

Verificare la corretta esecuzione delle connessioni. Verificare la continuità dei fusibili e, in caso di guasto, sostituirli con i modelli indicati.



## 12 Dati tecnici

### 12.1 Meccanica

Materiale: Policarbonato

Punti di fissaggio: 6, diametro 8.4mm

Dimensioni esterne (WxHxL): 368.3x195.4x285.5mm

Pressacavi non forniti con il prodotto

Splice tray per l'alloggiamento delle fibre ottiche incluso nel prodotto

Peso unitario: 6.6kg

### 12.2 Elettrico

COMB supporta esclusivamente i prodotti VIDEOTECH a 24Vac.

Tensioni d'ingresso disponibili:

- da 220Vac fino a 230Vac  $\pm 10\%$ , 50/60Hz
- 24Vac  $\pm 10\%$ , 50/60Hz
- da 120Vac fino a 127Vac  $\pm 10\%$ , 50/60Hz

Tensione di uscita: 24Vac, 50/60Hz, 200VA (120VA max UL 62368-1)

Possibili configurazioni d'impianto:

- Una telecamera PTZ VIDEOTECH con o senza il relativo impianto di lavaggio VIDEOTECH.
- Una o due telecamere fisse VIDEOTECH con o senza i relativi impianti di lavaggio VIDEOTECH.
- Una telecamera fissa VIDEOTECH e una telecamera PTZ VIDEOTECH senza impianti di lavaggio.

### 12.3 Rete

Switch Ethernet 4 canali:

3 porte RJ45

- Connessione Ethernet: 10BASE-T/100BASE-T

1 porta SFP (SMALL FORM FACTOR PLUGGABLE)

- Connessione Ethernet: 100BASE-FX
- Tensione di alimentazione: 3.3V
- Standard: conforme MSA

Il modulo SFP (non fornito da VIDEOTECH) deve rispettare i seguenti requisiti:

- Laser: Class 1, conforme a EN60825-1
- Certificazione UL/IEC 60950-1 o UL/IEC 62368-1

### 12.4 Video analogico

2 bypass per segnali video analogici con connettori BNC

### 12.5 Interfaccia I/O

2 bypass per segnali I/O con connettori multipolari

### 12.6 Ambiente

Installazione per interni ed esterni

Temperatura di esercizio: da -40°C fino a +70°C

Umidità relativa: da 5% fino a 95%

### 12.7 Certificazioni

Sicurezza elettrica (CE): EN60950-1, IEC60950-1, EN62368-1, IEC62368-1

Compatibilità elettromagnetica (CE): EN50130-4, EN55032 (Classe A), EN61000-6-4, EN61000-3-2, EN61000-3-3

RoHS (CE): EN50581

Installazione all'esterno (CE): EN60950-22, IEC60950-22

Test vibrazioni: EN50130-5, EN60068-2-6

Certificazione UL (UL60950-1, CAN/CSA C22.2 No. 60950-1-07, UL62368-1, CAN/CSA C22.2 No. 62368-1-14): cULus Listed

Compatibilità elettromagnetica (Nord America): FCC part 15 (Classe A), ICES-003 (Classe A)

Grado di protezione IP (EN/IEC60529): IP66, IP67, IP68, IP69

Grado di protezione IK: IK10

Grado di protezione Type (UL50E): 4X, 6P

Certificazione EAC

Certificazione KC (Solo il codice COMB100A)

### 12.8 Certificazioni - Applicazioni ferroviarie

Conformità alla norma per le applicazioni ferroviarie: EN50121-4 (il prodotto necessita di filtro accessorio SURGEPR)

## 12.9 Certificazioni - Applicazioni marine

Certificazione Lloyd's Register Marine Type Approval:  
Test Specification Number 1 (ENV1, ENV2, ENV3,  
ENV5)

Compatibilità elettromagnetica: EN60945

Resistenza alla nebbia salina: EN60068-2-52

## 13 Disegni tecnici

 Le misure indicate sono espresse in millimetri.

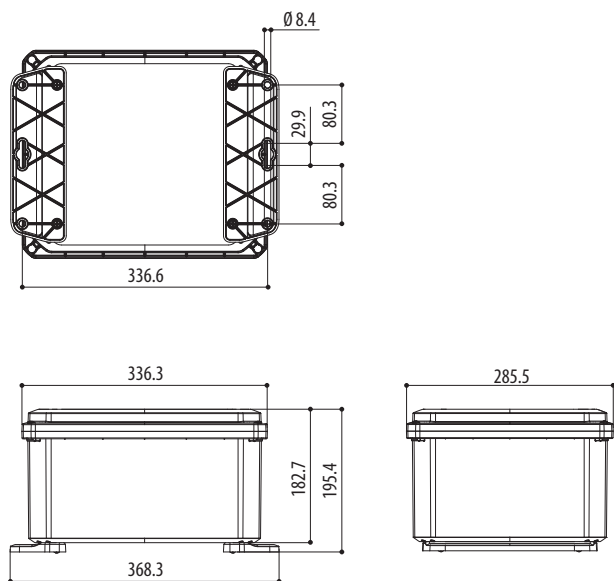


Fig. 19 COMB.

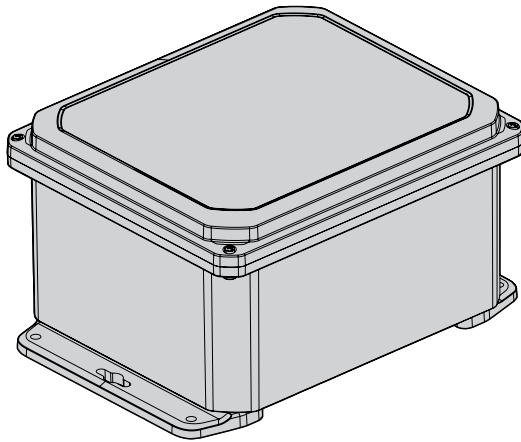


**Headquarters Italy** VIDEOTEC S.r.l.  
Via Friuli, 6 - I-36015 Schio (VI) - Italy  
Tel. +39 0445 697411 - Fax +39 0445 697414  
Email: [info@videotec.com](mailto:info@videotec.com)  
[www.videotec.com](http://www.videotec.com)



# COMB

Boîtier de communication en polycarbonate





<b>1 À propos de ce mode d'emploi.....</b>	<b>5</b>
1.1 Conventions typographiques.....	5
<b>2 Notes sur le copyright et informations sur les marques de commerce.....</b>	<b>5</b>
<b>3 Normes de sécurité .....</b>	<b>5</b>
<b>4 Identification .....</b>	<b>8</b>
4.1 Description et désignation du produit.....	8
4.2 Vue d'ensemble du produit.....	9
4.3 Champ d'utilisation .....	9
4.4 Étiquette de marquage du produit.....	9
4.4.1 Contrôle du marquage.....	9
4.5 Identification du modèle .....	9
<b>5 Préparation du produit en vue de l'utilisation.....</b>	<b>10</b>
5.1 Déballage .....	10
5.2 Contenu .....	10
5.3 Élimination sans danger des matériaux d'emballage .....	10
5.4 Ouverture du produit .....	10
5.5 Entrée câbles.....	11
5.6 Montage des brides de fixation.....	12
5.7 Fermeture du produit.....	12
<b>6 Installation .....</b>	<b>13</b>
6.1 Connexion des câbles.....	13
6.1.1 Description de la carte de connexion.....	13
6.1.2 Branchement de la ligne d'alimentation principale .....	14
6.1.3 Branchement des produits à la ligne d'alimentation 24Vac .....	14
6.1.4 Connecteurs multipolaires (relais, alarmes, ligne sérielle) .....	14
6.1.5 Connecteurs BNC (vidéo analogique) .....	14
6.1.6 Connecteurs pour le système de lavage (WASNX).....	15
6.1.7 Connecteurs pour le système de lavage (WASPT).....	15
6.1.8 Description de la carte switch .....	16
6.1.9 Branchement des câbles Ethernet .....	16
6.1.10 Utilisation du plateau d'épissures .....	16
<b>7 Allumage.....</b>	<b>17</b>
<b>8 Entretien .....</b>	<b>18</b>
8.1 Remplacement des fusibles .....	18
<b>9 Nettoyage .....</b>	<b>18</b>
<b>10 Informations sur l'élimination et le recyclage.....</b>	<b>18</b>
<b>11 Dépannage.....</b>	<b>18</b>
<b>12 Données techniques .....</b>	<b>19</b>
12.1 Mécanique.....	19
12.2 Électrique.....	19

12.3 Réseau .....	19
12.4 Vidéo analogique.....	19
12.5 Interface I/O .....	19
12.6 Environnement .....	19
12.7 Certifications.....	19
12.8 Certifications - Applications ferroviaires .....	19
12.9 Certifications - Applications marines.....	20
<b>13 Dessins techniques.....</b>	<b>20</b>

# 1 À propos de ce mode d'emploi

Avant d'installer et d'utiliser ce produit, lire attentivement toute la documentation fournie. Garder le manuel à portée de main pour des consultations successives.

## 1.1 Conventions typographiques



**DANGER!**  
**Risque élevé.**  
**Risque de choc électrique. Sauf indication contraire, sectionner l'alimentation avant de procéder à toute opération.**



**ATTENTION!**  
**Risque moyen.**  
**Opération extrêmement importante en vue d'un fonctionnement correct du système. Lire avec attention les opérations indiquées et s'y conformer rigoureusement.**



**REMARQUE**  
**Description des caractéristiques du système.**  
**Il est conseillé de procéder à une lecture attentive pour une meilleure compréhension des phases suivantes.**

## 2 Notes sur le copyright et informations sur les marques de commerce

Les noms de produit ou de sociétés cités sont des marques de commerce ou des marques de commerce enregistrées.

## 3 Normes de sécurité



**DANGER!**  
**Risque élevé.**  
**Risque de choc électrique. Sauf indication contraire, sectionner l'alimentation avant de procéder à toute opération.**

- Sectionner l'alimentation avant de procéder à toute opération.
- L'installation électrique doit être équipée d'un sectionneur de réseau facile à reconnaître et à utiliser en cas de nécessité.
- Ne pas utiliser de câbles usés ou endommagés.
- Le circuit électrique auquel l'unité est reliée doit être équipé d'un interrupteur de protection bipolaire automatique de 16A max (20A max pour l'Amérique du Nord). La distance minimale entre les de l'interrupteur de protection contacts doit être de 3mm. L'interrupteur doit être équipé de protection contre le courant de défaut vers la terre (différentiel) et le surintensité (magnétothermique).
- Le dispositif n'est pas prévu pour un usage en lieux susceptibles d'accueillir des enfants.

**ATTENTION!****Risque moyen.****Opération extrêmement importante en vue d'un fonctionnement correct du système. Lire avec attention les opérations indiquées et s'y conformer rigoureusement.**

- Avant d'alimenter l'appareil, s'assurer qu'il est solidement fixé.
  - Toute modification non approuvée expressément par le fabricant entraînera l'annulation de la garantie.
  - Pour les interventions de l'assistance techniques, s'adresser exclusivement à du personnel technique agréé.
  - Il faut respecter les législations nationales pour l'installation du dispositif.
  - Le produit peut être installé en toute position.
  - Isolez électriquement tous les fils non raccordés.
  - Le fabricant décline toute responsabilité en cas de dommage, de tous les appareils mentionnés dans ce manuel, dérivant d'une manipulation, de l'utilisation de pièces détachées non originales, d'installation, de manutention ou d'entretien effectué par un personnel non qualifié.
  - Ce produit appartient à la Classe A. Dans un milieu résidentiel ce produit peut être la cause de radioperturbations. Dans ce cas il est préférable de prendre des mesures appropriées.
- Tous les presse-étoupes, ou autres systèmes d'entrée des câbles, doivent être certifiés UL afin de maintenir la certification, en tout cas adaptés au degré d'étanchéité à conserver.
  - En cas de dommages, le remplacement ou la réparation des parties concernées doit être effectuée par VIDEOTEC ou sous sa surveillance.
  - Tout remplacement des pièces indiquées doit être effectué en utilisant uniquement des pièces de rechange originales VIDEOTEC, en suivant scrupuleusement les instructions d'entretien annexées avec chaque kit de rechange.
  - Utilisez des moyens de protection individuels adéquats lors de l'installation.
  - Ne procéder sous aucun prétexte à des modifications ou des connexions non prévues dans ce manuel. L'utilisation d'appareils non adéquats peut comporter des dangers graves pour la sécurité du personnel et de l'installation.
  - Utiliser uniquement des pièces de rechange d'origine. Les pièces non d'origine peuvent être source d'incendies, de choc électrique ou autres.
  - Raccorder le système à une source d'alimentation conforme à celle figurant sur l'étiquette de marquage du produit. Avant de procéder à l'installation, vérifier que la ligne électrique est sectionnée.



**REMARQUE****Description des caractéristiques du système.**

**Il est conseillé de procéder à une lecture attentive pour une meilleure compréhension des phases suivantes.**

- Il n'y a pas d'instructions particulières concernant la manutention. Il est donc conseillé au personnel préposé d'effectuer cette opération en respectant les normes communes de prévention des accidents.
- S'assurer d'avoir pris toutes les précautions de sécurité concernant la protection du personnel.
- Avant de procéder à l'installation, contrôler que le matériel fourni correspond à la commande et examiner les étiquettes de marquage (4.4 Étiquette de marquage du produit, page 9).
- Les matériels sont destinés à être installés dans des EMPLACEMENTS À ACCÈS RESTREINT de la part d'un personnel technique spécialisé.
- Etant donné que l'utilisateur est responsable du choix de la surface de fixation, le fabricant ne fournit pas dans la livraison les dispositifs de fixation de l'unité à la surface. L'installateur est responsable de choisir des dispositifs adaptés à la surface à disposition. Il est conseillé d'utiliser des méthodes et des matériaux en mesure de supporter un poids au moins 4 fois supérieur à celui de l'appareil.
- La catégorie d'installation (ou catégorie de surtension) spécifie les niveaux de la tension de secteur correspondant à l'appareil. La catégorie dépend du lieu d'installation et du dispositif de protection contre les surtensions installé. En cas d'environnement industriel directement connecté aux circuits de dérivation du système d'alimentation, l'équipement est classé dans la catégorie d'installation III. Dans ce cas, un déclassement à la catégorie II est nécessaire. Peut être obtenu au moyen d'un transformateur d'isolement avec blindage électrostatique entre le primaire et le secondaire ou en utilisant des dispositifs de protection contre les surtensions (SPD), UL listed, entre la phase et le neutre et entre le neutre et la terre. Les dispositifs SPD UL cités doivent être prévus pour limiter les surtensions transitoires en mode répétitif et pour les conditions nominales de fonctionnement suivantes: Type 2 (dispositifs SPD reliés en permanence au côté charge du côté du dispositif de protection contre les surintensités) ; courant nominal de décharge (In) 20kA min. Exemples d'utilisation possible: FERRAZ SHAWMUT, ST23401PG-CN, ST240SPG-CN spécifiés pour 120Vac/240Vca, (In=20kA). La distance maximale entre installation et réduction est de 5m.
- Pour être conforme aux règlements sur les chutes et les coupures de tension d'alimentation, veuillez utiliser un onduleur (UPS) approprié pour alimenter l'appareil.
- Le fabricant décline toute responsabilité pour les dommages éventuels dus à une utilisation non appropriée des appareils mentionnés dans ce manuel. On réserve en outre le droit d'en modifier le contenu sans préavis. La documentation contenue dans ce manuel a été rassemblée et vérifiée avec le plus grand soin. Le fabricant, cependant, ne peut assumer aucune responsabilité dérivant de l'emploi de celle là. La même chose vaut pour chaque personne ou société impliquées dans la création et la production de ce manuel.

## 4 Identification

### 4.1 Description et désignation du produit

COMB est un boîtier de communication avec tout le nécessaire pour connecter une ou plusieurs caméras IP ou analogiques et le système de lavage correspondant.

COMB fournit une alimentation locale à basse tension. Il permet également une connexion Fast Ethernet, grâce au switch Ethernet intégré à trois ports RJ45 et un port SFP pour la connexion par fibre optique. La carte intérieure présente de plus un double bypass des signaux vidéo analogiques et un double bypass pour les signaux E/S avec connecteurs multipolaires. Les espaces internes sont étudiés pour faciliter l'accès des câbles et faciliter toutes les opérations de connexion.

Le fonctionnement de COMB est garanti pour les configurations d'installation suivantes:

- Une caméra PTZ VIDEOTEC avec ou sans système de lavage VIDEOTEC correspondante.

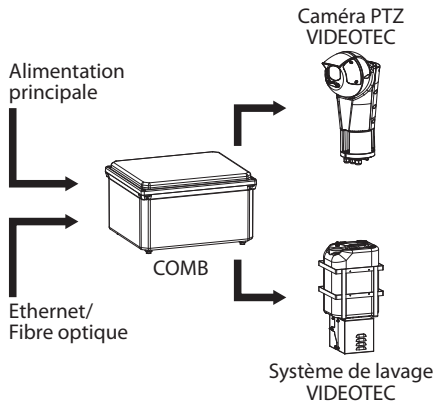


Fig. 1

- Une ou deux caméras fixes VIDEOTEC avec ou sans systèmes de lavage correspondantes VIDEOTEC.

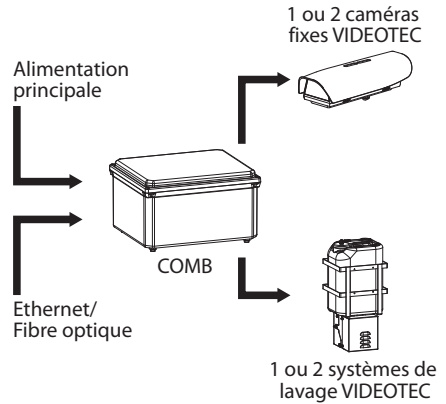


Fig. 2

- Une caméra PTZ VIDEOTEC et une caméra fixe VIDEOTEC sans système de lavage.

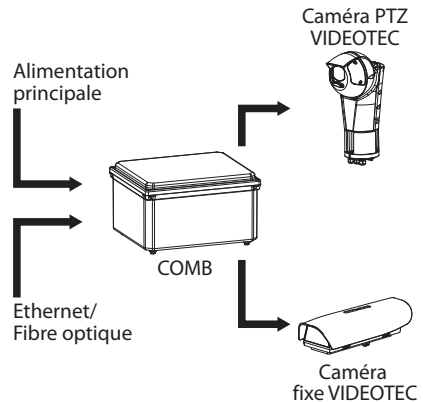


Fig. 3

## 4.2 Vue d'ensemble du produit

Les principaux composants du produit sont décrits ci-dessous:

1. Boîtier.
2. Couvercle.
3. Brides de fixation.

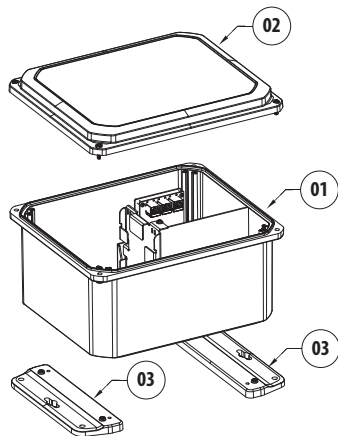


Fig. 4

## 4.3 Champ d'utilisation

Température de fonctionnement: de -40°C jusqu'à +70°C.

## 4.4 Étiquette de marquage du produit

Voir l'étiquette positionné sur le produit.

### 4.4.1 Contrôle du marquage

Avant de procéder à l'installation, contrôler que le matériel fourni correspond à la commande et examiner les étiquettes de marquage.

Ne procéder sous aucun prétexte à des modifications ou des connexions non prévues dans ce manuel. L'utilisation d'appareils non adéquats peut comporter des dangers graves pour la sécurité du personnel et de l'installation.

## 4.5 Identification du modèle

COMB - CHOIX DES CONFIGURATIONS			
	Tension d'entrée		Révision
COMB	1	de 220Vac jusqu'à 230Vac	00 A
	2	24Vac	
	3	de 120Vac jusqu'à 127Vac	

Tab. 1.

## 5 Préparation du produit en vue de l'utilisation

### 5.1 Déballage

Lors de la livraison du produit, vérifier que l'emballage est en bon état et l'absence de tout signe évident de chute ou d'abrasion.

En cas de dommages évidents, contacter immédiatement le fournisseur.

En cas de retour du produit défectueux, il est conseillé d'utiliser l'emballage original pour le transport.

Conserver l'emballage en cas de nécessité d'expédition du produit pour réparation.

### 5.2 Contenu

Contrôler que le contenu correspond à la liste matériel indiquée ci-dessous:

- Boîtier de communication
- Manuels d'instructions
- Brides de fixation
- Colliers (3)
- Vis

### 5.3 Élimination sans danger des matériaux d'emballage

Le matériel d'emballage est entièrement composé de matériaux recyclables. Le technicien chargé de l'installation est tenu de l'éliminer conformément aux dispositions en matière de collecte sélective et selon les normes en vigueur dans le pays d'utilisation.

## 5.4 Ouverture du produit



**Durant les opérations d'ouverture et de fermeture du produit, faire attention de ne pas endommager le joint du couvercle.**

Dévisser les 4 vis et enlever le couvercle.

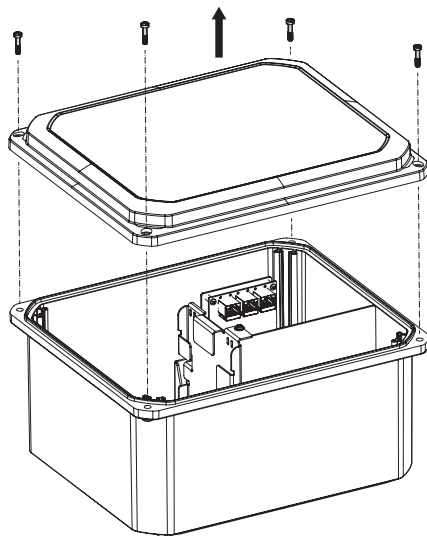


Fig. 5

## 5.5 Entrée câbles

**⚠** Pour maintenir le degré de protection IP du produit, utiliser des presse-étoupes à degré IP adéquat.

**⚠** Pour conserver la certification UL les presse-étoupes utilisés doivent être certifiés UL.

**⚠** Tous les presse-étoupes doivent être adaptés aux conditions d'utilisation et installés correctement.

Le produit est fourni sans perçages. Il est conseillé de percer le boîtiers sur le côté court indiqué en figure ( Fig. 6, page 11).

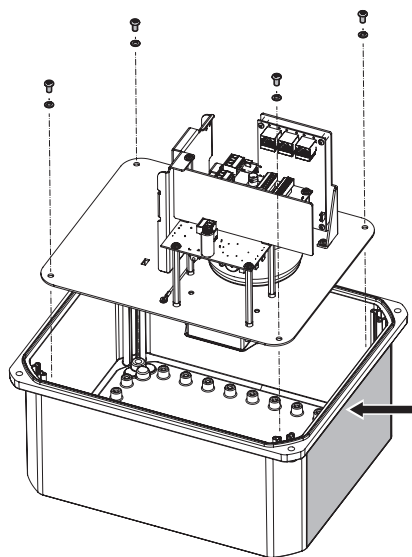


Fig. 6

Avant de percer le boîtier, enlever le bloc intérieur (01) composé d'une plaque de support, d'une carte connecteurs, d'une carte switch, d'un transformateur et d'un plateau à épissures.

Pour enlever le bloc intérieur (01), dévisser les quatre vis de fixation (02).

Saisir la plaque de division (03), soulever le bloc intérieur (01) et le sortir du boîtier (04) (Fig. 7, page 11 et Fig. 8, page 11).

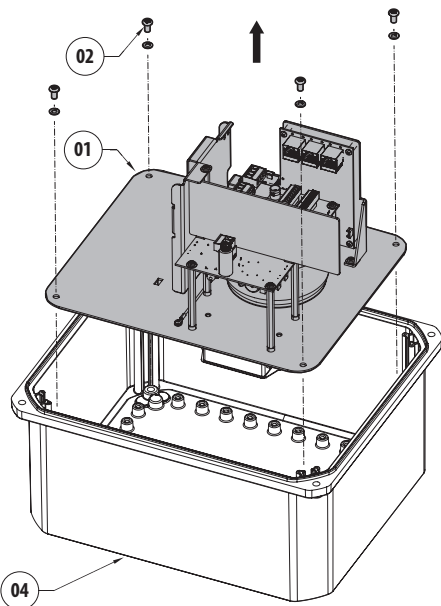


Fig. 7

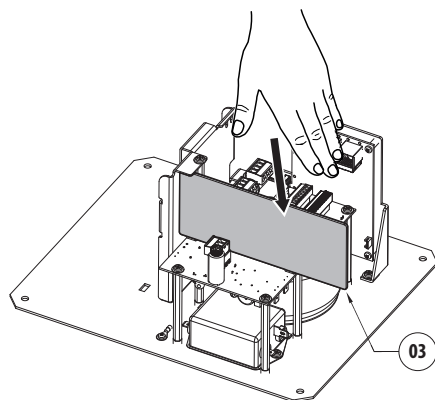


Fig. 8

Dans les dernières pages de ce manuel figurent deux exemples de gabarits pour un perçage correct (DRILLING TEMPLATE - A, DRILLING TEMPLATE - B).

En fonction de la configuration souhaitée, il est conseillé d'utiliser l'un des gabarit de perçages figurant dans le manuel.

**! Pour raccorder un produit de la catégorie NXPTZ ou NXPTZ SERIES2 au COMB, un perçage de 32mm diamètre doit être effectué sur le boîtier.**

Après avoir effectué le perçage souhaité, monter les presse-étoupes (non fournis) et en saisissant la plaque de division de la carte (03), réinsérer le bloc intérieur (01) dans le boîtier (04). Fixer la plaque de support du bloc intérieur (01) avec les vis précédemment enlevées (02) (Fig. 9, page 12).

**! Faire attention pendant la fixation. Couple de serrage: 2Nm.**

**Ne pas appliquer de frein filet.**

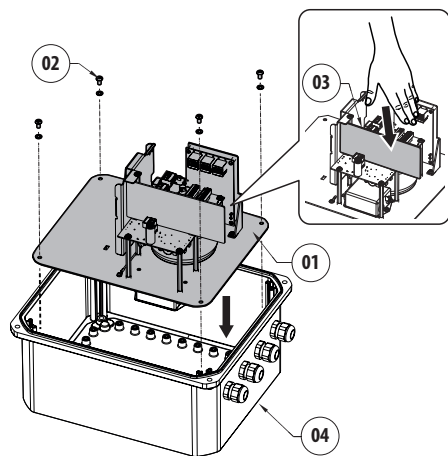


Fig. 9

## 5.6 Montage des brides de fixation

Monter les brides de fixation de la façon illustrée en figure, au moyen des vis fournies.

**! Faire attention pendant la fixation. Couple de serrage: 2Nm.**

**Ne pas appliquer de frein filet.**

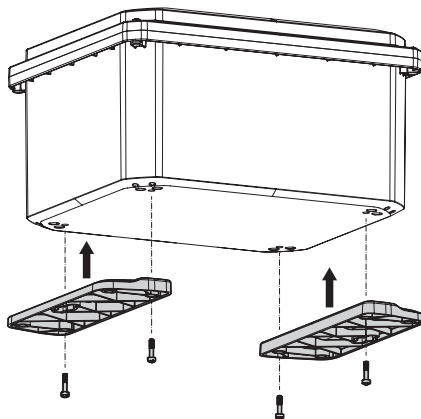


Fig. 10

## 5.7 Fermeture du produit

**! Durant les opérations d'ouverture et de fermeture du produit, faire attention de ne pas endommager le joint du couvercle.**

Vérifier l'absence de saleté ou de résidus.

Fermer le couvercle au moyen des quatre vis.

**! Faire attention pendant la fixation. Couple de serrage des vis: 1.3Nm.**

**Ne pas appliquer de frein filet.**

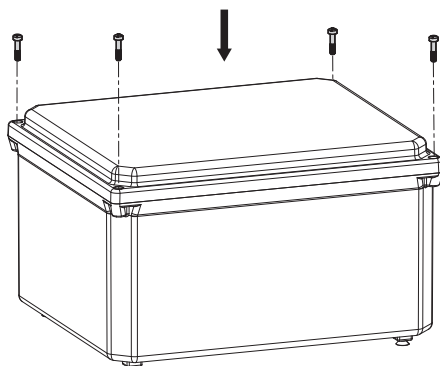


Fig. 11

# 6 Installation

**⚠ Avant d'installer le produit, retirez le film protecteur bleu transparent du couvercle.**

## 6.1 Connexion des câbles

Une fois le couvercle enlevé, on accède à une carte de connecteurs amovibles et à une carte switch avec trois connecteurs RJ45 et une fente SFP.

### 6.1.1 Description de la carte de connexion

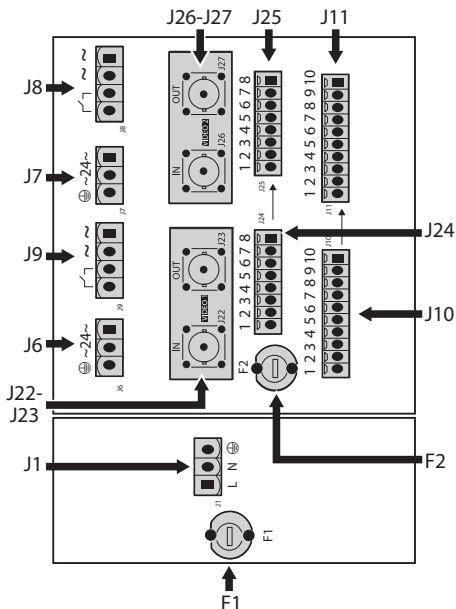


Fig. 12

DESCRIPTION DE LA CARTE		
Con-necteur	Fonction	Bornes - Section nominale des câbles utilisés
J1	Ligne d'alimentation principale	de 0.2mm <sup>2</sup> (24AWG) jusqu'à 2.5mm <sup>2</sup> (13AWG)
F1	Fusible de l'alimentation principale	-
J6	Sortie de l'alimentation 24Vac	de 0.2mm <sup>2</sup> (24AWG) jusqu'à 2.5mm <sup>2</sup> (13AWG)
J7	Sortie de l'alimentation 24Vac	de 0.2mm <sup>2</sup> (24AWG) jusqu'à 2.5mm <sup>2</sup> (13AWG)
J8	Sortie 24Vac, pour installation de lavage et entrée relais de commande de caméra VIDEOTEC	de 0.2mm <sup>2</sup> (24AWG) jusqu'à 2.5mm <sup>2</sup> (13AWG)
J9	Sortie 24Vac, pour installation de lavage et entrée relais de commande de caméra VIDEOTEC	de 0.2mm <sup>2</sup> (24AWG) jusqu'à 2.5mm <sup>2</sup> (13AWG)
J22	BNC (Vidéo 1) IN	-
J23	BNC (Vidéo 1) OUT	-
J26	BNC (Vidéo 2) IN	-
J27	BNC (Vidéo 2) OUT	-
F2	Fusible de la sortie de l'alimentation 24Vac	-
J24	Connecteur 8 pôles IN (les contacts du connecteur J24 correspondent aux contacts du connecteur J25)	de 0.2mm <sup>2</sup> (24AWG) jusqu'à 1.0mm <sup>2</sup> (17AWG)
J25	Connecteur 8 pôles OUT (les contacts du connecteur J24 correspondent aux contacts du connecteur J25)	de 0.2mm <sup>2</sup> (24AWG) jusqu'à 1.0mm <sup>2</sup> (17AWG)
J10	Connecteur 10 pôles IN (les contacts du connecteur J10 correspondent aux contacts du connecteur J11)	de 0.2mm <sup>2</sup> (24AWG) jusqu'à 1.0mm <sup>2</sup> (17AWG)
J11	Connecteur 10 pôles OUT (les contacts du connecteur J10 correspondent aux contacts du connecteur J11)	de 0.2mm <sup>2</sup> (24AWG) jusqu'à 1.0mm <sup>2</sup> (17AWG)

Tab. 2

**⚠ Longueur de dénudage des conducteurs: 5mm.**

## 6.1.2 Branchement de la ligne d'alimentation principale



**ATTENTION! L'installation est du type TNV-1. Ne pas la connecter à des circuits SELV.**

Selon la version, différentes tensions d'alimentation peuvent être fournies au dispositif. La valeur de tension d'alimentation est reportée sur l'étiquette d'identification du produit (4.4 Étiquette de marquage du produit, page 9).

Brancher les câbles d'alimentation au connecteur J1, en respectant les indications sur la sérigraphie.

Brancher un câble de terre de protection au connecteur J1, en respectant les indications sur la sérigraphie (6.1.1 Description de la carte de connexion, page 13).

CONNEXION DE LA LIGNE D'ALIMENTATION	
Couleur	Contact de la borne
<b>Alimentation de 220Vac jusqu'à 230Vac</b>	
Bleue	N (Neutre)
Marron	L (Phase)
Jaune/Vert	⊕
<b>Alimentation 24Vac</b>	
Défini par l'installateur	N (Neutre)
Défini par l'installateur	L (Phase)
Jaune/Vert	⊕
<b>Alimentation de 120Vac jusqu'à 127Vac</b>	
Bleue	N (Neutre)
Marron	L (Phase)
Jaune/Vert	⊕

Tab. 3

## 6.1.3 Branchement des produits à la ligne d'alimentation 24Vac

Brancher les câbles d'alimentation 24Vac des dispositifs (PTZ ou caméra fixe) aux connecteurs J6 et J7. (6.1.1 Description de la carte de connexion, page 13).

BRANCHEMENT DE LA LIGNE D'ALIMENTATION DE SORTIE 24VAC	
Couleur	Contact de la borne
<b>Alimentation 24Vac</b>	
Défini par l'installateur	~
Défini par l'installateur	~
Jaune/Vert	⊕

Tab. 4

## 6.1.4 Connecteurs multipolaires (relais, alarmes, ligne série)

Consulter les manuels d'installation des dispositifs à brancher pour les spécifications sur les relais et alarmes. Utiliser les connecteurs multipolaires, sur la carte de connecteurs, pour transférer les signaux des dispositifs de l'installation principale en considérant que les contacts du connecteur J24 correspondent aux contacts du connecteur J25 et que les contacts du connecteur J10 correspondent aux contacts du connecteur J11 (6.1.1 Description de la carte de connexion, page 13).

## 6.1.5 Connecteurs BNC (vidéo analogique)

Consulter les manuels d'installation des dispositifs à brancher pour les spécifications sur les signaux vidéos analogiques. Utiliser les connecteurs BNC sur la carte de connecteurs pour transférer les signaux des dispositifs au système principal en considérant que le connecteur J22 réplique J23 et que J26 réplique J27 (6.1.1 Description de la carte de connexion, page 13).



## 6.1.6 Connecteurs pour le système de lavage (WASNX)

Consultez le manuel d'installation du système de lavage pour les spécifications pertinentes. Brancher les contacts du relais de commande de la PTZ ou des caméras fixes VIDEOTECH et les câbles d'alimentation (24Vac) de l'installation de lavage en suivant le schéma qui se trouve au bas (Fig. 13, page 15).

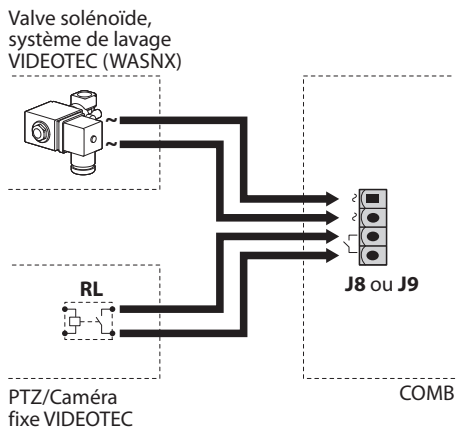


Fig. 13

## 6.1.7 Connecteurs pour le système de lavage (WASPT)

Consultez le manuel d'installation du système de lavage pour les spécifications pertinentes. Brancher les contacts du relais de commande de la PTZ ou des caméras fixes VIDEOTECH et les câbles d'alimentation (24Vac) de l'installation de lavage en suivant le schéma qui se trouve au bas (Fig. 14, page 15).

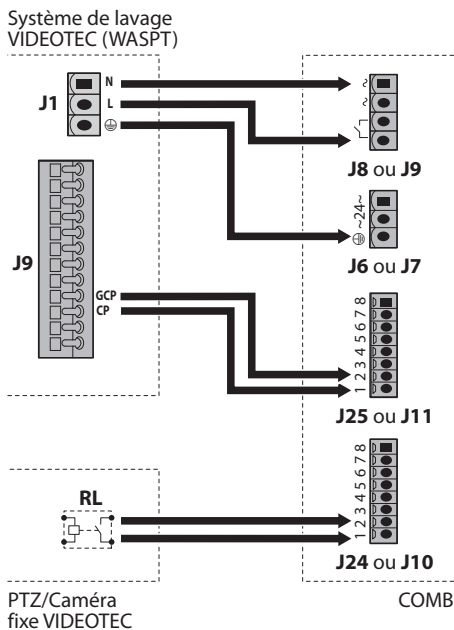


Fig. 14

## 6.1.8 Description de la carte switch

### DESCRIPTION DE LA CARTE SWITCH

Connecteur	Fonction
J1	RJ45 Connecteur Ethernet
J3	RJ45 Connecteur Ethernet
J5	RJ45 Connecteur Ethernet
J2	Connecteur SFP

Tab. 5

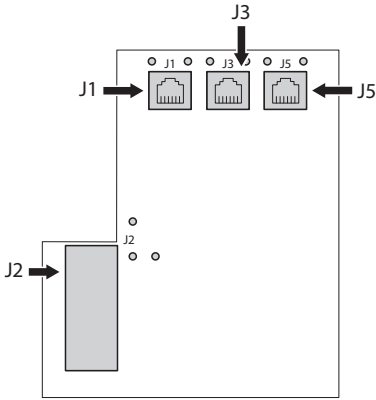


Fig. 15

Le fonctionnement des connecteurs RJ45 est signalé par les deux LED correspondantes :

- LED jaune : LED allumée, indique que la connexion est activée.
- LED verte : LED allumée, indique que la vitesse de connexion est 100Mbps ; LED éteinte, indique que la vitesse de connexion est 10Mbps.

Le fonctionnement du connecteur SFP est signalé par les trois LED correspondantes :

- LED jaune : LED allumée, indique que le connecteur est activé.
- LED rouge : allumée, elle indique que le signal de la fibre optique est capté ;
- LED verte : LED allumée, indique que la vitesse de connexion est 100Mbps.

## 6.1.9 Branchement des câbles Ethernet

Les dispositifs à brancher au réseau peuvent être raccordés indifféremment aux ports RJ45 et/ou au module SFP.

La carte switch peut gérer jusqu'à 3 ports RJ45 et est munie d'un slot pour modules SFP.

Brancher les câbles Ethernet aux ports RJ45, aux connecteurs J1, J3, J5. Insérer le module SFP (non fourni) dans le Slot J2 de la carte switch (6.1.8 Description de la carte switch, page 16).

Consulter le manuel du module SFP pour les spécificités correspondantes.

**i** **VIDEOTEC a testé diverses typologies de modules SFP. Pour toute information supplémentaire contacter le centre d'assistance VIDEOTEC.**

Consulter les manuels d'installation des dispositifs à brancher pour les spécifications du câble de réseau Ethernet.

## 6.1.10 Utilisation du plateau d'épissures

COMB est équipée d'un plateau d'épissures pour le logement des fibres optiques.

Enlever les vis (01) et extraire le plateau d'épissures (02) (Fig. 16, page 16).

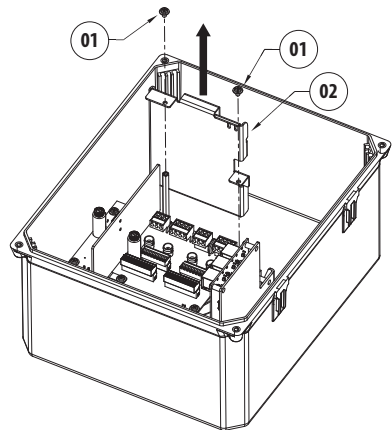


Fig. 16

Disposer les fibres optiques de la façon indiquée en figure, utiliser les colliers en nylon fournis pour les fixer (Fig. 17, page 17).

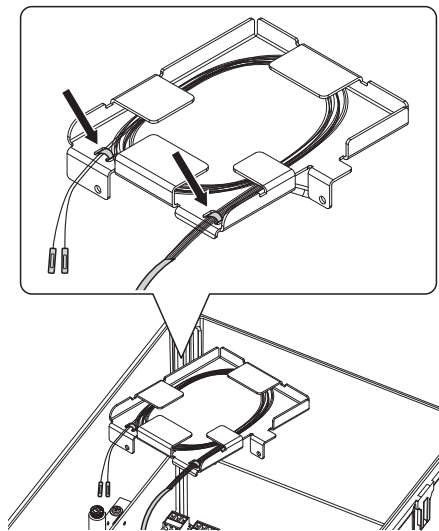


Fig. 17

Positionner le plateau d'épissures et le fixer avec les vis précédemment ôtées (Fig. 18, page 17).

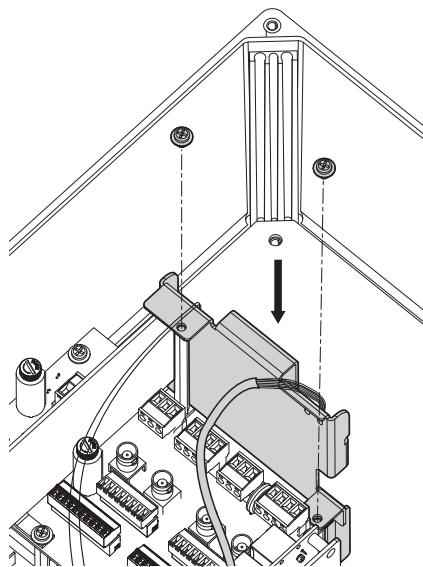


Fig. 18

**⚠ Appliquer un produit de freinage du filetage dans vis de fixation (Loctite 243®).**

**⚠ Faire attention pendant la fixation. Couple de serrage des vis: 1.6Nm.**

## 7 Allumage

Il suffit de brancher l'alimentation électrique pour allumer l'unité.

Débrancher l'alimentation électrique pour éteindre l'unité.

## 8 Entretien

### 8.1 Remplacement des fusibles



**ATTENTION! Pour assurer la protection contre le risque d'incendie, remplacer les fusibles avec le même type et valeur. Les fusibles doivent être remplacés seulement par un personnel qualifié.**

En cas de besoin, on peut remplacer les fusibles de la carte connecteurs (6.1.1 Description de la carte de connexion, page 13). Les nouveaux fusibles devraient respecter les indications fournies dans le tableau.

REMPACEMENT DES FUSIBLES		
Tension d'alimentation	Fusible (F1)	Fusible (F2)
de 220Vac jusqu'à 230Vac, 50/60Hz	T 4A H 250V 5x20	T 8A H 250V 5x20
24Vac, 50/60Hz	T 8A H 250V 5x20	T 8A H 250V 5x20
de 120Vac jusqu'à 127Vac, 50/60Hz	T 4A H 250V 5x20	T 8A H 250V 5x20

Tab. 6

## 9 Nettoyage



**La fréquence des interventions dépend du type d'environnement dans lequel le caisson est utilisé.**



**On doit éviter alcool éthylique, solvants, hydrocarbures hydro-génés, acides forts et alcali. L'emploi de ce type de produits abîme d'une façon irréparable la surface traitée.**

Le nettoyage doit être fait avec du savon neutre dilué avec de l'eau.

## 10 Informations sur l'élimination et le recyclage

La Directive Européenne 2012/19/UE sur les déchets d'équipements électriques et électroniques (DEEE) exige que ces dispositifs ne doivent pas être éliminés dans le flux normal de déchets solides municipaux, mais ils doivent être collectés séparément afin d'optimiser le flux de récupération et de recyclage des matériaux qu'ils contiennent et pour réduire l'impact sur la santé humaine et l'environnement en raison de la présence de substances potentiellement dangereuses.



**Le symbole de la poubelle sur roues barrée d'une croix figure sur tous les produits pour le rappeler.**

Les déchets peuvent être livrés aux centres de collecte appropriés ou peuvent être livrés gratuitement au distributeur où vous avez acheté l'équipement, au moment de l'achat d'un nouvel dispositif équivalent ou sans obligation d'achat pour un équipement de taille inférieure de 25cm.

Pour plus d'informations sur l'élimination correcte de ces dispositifs, vous pouvez contacter le service public responsable.

## 11 Dépannage



**Pour toute problématique non décrite ou si les problèmes énumérés ci-après persistent, contactez le service technique VIDEOTEC ou un centre d'assistance agréé.**

Lorsque vous contactez le service technique de VIDEOTEC, il est nécessaire de fournir le numéro de série et le code d'identification du modèle.

### PROBLÈME

CAUSE

SOLUTION

**Le produit ne s'allume pas.**

Câblage incorrect, rupture des fusibles.

Vérifier les connexions. Vérifier la continuité des fusibles et les remplacer avec les modèles indiqués en cas de panne.

## 12 Données techniques

### 12.1 Mécanique

Matériau: Polycarbonate

Points de fixation: 6, diamètre 8.4mm

Dimensions extérieures (WxHxL):  
368.3x195.4x285.5mm

Presse-étoupes non fournis avec le produit

Plateau d'épissure pour accueillir les fibres optiques incluses dans le produit

Poids net: 6.6kg

### 12.2 Électrique

COMB supporte exclusivement les produits VIDEOTECH à 24Vac.

Tensions d'entrée disponibles:

- de 220Vac jusqu'à 230Vac  $\pm 10\%$ , 50/60Hz
- 24Vac  $\pm 10\%$ , 50/60Hz
- de 120Vac jusqu'à 127Vac  $\pm 10\%$ , 50/60Hz

Tension en sortie: 24Vac, 50/60Hz, 200VA (120VA max UL 62368-1)

Configurations d'installation possibles :

- Une caméra PTZ VIDEOTECH avec ou sans système de lavage VIDEOTECH correspondante.
- Une ou deux caméras fixes VIDEOTECH avec ou sans systèmes de lavage correspondantes VIDEOTECH.
- Une caméra fixe VIDEOTECH et une caméra PTZ VIDEOTECH sans systèmes de lavage.

### 12.3 Réseau

Commutateur Ethernet 4 canaux:

3 ports RJ45

- Connexion Ethernet: 10BASE-T/100BASE-T

1 port SFP (SMALL FORM FACTOR PLUGGABLE)

- Connexion Ethernet: 100BASE-FX
- Tension d'alimentation: 3.3V
- Standard: conforme MSA

Le module SFP (non fourni par VIDEOTECH) doit répondre aux exigences ci-après :

- Laser: Class 1, conforme à la norme EN60825-1
- Certification UL/IEC 60950-1 ou UL/IEC 62368-1

### 12.4 Vidéo analogique

2 bypass pour signaux vidéos analogiques avec connecteurs BNC

### 12.5 Interface I/O

2 bypass pour signaux I/O avec connecteurs multipolaires

### 12.6 Environnement

Installation d'intérieur et d'extérieur

Température de fonctionnement: de  $-40^{\circ}\text{C}$  jusqu'à  $+70^{\circ}\text{C}$

Humidité relative: de 5% jusqu'à 95%

### 12.7 Certifications

Sécurité électrique (CE): EN60950-1, IEC60950-1, EN62368-1, IEC62368-1

Compatibilité électromagnétique (CE): EN50130-4, EN55032 (Classe A), EN61000-6-4, EN61000-3-2, EN61000-3-3

RoHS (CE): EN50581

Installation à l'extérieur (CE): EN60950-22, IEC60950-22

Test des vibrations: EN50130-5, EN60068-2-6

Certification UL (UL60950-1, CAN/CSA C22.2 No. 60950-1-07, UL62368-1, CAN/CSA C22.2 No. 62368-1-14): cULus Listed

Compatibilité électromagnétique (Amérique du Nord): FCC part 15 (Classe A), ICES-003 (Classe A)

Degré de protection IP (EN/IEC60529): IP66, IP67, IP68, IP69

Degré de protection IK: IK10

Degré de protection Type (UL50E): 4X, 6P

Certification EAC

Certification KC (Uniquement pour le code COMB100A)

### 12.8 Certifications - Applications ferroviaires

Conformité à la norme pour les applications ferroviaires: EN50121-4 (le produit nécessite un filtre accessoire SURGEPR)

## 12.9 Certifications - Applications marines

Certification Lloyd's Register Marine Type Approval:  
Test Specification Number 1 (ENV1, ENV2, ENV3,  
ENV5)

Compatibilité électromagnétique: EN60945

Résistant à la brume saline: EN60068-2-52

## 13 Dessins techniques

 Les tailles indiquées sont en millimètres.

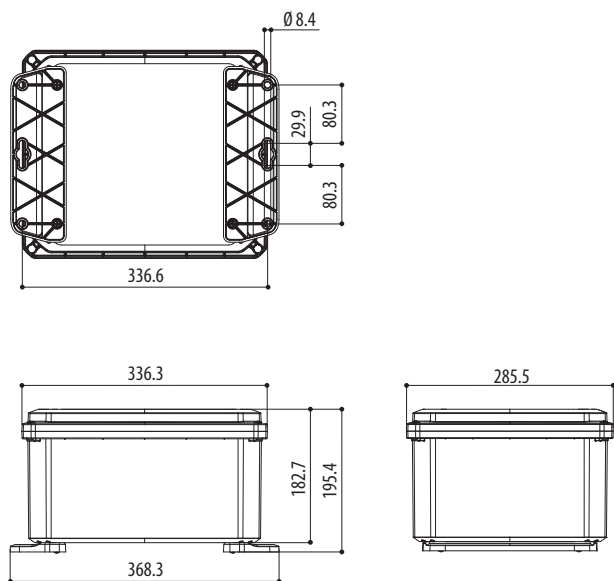


Fig. 19 COMB.

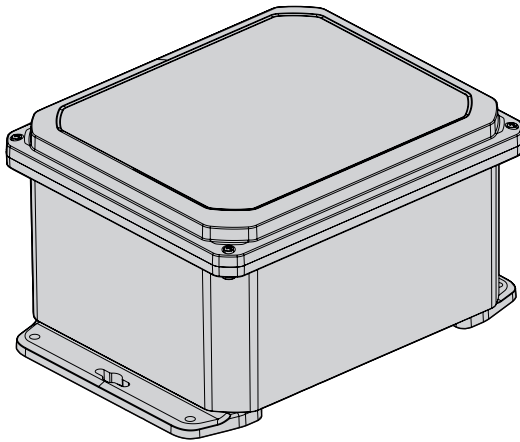


**Headquarters Italy** VIDEOTECH S.r.l.  
Via Friuli, 6 - I-36015 Schio (VI) - Italy  
Tel. +39 0445 697411 - Fax +39 0445 697414  
Email: [info@videotec.com](mailto:info@videotec.com)  
[www.videotec.com](http://www.videotec.com)



# COMB

Kommunikationsbox aus Polycarbonat







# Inhaltsverzeichnis

<b>1 Allgemeines .....</b>	<b>5</b>
1.1 Schreibweisen.....	5
<b>2 Anmerkungen zum Copyright und Informationen zu den Handelsmarken .....</b>	<b>5</b>
<b>3 Sicherheitsnormen.....</b>	<b>5</b>
<b>4 Identifizierung.....</b>	<b>8</b>
4.1 Beschreibung und Bezeichnung des Produktes.....	8
4.2 Produktübersicht .....	9
4.3 Benutzerfeld .....	9
4.4 Schildchen mit Produktkennzeichnung.....	9
4.4.1 Prüfung der Kennzeichnung.....	9
4.5 Identifizierung des Modells.....	9
<b>5 Vorbereitung des Produktes auf den Gebrauch .....</b>	<b>10</b>
5.1 Entfernen der Verpackung.....	10
5.2 Inhalt.....	10
5.3 Sichere Entsorgung der Verpackungsmaterialien .....	10
5.4 Öffnen des Produkts .....	10
5.5 Kabeleingang .....	11
5.6 Montage der Befestigungsflansche .....	12
5.7 Schließen des Produkts .....	12
<b>6 Installation .....</b>	<b>13</b>
6.1 Anschließen der Kabel.....	13
6.1.1 Beschreibung der Karte Anschlüsse .....	13
6.1.2 Anschluss der Hauptversorgungsleitung .....	14
6.1.3 Anschluss der Produkte an die 24Vac Versorgungsleitung.....	14
6.1.4 Mehradrige Steckverbinder (Relais, Alarmer, serielle Leitung).....	14
6.1.5 BNC-Steckverbinder (Video analog).....	14
6.1.6 Steckverbinder für die Waschanlage (WASN).....	15
6.1.7 Steckverbinder für die Waschanlage (WASPT).....	15
6.1.8 Bezeichnung der Switch-Platine.....	16
6.1.9 Ethernet-Kabelanschluss .....	16
6.1.10 Verwendung der Spleißkassette.....	16
<b>7 Einschaltung .....</b>	<b>17</b>
<b>8 Wartung .....</b>	<b>18</b>
8.1 Wechsel der Sicherungen .....	18
<b>9 Reinigung.....</b>	<b>18</b>
<b>10 Informationen bezüglich Entsorgung und Recycling.....</b>	<b>18</b>
<b>11 Problemlösung .....</b>	<b>18</b>
<b>12 Technische Daten .....</b>	<b>19</b>
12.1 Mechanik.....	19
12.2 Elektrik .....	19

12.3 Netzwerk.....	19
12.4 Video analog.....	19
12.5 I/O-Schnittstelle .....	19
12.6 Umgebung .....	19
12.7 Zertifizierungen.....	19
12.8 Zertifizierungen - Bahnanwendungen .....	19
12.9 Zertifizierungen - Marine-Anwendungen .....	20
<b>13 Technische Zeichnungen .....</b>	<b>20</b>

# 1 Allgemeines

Vor der Installation und Anwendung dieses Produkts ist die gesamte mitgelieferte Dokumentation aufmerksam zu lesen. Zum späteren Nachschlagen das Handbuch in Reichweite aufbewahren.

## 1.1 Schreibweisen



### GEFAHR!

**Erhöhte Gefährdung. Stromschlaggefahr. Falls nichts anderes angegeben, unterbrechen Sie die Stromversorgung, bevor die beschriebenen Arbeiten durchgeführt werden.**



### ACHTUNG!

**Mittlere Gefährdung. Der genannte Vorgang hat große Bedeutung für den einwandfreien Betrieb des Systems. Es wird gebeten, sich die Verfahrensweise durchzulesen und zu befolgen.**



### ANMERKUNG

**Beschreibung der Systemmerkmale. Eine sorgfältige Lektüre wird empfohlen, um das Verständnis der folgenden Phasen zu gewährleisten.**

## 2 Anmerkungen zum Copyright und Informationen zu den Handelsmarken

Die angeführten Produkt- oder Firmennamen sind Handelsmarken oder eingetragene Handelsmarken.

# 3 Sicherheitsnormen



### GEFAHR!

**Erhöhte Gefährdung. Stromschlaggefahr. Falls nichts anderes angegeben, unterbrechen Sie die Stromversorgung, bevor die beschriebenen Arbeiten durchgeführt werden.**

- Unterbrechen Sie die Stromversorgung, bevor die beschriebenen Arbeiten durchgeführt werden.
- Die elektrische Anlage muss mit einem Netztrennschalter versehen sein, der im Bedarfsfall sofort erkannt und gebraucht werden kann.
- Es dürfen keine Kabel mit Verschleiß- oder Alterungsspuren verwendet werden.
- Die elektrische Anlage, an der die Einheit angeschlossen ist, muss mit einem automatischen zweipoligen Schutzschalter 16A max (20A max für Nordamerika) ausgestattet sein. Zwischen den Schutzschalter Kontakten muss mindestens ein Abstand von 3mm vorhanden sein. Der Schalter muss eine Schutzeinrichtung gegen Erde Fehlerstrom (Differenzial) und gegen Überstrom haben (magnetothermisch).
- Das Gerät ist für den Gebrauch in Bereichen, an denen sich Kinder aufhalten können, nicht geeignet.

**ACHTUNG!****Mittlere Gefährdung.**

**Der genannte Vorgang hat große Bedeutung für den einwandfreien Betrieb des Systems. Es wird gebeten, sich die Verfahrensweise durchzulesen und zu befolgen.**

- Vor dem Einschalten der Stromversorgung prüfen, dass das Gerät fest verankert ist.
- Jede vom Hersteller nicht ausdrücklich genehmigte Veränderung führt zum Verfall der Gewährleistungsrechte.
- Für Kundendiensteingriffe wenden Sie sich ausschließlich an autorisiertes technisches Personal.
- Die nationalen Vorschriften für die Installation der Einrichtung sind einzuhalten.
- Das Produkt kann in jeder beliebigen Position installiert werden.
- Alle nicht angeschlossenen Drähte sind elektrisch zu isolieren.
- Der Hersteller lehnt jede Haftung für Schäden ab, die durch eigenmächtigen Zugriff, die Verwendung nicht originaler Ersatzteile sowie die Installation, Wartung oder Reparatur sämtlicher in diesem Handbuch genannter Geräte durch nicht fachkundige Personen entstehen.
- Dies ist ein Produkt der Klasse A. Dieses Produkt kann im Wohnbereich Funkstörungen verursachen. In diesem Fall kann vom Betreiber verlangt werden, angemessene Maßnahmen durchzuführen.
- Alle Kabeldurchführungen oder andere Kabeleingänge müssen über eine UL-Zertifizierung verfügen, um die Zertifizierung beizubehalten, die in jedem Fall für den Dichtgrad, der beibehalten werden soll, geeignet ist.
- Im Falle von Beschädigungen muss das Auswechseln oder die Reparatur der betreffenden Teile von VIDEOTEC ausgeführt werden bzw. unter ihrer Aufsicht.
- Das Auswechseln der aufgeführten Bauteile darf nur durch originale Ersatzbauteile von VIDEOTEC erfolgen, dabei müssen strikt die Wartungsanweisungen im Anhang von jedem Ersatzteilbausatz befolgt werden.
- Während der Installation ist geeignete persönliche Schutzausrüstung zu verwenden.
- Unter keinen Umständen dürfen Veränderungen oder Anschlüsse vorgenommen werden, die in diesem Handbuch nicht genannt sind. Der Gebrauch ungeeigneten Geräts kann die Sicherheit des Personals und der Anlage schwer gefährden.
- Es dürfen nur Original-Ersatzteile verwendet werden. Nicht originale Ersatzteile können zu Bränden, elektrischen Entladungen oder anderen Gefahren führen.
- Vorgeschrieben ist der Anschluss an eine Versorgungsquelle, deren Eigenschaften den Angaben auf dem Kennzeichnungsschild entsprechen. Vor der Installation ist zu prüfen, ob die Stromleitung sachgerecht abgetrennt ist.

**ANMERKUNG****Beschreibung der Systemmerkmale.**

**Eine sorgfältige Lektüre wird empfohlen, um das Verständnis der folgenden Phasen zu gewährleisten.**

- Das Handling erfordert keine besonderen Vorkehrungen. Wir empfehlen daher dem zuständigen Personal, diese Operationen gemäß der allgemeinen Sicherheitsnormen bezüglich Unfallverhütung auszuführen.
- Sicherstellen, dass alle Vorsichtsmaßnahmen für die Sicherheit des Personals getroffen wurden.
- Vor der Installation ist anhand des Kennzeichnungsschildes nachzuprüfen, ob das gelieferte Material die gewünschten Eigenschaften (4.4 Schildchen mit Produktkennzeichnung, Seite 9).
- Das Gerät ist für eine Installation in einem Bereich mit beschränktem Zugang für spezialisierte Techniker vorgesehen.
- Da der Benutzer für die Auswahl der Verankerungsoberfläche der Einheit verantwortlich ist, liefert der Hersteller die Befestigungsvorrichtungen für die Verankerung der Einheit auf der Oberfläche nicht mit. Der Installateur ist für die Auswahl der für die zur Verfügung stehende Oberfläche geeigneten Vorrichtungen verantwortlich. Wir empfehlen die Verwendung von Methoden und Materialien, die in der Lage sind, einem Gewicht standzuhalten, dass 4 Mal größer als das Gewicht des Gerätes ist.
- Die Installationskategorie (auch als Überspannungskategorie bezeichnet) gibt den Pegel der Netzspannungsstöße an, denen die Ausrüstung ausgesetzt ist. Die Kategorie hängt vom Installationsort der Ausrüstung und von den externen Schutzeinrichtungen gegen Spannungsstöße ab. Ausrüstungen in einer gewerblichen Umgebung, die direkt mit den Hauptzweigen der Versorgungsanlage verbunden sind, gehören zur Installationskategorie III. In diesem Fall ist eine Abstufung auf Installationskategorie II erforderlich. Alternativ können UL listed Überspannungsschutzvorrichtungen (SPD) von Fase zu Nullleiter und von Nullleiter zur Erde geführt werden. UL-gelistete Überspannungsschutzvorrichtungen sind für die wiederholte Begrenzung kurzzeitig auftretender Spannungsspitzen und für die folgenden nominellen Betriebsbedingungen auszulegen: Typ 2 (Dauerhaft angeschlossene Überspannungsschutzvorrichtungen für die Installation auf der Ladungsseite der Hilfseinrichtung); Nennentladestrom (In) 20kA min. Benutzt werden können beispielsweise: FERRAZ SHAWMUT, STT2240SPG-CN, STT2BL240SPG-CN, spezifiziert für 120Vac/240Vac, (In=20kA). Der maximale Abstand zwischen dem Einbau und der Abkürzung ist 5m.
- Um die Vorschriften über Spannungseinbrüche und -abschaltungen einzuhalten, benutzen Sie bitte eine unterbrechungsfreie Stromversorgung (UPS).
- Der Hersteller lehnt jede Haftung für eventuelle Schäden ab, die aufgrund unsachgemäßer Anwendung der in diesem Handbuch erwähnten Geräte entstanden ist. Ferner behält er sich das Recht vor, den Inhalt ohne Vorkündigung abzuändern. Die Dokumentation in diesem Handbuch wurde sorgfältig ausgeführt und überprüft. Der Hersteller kann dennoch keine Haftung für die Verwendung übernehmen. Dasselbe gilt für jede Person oder Gesellschaft, die bei der Schaffung oder Produktion von diesem Handbuch miteinbezogen ist.

# 4 Identifizierung

## 4.1 Beschreibung und Bezeichnung des Produktes

DE - Deutsch - Bedienungsanleitung

Bei COMB handelt es sich um eine Kommunikationsbox, die mit allem ausgestattet ist, was notwendig ist, um einen Anschluss mit einer oder mehreren IP-Kameras oder analogen Kameras und der entsprechenden Waschanlage herzustellen.

COMB stellt eine lokale Stromversorgung mit Niederspannung zur Verfügung. Zudem wird ein Fast-Ethernet-Anschluss durch den eingebauten Ethernet-Schalter ermöglicht, der mit drei RJ45-Ports und einem SFP-Port für einen Glasfaseranschluss ausgestattet ist. Die interne Platine bietet zudem eine doppelte Umgehung der analogen Videosignale und eine doppelte Umgehung für I/O-Signale mit mehradrigen Steckverbindern. Bei dem Entwurf des Innenraums wurde berücksichtigt, den Zugriff auf die Kabel zu erleichtern und die Anschlussarbeiten einfacher zu gestalten.

Der Betrieb von COMB wird für folgende Anlagenkonfigurationen garantiert:

- Eine VIDEOTECH PTZ-Kamera mit entsprechender oder ohne entsprechende VIDEOTECH Waschanlage.

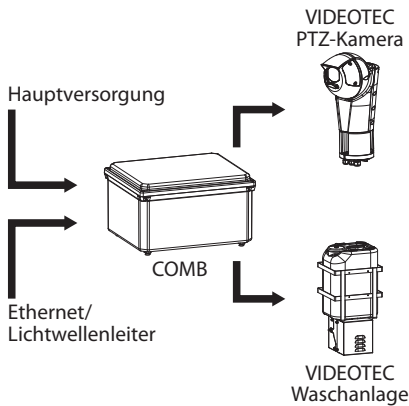


Abb. 1

- Eine oder zwei feste VIDEOTECH Kameras mit entsprechenden oder ohne entsprechenden VIDEOTECH Waschanlagen.

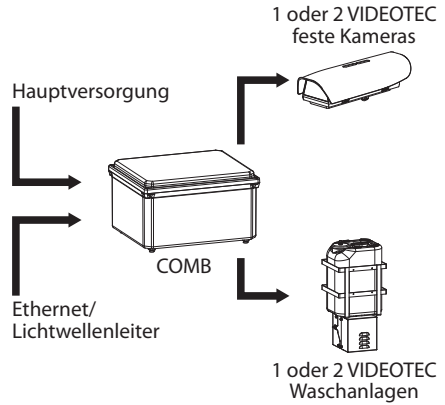


Abb. 2

- Eine VIDEOTECH PTZ-Kamera und eine feste VIDEOTECH Kamera ohne Waschanlage.

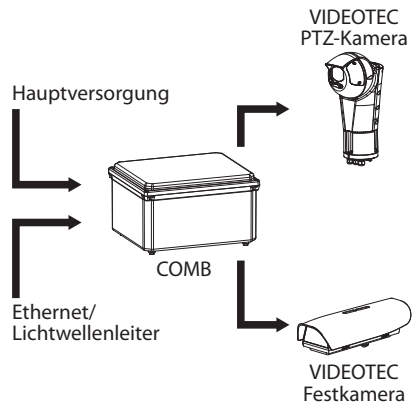


Abb. 3

## 4.2 Produktübersicht

Nachfolgend werden die Hauptkomponenten des Produkts angegeben:

1. Kasten.
2. Deckel.
3. Befestigungsflansche.

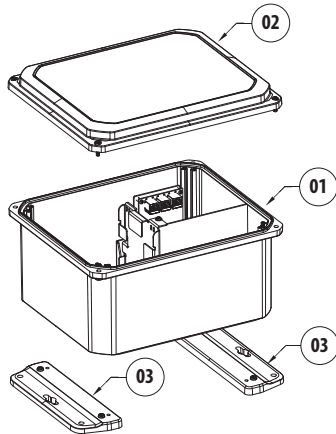


Abb. 4

## 4.3 Benutzerfeld

Betriebstemperatur: von  $-40^{\circ}\text{C}$  bis zu  $+70^{\circ}\text{C}$ .

## 4.4 Schildchen mit Produktkennzeichnung

Siehe das Label auf dem Produkt.

### 4.4.1 Prüfung der Kennzeichnung

Vor Beginn der Installationsarbeiten ist zu kontrollieren, ob das gelieferte Material den jeweiligen Anforderungen entspricht. Zu erkennen ist dies anhand der Kennzeichnungsschilder.

Unter keinen Umständen dürfen Veränderungen oder Anschlüsse vorgenommen werden, die in diesem Handbuch nicht genannt sind. Der Gebrauch ungeeigneten Geräts kann die Sicherheit des Personals und der Anlage schwer gefährden.

## 4.5 Identifizierung des Modells

COMB - KONFIGURATIONSOPTIONEN			
	Eingangsspannung		Überarbeitung
COMB	1	von 220Vac bis zu 230Vac	00 A
	2	24Vac	
	3	von 120Vac bis zu 127Vac	

Tab. 1.

## 5 Vorbereitung des Produktes auf den Gebrauch

### 5.1 Entfernen der Verpackung

Bei der Lieferung des Produktes ist zu prüfen, ob die Verpackung intakt ist oder offensichtliche Anzeichen von Stürzen oder Abrieb aufweist.

Bei offensichtlichen Schadensspuren an der Verpackung muss umgehend der Lieferant verständigt werden.

Im Falle der Rückgabe des nicht korrekt funktionierenden Produktes empfiehlt sich die Verwendung der Originalverpackung für den Transport.

Bewahren Sie die Verpackung auf für den Fall, dass das Produkt zur Reparatur eingesendet werden muss.

### 5.2 Inhalt

Prüfen Sie, ob der Inhalt mit der nachstehenden Materialliste übereinstimmt:

- Kommunikationsbox
- Bedienungsanleitungen
- Befestigungsflansche
- Kabelbinder (3)
- Schrauben

### 5.3 Sichere Entsorgung der Verpackungsmaterialien

Die Verpackungsmaterialien sind vollständig wiederverwertbar. Es ist Sache des Installationstechnikers, sie getrennt, auf jeden Fall aber nach den geltenden Vorschriften des Anwendungslandes zu entsorgen.

## 5.4 Öffnen des Produkts



Während der Öffnung und Schließung des Produkts darauf achten, dass die Dichtung des Deckels dadurch nicht unbrauchbar wird.

Die 4 Schrauben lösen und den Deckel entfernen.

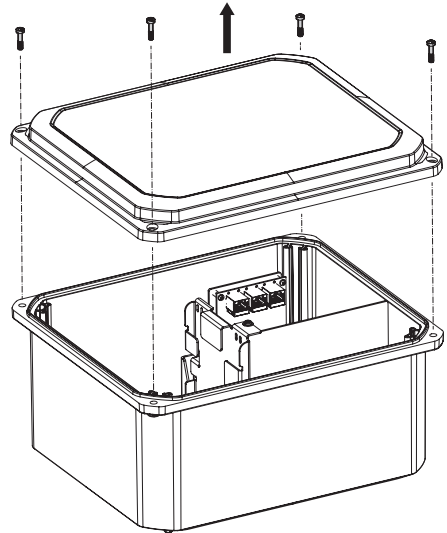


Abb. 5



## 5.5 Kabeleingang



Zur Beibehaltung der IP-Schutzart des Produkts Kabeldurchführungen mit geeigneter IP-Schutzart verwenden.



Die verwendeten Kabeldurchführungen müssen UL-zertifiziert sein, um die UL-Zertifizierung zu erhalten.



Alle Kabeldurchführungen müssen sich für die Anwendungsbedingungen eignen und korrekt installiert sein.

Das Produkt wird ohne Bohrungen geliefert. Es wird empfohlen, den Kasten auf der kurzen Seite, wie in der Abbildung angegeben, zu durchbohren (Abb. 6, Seite 11).

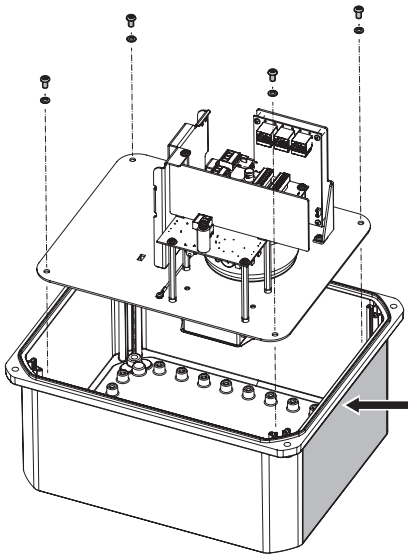


Abb. 6

Den Innenblock (01), der sich aus Halterungsplatte, der Platine der Steckverbinder, Switch-Platine, Transformator und Spleißkassette zusammensetzt, vor dem Durchbohren des Kastens entfernen.

Zum Entfernen des Innenblocks (01) die vier Befestigungsschrauben (02) lösen.

Die Platte für die Platinenabteilung (03) nehmen, den Innenblock (01) anheben und den Kasten (04) abziehen (Abb. 7, Seite 11 und Abb. 8, Seite 11).

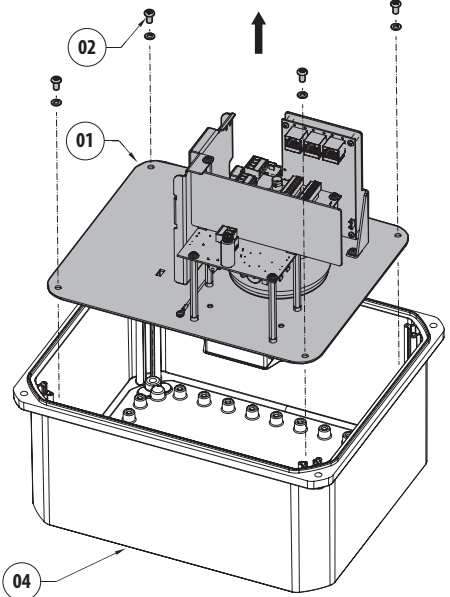


Abb. 7

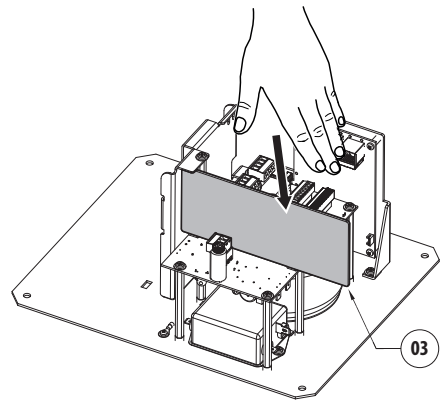


Abb. 8

Auf den letzten Seiten dieses Handbuchs befinden sich zwei Beispiele für Schablonen für die richtige Bohrung (DRILLING TEMPLATE - A, DRILLING TEMPLATE - B).

Basierend auf der gewollten Konfiguration wird empfohlen, eine der Bohrschablonen aus dem Handbuch zu verwenden.

**! Wenn ein Produkt aus der NXPTZ oder NXPTZ SERIES2 Reihe mit COMB verbunden werden soll, muss am Kasten eine Bohrung mit 32mm durchgeführt werden.**

Nachdem die gewünschte Bohrung durchgeführt wurde, die Kabeldurchführungen, die nicht im Lieferumfang enthalten sind, montieren und beim Nehmen der Platte für die Platinenabteilung (03) den Innenblock wieder (01) in den Kasten (04) einsetzen. Die Halterungsplatte des Innenblocks (01) mit den vorher entfernten Schrauben (02) befestigen (Abb. 9, Seite 12).

**! Auf die Befestigung achten. Anzugsdrehmoment: 2Nm.**

**Verwenden Sie kein Schraubensicherungsmittel, um die Kassette an der Platte zu befestigen. !da duplicazione!.**

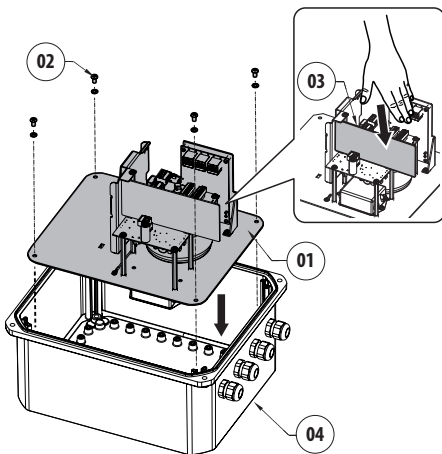


Abb. 9

## 5.6 Montage der Befestigungsflansche

Die Befestigungsflansche, wie in der Abbildung angegeben, montieren. Hierzu die mitgelieferten Schrauben verwenden.

**! Auf die Befestigung achten. Anzugsdrehmoment: 2Nm.**

**Verwenden Sie kein Schraubensicherungsmittel, um die Kassette an der Platte zu befestigen. !da duplicazione!.**

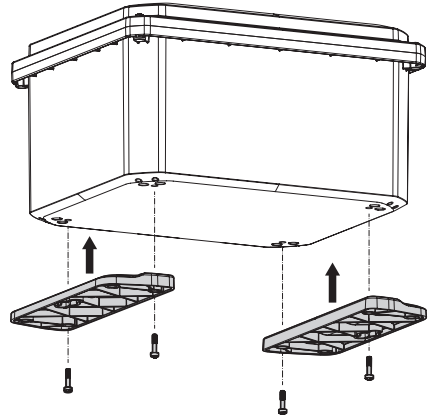


Abb. 10

## 5.7 Schließen des Produkts

**! Während der Öffnung und Schließung des Produkts darauf achten, dass die Dichtung des Deckels dadurch nicht unbrauchbar wird.**

Sicherstellen, dass kein Schmutz oder Rückstände vorhanden sind.

Den Deckel mit vier Schrauben schließen.

**! Auf die Befestigung achten. Anzugsmoment Schrauben: 1.3Nm.**

**Verwenden Sie kein Schraubensicherungsmittel, um die Kassette an der Platte zu befestigen. !da duplicazione!.**

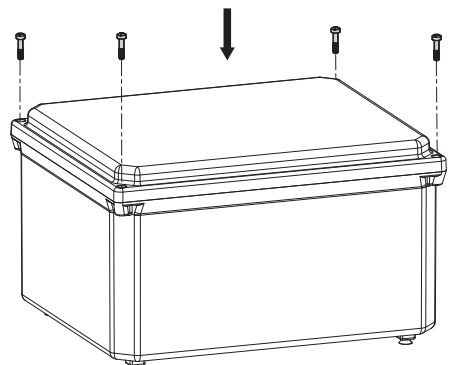


Abb. 11

# 6 Installation

**!** Vor der Installation des Produkts, entfernen Sie die transparente blaue Schutzfolie von der Abdeckung.

## 6.1 Anschließen der Kabel

Nachdem der Deckel entfernt wurde, kann auf eine Platine mit abnehmbaren Steckverbindern und eine Switch-Platine mit drei RJ45 Steckverbindern und einem SFP-Slot zugegriffen werden.

### 6.1.1 Beschreibung der Karte Anschlüsse

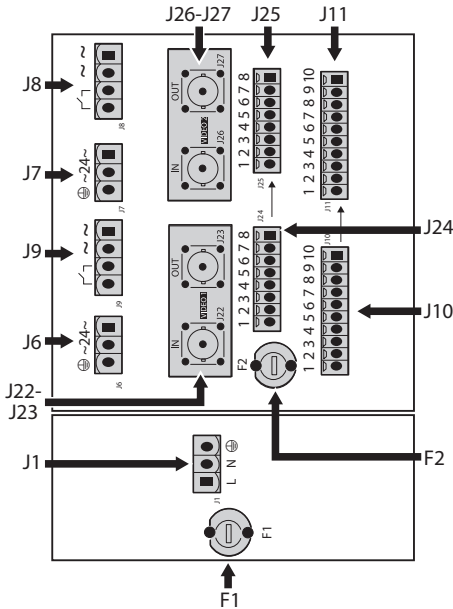


Abb. 12

BESCHREIBUNG DER PLATINE		
Verbinder	Funktion	Klemmen - Nennquerschnitt der verwendeten Kabel
J1	Hauptversorgungsleitung	von 0.2mm <sup>2</sup> (24AWG) bis zu 2.5mm <sup>2</sup> (13AWG)
F1	Schmelzsicherung der Hauptspannungsversorgung	-
J6	Ausgang Spannungsversorgung 24Vac	von 0.2mm <sup>2</sup> (24AWG) bis zu 2.5mm <sup>2</sup> (13AWG)
J7	Ausgang Spannungsversorgung 24Vac	von 0.2mm <sup>2</sup> (24AWG) bis zu 2.5mm <sup>2</sup> (13AWG)
J8	24Vac Ausgang, für Waschanlage und Befehlsrelaiseingang von der VIDEOTEC Kamera	von 0.2mm <sup>2</sup> (24AWG) bis zu 2.5mm <sup>2</sup> (13AWG)
J9	24Vac Ausgang, für Waschanlage und Befehlsrelaiseingang von der VIDEOTEC Kamera	von 0.2mm <sup>2</sup> (24AWG) bis zu 2.5mm <sup>2</sup> (13AWG)
J22	BNC (Video 1) IN	-
J23	BNC (Video 1) OUT	-
J26	BNC (Video 2) IN	-
J27	BNC (Video 2) OUT	-
F2	Schmelzsicherung Ausgang Spannungsversorgung 24Vac	-
J24	8-polige Steckverbinder IN (Die Kontakte des Steckers J24 entsprechen den Kontakten des Steckers J25)	von 0.2mm <sup>2</sup> (24AWG) bis zu 1.0mm <sup>2</sup> (17AWG)
J25	8-polige Steckverbinder OUT (Die Kontakte des Steckers J24 entsprechen den Kontakten des Steckers J25)	von 0.2mm <sup>2</sup> (24AWG) bis zu 1.0mm <sup>2</sup> (17AWG)
J10	10-polige Steckverbinder IN (Die Kontakte des Steckers J10 entsprechen den Kontakten des Steckers J11)	von 0.2mm <sup>2</sup> (24AWG) bis zu 1.0mm <sup>2</sup> (17AWG)
J11	10-polige Steckverbinder OUT (Die Kontakte des Steckers J10 entsprechen den Kontakten des Steckers J11)	von 0.2mm <sup>2</sup> (24AWG) bis zu 1.0mm <sup>2</sup> (17AWG)

Tab. 2

**!** Länge der Abisolierung der Leiter: 5mm.

## 6.1.2 Anschluss der Hauptversorgungsleitung



**ACHTUNG! Die Anlage gehört zum Typ TNV-1. Nicht an Kreisläufe SELV anschließen.**

Je nach Version kann die Vorrichtung mit unterschiedlichen Versorgungsspannungen geliefert werden. Der Wert der Versorgungsspannung ist auf dem Kenndatenschildchen des Produktes angegeben (4.4 Schildchen mit Produktkennzeichnung, Seite 9).

Die Versorgungskabel an den Steckverbinder J1 anschließen, Hierzu die Angaben auf dem Siebdruck beachten. Ein geerdetes Sicherheitskabel an den Steckverbinder J1 anschließen, Hierzu die Angaben auf dem Siebdruck beachten (6.1.1 Beschreibung der Karte Anschlüsse, Seite 13).

ANSCHLUSS DER STROMVERSORGUNG	
Farbe	Klemmenkontakt
<b>Netzteil von 220Vac bis zu 230Vac</b>	
Blau	N (Nullleiter)
Braun	L (Phase)
Gelb/Grün	⊕
<b>Netzteil 24Vac</b>	
Vom Installateur festgelegt.	N (Nullleiter)
Vom Installateur festgelegt.	L (Phase)
Gelb/Grün	⊕
<b>Netzteil von 120Vac bis zu 127Vac</b>	
Blau	N (Nullleiter)
Braun	L (Phase)
Gelb/Grün	⊕

Tab. 3

## 6.1.3 Anschluss der Produkte an die 24Vac Versorgungsleitung

Die 24Vac Versorgungskabel der Geräte (PTZ-Einheit oder feste Kamera) mit den Steckverbindern J6 und J7 verbinden. (6.1.1 Beschreibung der Karte Anschlüsse, Seite 13).

ANSCHLUSS DER 24VAC AUSGANGSVERSORGUNGSLIETUNG	
Farbe	Klemmenkontakt
<b>Stromversorgung 24Vac</b>	
Vom Installateur festgelegt.	~
Vom Installateur festgelegt.	~
Gelb/Grün	⊕

Tab. 4

## 6.1.4 Mehradrige Steckverbinder (Relais, Alarme, serielle Leitung)

Die Installationshandbücher der anzuschließenden Vorrichtungen für ihre Spezifikationen bei Relais und den Alarmen heranziehen. Die mehradrigen Steckverbinder auf der Platine der Steckverbinder verwenden, um die Signale von den Vorrichtungen zur Hauptanlage zu übertragen. Dabei ist zu beachten, dass die Kontakte des Steckverbinders J24 den Kontakten des Steckverbinders J25 entsprechen und die Kontakte des Steckverbinders J10 den Kontakten des Steckverbinders J11 entsprechen (6.1.1 Beschreibung der Karte Anschlüsse, Seite 13).

## 6.1.5 BNC-Steckverbinder (Video analog)

Die Installationshandbücher der anzuschließenden Geräte für die Spezifikationen bei analogen Videosignalen heranziehen. Die BNC-Steckverbinder auf der Platine der Steckverbinder verwenden, um die Signale von den Vorrichtungen zur Hauptanlage zu übertragen. Dabei ist zu beachten, dass der Steckverbinder J22 mit J23 und J26 mit J27 antwortet (6.1.1 Beschreibung der Karte Anschlüsse, Seite 13).

## 6.1.6 Steckverbinder für die Waschanlage (WASNX)

Die entsprechenden Spezifikationen finden Sie im Installationshandbuch des Waschsystems. Die Kontakte des Befehlsrelais der PTZ-Einheit oder der festen Kameras von VIDEOTEC und der Versorgungskabel (24Vac) der Waschanlage nach der unten aufgeführten Darstellung anschließen (Abb. 13, Seite 15).

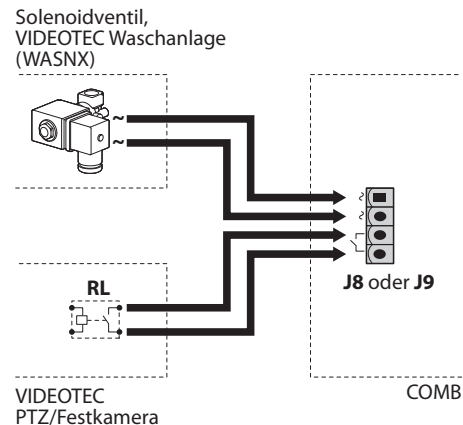


Abb. 13

## 6.1.7 Steckverbinder für die Waschanlage (WASPT)

Die entsprechenden Spezifikationen finden Sie im Installationshandbuch des Waschsystems. Die Kontakte des Befehlsrelais der PTZ-Einheit oder der festen Kameras von VIDEOTEC und der Versorgungskabel (24Vac) der Waschanlage nach der unten aufgeführten Darstellung anschließen (Abb. 14, Seite 15).

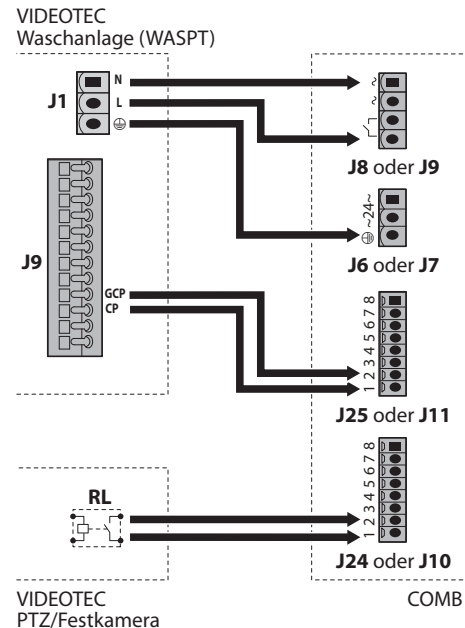


Abb. 14

## 6.1.8 Bezeichnung der Switch-Platine

### BEZEICHNUNG DER SWITCH-PLATINE

Verbinder	Funktion
J1	RJ45 Ethernet Verbinder
J3	RJ45 Ethernet Verbinder
J5	RJ45 Ethernet Verbinder
J2	SFP-Steckverbinder

Tab. 5

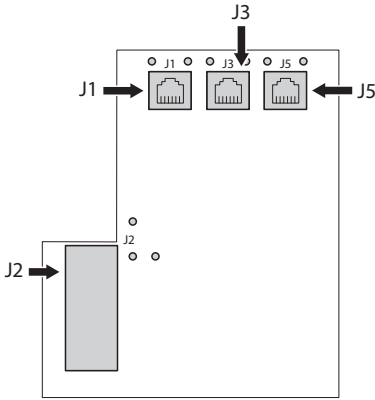


Abb. 15

Die Funktion der RJ45 Steckverbinder wird durch zwei entsprechende LEDs angegeben:

- Gelbe LED: LED leuchtet; die Verbindung ist aktiviert.
- Grüne LED: LED leuchtet; die Verbindungsgeschwindigkeit beträgt 100Mbps. LED ist aus; die Verbindungsgeschwindigkeit beträgt 10Mbps.

Die Funktion der SFP-Steckverbinder wird durch drei entsprechende LEDs angegeben:

- Gelbe LED: LED leuchtet; der Steckverbinder ist aktiv.
- Rote LED: LED leuchtet; gibt an, dass das Glasfasersignal eingeschaltet ist.
- Grüne LED: LED leuchtet; die Geschwindigkeitsverbindung beträgt 100Mbps.

## 6.1.9 Ethernet-Kabelanschluss

Die an das Netzwerk anzuschließenden Vorrichtungen können gleichermaßen an die RJ45 Ports bzw. an das SFP-Modul angeschlossen werden.

Die Switch-Platine kann bis zu 3 RJ45 Ports verwalten. Sie verfügt über einen Slot für SFP-Module.

Die Ethernetkabel mit den Ports RJ45 J1, J3, J5 verbinden. Das SFP-Modul (nicht im Lieferumfang enthalten) in den Slot J2 der Switch-Platine einfügen (6.1.8 Bezeichnung der Switch-Platine, Seite 16).

Das Handbuch des SFP-Moduls für die entsprechenden Spezifikationen heranziehen.

**i** VIDEOTEC hat verschiedene SFP-Modultypologien getestet. Weitere Auskünfte erteilt das Kundendienstcenter von VIDEOTEC.

Die Installationshandbücher der anzuschließenden Vorrichtungen für die Spezifikationen des Ethernet-Netzwerks heranziehen.

## 6.1.10 Verwendung der Spleißkassette

COMB verfügt über eine Spleißkassette für die Aufnahme der Glasfaserkabel.

Die Schrauben (01) entfernen und die Spleißkassette (02) entnehmen (Abb. 16, Seite 16).

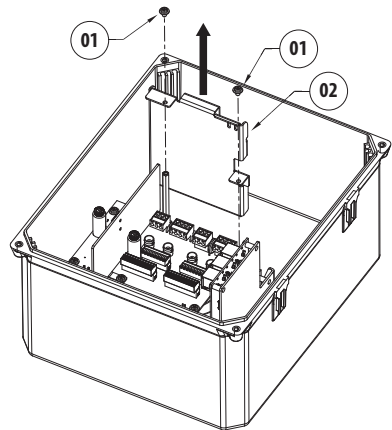


Abb. 16

Die Glasfaserkabel, wie in der Abbildung angegeben, ausrichten. Hierzu die mitgelieferten Schellen aus Nylon verwenden, um sie zu befestigen (Abb. 17, Seite 17).

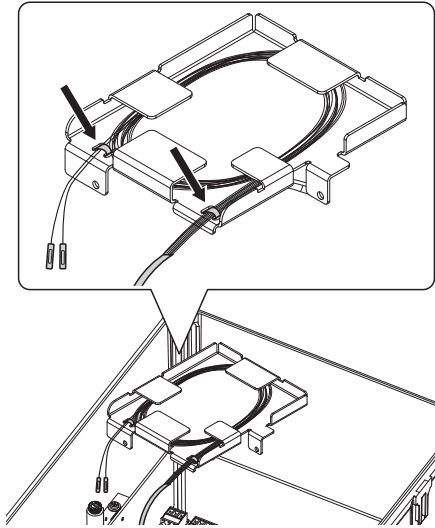


Abb. 17

Die Spleißkassette am Sitz positionieren und mit den vorher entfernten Schrauben befestigen (Abb. 18, Seite 17).

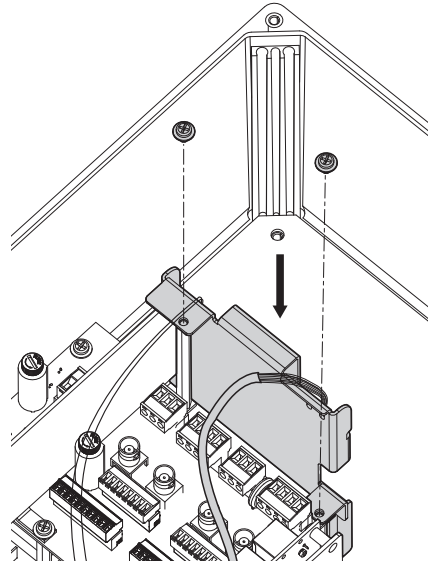


Abb. 18

**!** An den Befestigungsschrauben Gewindesicherungsmittel aufbringen (Loctite 243®).

**!** Auf die Befestigung achten. Anzugsmoment Schrauben: 1.6Nm.

## 7 Einschaltung

Für das Einschalten der Einheit die elektrische Versorgung anzulegen.

Die elektrische Versorgung abtrennen, um die Einheit abzuschalten.

## 8 Wartung

### 8.1 Wechsel der Sicherungen



**ACHTUNG! Damit ein ständiger Brandschutz garantiert wird, sind die Sicherungen nur in dem gleichen Typ und Wert zu ersetzen. Die Sicherungen sind nur von Fachleuten zu ersetzen.**

Im Bedarfsfall können die Sicherungen der Karte der Verbindungsstecker ausgewechselt werden ( 6.1.1 Beschreibung der Karte Anschlüsse, Seite 13). Die neuen Sicherungen müssen den Angaben der Tabelle entsprechen.

WECHSEL DER SICHERUNGEN		
Versorgungsspannung	Sicherung (F1)	Sicherung (F2)
von 220Vac bis zu 230Vac, 50/60Hz	T 4A H 250V 5x20	T 8A H 250V 5x20
24Vac, 50/60Hz	T 8A H 250V 5x20	T 8A H 250V 5x20
von 120Vac bis zu 127Vac, 50/60Hz	T 4A H 250V 5x20	T 8A H 250V 5x20

Tab. 6

## 9 Reinigung



**Die Häufigkeit der Eingriffe hängt von der Umgebung ab, in der die Einheit verwendet wird.**



**Zu vermeiden sind Äthylalkohol, Lösungsmittel, hydrierte Kohlenwasserstoffe, starke Säuren und alkalische Lösungen. Diese Produkte können die behandelte Oberfläche beschädigen.**

Die Reinigung sollte mit einer milden Seife mit Wasser verdünnt erfolgen.

## 10 Informationen bezüglich Entsorgung und Recycling

Die EU-Richtlinie 2012/19/EU über Elektro- und Elektronik-Altgeräte (WEEE) verpflichtet, dass diese Geräte nicht zusammen mit festen Haushaltsabfällen entsorgt werden sollten. Diese besonderen Abfällen müssen separat gesammelt werden, um den Rückgewinnungsstrom und das Recycling der darin enthaltenen Materialien zu optimieren, sowie zur Minderung der Einwirkung auf die menschliche Gesundheit und Umwelt aufgrund des Vorhandenseins von potentiell gefährlichen Stoffen.



**Das Symbol des gekreuzten Müllbehälters ist auf allen Produkten markiert, um sich daran zu erinnern.**

Die Abfälle dürfen an die ausgewiesenen Müllsammelstellen gebracht werden. Andernfalls darf man es kostenlos an den Vertragshändler bringen, bei dem das Gerät gekauft wurde. Das kann beim Einkauf von neuen gleichartigen Produkten passieren oder auch ohne Verpflichtung eines Neukaufes, falls die Größe des Gerätes kleiner als 25 cm ist.

Mehr Informationen über die korrekte Entsorgung dieser Geräte erhalten Sie bei der entsprechenden Behörde.

## 11 Problemlösung



**Kontaktieren Sie bitte den Kundendienst von VIDEOTEC oder das autorisierte Servicezentrum bei jedem nicht beschriebenen Problem oder falls das aufgelistete Problem weiterhin bestehen sollte.**

Wenn der Kundendienst von VIDEOTEC kontaktiert wird, muss die Seriennummer zusammen mit dem Identifizierungscode des Modells.

<b>PROBLEM</b>	<b>Das Produkt lässt sich nicht einschalten.</b>
URSACHE	Falsche Verkabelung, Schmelzsicherungen durchgebrannt.
LÖSUNG	Anschlüsse prüfen. Die Kontinuität der Sicherungen überprüfen und im Falle eines Defektes müssen sie durch die aufgeführten Modelle ersetzt werden.



## 12 Technische Daten

### 12.1 Mechanik

Material: Polykarbonat

Befestigungspunkte: 6, Durchmesser 8.4mm

Außenabmessungen (WxHxL): 368.3x195.4x285.5mm

Kabelverschraubungen nicht mit dem Produkt geliefert

Spleißablage zur Aufnahme der im Produkt enthaltenen Glasfaser

Einheitsgewicht: 6.6kg

### 12.2 Elektrik

COMB unterstützt ausschließlich VIDEOTECH Produkte mit 24Vac.

Eingangsspannung verfügbar:

- von 220Vac bis zu 230Vac  $\pm 10\%$ , 50/60Hz
- 24Vac  $\pm 10\%$ , 50/60Hz
- von 120Vac bis zu 127Vac  $\pm 10\%$ , 50/60Hz

Ausgangsspannung: 24Vac, 50/60Hz, 200VA (120VA max UL 62368-1)

Zulässige Anlagenkonfigurationen:

- Eine VIDEOTECH PTZ-Kamera mit entsprechender oder ohne entsprechende VIDEOTECH Waschanlage.
- Eine oder zwei feste VIDEOTECH Kameras mit entsprechenden oder ohne entsprechenden VIDEOTECH Waschanlagen.
- Eine feste VIDEOTECH Kamera und eine VIDEOTECH PTZ-Kamera ohne Waschanlage.

### 12.3 Netzwerk

4-Kanal Ethernet-Schalter:

3 RJ45-Ports

- Ethernet-Verbindung: 10BASE-T/100BASE-T

1 Port SFP (SMALL FORM FACTOR PLUGGABLE)

- Ethernet-Verbindung: 100BASE-FX
- Versorgungsspannung: 3.3V
- Standard: MSA-konform

Das SFP Modul, das nicht von VIDEOTECH geliefert wird, muss folgenden Anforderungen nachkommen:

- Laser: Class 1, in Übereinstimmung mit EN60825-1
- UL/IEC 60950-1 oder UL/IEC 62368-1 Zertifizierung

### 12.4 Video analog

2 Umgehungen für analoge Videosignale mit BNC Steckverbindern

### 12.5 I/O-Schnittstelle

2 Umgehungen für I/O-Signale mit mehradrigen Steckverbindern

### 12.6 Umgebung

Montage für den Innen- und Außenbereich

Betriebstemperatur: von  $-40^{\circ}\text{C}$  bis zu  $+70^{\circ}\text{C}$

Relative Luftfeuchtigkeit: von 5% bis zu 95%

### 12.7 Zertifizierungen

Elektrische Sicherheit (CE): EN60950-1, IEC60950-1, EN62368-1, IEC62368-1

Elektromagnetische Verträglichkeit (CE): EN50130-4, EN55032 (Klasse A), EN61000-6-4, EN61000-3-2, EN61000-3-3

RoHS (CE): EN50581

Außeninstallation (CE): EN60950-22, IEC60950-22

Vibrationstest: EN50130-5, EN60068-2-6

UL- Zertifizierung (UL60950-1, CAN/CSA C22.2 No. 60950-1-07, UL62368-1, CAN/CSA C22.2 No. 62368-1-14): cULus Listed

Elektromagnetische Verträglichkeit (Nordamerika): FCC part 15 (Klasse A), ICES-003 (Klasse A)

Schutzart IP (EN/IEC60529): IP66, IP67, IP68, IP69

Schutzart IK: IK10

Schutzart Type (UL50E): 4X, 6P

EAC-Zertifizierung

KC-Zertifizierung (Nur für Code COMB100A)

### 12.8 Zertifizierungen - Bahnanwendungen

In Übereinstimmung mit den Vorschriften für Anwendungen beim Zugverkehr: EN50121-4 (das Produkt benötigt den Zusatzfilter SURGEPR)

## 12.9 Zertifizierungen - Marine-Anwendungen

Zertifizierung Lloyd's Register Marine Type Approval:  
Test Specification Number 1 (ENV1, ENV2, ENV3,  
ENV5)

Elektromagnetische Verträglichkeit: EN60945

Salznebelbeständig: EN60068-2-52

## 13 Technische Zeichnungen

 Die Maße sind in Millimetern angegeben.

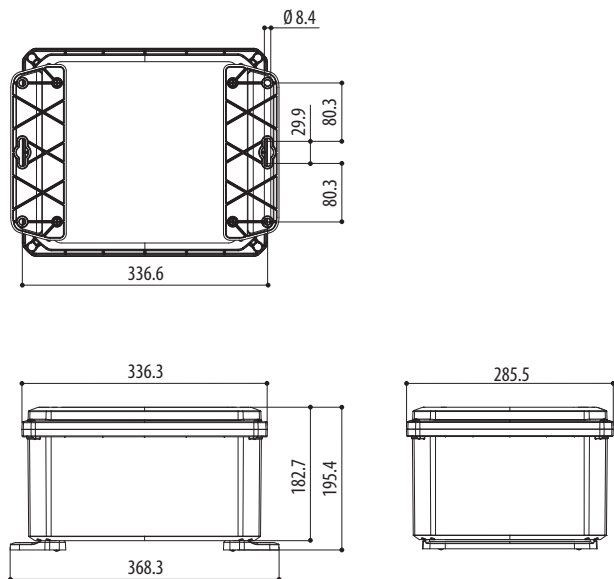


Abb. 19 COMB.

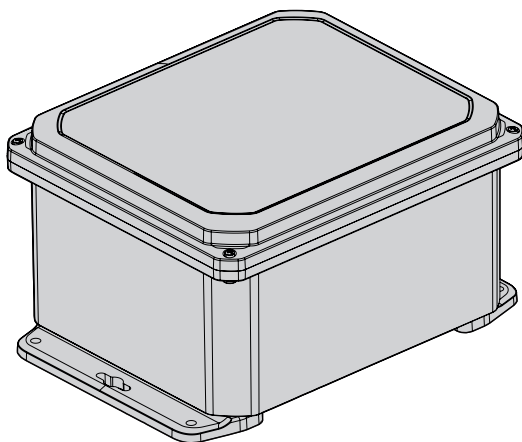


**Headquarters Italy** VIDEOTECH S.r.l.  
Via Friuli, 6 - I-36015 Schio (VI) - Italy  
Tel. +39 0445 697411 - Fax +39 0445 697414  
Email: [info@videotec.com](mailto:info@videotec.com)  
[www.videotec.com](http://www.videotec.com)



# COMB

Соединительная коробка из поликарбоната





# Комплект оборудования

<b>1</b>	<b>О настоящем руководстве.....</b>	<b>5</b>
1.1	Типографские условные обозначения.....	5
<b>2</b>	<b>Примечания в отношении авторского права и информация о торговых марках.....</b>	<b>5</b>
<b>3</b>	<b>Правила техники безопасности.....</b>	<b>5</b>
<b>4</b>	<b>Обозначение .....</b>	<b>8</b>
4.1	Описание и обозначение типа устройства.....	8
4.2	Общий вид изделия.....	9
4.3	Область применения.....	9
4.4	Этикетка с маркировкой продукта.....	9
4.4.1	Проверка маркировки.....	9
4.5	Идентификация модели.....	9
<b>5</b>	<b>Подготовка устройства к использованию.....</b>	<b>10</b>
5.1	Распаковка.....	10
5.2	Комплект оборудования.....	10
5.3	Безопасная утилизация упаковочных материалов.....	10
5.4	Открытие изделия.....	10
5.5	Ввод кабелей.....	11
5.6	Установка фиксирующих фланцев.....	12
5.7	Закрытие изделия.....	12
<b>6</b>	<b>Монтаж .....</b>	<b>13</b>
6.1	Подключение кабелей.....	13
6.1.1	Описание платы разъемов.....	13
6.1.2	Подключение главной линии питания.....	14
6.1.3	Подключение изделий к линии питания 24Vac.....	14
6.1.4	Многоконтактные разъемы (реле, аварийные сигналы, последовательная линия).....	14
6.1.5	Разъемы BNC (аналоговое видео).....	14
6.1.6	Разъемы омывателя (WASNХ).....	15
6.1.7	Разъемы омывателя (WASPT).....	15
6.1.8	Описание платы коммутатора.....	16
6.1.9	Подключение кабелей Ethernet.....	16
6.1.10	Использование соединительного лотка.....	16
<b>7</b>	<b>Включение .....</b>	<b>17</b>
<b>8</b>	<b>Техническое обслуживание .....</b>	<b>18</b>
8.1	Замена предохранителей.....	18
<b>9</b>	<b>Очистка.....</b>	<b>18</b>
<b>10</b>	<b>Информация об утилизации и переработке.....</b>	<b>18</b>
<b>11</b>	<b>Поиск и устранение неисправностей .....</b>	<b>18</b>
<b>12</b>	<b>Технические характеристики .....</b>	<b>19</b>
12.1	Механические хар.....	19
12.2	Электрические хар.....	19

12.3 Сеть.....	19
12.4 Аналоговый видео сигнал .....	19
12.5 Интерфейс ввода-вывода.....	19
12.6 Окружающая среда.....	19
12.7 Сертификаты .....	19
12.8 Сертификаты - Применение на железной дороге.....	19
12.9 Сертификаты - Морское применение .....	20
<b>13 Технические чертежи .....</b>	<b>20</b>

# 1 О настоящем руководстве

Перед установкой и использованием этого изделия внимательно прочтите всю предоставленную документацию. Всегда держите руководство под рукой, чтобы им можно было воспользоваться в будущем.

## 1.1 Типографские условные обозначения



### **ОПАСНОСТЬ!**

**Высокий уровень опасности. Риск поражения электрическим током. При отсутствии иных указаний отключите питание устройства, перед тем как приступить к выполнению любой операции.**



### **ПРЕДУПРЕЖДЕНИЕ!**

**Средний уровень опасности. Данная операция крайне важна для обеспечения надлежащего функционирования системы. Внимательно ознакомьтесь с описанием процедуры и выполните ее в соответствии с приведенными указаниями.**



### **INFO**

**Описание характеристик системы. Рекомендуем внимательно ознакомиться с содержанием этого раздела, для того чтобы понять следующие этапы.**

## 2 Примечания в отношении авторского права и информация о торговых марках

Названия устройств или компаний, упоминаемые в настоящем документе, являются торговыми марками или зарегистрированными торговыми знаками соответствующих компаний.

## 3 Правила техники безопасности



### **ОПАСНОСТЬ!**

**Высокий уровень опасности. Риск поражения электрическим током. При отсутствии иных указаний отключите питание устройства, перед тем как приступить к выполнению любой операции.**

- Перед тем, как приступить к выполнению любых операций, убедитесь в том, что источник питания устройства отключен.
- Электрическая система оснащается выключателем питания, который можно легко найти и использовать в случае необходимости.
- Не используйте кабели, которые кажутся изношенными или старыми.
- Система электропитания, к которой подключается устройство, должна иметь автоматический двухполюсный выключатель цепи при номинальном токе 16A max (20A max для Северная Америка). Минимальное расстояние между контактами автоматического выключателя цепи должно составлять 3mm. Выключатель цепи должен иметь защиту от тока КЗ на землю (дифференциальная защита) и защиту от перегрузки по току (термомагнитная защита).
- Устройство не годно для использования в местах где могут находиться дети.



### **ПРЕДУПРЕЖДЕНИЕ!**

**Средний уровень опасности.  
Данная операция крайне важна для обеспечения надлежащего функционирования системы. Внимательно ознакомьтесь с описанием процедуры и выполните ее в соответствии с приведенными указаниями.**

- Пред тем как включить питание, убедитесь в том, что устройство надежно зафиксировано.
- Любое изменение, которое выполняется без разрешения, явным образом предоставленного производителем, аннулирует гарантию.
- Техническое обслуживание должно проводиться только уполномоченным техническим персоналом.
- При установке устройства должны соблюдаться национальные правила.
- Устройство можно установить в любом положении.
- Все неподключенные провода должны быть изолированы.
- Производитель снимает с себя всю ответственность за повреждения любых перечисленных в настоящем документе устройств, которые связаны с небрежным обращением, использованием неоригинальных запасных частей, а также случаями проведения установки и технического обслуживания и ремонта неуполномоченными сотрудниками и сотрудниками, не имеющими необходимых навыков.
- Это устройство Класса А. При установке в жилых помещениях данное устройство может вызывать радиопомехи. В таком случае пользователю может потребоваться предпринять соответствующие меры.
- Все кабельные вводы или иные приспособления для подключения кабелей должны быть сертифицированы по стандартам UL и так или иначе соответствовать необходимым стандартам для достижения нужной степени герметичности.
- При наличии повреждений каких-либо деталей их ремонт или замена должны проводиться сотрудниками компании VIDEOTEC или под их наблюдением.
- При замене деталей всегда используйте оригинальные запасные части компании VIDEOTEC и тщательно соблюдайте инструкции по техническому обслуживанию, предоставляемые с каждым комплектом запасных частей.
- Во время установки используйте соответствующие средства индивидуальной защиты.
- Никогда и ни при каких обстоятельствах не выполняйте изменений или подключений, не предусмотренных настоящим руководством. Ненадлежащее использование оборудования может привести к возникновению серьезных опасных ситуаций, угрожающих безопасности персонала и системы.
- Используйте только оригинальные запасные части. Неоригинальные запасные части могут привести к возникновению пожара, электрического разряда или другой опасной ситуации.
- Подключите устройство к источнику питания в соответствии с указаниями на этикетке с маркировкой. Перед тем как продолжить установку, убедитесь, что линия питания надлежащим образом изолирована.



**INFO**

**Описание характеристик системы.  
Рекомендуем внимательно  
ознакомиться с содержанием этого  
раздела, для того чтобы понять  
следующие этапы.**

- Особых указаний по погрузочно-разгрузочным и транспортным операциям не существует. Подобные операции должен выполнять уполномоченный персонал в соответствии с общими правилами техники безопасности.
- Убедитесь в том, что приняты все необходимые меры для обеспечения безопасности персонала.
- Перед монтажом проверьте соответствие поставленных материалов спецификациям заказа, сверив идентификационные ярлыки (4.4 Этикетка с маркировкой продукта, страница 9).
- Устройство предназначено для установки в зоне ограниченного доступа, и монтаж должен быть выполнен квалифицированными техническими специалистами.
- Поскольку пользователь самостоятельно выбирает поверхность, на которой будет закреплено устройство, мы не предоставляем крепежные приспособления для надежной фиксации оборудования на определенной поверхности. За выбор крепежных приспособлений, подходящих для соответствующей поверхности, отвечает установщик. Рекомендуется использовать методы и материалы, которые способны выдерживать вес, превышающий вес устройства минимум в 4 раза.
- Категория установки (также называемая категорией перенапряжения) указывает на уровень сетевых скачков напряжения, которым подвержено оборудование. Категория зависит от места размещения оборудования и наличия каких-либо устройств защиты от скачков напряжения. Оборудование, устанавливаемое на промышленном объекте и напрямую подключаемое к магистральным линиям сети питания, относится к категории установки III. В этом случае необходимо снизить категорию перенапряжения до II. Этого можно добиться путем использования изолирующего трансформатора с заземленным экраном между первичной и вторичной обмоткой или путем установки устройств защиты от скачков напряжения (УЗСН), UL listed, на участке между фазой и нулем, а также нулем и землей. Сертифицированные устройства защиты от скачков напряжения должны обеспечивать многократное ограничение скачков напряжения и подходить для работы в следующих номинальных условиях: Тип 2 (УЗСН, постоянно подключенные к сети питания и предназначенные для установки на стороне нагрузки вспомогательного оборудования); номинальный ток разряда (In) мин. 20kA. Например, можно использовать: FERRAZ SHAWMUT, STT2240SPG-CN, STT2BL240SPG-CN с номиналом 120Vac/240Vac, (In=20kA). Максимальное расстояние между устройством и ограничителем перенапряжения составляет 5m.
- Устройство следует подключать через соответствующий источник бесперебойного питания (ИБП) в целях компенсации кратковременной посадки напряжения или кратковременного нарушения электроснабжения.
- Производитель не несет ответственности за любые повреждения, возникающие в результате неправильного использования указанного в настоящем руководстве оборудования. Помимо этого, производитель сохраняет за собой право изменять содержание руководства без предварительного уведомления. Представленная в настоящем руководстве документация прошла тщательную проверку. Однако производитель не несет ответственности за ее использование. Аналогичные условия предусмотрены в отношении любого лица или компании, привлеченных для составления и создания данного руководства.

## 4 Обозначение

### 4.1 Описание и обозначение типа устройства

COMB – это блок связи, оснащенный всем необходимым для подключения одной или нескольких IP или аналоговых камер и соответствующего омывателя.

COMB обеспечивает локальное питание низкого напряжения. Кроме того это устройство обеспечивает подключение Fast Ethernet благодаря встроенному Ethernet-коммутатору, оснащенный тремя портами RJ45 и одним портом SFP для оптоволоконного подключения. Кроме того внутренняя плата обеспечивает двойное шунтирование аналоговых видеосигналов и двойное шунтирование сигналов ввода/вывода в случае многоконтактных разъемов. Внутри устройства предусмотрено пространство для упрощения доступа к кабелям и удобства работы при выполнении операций подключения.

Функционирование коробки COMB гарантируется в случае следующих системных конфигураций:

- PTZ-камера компании VIDEOTEC с соответствующей системой омывателя VIDEOTEC или без нее.

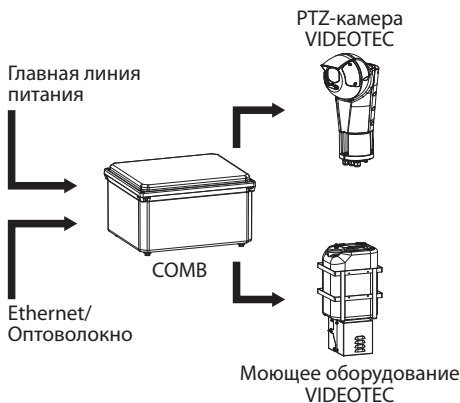


Рис. 1

- Одна или две стационарные камеры компании VIDEOTEC с соответствующей системой омывателя VIDEOTEC или без нее.

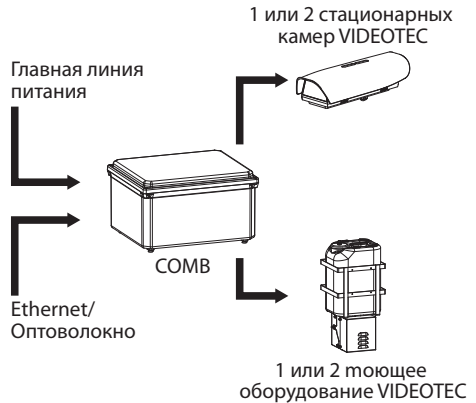


Рис. 2

- PTZ-камера компании VIDEOTEC и стационарная камера компании VIDEOTEC без системы омывателя.

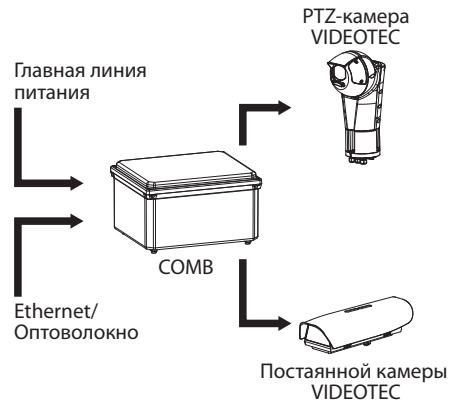


Рис. 3

## 4.2 Общий вид изделия

Ниже представлены основные компоненты устройства:

1. Коробка.
2. Крышка.
3. Фиксирующие фланцы.

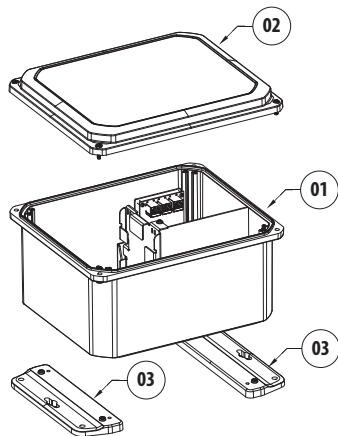


Рис. 4

## 4.3 Область применения

Рабочая температура: от -40°C до +70°C.

## 4.4 Этикетка с маркировкой продукта

См. ярлык на изделии.

### 4.4.1 Проверка маркировки

Перед тем как продолжить установку, убедитесь, что предоставленные материалы соответствуют спецификациям заказа, проверив этикетки с маркировкой.

Никогда и ни при каких обстоятельствах не выполняйте изменений или подключений, не предусмотренных настоящим руководством. Ненадлежащее использование оборудования может привести к возникновению серьезных опасных ситуаций, угрожающих безопасности персонала и системы.

## 4.5 Идентификация модели

COMB - ОПЦИИ КОНФИГУРАЦИЙ				
	Входное напряжение		Редакция	
COMB	1	от 220Vac до 230Vac	00	A
	2	24Vac		
	3	от 120Vac до 127Vac		

Табл. 1.

## 5 Подготовка устройства к использованию

### 5.1 Распаковка

При получении устройства убедитесь, что упаковка не повреждена и не имеет явных признаков падения или царапин.

В случае наличия видимых повреждений незамедлительно свяжитесь с поставщиком.

В случае возврата неисправного устройства мы рекомендуем использовать оригинальную упаковку для транспортировки.

Сохраняйте упаковку на случай, если потребуется отправить устройство на ремонт.

### 5.2 Комплект оборудования

Проверьте комплект оборудования на соответствие представленному ниже списку материалов:

- Соединительная коробка
- Руководства по эксплуатации
- Фиксирующие фланцы
- Кабельные стяжки (3)
- Болты и винты

### 5.3 Безопасная утилизация упаковочных материалов

Упаковочные материалы могут подвергаться переработке. Технический специалист установщика отвечает за сортировку материалов для переработки, а также за соблюдение требований законодательства, действующего в месте установки устройства.

## 5.4 Открытие изделия



При открытии и закрытии устройства следите за тем, чтобы не повредить прокладку крышки.

Открутите 4 винта и снимите крышку.

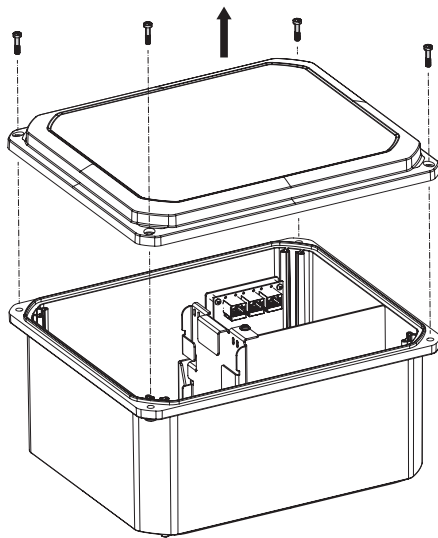


Рис. 5

## 5.5 Ввод кабелей

**!** Для обеспечения необходимой степени защиты устройства (IP) используйте кабельные вводы с подходящей степенью защиты (IP).

**!** Для сохранения сертификации UL используемые кабельные муфты должны обладать сертификатом UL.

**!** Все кабельные муфты должны быть пригодными для условий эксплуатации и должны быть правильно установлены.

Устройство поставляется без отверстий. Предполагается, что отверстия в коробке будут просверлены в ее короткой стороне, как показано на рисунке (Рис. 6, страница 11).

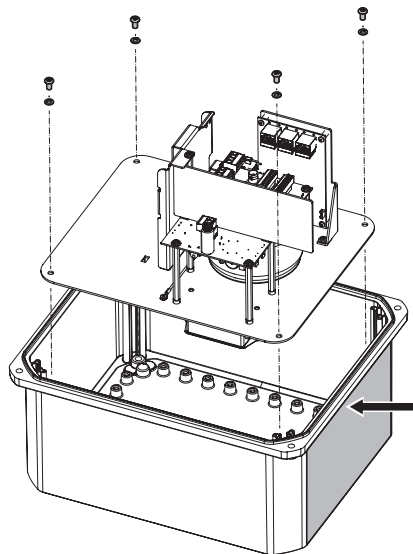


Рис. 6

Перед тем, как сверлить отверстия, снимите внутренний блок (01), состоящий из опорной пластины, платы с разъемами, коммутатора, трансформатора и сплайс-пластины.

Чтобы снять внутренний блок (01), открутите четыре крепежных винта (02).

Удерживая перегородку платы (03), поднимите внутренний блок (01) и снимите коробку (04) (Рис. 7, страница 11 и Рис. 8, страница 11).

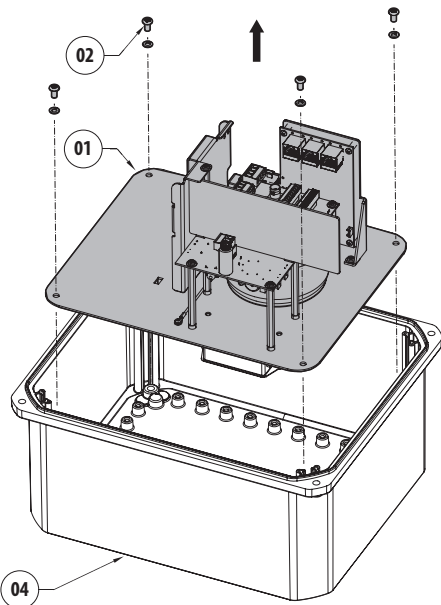


Рис. 7

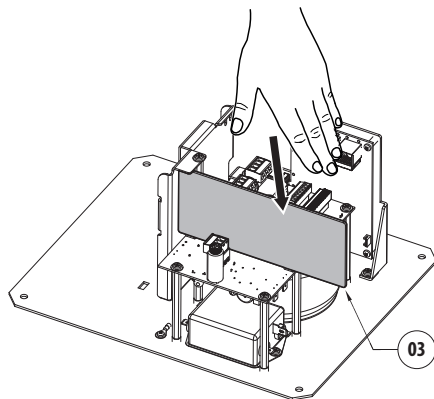


Рис. 8

На последних страницах этого руководства приведены два примера шаблонов для правильного сверления отверстий (DRILLING TEMPLATE - A, DRILLING TEMPLATE - B).

Рекомендуется применение одного из шаблонов для сверления, указанных в руководстве, в зависимости от требуемой конфигурации.

**Для подключения изделия из линейки NXPTZ или NXPTZ SERIES2 к коробке COMB, необходимо сделать в ней отверстие диаметром 32mm.**

После того, как необходимое отверстие сделано, соберите кабельные вводы (не входят в комплект поставки) и, удерживая перегородку платы (03), снова вставьте внутренний блок (01) в коробку (04). Закрепите опорную пластину внутреннего блока (01) при помощи выкрученных до этого винтов (02) (Рис. 9, страница 12).

**Будьте внимательны при монтаже. Момент затяжки: 2Nm.**

**не наносите герметик для резьбовых соединений.**

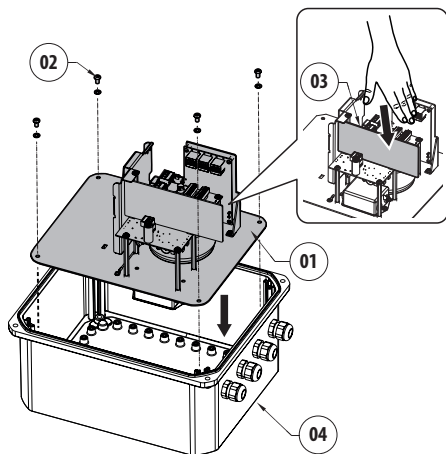


Рис. 9

## 5.6 Установка фиксирующих фланцев

Установите фиксирующие фланцы, как показано на рисунке, при помощи винтов, входящих в комплект поставки.

**Будьте внимательны при монтаже. Момент затяжки: 2Nm.**

**не наносите герметик для резьбовых соединений.**

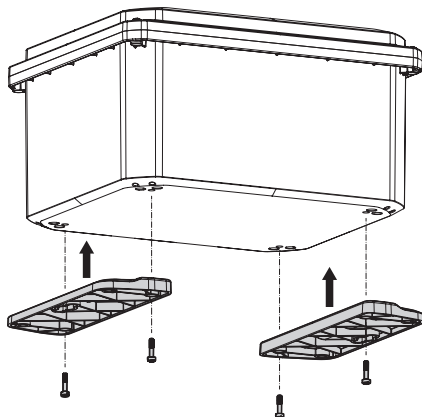


Рис. 10

## 5.7 Закрытие изделия

**При открытии и закрытии устройства следите за тем, чтобы не повредить прокладку крышки.**

Убедитесь в отсутствии грязи и инородных частиц.

Затяните крышку при помощи четырех винтов.

**Будьте внимательны при монтаже. Момент затяжки винтов: 1.3Nm.**

**не наносите герметик для резьбовых соединений.**

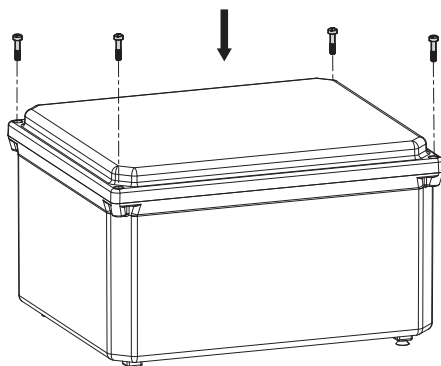


Рис. 11

## 6 Монтаж

**!** Перед установки оборудования снимите синю прозрачную защитную плёнку с крышки.

### 6.1 Подключение кабелей

После снятия крышки можно получить доступ к съемной плате с разъемами и коммутатору с тремя разъемами RJ45 и гнездом SFP.

#### 6.1.1 Описание платы разъемов

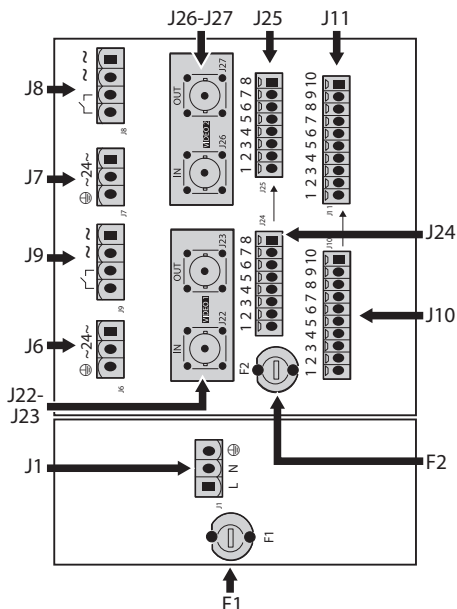


Рис. 12

ОПИСАНИЕ ПЛАТЫ		
Разъем	Функция	Клеммы - Номинальное сечение используемых кабелей
J1	Главная линия питания	от 0.2mm <sup>2</sup> (24AWG) до 2.5mm <sup>2</sup> (13AWG)
F1	Предохранитель главной линии питания	-
J6	Выход питания 24Vac	от 0.2mm <sup>2</sup> (24AWG) до 2.5mm <sup>2</sup> (13AWG)
J7	Выход питания 24Vac	от 0.2mm <sup>2</sup> (24AWG) до 2.5mm <sup>2</sup> (13AWG)
J8	выход 24Vac, для омывателя и входа реле управления от камеры VIDEOTEK	от 0.2mm <sup>2</sup> (24AWG) до 2.5mm <sup>2</sup> (13AWG)
J9	выход 24Vac, для омывателя и входа реле управления от камеры VIDEOTEK	от 0.2mm <sup>2</sup> (24AWG) до 2.5mm <sup>2</sup> (13AWG)
J22	BNC (Видео 1) IN	-
J23	BNC (Видео 1) OUT	-
J26	BNC (Видео 2) IN	-
J27	BNC (Видео 2) OUT	-
F2	Предохранитель выхода 24Vac	-
J24	8-контактный разъем IN (контакты разъема J24 аналогичны контактам разъема J25)	от 0.2mm <sup>2</sup> (24AWG) до 1.0mm <sup>2</sup> (17AWG)
J25	8-контактный разъем OUT (контакты разъема J24 аналогичны контактам разъема J25)	от 0.2mm <sup>2</sup> (24AWG) до 1.0mm <sup>2</sup> (17AWG)
J10	10-контактный разъем IN (контакты разъема J10 аналогичны контактам разъема J11)	от 0.2mm <sup>2</sup> (24AWG) до 1.0mm <sup>2</sup> (17AWG)
J11	10-контактный разъем OUT (контакты разъема J10 аналогичны контактам разъема J11)	от 0.2mm <sup>2</sup> (24AWG) до 1.0mm <sup>2</sup> (17AWG)

Табл. 2

**!** Длина зачистки жилы: 5mm.

## 6.1.2 Подключение главной линии питания



**ПРЕДУПРЕЖДЕНИЕ! Система типа НТС-1**  
**Это система типа НТС-1, не подключайте ее к СНБН-схемам.**

В зависимости от модели на устройство может подаваться разное напряжение сети питания. Значение напряжения сети указано на идентификационной этикетке устройства (4.4 Этикетка с маркировкой продукта, страница 9).

Подключите кабели питания к разъему J1, в соответствии с указаниями трафаретной печати. Подключите кабель защитного заземления к разъему J1, в соответствии с указаниями трафаретной печати (6.1.1 Описание платы разъемов, страница 13).

ПОДКЛЮЧЕНИЕ ЛИНИИ ПИТАНИЯ	
Цвет	Контакт клеммы
<b>Источник питания от 220Vac до 230Vac</b>	
Синий	N (Нейтраль)
Коричневый	L (Фаза)
Желтый/Зеленый	⊕
<b>Источник питания 24Vac</b>	
Определяется установщиком	N (Нейтраль)
Определяется установщиком	L (Фаза)
Желтый/Зеленый	⊕
<b>Источник питания от 120Vac до 127Vac</b>	
Синий	N (Нейтраль)
Коричневый	L (Фаза)
Желтый/Зеленый	⊕

Табл. 3

## 6.1.3 Подключение изделий к линии питания 24Vac

Подключите кабели питания 24Vac тока устройств (PTZ или фиксированной камеры) к разъемам J6 и J7. (6.1.1 Описание платы разъемов, страница 13).

ПОДКЛЮЧЕНИЕ ВЫХОДНОЙ ЛИНИИ ПИТАНИЯ 24VAC	
Цвет	Контакт клеммы
<b>Источник питания 24Vac</b>	
Определяется установщиком	~
Определяется установщиком	~
Желтый/Зеленый	⊕

Табл. 4

## 6.1.4 Многоконтактные разъемы (реле, аварийные сигналы, последовательная линия)

Спецификации реле и сигналов тревоги можно найти в руководствах по установке подключаемых устройств. Используйте многоконтактные разъемы на плате разъемов для передачи сигналов от устройств к главной системе, учитывая, что контакты разъема J24 соответствуют контактам разъема J25, а контакты разъема J10 соответствуют контактам разъема J11 (6.1.1 Описание платы разъемов, страница 13).

## 6.1.5 Разъемы BNC (аналоговое видео)

Обратитесь к руководствам по установке подключаемых устройств, чтобы узнать характеристики аналоговых видеосигналов. Используйте разъемы BNC на плате разъемов для передачи сигналов от устройств к основной системе, учитывая, что разъем J22 дублирует J23, а J26 дублирует J27 (6.1.1 Описание платы разъемов, страница 13).



### 6.1.6 Разъемы омывателя (WASNХ)

Соответствующие технические характеристики приведены в руководстве по установке системы омывателя. Подключите контакты реле управления PTZ или фиксированных камер VIDEOTEC и кабелей питания (24Vac) омывателя согласно следующей схеме (Рис. 13, страница 15).

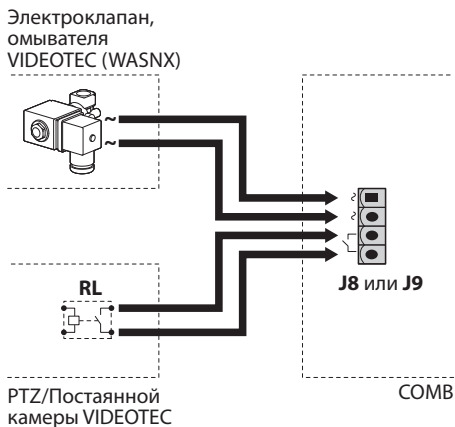


Рис. 13

### 6.1.7 Разъемы омывателя (WASPT)

Соответствующие технические характеристики приведены в руководстве по установке системы омывателя. Подключите контакты реле управления PTZ или фиксированных камер VIDEOTEC и кабелей питания (24Vac) омывателя согласно следующей схеме (Рис. 14, страница 15).

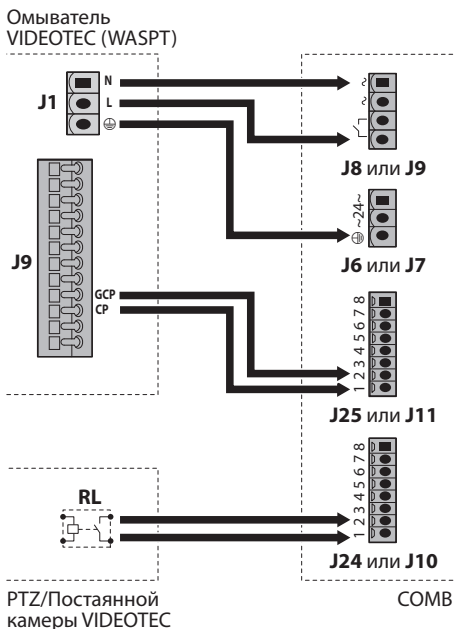


Рис. 14

## 6.1.8 Описание платы коммутатора

### ОПИСАНИЕ ПЛАТЫ КОММУТАТОРА

Разъем	Функция
J1	RJ45 Разъемом Ethernet
J3	RJ45 Разъемом Ethernet
J5	RJ45 Разъемом Ethernet
J2	Разъем SFP

Табл. 5

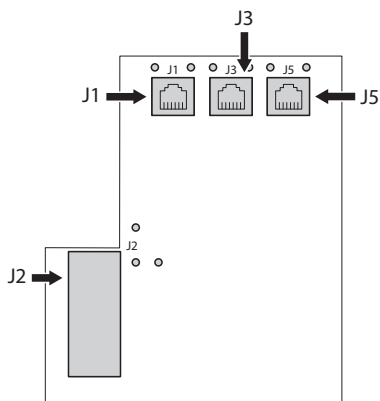


Рис. 15

На работу разъемов RJ45 указывают два соответствующих светодиода:

- Желтый светодиод: включение светодиода указывает на активное соединение.
- Зеленый светодиод: включенный светодиод указывает, что скорость соединения составляет 100Mbps; выключенный светодиод указывает, что скорость соединения составляет 10Mbps.

На работу разъема SFP указывают три соответствующих светодиода:

- Желтый светодиод: включение светодиода указывает на активное соединение.
- Красный светодиод: светящийся светодиод сообщает о нормальном прохождении оптоволоконного сигнала
- Зеленый светодиод: включенный светодиод указывает, что скорость соединения составляет 100Mbps.

## 6.1.9 Подключение кабелей Ethernet

Подключаемые к сети устройства можно без разницы подключать к портам RJ45 и/или к модулю SFP.

Плата коммутатора способна управлять до 3 портами RJ45 и оснащена слотом для модулей SFP. отключите кабели Ethernet к портам RJ45, разъемам J1, J3, J5. Вставьте модуль SFP (не прилагается) в слот J2 на плате коммутатора (6.1.8 Описание платы коммутатора, страница 16).

Для ознакомления с соответствующими характеристиками откройте руководство по эксплуатации модуля SFP.



**VIDEOTEC протестировал различные типы SFP-модулей. Для получения дополнительной информации обратитесь в сервисный центр VIDEOTEC.**

Спецификация сетевого кабеля Ethernet приведена в руководствах по установке подключаемых устройств.

## 6.1.10 Использование соединительного лотка

COMB оснащен соединительным лотком для подключения оптических волокон.

Открутите винты (01) и извлеките соединительный лоток (02) (Рис. 16, страница 16).

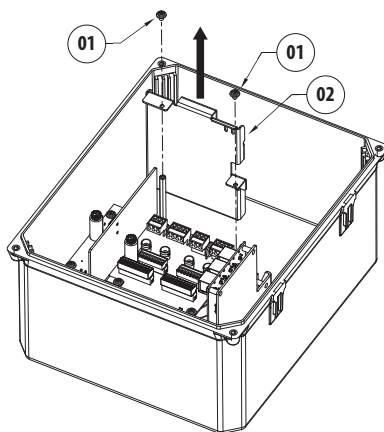


Рис. 16

Расположите оптоволоконный кабель так, как показано на рисунке, для его крепления используйте нейлоновые стяжки, входящие в комплект поставки (Рис. 17, страница 17).

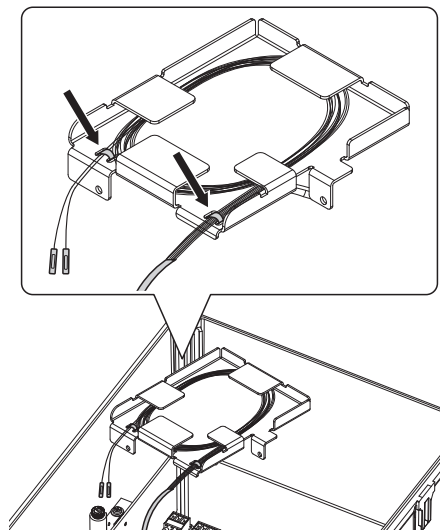


Рис. 17

Поместите соединительный лоток на место и закрепите его ранее снятыми винтами (Рис. 18, страница 17).

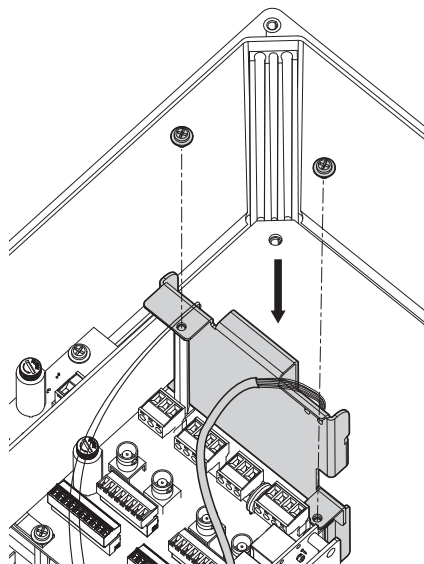


Рис. 18



Нанесите резьбовой фиксатор на крепежные винты (Loctite 243®).



Будьте внимательны при монтаже.  
Момент затяжки винтов: 1.6Nm.

## 7 Включение

Для того чтобы включить устройство, подключите источник питания.

Для того чтобы выключить устройство, отключите источник питания.

## 8 Техническое обслуживание

### 8.1 Замена предохранителей



**ПРЕДУПРЕЖДЕНИЕ!** Для обеспечения постоянной защиты от риска возгорания при замене предохранителей следует использовать предохранители того же типа и номинала. Только обслуживающий персонал может проводить замену предохранителей.

При необходимости можно заменить предохранители платы подключения (6.1.1 Описание платы разъемов, страница 13). Новые предохранители должны соответствовать указаниям, приведенным в таблице.

ЗАМЕНА ПРЕДОХРАНИТЕЛЕЙ		
Напряжение сети питания	Предохранитель (F1)	Предохранитель (F2)
от 220Vac до 230Vac, 50/60Hz	T 4A H 250V 5x20	T 8A H 250V 5x20
24Vac, 50/60Hz	T 8A H 250V 5x20	T 8A H 250V 5x20
от 120Vac до 127Vac, 50/60Hz	T 4A H 250V 5x20	T 8A H 250V 5x20

Табл. 6

## 9 Очистка



Частота операций зависит от среды эксплуатации изделия.



Не используйте этиловый спирт, растворители, галогенированные углеводороды, сильные кислоты и щелочи. Подобные вещества могут необратимо повредить поверхность устройства.

Очистку следует выполнять с помощью мягкого мыльного раствора.

## 10 Информация об утилизации и переработке

Европейская директива 2012/19/EC Об Отходах Электрического и Электронного Оборудования (RAEE) предписывает, что данные устройства не следует утилизировать вместе с твердыми бытовыми отходами; их сбор осуществляется отдельно для оптимизации потока их утилизации и переработки содержащихся в них материалов, а также снижения воздействия на здоровье людей и окружающую среду в связи с присутствием потенциально опасных веществ.



**Значок с изображением зачеркнутого мусорного контейнера присутствует на всей продукции для напоминания об указанном требовании.**

Отходы могут доставляться в соответствующие центры по сбору отходов или бесплатно передаваться дистрибьютору, у которого было куплено оборудование, в момент покупки новой аналогичной продукции или без обязательства совершить новую покупку в случае оборудования, чей размер не превышает 25см.

Для получения более подробной информации о надлежащей утилизации данных устройств вы можете обратиться в уполномоченную государственную организацию.

## 11 Поиск и устранение неисправностей



Обратитесь в техническую поддержку или авторизованный сервисный центр компании VIDEOTECH в случае, если перечисленные ниже проблемы не удается устранить или если вы столкнулись с не описанными здесь проблемами.

При обращении за поддержкой в компанию VIDEOTECH предоставьте серийный номер и идентификационный код модели.

### НЕИСПРАВНОСТЬ

**Устройство не включается.**

ПРИЧИНА

Неправильный монтаж проводки, сгоревший предохранитель.

РЕШЕНИЕ

Убедитесь в том, что соединения выполнены надлежащим образом. Проверьте правильность работы предохранителей, и при выходе предохранителей из строя замените их на предохранители указанных моделей.

# 12 Технические характеристики

## 12.1 Механические хар.

Материал: Поликарбонат

точки крепления: 6, Диаметр 8.4mm

Внешние размеры (WxHxL): 368.3x195.4x285.5mm

кабельные муфты, не поставляемые вместе с продуктом

Сплис лоток для размещения волоконной оптики, включенной в продукт

Вес устройства: 6.6kg

## 12.2 Электрические хар.

COMB поддерживает только продукцию VIDEOTEC с питанием 24Vac.

Доступное входное напряжение:

- от 220Vac до 230Vac  $\pm 10\%$ , 50/60Hz
- 24Vac  $\pm 10\%$ , 50/60Hz
- от 120Vac до 127Vac  $\pm 10\%$ , 50/60Hz

Напряжение выхода: 24Vac, 50/60Hz, 200VA (120VA max UL 62368-1)

Возможные конфигурации оборудования:

- PTZ-камера компании VIDEOTEC с соответствующей системой омывателя VIDEOTEC или без нее.
- Одна или две стационарные камеры компании VIDEOTEC с соответствующей системой омывателя VIDEOTEC или без нее.
- Стационарная камера компании VIDEOTEC и PTZ-камера компании VIDEOTEC без системы омывателя.

## 12.3 Сеть

4 канала Ethernet-коммутатора:

3 порта RJ45

- Ethernet подключение: 10BASE-T/100BASE-T

1 порт SFP (компактный приемопередатчик)

- Ethernet подключение: 100BASE-FX
- Напряжение сети питания: 3.3V
- Standard: Соответствует MSA

Модуль SFP (не поставляется VIDEOTEC) должен отвечать следующим требованиям:

- Лазер: Class 1, отвечает требованиям EN60825-1
- Сертификация согласно UL/IEC 60950-1 или UL/IEC 62368-1

## 12.4 Аналоговый видео сигнал

2 байпаса для аналоговых видео сигналов с BNC-коннекторами

## 12.5 Интерфейс ввода-вывода

2 байпаса для входов/выходов сигналов с многотыревыми разъемами

## 12.6 Окружающая среда

Для установки внутри помещений и наружной установки

Рабочая температура: от -40°C до +70°C

Относительная влажность: от 5% до 95%

## 12.7 Сертификаты

Электробезопасность (CE): EN60950-1, IEC60950-1, EN62368-1, IEC62368-1

Электромагнитная совместимость (CE): EN50130-4, EN55032 (Класс A), EN61000-6-4, EN61000-3-2, EN61000-3-3

RoHS (CE): EN50581

Наружная установка (CE): EN60950-22, IEC60950-22

Испытание на виброустойчивость: EN50130-5, EN60068-2-6

Сертификат UL (UL60950-1, CAN/CSA C22.2 No. 60950-1-07, UL62368-1, CAN/CSA C22.2 No. 62368-1-14): cULus Listed

Электромагнитная совместимость (Северная Америка): FCC part 15 (Класс A), ICES-003 (Класс A)

Степень защиты IP (EN/IEC60529): IP66, IP67, IP68, IP69

Степень защиты IK: IK10

Степень защиты Тип (UL50E): 4X, 6P

Сертификат EAC

Сертификат KC (только для кода COMB100A)

## 12.8 Сертификаты - Применение на железной дороге

Соответствие нормативным требованиям для применения на железной дороге: EN50121-4 (для продукции требуется дополнительный фильтр SURGEPR)


## 12.9 Сертификаты - Морское применение

Сертификат соответствия требованиям Lloyd's Register Marine Type Approval:  
Test Specification Number 1 (ENV1, ENV2, ENV3, ENV5)

Электромагнитная совместимость: EN60945

Защита от солевого тумана: EN60068-2-52

## 13 Технические чертежи

 Размеры указаны в миллиметрах.

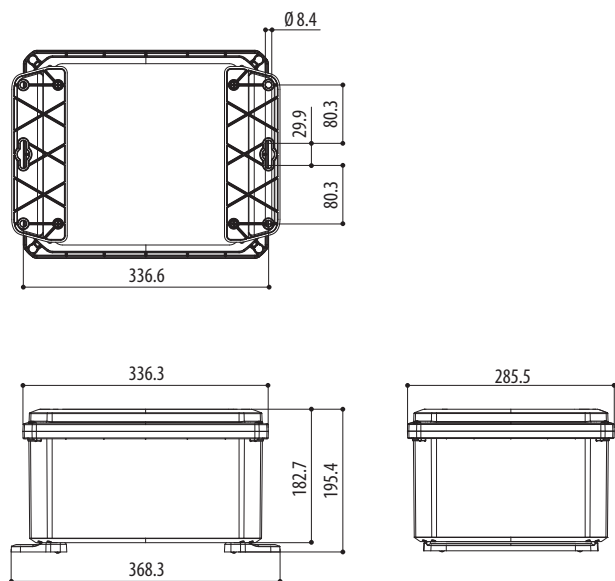


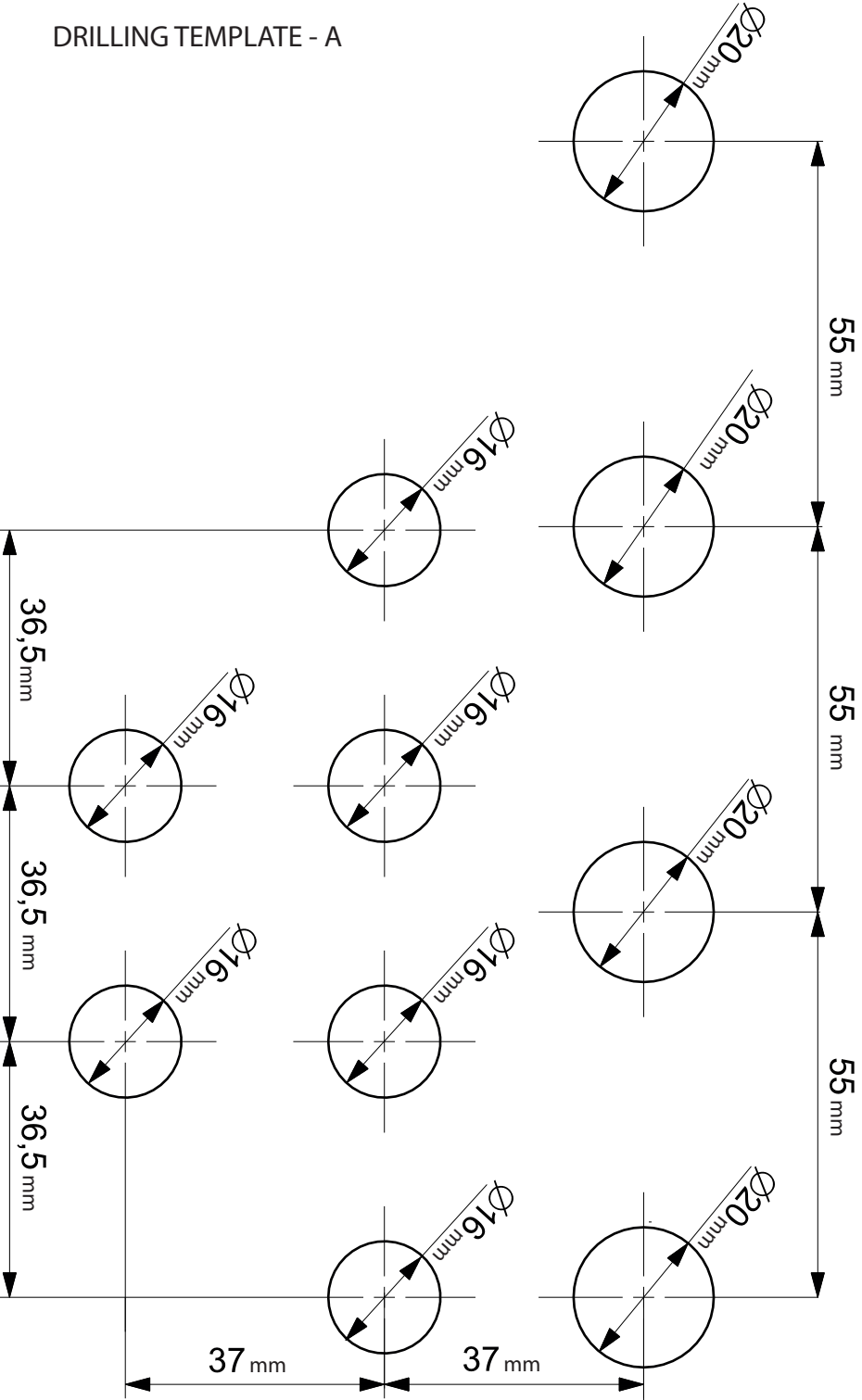
Рис. 19 COMB.



**Headquarters Italy** VIDEOTECH S.r.l.  
Via Friuli, 6 - I-36015 Schio (VI) - Italy  
Tel. +39 0445 697411 - Fax +39 0445 697414  
Email: [info@videotec.com](mailto:info@videotec.com)  
[www.videotec.com](http://www.videotec.com)

DRILLING TEMPLATE - A

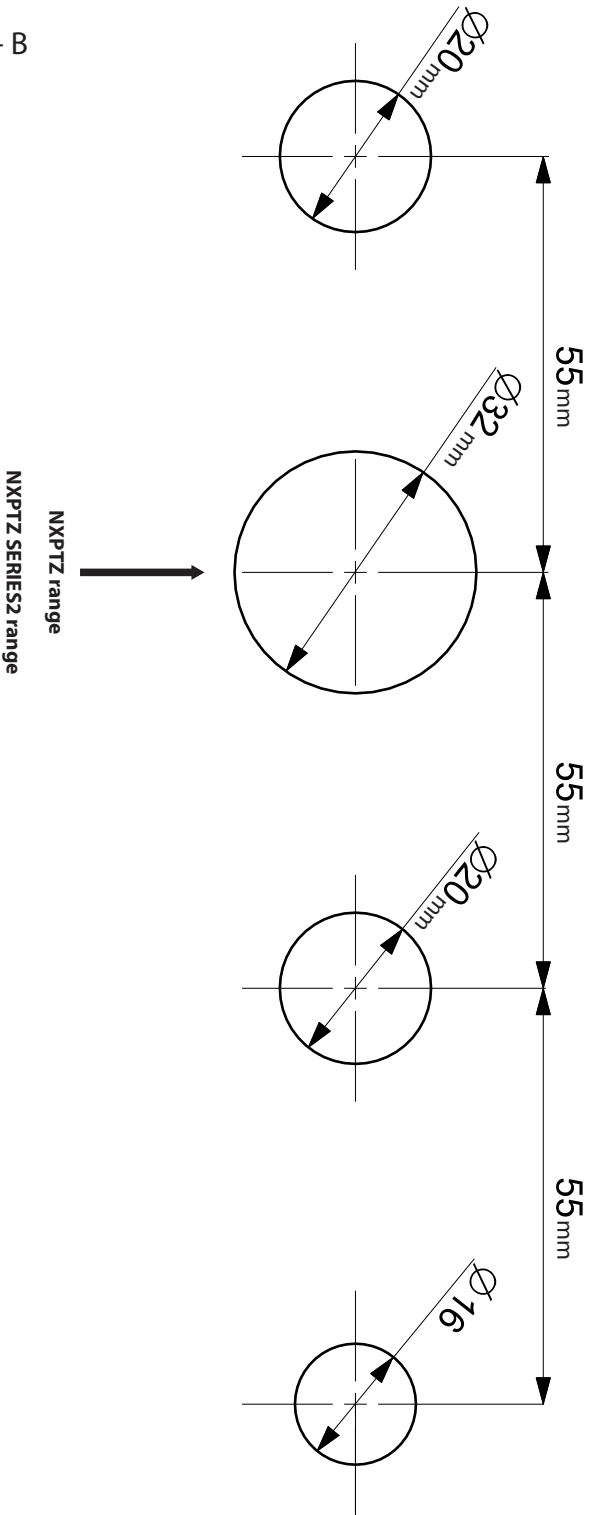
UP







UP



DRILLING TEMPLATE - B







**Headquarters Italy** Videotec s.r.l.  
Via Friuli, 6 - I-36015 Schio (VI) - Italy  
Tel. +39 0445 697411 - Fax +39 0445 697414  
Email: [info@videotec.com](mailto:info@videotec.com)  
[www.videotec.com](http://www.videotec.com)

**MNVCCOMB\_2222**