

NXWBPTH1

WALL BRACKET FOR NXPTH



DESCRIPTION

Heavy-duty bracket, constructed from AISI 316L thick gauge stainless steel. It is particularly suitable for stainless steel Pan & Tilt motors. It can be combined with NXCOL and NXCW pole and corner mount adaptors.

TECHNICAL DATA

MECHANICAL

Bracket for: NXPTH

Suitable for: NXCOL, NXCW, NXFWBT

Made of AISI 316L electropolished stainless steel

Load rating: 70kg (154lb)

Length: 596mm (23.5in)

Unit weight: 4.8kg (10.6lb)

PART NUMBER

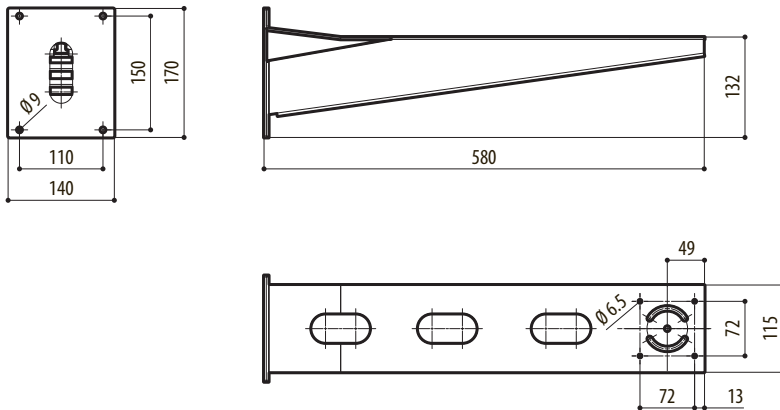
NXWBPTH1 Wall bracket for stainless steel P&Ts

PACKAGE

Model Number	Weight	Dimensions (WxHxL)	Master carton
NXWBPTH1	5kg (11lb)	18x60x15.5cm (7.1x23.6x6.1in)	4

TECHNICAL DRAWINGS

The indicated measurements are expressed in millimetres.



NXWBPTH1