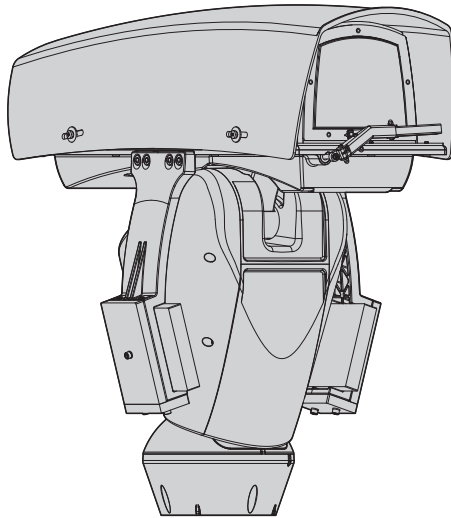




ULISSE RADICAL

PTZ unit with integrated camera and lens



EN English - Instructions manual

IT Italiano - Manuale di istruzioni

FR Français - Manuel d'instructions

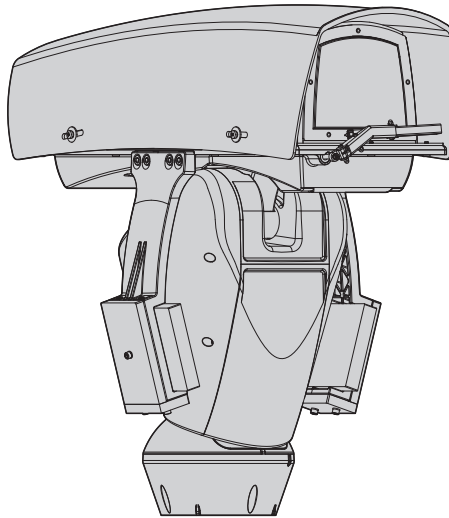
DE Deutsch - Bedienungsanleitung

RU Русский - Руководство по эксплуатации



ULISSE RADICAL

PTZ unit with integrated Kamera and lens



Contents

1 About this manual	7
1.1 Typographical conventions.....	7
2 Notes on copyright and information on trademarks.....	7
3 Safety rules.....	7
4 Identification.....	10
4.1 Product description and type designation.....	10
4.2 Product markings	10
4.2.1 Checking the markings	10
5 Versions	11
5.1 LED illuminators	11
6 Preparing the product for use	11
6.1 Safety precautions before use.....	11
6.2 Unpacking	12
6.2.1 Removal of the protective packaging.....	12
6.2.1.1 How to open the housing.....	12
6.2.1.2 Remove the protective packaging	12
6.3 Contents.....	13
6.4 Safely disposing of packaging material.....	13
6.5 Preparatory work before installation	13
6.5.1 Attaching the bracket	13
6.5.2 Cables management	13
7 Installation	14
7.1 Connecting the cables to the base.....	14
7.2 Fixing the base to the support.....	15
7.3 Connector board description	15
7.4 Connection of the power supply line.....	16
7.4.1 24Vac power line connection.....	17
7.4.2 120Vac and 230Vac power line connection.....	17
7.4.3 Connection of the alarm inputs, of the twilight switch and of the relays.....	18
7.5 Connection of the Ethernet cable.....	18
7.6 Fixing the upper body.....	19
7.7 Counterweights installation	19
7.8 LED illuminators installation	20
7.8.1 Counterweight removal.....	20
7.8.2 Fitting the illuminator on the bracket.....	20
7.9 Connection of the LED illuminators.....	21
7.10 Setting of the LED illuminators and synchronization mode with the camera.....	21
7.10.1 Description of the LED illuminator	21
7.10.2 Synchronisation with an external twilight switch.....	22
7.10.3 Synchronising the unit with the LED illuminators	22
7.10.4 Manually activate the LED illuminators	22
7.10.5 LED illuminator switching on threshold adjustment.....	23

7.10.6 LED illuminator power adjustment	23
7.11 Fastening of the wiper blade	24
8 Switching on	25
9 Configuration	26
9.1 Web interface	26
9.1.1 Home.....	26
9.1.2 User Controls.....	27
9.1.3 Device Parameters.....	28
9.1.4 Device Statistics	28
9.1.5 Network Configuration.....	28
9.1.6 User Configuration	29
9.1.7 Movement Parameters	29
9.1.7.1 Autopan	30
9.1.7.2 Patrol.....	30
9.1.7.3 Motions Recall.....	30
9.1.8 Preset Parameters.....	30
9.1.9 Preset Parameters (Advanced)	30
9.1.10 Digital I/O	31
9.1.11 Washer.....	31
9.1.12 Camera Parameters	32
9.1.13 Tools	32
9.1.14 Factory Default.....	33
9.2 VTTunnel.....	33
10 Accessories	34
10.1 Washer	34
10.1.1 Washing system connection	34
10.2 Wall mount.....	35
10.3 Parapet bracket.....	35
10.4 Power supply with illuminator control	35
11 Maintaining.....	36
11.1 Fuses replacement	36
12 Cleaning	36
12.1 Window and plastic cover cleaning	36
13 Disposal of waste materials	36
14 Troubleshooting	36
15 Technical data	37
15.1 General.....	37
15.2 Mechanical.....	37
15.3 Electrical	37
15.4 Communications	37
15.5 Protocols.....	37
15.6 Camera	38
15.7 Lenses.....	38
15.8 Environment.....	38
15.9 Certifications.....	38

1 About this manual

Before installing and using this unit, please read this manual carefully. Be sure to keep it handy for later reference.

1.1 Typographical conventions



DANGER!

High level hazard.

Risk of electric shock. Disconnect the power supply before proceeding with any operation, unless indicated otherwise.



DANGER!

Hot surface.

Avoid contact. Surfaces are hot and may cause personal injury if touched.



DANGER!

Mechanical hazard.

Risk of crushing or shearing.



CAUTION!

Medium level hazard.

This operation is very important for the system to function properly. Please read the procedure described very carefully and carry it out as instructed.



INFO

Description of system specifications. We recommend reading this part carefully in order to understand the subsequent stages.

2 Notes on copyright and information on trademarks

The quoted names of products or companies are trademarks or registered trademarks.

3 Safety rules



CAUTION! The electrical system to which the unit is connected must be equipped with a 20A max automatic bipolar circuit breaker. This circuit breaker must be of the Listed type. The minimum distance between the contacts must be 3mm (0.1in). The circuit breaker must be provided with protection against the fault current towards the ground (differential) and the overcurrent (magnetothermal).



CAUTION! The device must be installed only and exclusively by qualified technical personnel.



CAUTION! For continued protection against risk of fire, replace only with same type and rating of fuse. Fuses must be replaced only by service personnel.



CAUTION! TNV-1 installation type. The installation is type TNV-1, do not connect it to SELV circuits.



CAUTION! In order to reduce the risk of fire, only use UL Listed or CSA certified cables sizes greater than or equal to 0.13mm² (26 AWG).

- The manufacturer declines all responsibility for any damage caused by an improper use of the appliances mentioned in this manual. Furthermore, the manufacturer reserves the right to modify its contents without any prior notice. The documentation contained in this manual has been collected with great care. The manufacturer, however, cannot take any liability for its use. The same thing can be said for any person or company involved in the creation and production of this manual.

- Before starting any operation, make sure the power supply is disconnected.
- Do not use cables that seem worn or old.
- Never, under any circumstances, make any changes or connections that are not shown in this handbook. Improper use of the appliance can cause serious hazards, risking the safety of personnel and of the installation.
- Use only original spare parts. Non-original spare parts could cause fire, electrical discharge or other hazards.
- Before proceeding with installation, check the supplied material to make sure it corresponds to the order specification by examining the identification labels (4.2 Product markings, page 10).
- This device was designed to be permanently installed on a building or on a suitable structure. The device must be installed permanently before any operation.
- Installation category (also called Overvoltage Category) specifies the level of mains voltage surges that the equipment will be subjected to. The category depends upon the location of the equipment, and on any external surge protection provided. Equipment in an industrial environment, directly connected to major feeders/short branch circuits, is subjected to Installation Category III. If this is the case, a reduction to Installation Category II is required. This can be achieved by use of an insulating transformer with an earthed screen between primary and secondary, or by fitting listed Surge Protective Devices (SPDs) from live to neutral and from neutral to earth. Listed SPDs shall be designed for repeated limiting of transient voltage surges, suitable rated for operating voltage and designated as follows: Type 2 (Permanently connected SPDs intended for installation on the load side of the service equipment overcurrent device); Nominal Discharge Current (I_n) 20kA min. For example: FERRAZ SHAWMUT, STT2240SPG-CN, STT2BL240SPG-CN rated 120Vac/240Vac, ($I_n=20kA$). Maximum distance between installation and reduction is 5m.
- A disconnecting device, readily and easily accessible, must be incorporated in the electrical system of the building for rapid intervention.
- The separate protective earthing terminal provided on this product shall be permanently connected to earth.
- Hazardous moving parts. Keep fingers and other body parts away.
- Connect the device to a power source corresponding to the indications given on the marking label. Before proceeding with installation make sure that the power line is properly isolated. The supply voltage should never exceed the limit ($\pm 10\%$).
- Power supply must be provided with a SELV type, 24Vac, 8A isolated source derived from a double isolation UL Listed transformer specially protected in output.
- The device should be mounted so that it is accessible only to the technician/installer because the moving parts constitute a residual risk of injury caused by movement of said parts.
- Attach the Dangerous Moving Parts label near the device. (Fig. 3, page 11).
- Do not use the appliance in the presence of inflammable substances.
- To connect the power supply line use the appropriate junction-box (UPTJBUL). For further information, refer to the product use and installation manual.

- Do not allow children or unauthorised people to use the appliance.
- The appliance should only be considered switched off when the power supply has been disconnected and the connecting cables to other devices have been removed.
- Only skilled personnel should carry out maintenance on the device. When carrying out maintenance, the operator is exposed to the risk of electrocution and other hazards.
- Use only the accessories indicated by the manufacturer. Any change that is not expressly approved by the manufacturer will invalidate the guarantee.
- Before connecting all the cables make sure the device is properly connected to the earth circuit.
- If the device has to be removed from the installation, always disconnect the earth cable last.
- Take all necessary precautions to prevent the apparatus from being damaged by electrostatic discharge.
- The unit has been made for connection using a 3-pole cable. To make a correct connection to the earth circuit, follow the instructions in this handbook.
- Handle the unit with great care, high mechanical stress could damage it.
- Make especially sure that the power supply line is insulated at a sufficient distance from all the other cables, including lightning protection devices.
- If it is necessary to transport the device, this should be done with great care. Abrupt stops, bumps and violent impact could damage the unit or injure the user.

4 Identification

4.1 Product description and type designation

ULISSE RADICAL is the first ready to use Full HD network PTZ system from Videotec that integrates exceptional combinations of lens and camera, Full HD 1080p, 60fps and 1/2" sensor.

To meet the most demanding video surveillance specifications this PTZ unit can be equipped in housing with optical 18x or 33x.

ULISSE RADICAL is certified ONVIF Profile S and is compatible with the majority of VMS on the market: for a complete control, the unit implements the auxiliary controls for wiper, illuminator and heater.

If the VMS does not support these functions, ULISSE RADICAL is equipped with the PTZ Assistant, an application that enhances the desktop and allows the use of the P&T functions without limitations.

The exceptional smoother tracking is guaranteed by the powerful motors even at a minimum speed of 0.02°/sec.

The performance remains optimal even in complete darkness thanks to powerful LED illuminators that can reach distances of up to 200m.

ULISSE RADICAL is guaranteed without restrictions for 3 years by the manufacturer, camera and motor included.

ULISSE RADICAL with 33x zoom features a thermal compensation system and Visible Cut Filter

Due to its characteristics of accuracy, reliability and robustness, this PTZ camera is ideal solution for the video control of large outdoor areas, including: border patrol, harbour surveillance, long distance perimeter surveillance, traffic and highways control, military installations ...

4.2 Product markings

i Pan & tilt devices have a label complying with CE markings.

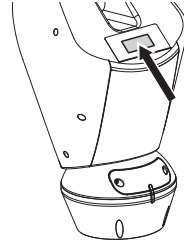


Fig. 1

The label shows:

- Model identification code (Extended 3/9 bar code).
- Power supply (Volt).
- Frequency (Hertz).
- Current consumption (Amps).
- Weatherproof standard (IP).
- Serial number.

4.2.1 Checking the markings

Before proceeding further with installation, make sure the material supplied corresponds to the order specification by examining the marking labels.

Never, under any circumstances, make any changes or connections that are not shown in this handbook. Improper use of the appliance can cause serious hazards, risking the safety of personnel and of the installation.

5 Versions

5.1 LED illuminators

 **The version with LED illuminators can only be powered at 24Vac.**

The pan & tilt can be fitted with bracket for 2 VIDEOTEC LED illuminators for night surveillance (illuminators not included).

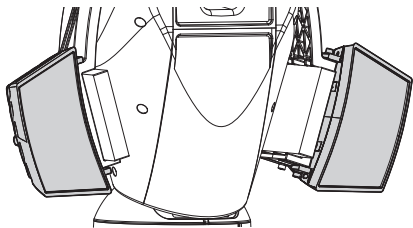





Fig. 2

 **For further information refer to the relative chapter (7.8 LED illuminators installation, page 20).**

6 Preparing the product for use

 **Any change that is not expressly approved by the manufacturer will invalidate the guarantee.**

 **The unit must not be dismantled or tampered with. The only exceptions are those concerning the assembly and maintenance operations stipulated in this manual.**

6.1 Safety precautions before use


 **The appliance includes moving parts. Make sure that the unit is positioned where it is inaccessible under normal operating conditions. Attach the warning label supplied with the appliance, placing it near the unit so that it can be seen easily.**



Fig. 3

6.2 Unpacking

When the product is delivered, make sure that the package is intact and that there are no signs that it has been dropped or scratched.

If there are obvious signs of damage, contact the supplier immediately.

Keep the packaging in case you need to send the product for repairs.

i **Unpack the sunshield of the device, taking care not to damage the housing.**

6.2.1 Removal of the protective packaging

Remove the protective packaging before installing the device.

6.2.1.1 How to open the housing

Loosen the leak-proof screws placed on the sides and lift the upper part of the housing.

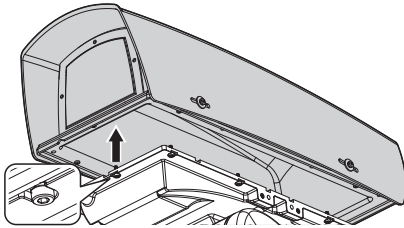


Fig. 4

i **First of all tighten the two central screws as shown in figure.**

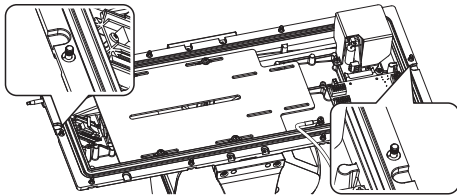


Fig. 5

i **After installation and wiring, close the product again.**

6.2.1.2 Remove the protective packaging

Open the housing and remove the protective packaging.

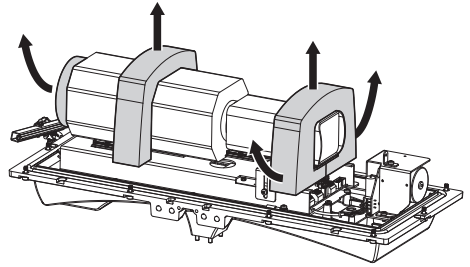


Fig. 6

6.3 Contents

Check the contents to make sure they correspond with the list of materials as below:

- Positioning unit
- Power supply base
- Accessories package:
 - Serial adapter
 - Serial extension cable
 - Allen wrenches
 - Spacers
 - Label
 - Ties
 - Ferrite
 - Silicon sheath
 - Reduction gaskets for cable glands
 - Instructions manual
 - Attachment plate for desiccant bag
 - Bolts and screws
- Counterweights package:
 - Counterweights
 - Counterweights brackets
- Sunshield

6.4 Safely disposing of packaging material

The packaging material can all be recycled. The installer technician will be responsible for separating the material for disposal, and in any case for compliance with the legislation in force where the device is to be used.

When returning a faulty product we recommend using the original packaging for shipping.

6.5 Preparatory work before installation

6.5.1 Attaching the bracket



For installations subject to vibrations, only use the parapet bracket.

Different types of supports are available (10 Accessories, page 34). Choose a suitable bracket for the installation and follow all the instructions in the suggested chapter.



Take special care when attaching and fastening down the apparatus. The clamping system must be able to support at least 4 times the weight of the entire equipment, including P&T, lenses and camera.



The device should be assembled vertically. Any other position could impair the performance of the appliance.



Do not attach the device upside down.

6.5.2 Cables management



The connection cables should not be accessible from the outside. It is necessary to fasten the cables securely to the support in order to prevent excessive weight pulling them out accidentally.



You must use cables suited to the type of installation.

Insert the cables into the support so that they protrude by about 50cm.

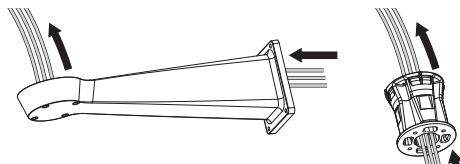


Fig. 7

7 Installation



Never, under any circumstances, make any changes or connections that are not shown in this handbook. Failure to follow the connection instructions that are given in the handbook may create serious safety hazards for people and for the installation.



Do not change the wiring in the product as it is supplied to you. Failure to follow this instruction may create serious safety hazards for people and for the installation, and will also invalidate the guarantee.



If using the washer kit, the nozzle support should be installed before positioning the pan & tilt and the wiring. For further explanations see the specific handbook for the kit.

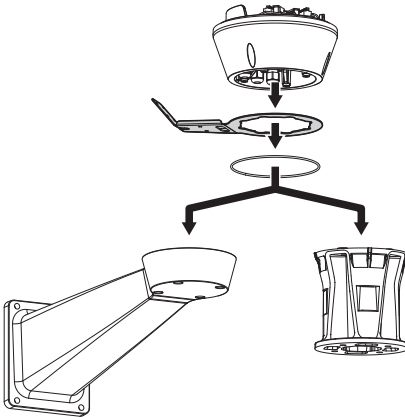


Fig. 8



Inside the bottom cover there is a desiccant bag that is used to prevent moisture formation in the base and near the connector boards. Remove the bag before installation.

7.1 Connecting the cables to the base

Insert the cables into the cable glands holding the base at about 20cm from the support. Tighten the cable glands. The cable glands are suitable for cables with a diameter between 5mm and 10 mm.

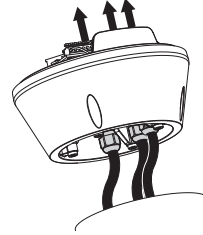


Fig. 9



Pay attention to the fixing. Tightening torque: 5Nm.



For cables diameter from 3mm to 7mm use the supplied gaskets.

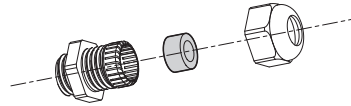


Fig. 10

7.2 Fixing the base to the support



Use the screws and the washers supplied with the base.

Once you have positioned the gasket (01), fix the base (02) onto the bracket (03) with screws (04), serrated washers (05) and screw rings (06).

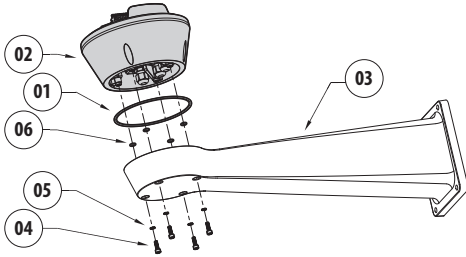


Fig. 11

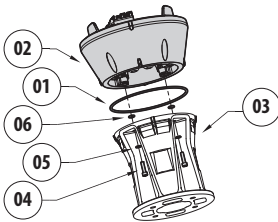


Fig. 12

Align the 3 notches on the base with those on the support as shown in the following figure.

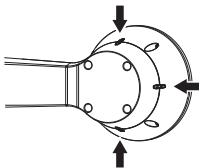


Fig. 13



Apply a thread-locker on the holes of the screws (Loctite 243®).



Pay attention to the fixing. Tightening torque: 6Nm.

7.3 Connector board description

CONNECTOR BOARD DESCRIPTION

Connector/Component	Function
CN1	Board power supply
CN4	Signal cables
Ethernet	Ethernet
F1	Fuse
F2	Fuse

Tab. 1

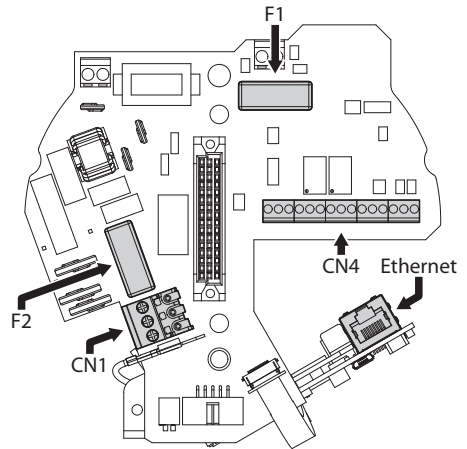


Fig. 14

7.4 Connection of the power supply line

Depending on the version, the device can be provided with different power supply voltages. Their value is shown on the product identification label (4.2 Product markings, page 10).

⚠ Electrical connections must be performed with the power supply disconnected and the circuit-breaker open.

⚠ When commencing installation make sure that the specifications for the power supply for the installation correspond with those required by the device.

⚠ Make sure that the power source and connecting cables are suitable for the power consumption of the system.

⚠ Earth cable should be about 10mm longer than the other two, so that it will not be disconnected accidentally if pulled.

⚠ The power supply cable should also be covered by the silicone sheath (01) supplied for this purpose. The silicone sheath must be fastened with the corresponding tie (02).

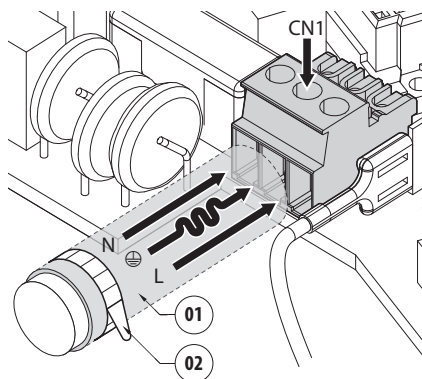


Fig. 15

7.4.1 24Vac power line connection

Cut the cables to the correct length and make the connections. Connect the power supply to the terminal: CN1.

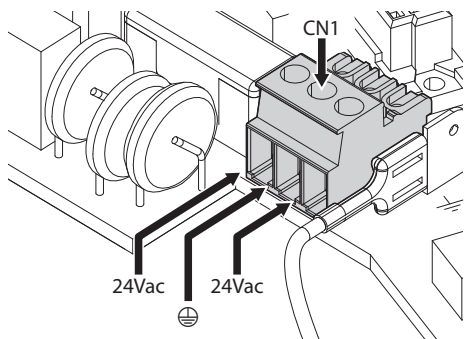


Fig. 16

Connect the power supply cables as described in the table below.

CONNECTION OF THE POWER SUPPLY LINE	
Colour	Terminals
Power supply 24Vac	
Defined by the installer	24Vac
Defined by the installer	24Vac
Yellow/Green	GND/⚡

Tab. 2

7.4.2 120Vac and 230Vac power line connection

Cut the cables to the correct length and make the connections. Connect the power supply to the terminal: CN1.

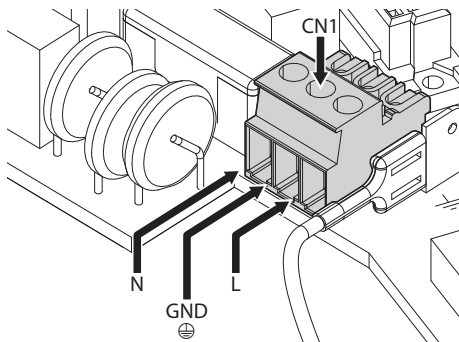


Fig. 17

Connect the power supply cables as described in the table below.

CONNECTION OF THE POWER SUPPLY LINE	
Colour	Terminals
Power supply 230Vac	
Blue	N (Neutral)
Brown	L (Phase)
Yellow/Green	GND/⚡
Power supply 120Vac	
Blue	N (Neutral)
Brown	L (Phase)
Yellow/Green	GND/⚡

Tab. 3

7.4.3 Connection of the alarm inputs, of the twilight switch and of the relays



CAUTION! TNV-1 installation type. The installation is type TNV-1, do not connect it to SELV circuits.



CAUTION! In order to reduce the risk of fire, only use cable with sections greater than or equal to 0.13mm² (AWG 26).

Standard version

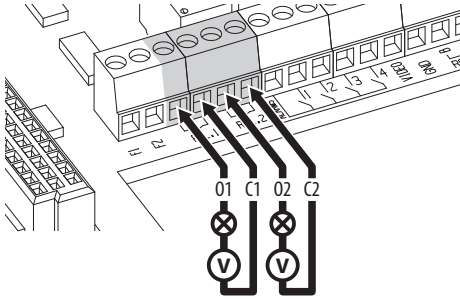


Fig. 18 Relay contact connection.

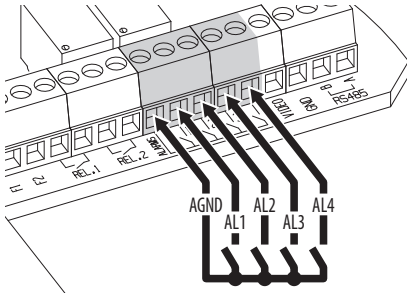


Fig. 19 Alarms connection.

Version with LED illuminators

CONNECTION OF THE ALARM INPUTS, OF THE TWILIGHT SWITCH AND OF THE RELAYS

AL1, AL2, AL3, AL4 e AGND	Self-powered alarm inputs referred to the AGND shared terminal
O1-C1 e O2-C2	Clean output contacts, can be activated by alarm or by user control

Tab. 4

7.5 Connection of the Ethernet cable

Connect the Ethernet cable to the connector (7.3 Connector board description, page 15).

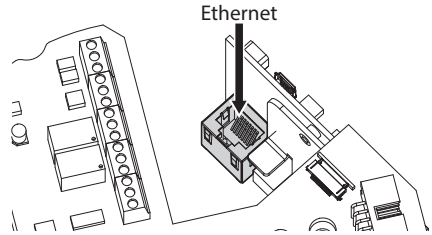


Fig. 20

7.6 Fixing the upper body

Fix the upper body (01) to the base (02) using the fixing screws (03) equipped with gaskets (04). Make sure the base seal is present and in good condition (05).

⚠ Pay attention to the fixing. Tightening torque: 4Nm.

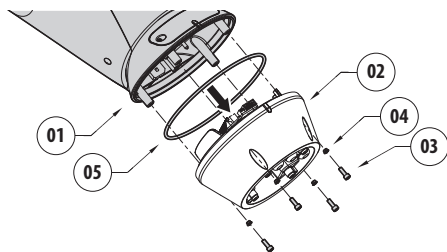


Fig. 21

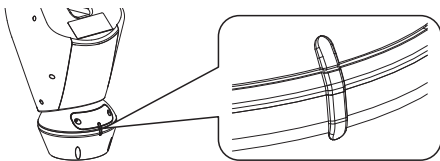


Fig. 22

i There is one anchoring position between the base and upper body. Align side projections to obtain the correct positioning.

7.7 Counterweights installation

Fasten the counterweights to the housing using the screws and washers supplied.

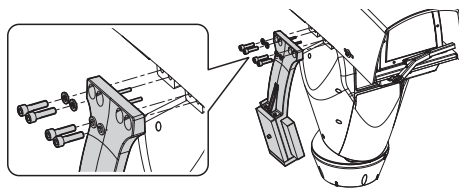


Fig. 23

⚠ Apply a thread-locker on the holes of the screws (Loctite 243®).

⚠ Pay attention to the fixing. Tightening torque: 16Nm.

7.8 LED illuminators installation



To work properly both illuminators must be installed together.



From Pan & Tilt, it is only possible to install VIDEOTEC illuminators.

7.8.1 Counterweight removal

Undo the screws and remove the external counterweights.

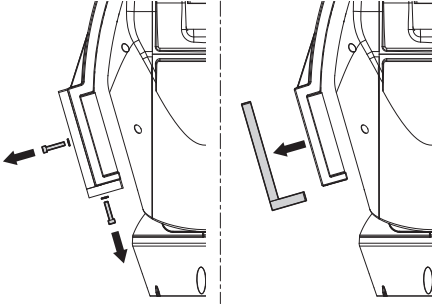


Fig. 24

7.8.2 Fitting the illuminator on the bracket

Identify the front holes on the counter-weight bracket.

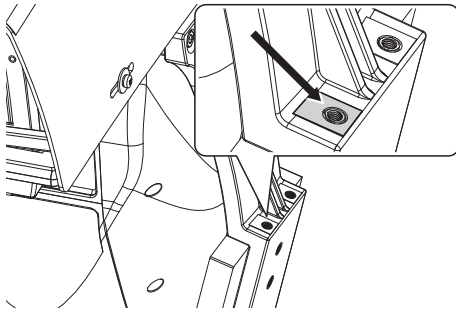


Fig. 25

Place the fixings of the illuminator (01) on those of the bracket (02).

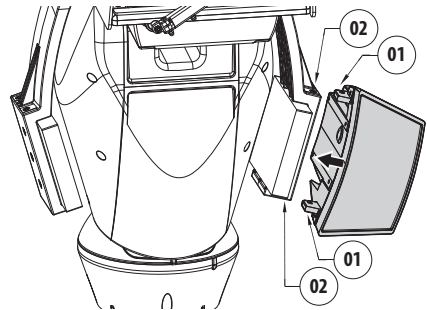


Fig. 26

Tighten the screws with the washers previously removed.

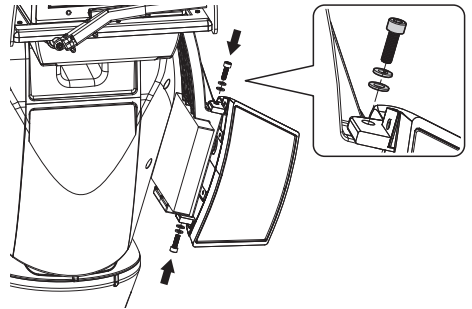


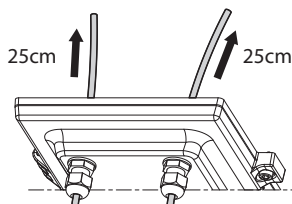
Fig. 27



Pay attention to the fixing. Tightening torque: 6Nm.

7.9 Connection of the LED illuminators

Insert the power supply cables through the cable glands by at least 25 cm.



! To ensure the safety and the correct operation of the unit do not leave a surplus of the cable externally.

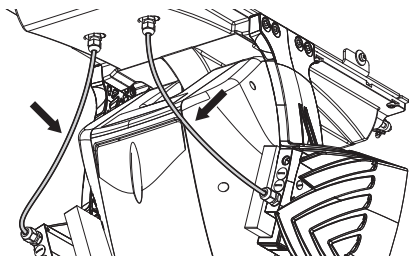


Fig. 28

Connect the cables as shown in figure.

The left illuminator (MASTER) must be connected to connector J15. The right illuminator (SLAVE) must be connected to connector J9.

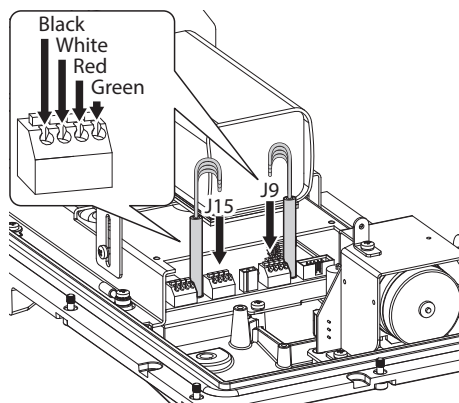


Fig. 29

7.10 Setting of the LED illuminators and synchronization mode with the camera

! Once the adjustment is done the illuminator on the left (MASTER) synchronizes and controls the illuminator on the right (SLAVE).

The dusk switch detects the room light and controls the activation and deactivation of the illuminators when brightness reaches the level set by the user.

When the LED illuminators are active the camera goes to night mode with the special ONVIF control.

7.10.1 Description of the LED illuminator

! Do not remove the transparent screw of the twilight sensor in order not to affect the security and operation of the illuminator.

- **Twilight sensor:** Detects the light level.
- **Cable:** Power supply and control.
- **Switch-on threshold regulator:** The potentiometer allows adjusting the sensitivity threshold to switch on the illuminator.
- **Infrared power control:** The potentiometer allows adjusting the power of the illuminator.

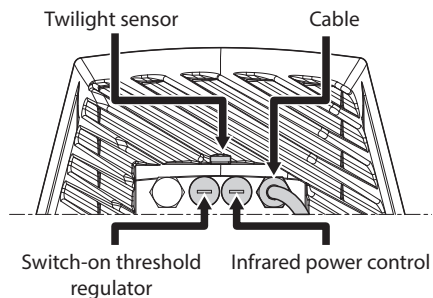


Fig. 30

7.10.2 Synchronisation with an external twilight switch

To synchronise the illuminators and camera with an external light sensitive switch you need to:

- Connect the twilight switch to the terminals: AL1/AGND (7.4.3 Connection of the alarm inputs, of the twilight switch and of the relays, page 18).
- Adjust the left illuminator (MASTER):
 - **Lighting threshold:** Set the value to OFF (7.10.5 LED illuminator switching on threshold adjustment, page 23).
 - **Infrared power:** Set the value as needed (7.10.6 LED illuminator power adjustment, page 23).
- Adjustment of the the illuminator on the right (SLAVE):
 - **Lighting threshold:** Set the value to the maximum (7.10.5 LED illuminator switching on threshold adjustment, page 23).
 - **Infrared power:** Set the value to the minimum (7.10.6 LED illuminator power adjustment, page 23).

From the IR Probe entry select the External option (9.1.12 Camera Parameters, page 32).

On the I/O digital board, set the values in the following manner: (9.1.10 Digital I/O, page 31):

- **Alarm ID:** 1
- **Type:** NORMALLY OPEN
- **Action:** IR_FILTER

7.10.3 Synchronising the unit with the LED illuminators

To synchronise the unit with the LED illuminators it is necessary to:

- Adjust the left illuminator (MASTER):
 - **Lighting threshold:** Set the value as needed (7.10.5 LED illuminator switching on threshold adjustment, page 23).
 - **Infrared power:** Set the value as needed (7.10.6 LED illuminator power adjustment, page 23).

- Adjustment of the the illuminator on the right (SLAVE):
 - **Lighting threshold:** Set the value to the maximum (7.10.5 LED illuminator switching on threshold adjustment, page 23).
 - **Infrared power:** Set the value to the minimum (7.10.6 LED illuminator power adjustment, page 23).

From the Camera Parameters entry select the Internal option (9.1.12 Camera Parameters, page 32).

7.10.4 Manually activate the LED illuminators

To turn on the LED illuminators:

- Adjust the left illuminator (MASTER):
 - **Lighting threshold:** Set the value to OFF (7.10.5 LED illuminator switching on threshold adjustment, page 23).
 - **Infrared power:** Set the value as needed (7.10.6 LED illuminator power adjustment, page 23).
- Adjustment of the the illuminator on the right (SLAVE):
 - **Lighting threshold:** Set the value to the maximum (7.10.5 LED illuminator switching on threshold adjustment, page 23).
 - **Infrared power:** Set the value to the minimum (7.10.6 LED illuminator power adjustment, page 23).

7.10.5 LED illuminator switching on threshold adjustment

! The illuminator on the right must always be set to maximum brightness.

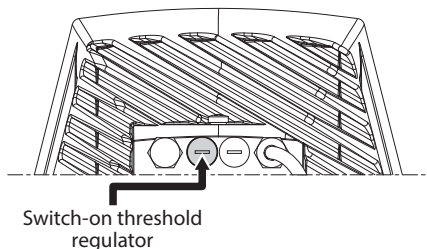


Fig. 31

The illuminator has an integrated twilight sensor that allows its automatic activation and deactivation at predefined luminous conditions.

The twilight sensor is set in the factory at a predetermined luminous level, suitable for most installations (approximately 50lx). If you want to adjust in different ways the threshold, loosen the plug on the illuminator rear and proceed for the adjustment with a screwdriver.

By rotating the trimmer clockwise, the night mode changeover is anticipated (at a greater luminous value). By rotating the trimmer anti-clockwise, the night mode changeover is delayed (at a lower luminous value).

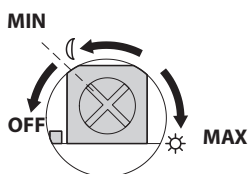


Fig. 32

Wait for appropriate brightness before switching on the illuminator. Rotate the trimmer slowly until the LED on the side of the trimmer switches on. Once the intervention threshold has been surpassed (LED on), rotate it slightly in the opposite direction.

! After making the adjustments make sure that the plug is closed tight to ensure perfect sealing.

7.10.6 LED illuminator power adjustment

! The illuminator on the right must always be set to minimum power.

i The illuminator is set in the factory to provide maximum power. If you don't need to illuminate distant subjects or if the image is over-exposed for excessive brightness, decrease the power, so that energy saving is also obtained.

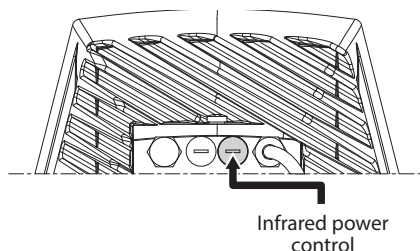


Fig. 33

Loosen the hermetic plug. Rotate the trimmer, clockwise to increase the power of the infrared illuminators and anti-clockwise to decrease it.

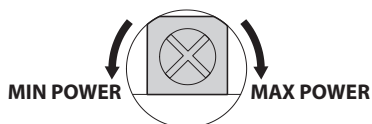


Fig. 34

! After making the adjustments make sure that the plug is closed tight to ensure perfect sealing.

7.11 Fastening of the wiper blade

Insert the blade on the wiper shaft.

Position the blade in the stop position.

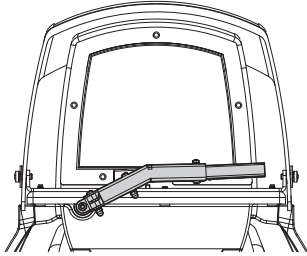


Fig. 35

Fasten the whole assembly by means of the washer and nut.

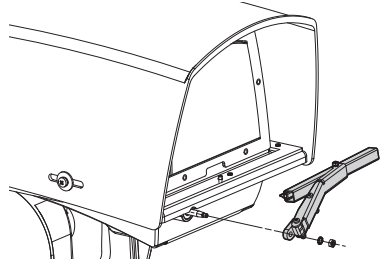


Fig. 36



The correct adjustment must allow the return of the blade to the stop position going to the end stop on the casing's plate.

8 Switching on



Make sure that the unit and other components of the installation are closed so that it is impossible to come into contact with live parts.



During normal operation the surface of the illuminator can reach high temperatures. Do not allow direct contact and position the appliance where it is inaccessible to unauthorised persons. Before touching switch off the illuminator and allow to cool for a minimum period of 10 minutes.



Do not stay in the vicinity of the device when it is powered. Act on the device only in the absence of a power supply.



Make sure that all parts are fastened down firmly and safely.



The automatic pre-heating (De-Ice) process could be started whenever the device is switched on and the air temperature is below 0°C. This process is used to ensure that the device works properly even at low temperatures. The duration ranges between 60 and 105 minutes, depending on conditions.

The unit is switched on by connecting the power supply.

To switch off the unit disconnect the power.

9 Configuration

9.1 Web interface

i During the first connection assign an address other than 192.168.0.100.

i Browsers supported: Microsoft Internet Explorer, Google Chrome, Mozilla Firefox.

i The MAC Address is contained on the label that is on the CPU board.

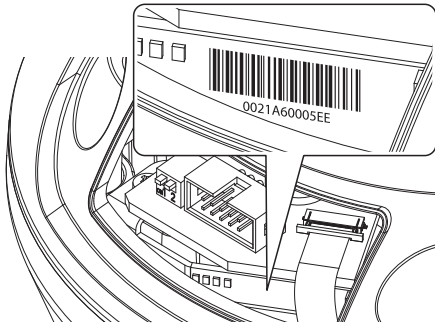


Fig. 37

The first operation in configuring the P&T unit consists in connecting to the web interface.

In the predefined settings for the configured P&T, to automatically acquire an address through a DHCP protocol, it is possible to detect the device through the ONVIF, S profile, protocol.

If no DHCP server is available, the P&T unit will configure itself automatically with the address 192.168.0.100.

If no VMS is available with the Auto Discovery functions based on ONVIF, the acquired address can be read in the DHCP server logs.

To access the Pan & Tilt web interface, simply use a browser to connect to the address http://ip_address and log in to Pan & Tilt using the predefined credentials:

- **Username:** admin
- **Password:** admin

9.1.1 Home

If you log in successfully, the Pan & Tilt management interface will appear.



Fig. 38

9.1.2 User Controls

To control the Pan & Tilt through the browser, select the User Control entry. A new window will open with a virtual keyboard to enter commands.

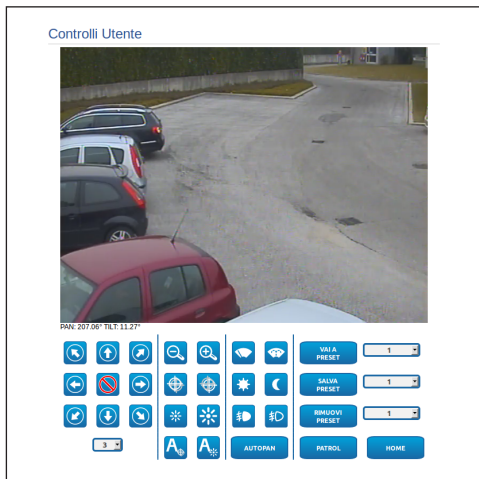


Fig. 39

The virtual keyboard contains the following controls:

- **Speed selector:** It selects the speed of the pan & tilt movements.



Fig. 40

- **Zoom wide/Zoom tele**



Fig. 41

- **Focus far/Focus near/Auto focus**



Fig. 42

- **Iris close/Iris open/Auto iris**



Fig. 43

- **Wiper/Washer**



Fig. 44

- **Day:** Activate the camera's IR filter. If available, it turns off the LED illuminators.



Fig. 45

- **Night:** Deactivate the camera's IR filter. If available, it turns on the LED illuminators.



Fig. 46

- **Visible Cut Filter On:** Enable the Visible Cut Filter (in models with this feature.). This filter allows for sharp images (black and white) under hazy conditions or backlit shots.



Fig. 47

- **Visible Cut Filter Off:** Disable the Visible Cut Filter (in models with this feature.).



Fig. 48

9.1.3 Device Parameters

From menu entry Device Parameters it is possible to set the name of the pan & tilt and view other additional information.

Device Parameters	
Device Name	UlisseNet.cam
Product Code	UPT2SVJANO0E
Serial Number	113121290001
MAC Address	00:21:A6:00:07:D8
Product ID	2
Firmware Version: CPU Board	2.0
Firmware Version: NET Board	6.0.0
Firmware Version: MPF Board	6.0.0
Hardware Revision	0
Major Revision	0
Minor Revision	0
Housing Type	0

Fig. 49

9.1.4 Device Statistics

From menu entry Device Statistics all of the statistics are gathered during Pan & Tilt operation are provided in read-only mode.

Device Statistics	
Pan degrees	3364
Tilt degrees	1442
Power up	133
Working hours	26
Housing max temperature (°C)	40
Housing min temperature (°C)	65.454
Pan board max temperature (°C)	50
Pan board min temperature (°C)	22
CPU board max temperature (°C)	43
CPU board min temperature (°C)	20
Net board max temperature (°C)	39
Net board min temperature (°C)	19
IR Light ON hours	0

Fig. 50

9.1.5 Network Configuration

From menu entry Network Configuration it is possible to change the setting of the Pan & Tilt network. It is possible to decide whether the device requires an address assigned statically, dynamically with DHCP or self-generated. The device supports the Internet Protocol (IP) in version 4.

i With self-generated address the device will automatically assign itself an address in the range 169.254.0.0/16.

From the same page it is possible to configure 2 DNS and decide which mechanisms must be enabled to automatically identify the devices in the local network.

Network Configuration	
IP Version	IPv4
Address Type	STATIC
IP Address (IPv4)	192.168.103.121
Subnet Mask (IPv4)	255.255.255.0
Gateway (IPv4)	192.168.103.1
DNS auto discovery	DISABLED
Primary DNS	8.8.4.4
Secondary DNS	8.8.8.8
Date & Time	2013-05-27 14:41:53 UTC
NTP Server	DISABLED
PC Sync	ENABLED
UPNP	ENABLED
Zeroconf	ENABLED
Multicast discovery	ENABLED
WS discovery	ENABLED

Fig. 51

It is also possible to specify if the device needs to be synchronised with an external NTP (Network Time Protocol) server.

- **NTP -> DISABLED:** Select this option if you do not wish to synchronise date and time of the device.
- **NTP -> DHCP:** Select this option if you wish to synchronise the date and time of the device with those of an NTP server (Network Time Protocol) indicated by the DHCP server.
- **NTP -> STATIC:** Select this option if you wish to synchronise date and time of the device with those of the NTP server specified by the static address.

i For the device to operate correctly, the pan & tilt must be synchronised with the VMS software using an NTP server.

9.1.6 User Configuration

From menu entry User Configuration it is possible to administer all users that have access to Pan & Tilt. Administrator type users can access the product configuration. Users such as Operators, Users and Anonymous have limited access to the management pages.

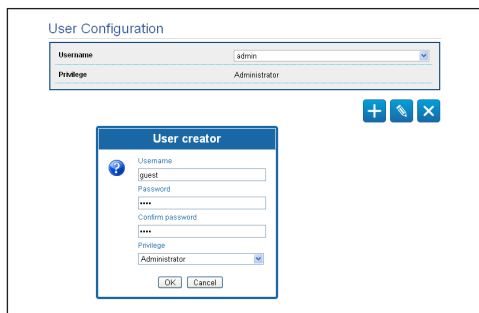


Fig. 52

i The device can be configured only by users with administration privileges.

9.1.7 Movement Parameters

From menu entry Movement Parameters it is possible to control, via web, all Pan & Tilt parameters.

- **Offset Pan:** The pan & tilt has a mechanically defined 0° position. The Offset Pan function allows the definition of a different 0° position using software.
- **Maximum Speed:** Sets the maximum manual speed.
- **Speed With Zoom:** Enables the option Speed with Zoom. When enabled, this parameter automatically slows down the Pan & Tilt speed, based on the Zoom factor.
- **Tilt Factor:** Sets the reduction factor of the tilt axis manual speed.
- **Pan Limits:** Enables the limits of Pan.
- **Pan Start:** Sets the start limit of Pan.
- **Pan End:** Sets the end limit of Pan.
- **Tilt Start:** Sets the start limit of Tilt.
- **Tilt End:** Sets the end limit of Tilt.

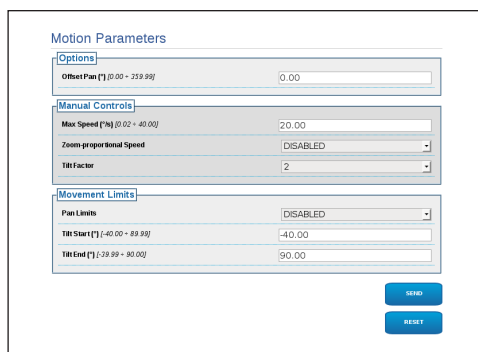


Fig. 53

9.1.7.1 Autopan

In the Autopan subsection it is possible to specify the preset autopan start and end..

Fig. 54

9.1.7.2 Patrol

In the Patrol subsection it is possible to specify the preset patrol start and end. It is possible to specify whether the scan of the presets needs to be carried out randomly or otherwise.

Fig. 55

9.1.7.3 Motions Recall

In the Motion Recall subsection it is possible to specify a time interval of inactivity after which Pan & Tilt will carry out one of the following functions: return to Home position, start autopan or start patrol.

Fig. 56

9.1.8 Preset Parameters

From menu entry Preset Parameters a number of parameters relative to the presets can be configured:

- **Scan Speed:** The speed, measured in degrees to the second, at which a preset is reached by explicit operator request.
- **Ramp type:** This allows you to select the Pan & Tilt accelerations.
- **Speed Of Movements (Default):** The speed used in autopan and patrol operations.
- **Impose default speed:** The default speed will also be set as the scanning speed for all presets.
- **Default Dwell Time:** The amount of time, in seconds, it stays in each preset by default.
- **Impose default pause:** The default pause will be set for all presets.

Fig. 57

9.1.9 Preset Parameters (Advanced)

In the Preset Parameters (Advanced) section it is possible to customise the speed and pause values for each preset, in addition to enabling/disabling the presets themselves.

Fig. 58

9.1.10 Digital I/O

In the Digital I/O tab it is possible to configure the digital channels available in Pan & Tilt. What follows is a brief description of the configurable parameters for each digital input.

- **Alarm ID:** Field used to select the desired digital input.
- **Type:** It indicates the default state of the digital input. It can be set Normally Open or Normally Closed.
- **Action:** Each input can be associated with an action. The action is activated when the contact is in a state other than default. The available actions are listed below:
 - **NONE:** No action.
 - **SCAN:** Position the pan & tilt on the selected preset.
 - **PATROL:** Activate the PATROL.
 - **AUTO-PAN:** Activate AUTOPAN.
 - **WIPER:** Activate the Wiper.
 - **WASHER:** Activate the glass cleaning sequence.
 - **RELAY 1:** Activate Relay 1.
 - **RELAY 2:** Activate Relay 2.
 - **IR FILT:** Deactivate the camera's IR Filter. If available, it turns on the LED illuminators.

To check correct operation of the alarms, a dot will appear on the web page. The dot will be green in normal conditions and red when an alarm is detected.

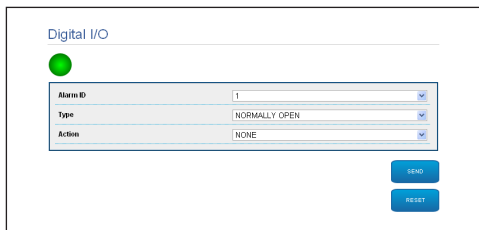


Fig. 59

9.1.11 Washer

The Pan & Tilt wash pump is configured in the Washer tab where it is possible to associate a preset to the washing operation, set the duration of washing and specify the wiper on/off delay.

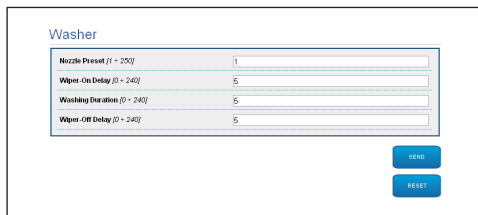


Fig. 60

9.1.12 Camera Parameters

The parameters of the IP camera that were set at first start up can be edited in the Camera Parameters section. In the Camera Parameters section it is possible to specify zoom factor and precision of the zoom position. This section also displays the data for the different ONVIF profiles exported from the camera.

From the Lenses menu item you can select one of the following options:

- **Motorized:** P&T controlled.
- **Integrated:** Camera controlled.
- **Fixed:** Not controllable.

In the case of motorized lenses it is possible to set up the connection (common wire or reverse polarity) and the rotation polarity of the zoom, the Focus and the Iris.

Fig. 61

To modify the camera settings, select the VTTunnel button (9.1.13 Tools, page 32).

9.1.13 Tools

From menu entry Tools it is possible to re-set the predefined values for the entire configuration of Pan & Tilt or only for a number of specific sections.

This section:

- Update the firmware of the device.
- Restart the pan & tilt.
- Download the VTTunnel application to enable the connection with the IP camera needed to access its web page.
- Open the web pages of the camera.

Fig. 62

9.1.14 Factory Default

⚠ If the password is no longer available, you can also restore the factory settings by pressing a Reset button situated inside the base.

To restore the factory settings relative to the network, user access and camera configuration follow this procedure:

- Power the unit.
- Open the cover of the DIP-switches.
- Detect DIP switch 4 (01). Bring switch 1 down, 1 (ON) value.
- Wait for the temporary shutdown of the LEDs (02).
- Bring switch 1 up, 0 (OFF) value.
- Close the door.

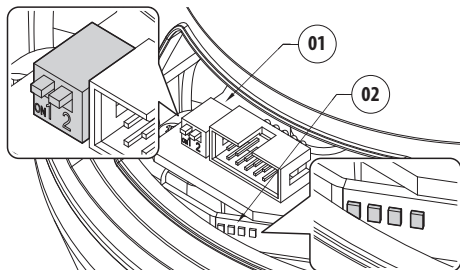


Fig. 63

9.2 VTTunnel

i The application works only with Java™. If Java™ is not installed download the latest version at www.java.com.

i The application can be connected only to the first interface of the network. Leave only the network cable connected to the pan & tilt.

i The execution of the application requires computer administrator privileges. The following message may appear on the screen: You have to execute Javaw as administrator. In this case the execution properties of the file in the Java installation folder must be modified.

In order to connect the web camera you must use the program VTTunnel, available in the Tools menu.

When the program starts, a list of networked devices will be shown. To connect to the camera select the pan & tilt desired and press the Connect key.

Once the connection is established, the web page of the IP camera can be reached at 192.0.0.64.

When the operations on the camera are done, you can close the connection by clicking the Disconnect key. It is possible to connect to one camera at a time, so you need to disconnect from the P&T unit before operating on a different unit.

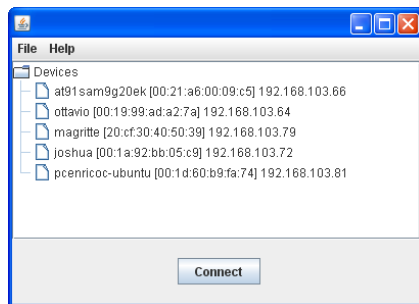


Fig. 64

i Restart the Pan & Tilt if video streaming parameters have been modified during the configuration of the camera.

10 Accessories

i For further details on configuration and use, refer to the relative manual.

10.1 Washer

The P&T can be equipped with an external pump that supplies water for the glass to be cleaned.

When a control is provided, the Pan & Tilt is positioned with the window in front of the nozzle. (9.1.2 User Controls, page 27). The pump and wiper are activated for a set period of time. At the end of the operation the P&T returns to its initial position.

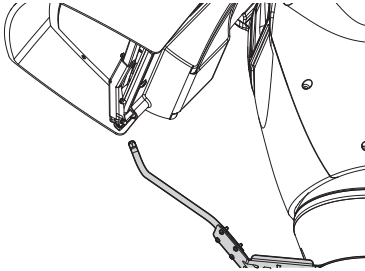


Fig. 65

10.1.1 Washing system connection

! **CAUTION!** TNV-1 installation type. The installation is type TNV-1, do not connect it to SELV circuits.

! **CAUTION!** In order to reduce the risk of fire, only use cable with sections greater than or equal to 0.13mm² (AWG 26).

! **All signal cables must be grouped together by means of a strap.**

WASHING SYSTEM CONNECTION	
Terminals	Description
O1-C1	Clean contact to activate the washing system.

Tab. 5

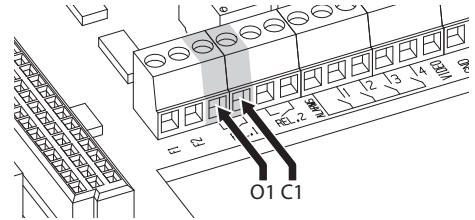


Fig. 66

10.2 Wall mount

Wall bracket with internal cable channel.

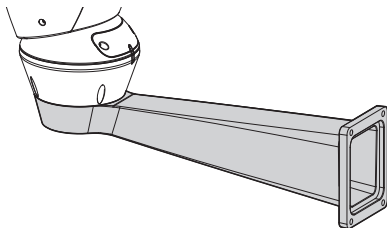


Fig. 67

10.3 Parapet bracket

Parapet bracket with internal cable channel.

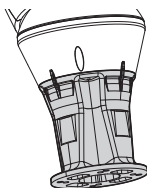


Fig. 68

10.4 Power supply with illuminator control

Weather-proof box with power supply and control of the illuminators.

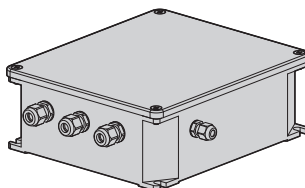


Fig. 69 Version of the standard box.

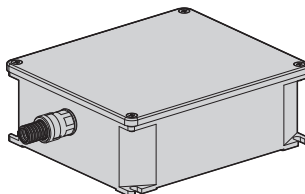


Fig. 70 Version of the UL certified box.



For further information refer to the relative chapter (7.4.3 Connection of the alarm inputs, of the twilight switch and of the relays, page 18).

11 Maintaining



Maintenance must be carried out by personnel trained to operate on electrical circuits.

11.1 Fuses replacement



Maintenance must be performed with the power supply disconnected and the circuit-breaker open.

If necessary, replace the fuse illustrated in figure (7.3 Connector board description, page 15).

FUSES REPLACEMENT		
Voltage	Fuse F1	Fuse F2
24Vac, 50/60Hz	F 6.3A L 250V 5x20	T 8A H 250V 5x20
120Vac, 50/60Hz	F 6.3A L 250V 5x20	T 4A H 250V 5x20
230Vac, 50/60Hz	F 6.3A L 250V 5x20	T 2A H 250V 5x20

Tab. 6

12 Cleaning

12.1 Window and plastic cover cleaning



Avoid ethyl alcohol, solvents, hydrogenated hydrocarbide, strong acid and alkali. Such products may irreparably damage the surface.

We recommend using a soft cloth with neutral soaps diluted with water or specific products to clean the glasses lenses.

13 Disposal of waste materials



This symbol mark and recycle system are applied only to EU countries and not applied to the countries in the other area of the world.

Your product is designed and manufactured with high quality materials and components which can be recycled and reused.

This symbol means that electrical and electronic equipment, at their end-of-life, should be disposed of separately from your household waste.

Please dispose of this equipment at your local Community waste collection or Recycling centre.

In the European Union there are separate collection systems for used electrical and electronic products.

14 Troubleshooting

Ask for assistance from skilled personnel if:

- The unit is damaged after being dropped;
- There is noticeable deterioration in performance of the unit.
- The unit does not work properly, even though all the instructions in this handbook have been followed.

PROBLEM

The product does not go on.

CAUSE

Wiring error, blown fuse.

SOLUTION

Make sure the connections are correct. Check the continuity of the fuses and replace them with the indicated models should they fail.

PROBLEM

During start-up the pan & tilt is disabled.

CAUSE

Air temperature is very low.

SOLUTION

Wait until the end of the pre-heating procedure.

15 Technical data

15.1 General

Built in aluminium and ABS

Epoxy polyester powder painting, RAL9002 colour

Top mount (OTT)

Transmission through toothed belt

Slip-ring

Electronic limit switches

Plug installation thanks to connector and easy replacement on-site

Zero backlash

Optical sensors for absolute positioning feedback

Integrated wiper

Pre-installed camera and lens

15.2 Mechanical

Cable glands: 3xM16

Horizontal rotation: continuous

Zoom 18x:

- Vertical rotation: +90° to -40°
- Horizontal speed (variable): from 0.02°/s up to 100°/s (from 0.02°/s up to 40°/s, with LED illuminators)
- Tilt speed (variable): from 0.02°/s up to 50°/s (from 0.02°/s up to 30°/s, with LED illuminators)

Zoom 33x:

- Vertical rotation: from +45° up to -20°
- Horizontal speed (variable): from 0.02°/s up to 20°/s
- Tilt speed (variable): from 0.02°/s up to 20°/s

Internal usable area: See drawings

Preset accuracy: 0.02°

Unit weight: 17kg (37lb) (18x), 30kg (66lb) (33x)

15.3 Electrical

Power supply/Current consumption:

- 230Vac, 0.4A, 50/60Hz
- 24Vac, 4A (8A with LED illuminators), 50/60Hz
- 120Vac, 0.8A, 50/60Hz

Power consumption:

- 100W
- 150-190W max with LED illuminators in 24Vac
- 28.5W (18x), 24W (33x), P&T stopped, heating switched off

Camera power supply: 12Vdc (800mA)

4 self-powered alarm inputs

2 dry contacts: 30Vdc max or 30Vac, @ 1A

15.4 Communications

Ethernet connection: IEEE 802.3 100Base-Tx

15.5 Protocols

ONVIF, Profile S

For device configuration: TCP/IPv4, UDP/IPv4, HTTP, NTP, DHCP, WS-DISCOVERY, QoS

For streaming: RTSP, RTCP, RTP

15.6 Camera

Day/Night Full HD, 60fps, CMOS 1/1.9" sensor

Effective Pixels: 2.38 Megapixel

Minimum Illumination Zoom 18x, Colour (ICR-OFF):

- 0.08lx, 50 IRE F2.5, 1/30s

Minimum Illumination Zoom 18x, B/W (ICR-ON):

- 0.06lx, 50 IRE F2.5, 1/30s

Minimum Illumination Zoom 33x, Colour (ICR-OFF):

- 0.1lx, 50 IRE F3.0, 1/30s

Minimum Illumination Zoom 33x, B/W (ICR-ON):

- 0.07lx, 50 IRE F3.0, 1/30s

Zoom 18x:

- Horizontal Viewing Angle: 40.6° (wide end) to 2.4° (tele end)
- Vertical Field of View: 30.8° (wide end) to 1.8° (tele end)

Zoom 33x:

- Horizontal Viewing Angle: 23.42° (wide end) to 0.74° (tele end)
- Vertical Field of View: 17.74° (wide end) to 0.55° (tele end)

S/N Ratio: more than 50 dB

WDR (wide dynamic range): 90dB

Electronic Shutter: 1/1 to 1/10,000 s

Exposure Control: Exposure compensation, AGC, Electronic Shutter, Iris

White balance: ATW, ATW PRO, Fluorescent lamp, Mercury lamp, Sodium vapor lamp, Metal halide lamp, White LED, Open Push WB, Manual

Wide-D: View-DR

Tone correction: Visibility enhancer

Noise reduction: XDNR

15.7 Lenses

Zoom 18x, 8.5-154mm, F2.5

Zoom 33x, 15-500mm, F2.5 (Thermal compensation system and Visible Cut Filter (optional))

15.8 Environment

Indoor/Outdoor

Operating temperature: -40°C (-40°F)/+60°C (140°F)

Power temperature for 33x version:-30°C (-22°F)/+60°C (140°F)

Surge immunity: up to 2kV line to line, up to 4kV line to earth (Class 4)

15.9 Certifications

Electrical safety (CE): EN60950-1, IEC60950-1

Electromagnetic compatibility (CE): EN50130-4, EN610000-6-4, EN55022 (Class A), FCC Part 15 (Class A)

Outdoor installation (CE): EN60950-22, IEC60950-22

Photobiological safety (CE): EN62471 LED illuminators)

IP protection degree: EN60529, IP66

Salty fog resistance: EN50130-5, EN60068-2-52

UL certification: cULus Listed (TYPE 4X)

EAC certification

16 Technical drawings

i The dimensions of the drawings are in millimetres.

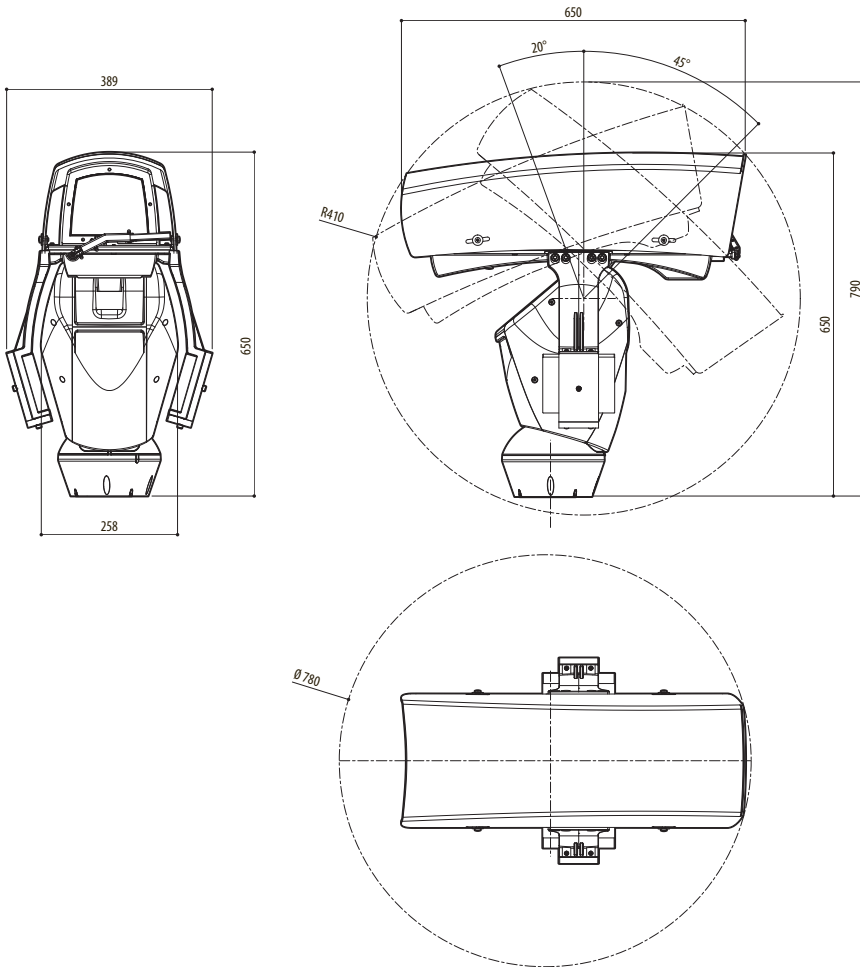


Fig. 71 ULISSE RADICAL, Zoom 33x.

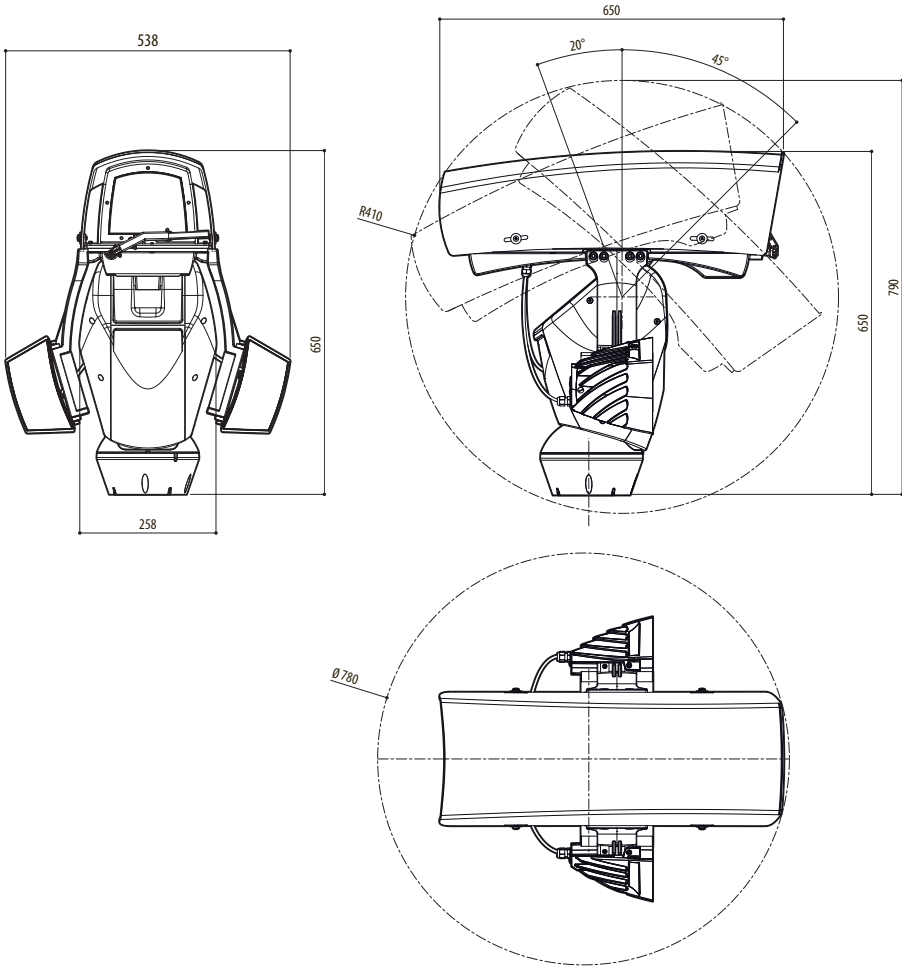


Fig. 72 ULISSE RADICAL, Zoom 33x, pre-arranged version for two LED illuminators installation.

Headquarters Italy Videotec S.p.A.

Via Friuli, 6 - I-36015 Schio (VI) - Italy

Tel. +39 0445 697411 - Fax +39 0445 697414

Email: info@videotec.com

Asia Pacific Videotec (HK) Ltd

Flat 8, 19/F. On Dak Industrial Building, No. 2-6 Wah Sing Street

Kwai Chung, New Territories - Hong Kong

Tel. +852 2333 0601 - Fax +852 2311 0026

Email: info.hk@videotec.com

France Videotec France SARL

Immeuble Le Montreal, 19bis Avenue du Québec, ZA de Courtaboeuf
91140 Villebon sur Yvette - France

Tel. +33 1 60491816 - Fax +33 1 69284736

Email: info.fr@videotec.com

Americas Videotec Security, Inc.

Gateway Industrial Park, 35 Gateway Drive, Suite 100
Plattsburgh, NY 12901 - U.S.A.

Tel. +1 518 825 0020 - Fax +1 518 825 0022

Email: info.usa@videotec.com - www.videotec.us



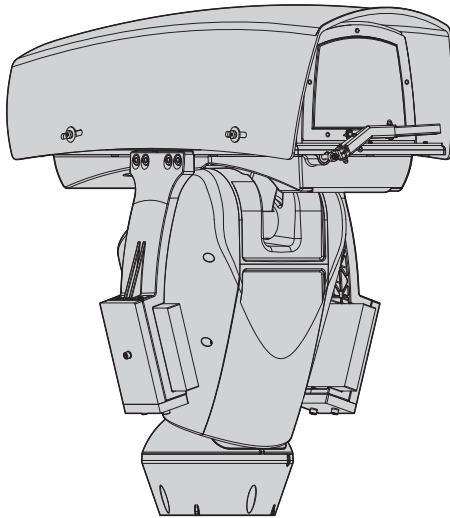
www.videotec.com

MNVCUPKHXL_1514_EN



ULISSE RADICAL

Unità PTZ IP con telecamera ed ottica integrate



Sommario

1 Informazioni sul presente manuale	7
1.1 Convenzioni tipografiche	7
2 Note sul copyright e informazioni sui marchi commerciali.....	7
3 Norme di sicurezza	7
4 Identificazione	10
4.1 Descrizione e designazione del prodotto.....	10
4.2 Marcatura del prodotto	10
4.2.1 Controllo della marcatura.....	10
5 Versioni.....	11
5.1 Illuminatori a LED.....	11
6 Preparazione del prodotto per l'utilizzo.....	11
6.1 Precauzioni di sicurezza prima dell'utilizzo.....	11
6.2 Disimballaggio.....	12
6.2.1 Rimozione dell'imballo protettivo.....	12
6.2.1.1 Apertura della custodia.....	12
6.2.1.2 Estrazione dell'imballo protettivo.....	12
6.3 Contenuto	13
6.4 Smaltimento in sicurezza dei materiali di imballaggio.....	13
6.5 Lavoro preparatorio prima dell'installazione.....	13
6.5.1 Fissaggio del supporto	13
6.5.2 Passaggio cavi.....	13
7 Installazione.....	14
7.1 Collegamento dei cavi alla base	14
7.2 Fissaggio della base al supporto.....	15
7.3 Descrizione della scheda connettori	15
7.4 Collegamento della linea di alimentazione.....	16
7.4.1 Collegamento della linea di alimentazione in 24Vac.....	17
7.4.2 Collegamento della linea di alimentazione in 120Vac e 230Vac	17
7.4.3 Collegamento degli ingressi di allarme, dell'interruttore crepuscolare e dei relè	18
7.5 Collegamento del cavo di rete Ethernet.....	18
7.6 Fissaggio del corpo superiore	19
7.7 Montaggio dei contrappesi	19
7.8 Montaggio degli illuminatori a LED	20
7.8.1 Rimozione dei contrappesi	20
7.8.2 Montaggio dell'illuminatore sulla staffa.....	20
7.9 Collegamento degli illuminatori a LED.....	21
7.10 Regolazione degli illuminatori a LED e modalità di sincronizzazione con la telecamera	21
7.10.1 Descrizione dell'illuminatore a LED.....	21
7.10.2 Sincronizzazione con un interruttore crepuscolare esterno	22
7.10.3 Sincronizzare l'unità con gli illuminatori a LED.....	22
7.10.4 Attivazione manuale degli illuminatori a LED	22
7.10.5 Regolazione della soglia di accensione degli illuminatori a LED.....	23

7.10.6 Regolazione della potenza degli illuminatori a LED.....	23
7.11 Fissaggio della spazzola del tergicristallo.....	24
8 Accensione	25
9 Configurazione	26
9.1 Interfaccia web	26
9.1.1 Home.....	26
9.1.2 Controlli Utente.....	27
9.1.3 Parametri Dispositivo.....	28
9.1.4 Statistiche Dispositivo.....	28
9.1.5 Configurazione Rete	28
9.1.6 Configurazione Utenti	29
9.1.7 Parametri Movimento	29
9.1.7.1 Autopan	30
9.1.7.2 Patrol.....	30
9.1.7.3 Richiamo Movimenti	30
9.1.8 Parametri Preset	30
9.1.9 Parametri Preset (Avanzato).....	30
9.1.10 I/O Digitali.....	31
9.1.11 Washer.....	31
9.1.12 Parametri Camera	32
9.1.13 Strumenti	32
9.1.14 Factory Default.....	33
9.2 VTTunnel.....	33
10 Accessori.....	34
10.1 Impianto di lavaggio	34
10.1.1 Collegamento dell'impianto di lavaggio	34
10.2 Supporto da parete	35
10.3 Supporto da parapetto	35
10.4 Alimentatore con controllo degli illuminatori	35
11 Manutenzione.....	36
11.1 Sostituzione dei fusibili	36
12 Pulizia	36
12.1 Pulizia del vetro e delle parti in plastica.....	36
13 Smaltimento dei rifiuti	36
14 Risoluzione dei problemi	36
15 Dati tecnici	37
15.1 Generale	37
15.2 Meccanica	37
15.3 Elettrico.....	37
15.4 Comunicazioni	37
15.5 Protocolli	37
15.6 Telecamere.....	38
15.7 Ottiche.....	38
15.8 Ambiente.....	38
15.9 Certificazioni	38

1 Informazioni sul presente manuale

Prima di installare e utilizzare questa unità, leggere attentamente questo manuale. Conservare questo manuale a portata di mano come riferimento futuro.

1.1 Convenzioni tipografiche



PERICOLO!
Pericolosità elevata.
Rischio di scosse elettriche. Prima di eseguire qualsiasi operazione assicurarsi di togliere tensione al prodotto, salvo diversa indicazione.



PERICOLO!
Superficie calda.
Evitare il contatto. Le superfici sono calde e potrebbero causare danni alla persona in caso di contatto.



PERICOLO!
Pericolo di natura meccanica.
Rischio di schiacciamento o cesoiamento.



ATTENZIONE!
Pericolosità media.
L'operazione è molto importante per il corretto funzionamento del sistema. Si prega di leggere attentamente la procedura indicata e di eseguirla secondo le modalità previste.



INFO
Descrizione delle caratteristiche del sistema.
Si consiglia di leggere attentamente per comprendere le fasi successive.

2 Note sul copyright e informazioni sui marchi commerciali

I nomi di prodotto o di aziende citati sono marchi commerciali o marchi commerciali registrati appartenenti alle rispettive società.

3 Norme di sicurezza



ATTENZIONE! L'impianto elettrico al quale è collegata l'unità deve essere dotato di un interruttore di protezione bipolare automatico da 20A max. Tale interruttore deve essere di tipo Listed. La distanza minima tra i contatti deve essere di 3mm. L'interruttore deve essere provvisto di protezione contro la corrente di guasto verso terra (differenziale) e la sovracorrente (magnetotermico).



ATTENZIONE! L'installazione e la manutenzione del dispositivo deve essere eseguita solo da personale tecnico qualificato.



ATTENZIONE! Per assicurare la protezione contro il rischio di incendio, sostituire i fusibili con lo stesso tipo e valore. I fusibili devono essere sostituiti solo da personale qualificato.



ATTENZIONE! L'installazione è di tipo TNV-1. Non collegare a circuiti SELV.



ATTENZIONE! Per ridurre il rischio di incendio usare solamente cavi certificati UL Listed o CSA aventi dimensioni maggiori o uguali a 0.13mm² (26 AWG).

- Il produttore declina ogni responsabilità per eventuali danni derivanti da un uso improprio delle apparecchiature menzionate in questo manuale. Si riserva inoltre il diritto di modificarne il contenuto senza preavviso. Ogni cura è stata posta nella raccolta e nella verifica della documentazione contenuta in questo manuale. Il produttore, tuttavia, non può assumersi alcuna responsabilità derivante dall'utilizzo della stessa. Lo stesso dicasi per ogni persona o società coinvolta nella creazione e nella produzione di questo manuale.

- Prima di eseguire qualsiasi operazione assicurarsi di togliere tensione al prodotto.
- Non utilizzare cavi con segni di usura o invecchiamento.
- Non effettuare per nessun motivo alterazioni o collegamenti non previsti in questo manuale. L'uso di apparecchi non idonei può portare a gravi pericoli per la sicurezza del personale e dell'impianto.
- Utilizzare solo parti di ricambio originali. Pezzi di ricambio non originali potrebbero causare incendi, scariche elettriche o altri pericoli.
- Prima di procedere con l'installazione, controllare che il materiale fornito corrisponda alle specifiche richieste esaminando le etichette di marcatura (4.2 Marcatura del prodotto, pagina 10).
- Questo dispositivo è stato progettato per essere installato in maniera permanente su un edificio o su una struttura adeguata. Il dispositivo deve essere installato in maniera permanente prima di effettuare qualsiasi operazione.
- La categoria di installazione (detta anche categoria di sovratensione) specifica i livelli della tensione transitoria di rete alla quale l'apparato è soggetto. La categoria dipende dal luogo di installazione e dalla presenza di dispositivi di protezione contro le sovratensioni. Un dispositivo per ambienti industriali, connesso ai rami principali dell'impianto di alimentazione è soggetto alla categoria di installazione III. Se questo è il caso, è richiesta una riduzione alla categoria II. Ciò può essere ottenuto utilizzando un trasformatore di isolamento con schermatura connessa a terra tra il primario ed il secondario, o tramite l'impiego di dispositivi di protezione contro le sovratensioni (SPD), UL listed, connessi tra la fase ed il neutro a tra il neutro e terra. I dispositivi SPD UL listed, dovranno essere predisposti per limitare sovratensioni transitorie in modo ripetitivo e per la seguenti condizioni nominali di funzionamento: Tipo 2 (Dispositivi SPD connessi permanentemente alla rete di alimentazione, per installazioni dal lato del carico del dispositivo di servizio); Corrente nominale di scarica (In) 20kA minimi. Si possono utilizzare ad esempio: FERRAZ SHAWMUT, ST23401PG-CN, ST240SPG-CN specificati per 120Vac/240Vac, (In=20kA). La distanza massima tra l'installazione e la riduzione è di 5m.
- Un dispositivo di scollegamento, prontamente e facilmente accessibile, deve essere incorporato nell'impianto elettrico dell'edificio per un intervento rapido.
- Il terminale di terra disponibile nel prodotto deve essere collegato permanentemente alla terra.
- Parti mobili pericolose. Non avvicinare dita e altre parti del corpo.
- Collegare il dispositivo ad una sorgente d'alimentazione corrispondente a quella indicata nell'etichetta di marcatura. Prima di procedere con l'installazione verificare che la linea elettrica sia opportunamente sezionata. La tensione di alimentazione non deve eccedere i limiti ($\pm 10\%$).
- L'alimentazione deve essere fornita da una sorgente isolata di tipo SELV, 24Vac, 8A derivata da un trasformatore a doppio isolamento UL Listed, opportunamente protetto in uscita.
- Il dispositivo va montato in modo da non essere accessibile al personale diverso dal tecnico/ installatore in quanto, essendo dotato di parti mobili, rimane residuo il pericolo di ferirsi a seguito dei movimenti delle parti mobili.
- Applicare l'etichetta Parti Mobili Pericolose vicino all'unità (Fig. 3, pagina 11).
- Non utilizzare l'apparecchio in presenza di sostanze infiammabili.
- Per la connessione della linea di alimentazione utilizzare l'apposita scatola di connessione (UPTJ BUL). Per ulteriori informazioni fare riferimento al manuale d'uso ed installazione del prodotto.

- Non permettere l'uso dell'apparecchio a bambini o personale non autorizzato.
- L'apparecchio si considera disattivato soltanto quando l'alimentazione è stata tolta e i cavi di collegamento con altri dispositivi sono stati rimossi.
- La manutenzione del dispositivo deve essere eseguita solo da personale qualificato. Durante le operazioni di manutenzione l'operatore è esposto al rischio di folgorazione o ad altri pericoli.
- Utilizzare solo gli accessori indicati dal costruttore. Qualsiasi cambiamento non espressamente approvato dal costruttore fa decadere la garanzia.
- Prima di collegare tutti i cavi di segnale verificare che l'unità sia opportunamente collegata al circuito di terra.
- Se il dispositivo deve essere rimosso dall'impianto, scollegare sempre per ultimo il cavo di terra.
- Adottare le dovute precauzioni per evitare di danneggiare l'apparecchiatura con scariche elettrostatiche.
- L'unità è stata realizzata per essere collegata con cavo tripolare. Seguire le indicazioni per un corretto collegamento del circuito di terra descritte nel presente manuale.
- Maneggiare con cura l'unità, forti sollecitazioni meccaniche potrebbero danneggiarla.
- Porre particolare attenzione alle distanze di isolamento tra la linea di alimentazione e tutti gli altri cavi compresi i dispositivi di protezione contro i fulmini.
- È possibile trasportare il dispositivo solo prestando la massima attenzione. Fermate brusche, dislivelli e impatti violenti possono causare danneggiamenti all'oggetto o ferite per l'utente.

4 Identificazione

4.1 Descrizione e designazione del prodotto

ULISSE RADICAL è il primo sistema PTZ Full HD di rete di Videotec pronto all'uso che integra eccezionali combinazioni di ottica e telecamera, Full HD 1080p, 60fps e sensori da 1/2".

Per rispondere alle più esigenti specifiche di video sorveglianza questa unità PTZ può essere equipaggiata in custodia con ottiche da 18x oppure 33x.

ULISSE RADICAL è certificato ONVIF Profilo S ed è quindi compatibile con la maggior parte dei VMS sul mercato: per un controllo completo, l'unità implementa i comandi ausiliari per tergicristallo, pompa, faro e riscaldamento.

Se il VMS non supporta tali funzioni, ULISSE RADICAL è corredato del PTZ Assistant, un'applicazione che arricchisce il desktop e permette l'utilizzo delle funzioni del brandeggio senza limitazioni.

L'eccezionale fluidità di movimento è garantita dai potenti motori, anche a una velocità minima di 0.02°/sec.

Le prestazioni rimangono ottimali anche nel buio completo grazie ai potenti illuminatori a LED che possono raggiungere distanze fino a 200m.

ULISSE RADICAL è garantito senza restrizioni per 3 anni dal costruttore, telecamera e motori inclusi.

ULISSE RADICAL con zoom 33x offre un sistema di compensazione termica ed filtro anti riverbero (Visible Cut Filter).

Per le sue caratteristiche di precisione, affidabilità e robustezza, questa telecamera PTZ è la soluzione ideale per il controllo video di ampie aree esterne, tra le quali: sorveglianza di frontiere, sorveglianza portuale, sorveglianze perimetrali di lunga distanza, controllo traffico e autostrade, installazioni militari...

4.2 Marcatura del prodotto



Sui brandeggi è applicata una etichetta conforme alla marcatura CE.

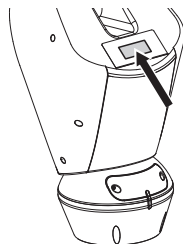


Fig. 1

L'etichetta riporta:

- Codice di identificazione del modello (Codice a barre Extended 3/9).
- Tensione di alimentazione (Volt).
- Frequenza (Hertz).
- Corrente assorbita (Ampere).
- Grado di protezione (IP).
- Numero di serie.

4.2.1 Controllo della marcatura

Prima di procedere con l'installazione controllare che il materiale fornito corrisponda alle specifiche richieste, esaminando le etichette di marcatura.

Non effettuare per nessun motivo alterazioni o collegamenti non previsti in questo manuale. L'uso di apparecchi non idonei può portare a gravi pericoli per la sicurezza del personale e dell'impianto.

5 Versioni

5.1 Illuminatori a LED

 La versione con illuminatori a LED è alimentabile solamente in 24Vac.

Il brandeggio può essere dotato di un supporto per montaggio di 2 illuminatori a LED VIDEOTEC per la visione notturna (illuminatori non inclusi).

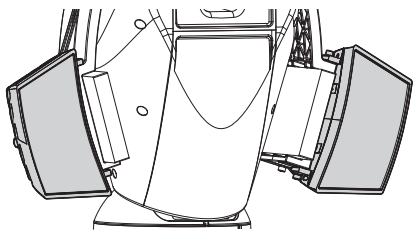




Fig. 2


 Per ulteriori informazioni fare riferimento al relativo capitolo (7.8 Montaggio degli illuminatori a LED, pagina 20).

6 Preparazione del prodotto per l'utilizzo

 Qualsiasi cambiamento non espressamente approvato dal costruttore fa decadere la garanzia.

 L'unità non deve essere smontata o manomessa. Le uniche eccezioni sono quelle che riguardano le operazioni di montaggio e manutenzione previste nel presente manuale.

6.1 Precauzioni di sicurezza prima dell'utilizzo

 L'apparecchiatura comprende parti mobili. Assicurarsi che l'unità venga posizionata in un'area non accessibile durante le normali condizioni di funzionamento. Applicare l'apposita etichetta fornita assieme all'apparecchio nelle sue vicinanze ed in modo ben visibile.



ATTENZIONE
PARTI MOBILI PERICOLOSE - NON AVVICINARE DITA E ALTRE PARTI DEL CORPO

WARNING
HAZARDOUS MOVING PARTS -KEEP FINGERS AND OTHER BODY PARTS AWAY

ATTENTION
PARTIES MOBILES DANGEREUS - NE PAS APPROCHER LES DOIGTS OU D'AUTRES PARTIES DU CORPS

ACHTUNG
GEFÄHRLICHE LOSTEILE - FINGER UND ANDERE KÖRPERTEILE FERNHALTEN

Fig. 3

6.2 Disimballaggio

Alla consegna del prodotto verificare che l'imballo sia integro e non abbia segni evidenti di cadute o abrasioni.

In caso di evidenti segni di danno all'imballo contattare immediatamente il fornitore.

Conservare l'imballo nel caso sia necessario inviare il prodotto in riparazione.

i Disimballare il tettuccio del dispositivo avendo cura di non danneggiare la custodia.

6.2.1 Rimozione dell'imballo protettivo

Prima di installare il dispositivo è necessario rimuovere l'imballo protettivo.

6.2.1.1 Apertura della custodia

Svitare le viti antiperdita poste sui fianchi e sollevare la parte superiore della custodia.

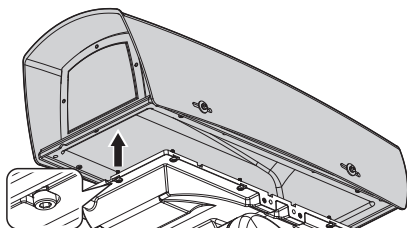


Fig. 4

i Serrare per prime le due viti centrali come illustrato in figura.

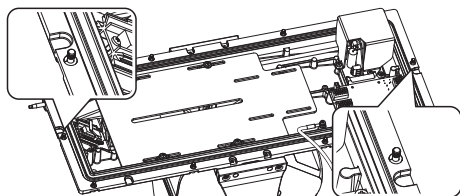


Fig. 5

i Al termine delle operazioni di installazione e cablaggio richiudere il prodotto.

6.2.1.2 Estrazione dell'imballo protettivo

Dopo aver aperto la custodia, estrarre l'imballaggio protettivo.

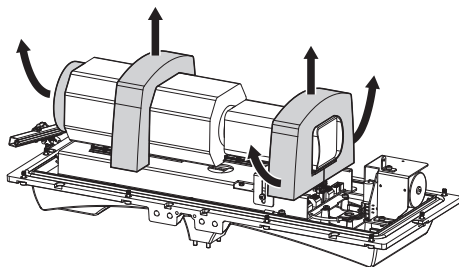


Fig. 6

6.3 Contenuto

Controllare che il contenuto sia corrispondente alla lista del materiale sotto elencata:

- Unità di posizionamento
- Base di alimentazione
- Imballo degli accessori:
 - Adattatore seriale
 - Cavo prolunga seriale
 - Chiavi a brugola
 - Distanziali
 - Etichetta
 - Fascette
 - Ferrite
 - Guaina siliconica
 - Guarnizioni di riduzione per pressacavi
 - Manuale di istruzioni
 - Piastra di fissaggio per sacchetto disidratante
 - Viteria
- Imballo dei contrappesi:
 - Contrappesi
 - Supporti per contrappesi
- Tettuccio

6.4 Smaltimento in sicurezza dei materiali di imballaggio

I materiali d'imballo sono costituiti interamente da materiale riciclabile. Sarà cura del tecnico installatore smaltirli secondo le modalità di raccolta differenziata o comunque secondo le norme vigenti nel Paese di utilizzo.

In caso di restituzione del prodotto malfunzionante è consigliato l'utilizzo dell'imballaggio originale per il trasporto.

6.5 Lavoro preparatorio prima dell'installazione

6.5.1 Fissaggio del supporto

⚠ Per installazioni soggette a vibrazioni utilizzare solamente il supporto da parapetto.

Sono disponibili diversi tipi di supporto (10 Accessori, pagina 34). Scegliere il supporto adeguato all'installazione e seguire tutte le istruzioni nel capitolo indicato.

⚠ Porre particolare attenzione ai sistemi di fissaggio dell'apparecchiatura. Il sistema di fissaggio deve essere in grado di reggere almeno 4 volte il peso dell'intera apparecchiatura, comprensiva di brandeggio, lenti e telecamera.

⚠ Il dispositivo deve essere montato in posizione verticale. Ogni posizionamento alternativo potrebbe compromettere le prestazioni dell'apparecchiatura.

⚠ Non montare il dispositivo capovolto.

6.5.2 Passaggio cavi

⚠ I cavi di collegamento non devono essere accessibili dall'esterno. I cavi devono essere opportunamente fissati al sostegno per evitare che l'eccessivo peso ne comporti lo sfilamento accidentale.

⚠ I cavi utilizzati devono essere conformi al tipo di installazione.

Introdurre i cavi all'interno del supporto in modo che fuoriescano per circa 50cm.

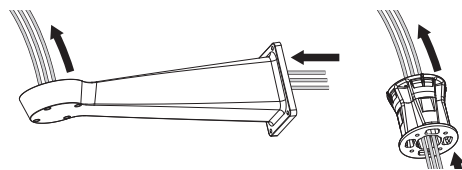


Fig. 7

7 Installazione



Non effettuare per nessun motivo alterazioni o collegamenti non previsti in questo manuale. Il mancato rispetto delle indicazioni fornite nel manuale in merito ai collegamenti può portare a gravi pericoli per la sicurezza del personale e dell'impianto.



Non modificare i cablaggi già presenti nel prodotto. Il mancato rispetto di questa indicazione può portare a gravi pericoli per la sicurezza del personale e dell'impianto, oltre a far decadere la garanzia.



In caso di utilizzo del kit lavavetro, il supporto per l'ugello deve essere installato prima del posizionamento del brandeggio dei cablaggi. Per ulteriori chiarimenti, fare riferimento al manuale del kit specifico.

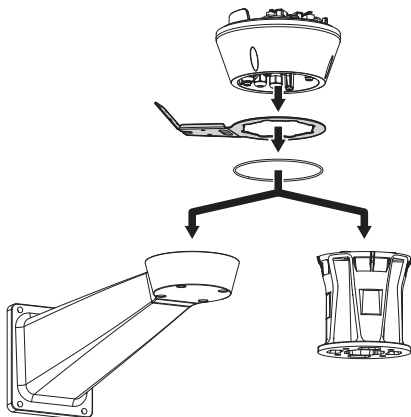


Fig. 8



All'interno della calotta inferiore è presente un sacchetto disidratante utile per evitare la formazione di umidità nella base ed in corrispondenza alle schede connettori. Rimuovere il sacchetto prima dell'installazione.

7.1 Collegamento dei cavi alla base

Introdurre i cavi all'interno dei pressacavi tenendo la base a circa 20cm dal supporto. Serrare i pressacavi. I pressacavi sono adatti per cavi con diametro compreso tra 5mm e 10mm.

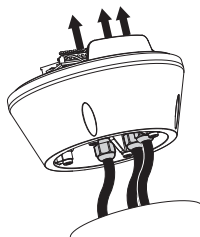


Fig. 9



Prestare attenzione durante il fissaggio. Coppia di serraggio: 5Nm.



Per cavi di diametro da 3mm a 7mm utilizzare gli appositi gommini in dotazione.

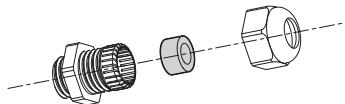


Fig. 10

7.2 Fissaggio della base al supporto

⚠ Utilizzare le viti e le rondelle fornite con la base.

Dopo aver posizionato la guarnizione (01), fissare la base (02) sul supporto (03) utilizzando le viti (04), le rondelle dentellate (05) e gli anelli per vite (06).

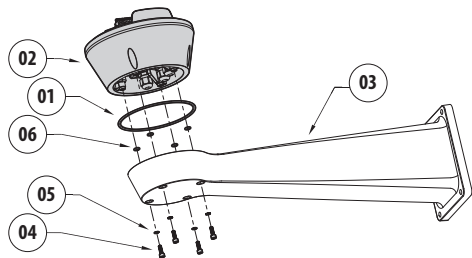


Fig. 11

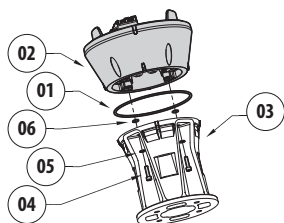


Fig. 12

Allineare le 3 tacche sulla base con quelle presenti sui supporti come illustrato nella figura seguente.

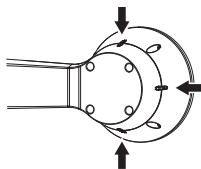


Fig. 13

⚠ Applicare del frenafili nei fori delle viti (Loctite 243®).

⚠ Prestare attenzione durante il fissaggio. Coppia di serraggio: 6Nm.

7.3 Descrizione della scheda connettori

DESCRIZIONE DELLA SCHEDA CONNETTORI

Connettore/Componente	Funzione
CN1	Alimentazione della scheda
CN4	Cavi di segnale
Ethernet	Ethernet
F1	Fusibile
F2	Fusibile

Tab. 1

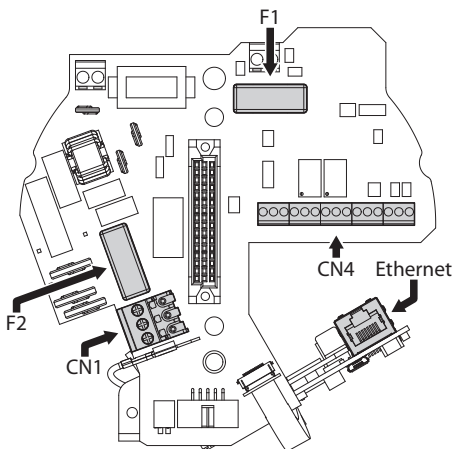


Fig. 14

7.4 Collegamento della linea di alimentazione

A seconda della versione, al dispositivo possono essere fornite diverse tensioni di alimentazione. Il loro valore è riportato nell'etichetta identificativa del prodotto (4.2 Marcatura del prodotto, pagina 10).



Eeguire le connessioni elettriche in assenza di alimentazione e con dispositivo di sezionamento aperto.



All'atto dell'installazione controllare che le caratteristiche di alimentazione fornite dall'impianto corrispondano a quelle richieste dal dispositivo.



Controllare che le fonti di alimentazione ed i cavi di collegamento siano in grado di sopportare il consumo del sistema.



Il cavo di terra deve essere più lungo degli altri due di circa 10mm per prevenirne il distacco accidentale a causa dello stiramento.



Il cavo di alimentazione deve essere coperto con la guaina siliconica (01) presente nella dotazione. La guaina siliconica deve essere fissata con l'apposita fascetta (02).

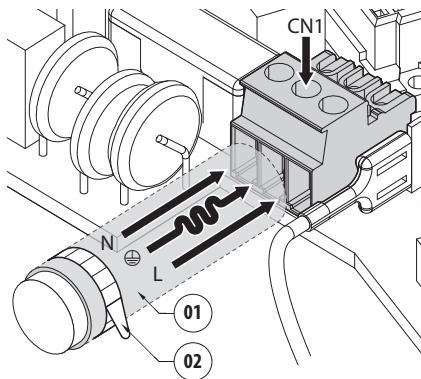


Fig. 15

7.4.1 Collegamento della linea di alimentazione in 24Vac

Tagliare a misura i cavi e realizzare i collegamenti. Collegare la linea di alimentazione al seguente morsetto: CN1.

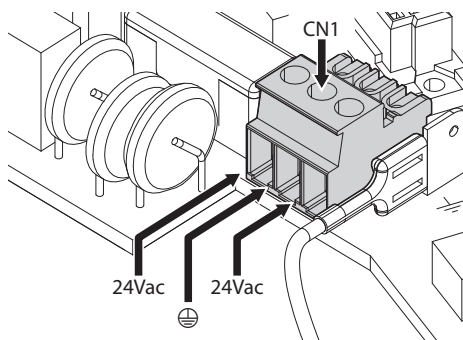


Fig. 16

Collegare i cavi di alimentazione come descritto nella tabella sottostante.

COLLEGAMENTO DELLA LINEA DI ALIMENTAZIONE	
Colore	Morsetti
Alimentazione 24Vac	
Definito dall'installatore	24Vac
Definito dall'installatore	24Vac
Giallo/Verde	GND/⚡

Tab. 2

7.4.2 Collegamento della linea di alimentazione in 120Vac e 230Vac

Tagliare a misura i cavi e realizzare i collegamenti. Collegare la linea di alimentazione al seguente morsetto: CN1.

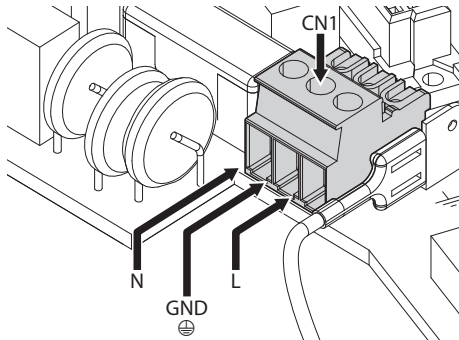


Fig. 17

Collegare i cavi di alimentazione come descritto nella tabella sottostante.

COLLEGAMENTO DELLA LINEA DI ALIMENTAZIONE	
Colore	Morsetti
Alimentazione 230Vac	
Blu	N (Neutro)
Marrone	L (Fase)
Giallo/Verde	GND/⚡
Alimentazione 120Vac	
Blu	N (Neutro)
Marrone	L (Fase)
Giallo/Verde	GND/⚡

Tab. 3

7.4.3 Collegamento degli ingressi di allarme, dell'interruttore crepuscolare e dei relè



ATTENZIONE! L'installazione è di tipo TNV-1. Non collegare a circuiti SELV.



ATTENZIONE! Per ridurre il rischio di incendio usare solamente cavi aventi sezioni maggiori o uguali a 0.13mm² (AWG 26).

Versione standard

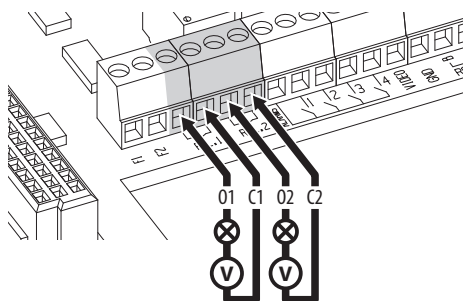


Fig. 18 Collegamento dei contatti dei relè.

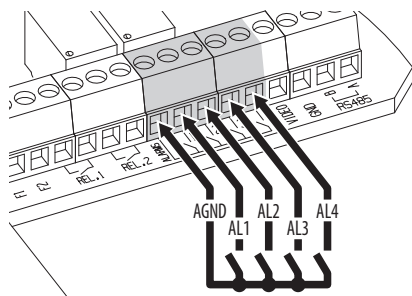


Fig. 19 Collegamento degli allarmi.

Versione con illuminatori a LED

COLLEGAMENTO DEGLI INGRESSI DI ALLARME, DELL'INTERRUTTORE CREPUSCOLARE E DEI RELÈ

AL1, AL2, AL3, AL4 e AGND	Ingressi di allarme auto-alimentati riferiti al morsetto comune AGND
O1-C1 e O2-C2	Contatti puliti di uscita attivabili da allarme o da comando utente

Tab. 4

7.5 Collegamento del cavo di rete Ethernet

Collegare il cavo Ethernet al connettore (7.3 Descrizione della scheda connettori, pagina 15).

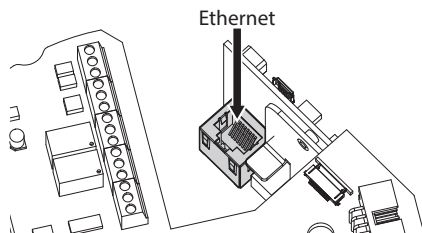


Fig. 20

7.6 Fissaggio del corpo superiore

Fissare il corpo superiore (01) alla base (02) tramite le viti di fissaggio (03) dotate di guarnizioni (04). Controllare che sia presente e in buono stato la guarnizione della base (05).

⚠ Prestare attenzione durante il fissaggio. Coppia di serraggio: 4Nm.

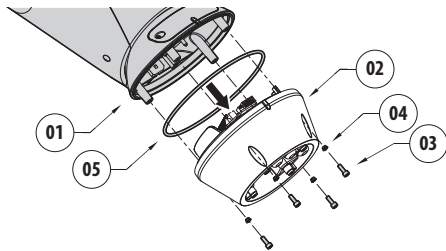


Fig. 21

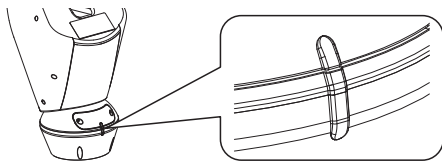


Fig. 22

i Esiste un'unica posizione di ancoraggio tra la base e corpo superiore. Allineare le sporgenze laterali per un corretto posizionamento.

7.7 Montaggio dei contrappesi

Fissare i contrappesi alla custodia usando le viti e le rondelle in dotazione.

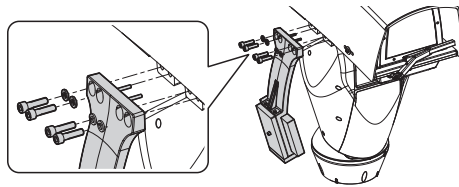


Fig. 23

⚠ Applicare del frenafletti nei fori delle viti (Loctite 243®).

⚠ Prestare attenzione durante il fissaggio. Coppia di serraggio: 16Nm.

7.8 Montaggio degli illuminatori a LED

! Per un corretto funzionamento si devono sempre installare entrambi gli illuminatori.

i Sul brandeggio è possibile installare esclusivamente illuminatori VIDEOTEC.

7.8.1 Rimozione dei contrappesi

Svitare le viti e rimuovere i contrappesi esterni.

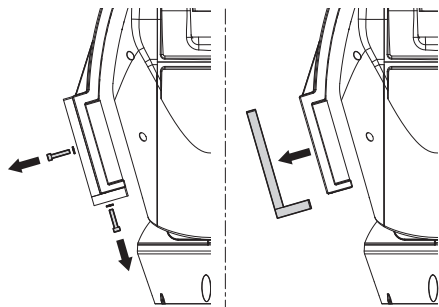


Fig. 24

7.8.2 Montaggio dell'illuminatore sulla staffa

Individuare i fori anteriori presenti sulla staffa del contrappeso.

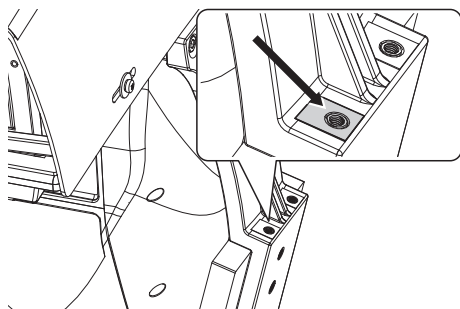


Fig. 25

Posizionare i fissaggi dell'illuminatore (01) su quelli della staffa (02).

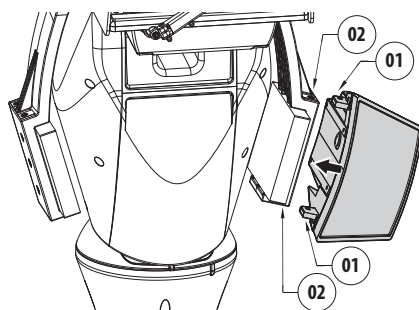


Fig. 26

Avvitare le viti con le rondelle precedentemente rimosse.

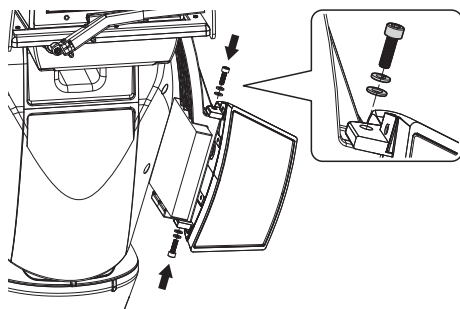
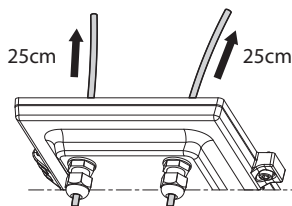


Fig. 27

! Prestare attenzione durante il fissaggio.
Coppia di serraggio: 6Nm.

7.9 Collegamento degli illuminatori a LED

Inserire i cavi di alimentazione per almeno 25cm attraverso i pressacavi.



⚠ Per non compromettere la sicurezza e il funzionamento dell'unità non lasciare eccedenza di cavo all'esterno.

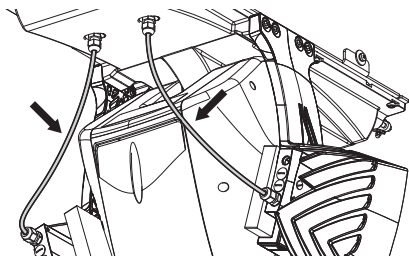


Fig. 28

Collegare i cavi come illustrato in figura.

L'illuminatore sinistro (MASTER) deve essere connesso al connettore J15. L'illuminatore destro (SLAVE) deve essere connesso al connettore J9.

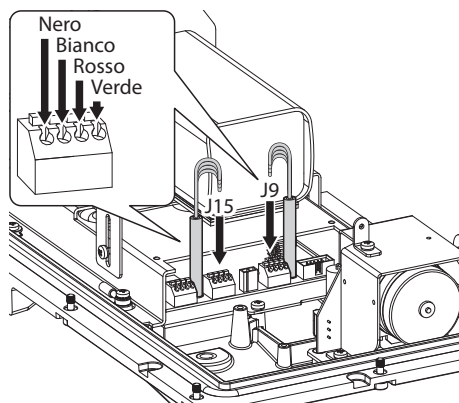


Fig. 29

7.10 Regolazione degli illuminatori a LED e modalità di sincronizzazione con la telecamera

⚠ Una volta effettuata la regolazione l'illuminatore di sinistra (MASTER) sincronizza e controlla l'illuminatore di destra (SLAVE).

L'interruttore crepuscolare rileva la luce ambientale e controlla l'accensione e lo spegnimento degli illuminatori quando la luminosità raggiunge il livello impostato dall'utilizzatore.

Quando gli illuminatori a LED sono attivi la telecamera passa in modalità notte tramite l'apposito comando ONVIF.

7.10.1 Descrizione dell'illuminatore a LED

⚠ Per non compromettere la sicurezza e il funzionamento dell'illuminatore non rimuovere le vite trasparenti del sensore crepuscolare.

- **Sensore crepuscolare:** Rileva il livello di luminosità.
- **Cavo:** Alimentazione e controllo.
- **Regolatore soglia accensione:** Il potenziometro permette di regolare il livello di sensibilità per l'accensione dell'illuminatore.
- **Regolatore potenza infrarossi:** Il potenziometro permette di regolare la potenza dell'illuminatore.

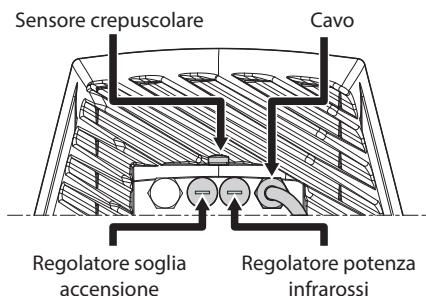


Fig. 30

7.10.2 Sincronizzazione con un interruttore crepuscolare esterno

Per sincronizzare gli illuminatori e la telecamera con un crepuscolare esterno è necessario:

- Collegare l'interruttore crepuscolare ai morsetti: AL1/AGND (7.4.3 Collegamento degli ingressi di allarme, dell'interruttore crepuscolare e dei relè, pagina 18).
- Regolare l'illuminatore sinistro (MASTER):
 - **Soglia di accensione:** Impostare il valore su OFF (7.10.5 Regolazione della soglia di accensione degli illuminatori a LED, pagina 23).
 - **Potenza degli infrarossi:** Impostare il valore secondo necessità (7.10.6 Regolazione della potenza degli illuminatori a LED, pagina 23).
- Regolare l'illuminatore destro (SLAVE):
 - **Soglia di accensione:** Impostare il valore al massimo (7.10.5 Regolazione della soglia di accensione degli illuminatori a LED, pagina 23).
 - **Potenza degli infrarossi:** Impostare il valore al minimo (7.10.6 Regolazione della potenza degli illuminatori a LED, pagina 23).

Dalla voce Sonda IR selezionare l'opzione Esterna (9.1.12 Parametri Camera, pagina 32).

Nella scheda I/O Digitali impostare i valori nel seguente modo (9.1.10 I/O Digitali, pagina 31):

- **ID Allarme:** 1
- **Tipo:** NORMALMENTE APERTO
- **Azione:** IR_FILTER

7.10.3 Sincronizzare l'unità con gli illuminatori a LED

Per sincronizzare l'unità con gli illuminatori a LED è necessario:

- Regolare l'illuminatore sinistro (MASTER):
 - **Soglia di accensione:** Impostare il valore secondo necessità (7.10.5 Regolazione della soglia di accensione degli illuminatori a LED, pagina 23).
 - **Potenza degli infrarossi:** Impostare il valore secondo necessità (7.10.6 Regolazione della potenza degli illuminatori a LED, pagina 23).

- Regolare l'illuminatore destro (SLAVE):
 - **Soglia di accensione:** Impostare il valore al massimo (7.10.5 Regolazione della soglia di accensione degli illuminatori a LED, pagina 23).
 - **Potenza degli infrarossi:** Impostare il valore al minimo (7.10.6 Regolazione della potenza degli illuminatori a LED, pagina 23).

Dalla voce Parametri Camera selezionare l'opzione Interna (9.1.12 Parametri Camera, pagina 32).

7.10.4 Attivazione manuale degli illuminatori a LED

Se si desidera attivare l'illuminatore a LED è necessario:

- Regolare l'illuminatore sinistro (MASTER):
 - **Soglia di accensione:** Impostare il valore su OFF (7.10.5 Regolazione della soglia di accensione degli illuminatori a LED, pagina 23).
 - **Potenza degli infrarossi:** Impostare il valore secondo necessità (7.10.6 Regolazione della potenza degli illuminatori a LED, pagina 23).
- Regolare l'illuminatore destro (SLAVE):
 - **Soglia di accensione:** Impostare il valore al massimo (7.10.5 Regolazione della soglia di accensione degli illuminatori a LED, pagina 23).
 - **Potenza degli infrarossi:** Impostare il valore al minimo (7.10.6 Regolazione della potenza degli illuminatori a LED, pagina 23).

7.10.5 Regolazione della soglia di accensione degli illuminatori a LED

! L'illuminatore destro deve sempre essere impostato a luminosità massima.

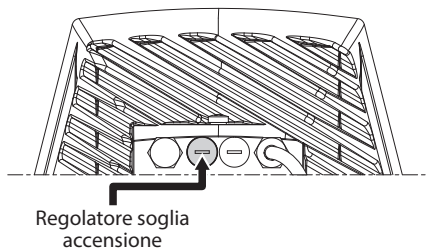


Fig. 31

L'illuminatore ha un sensore crepuscolare integrato che consente l'accensione e lo spegnimento automatico a condizioni luminose prestabilite.

La regolazione del sensore crepuscolare è effettuata in fabbrica ad un livello luminoso prefissato ed idoneo alla maggior parte delle installazioni (circa 50lx). Nel caso si voglia regolare in maniera diversa la soglia di intervento, svitare il tappo posizionato sul retro dell'illuminatore e provvedere alla regolazione tramite un cacciavite.

Ruotando il trimmer in senso orario la commutazione in modalità notturna è anticipata (ad un valore di luminosità maggiore). Ruotando il trimmer in senso antiorario la commutazione in modalità notturna è ritardata (ad un valore di luminosità inferiore).

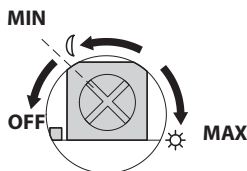


Fig. 32

Attendere le condizioni di luminosità adeguate per l'accensione dell'illuminatore. Ruotare lentamente il trimmer fino all'accensione del LED presente a lato del trimmer. Una volta oltrepassata la soglia di intervento (LED acceso), ruotare leggermente in senso opposto.

! Al termine delle regolazioni accertarsi che il tappo di chiusura sia adeguatamente serrato per garantire la tenuta ermetica del prodotto.

7.10.6 Regolazione della potenza degli illuminatori a LED

! L'illuminatore destro deve sempre essere impostato a potenza minima.

i L'illuminatore è regolato in fabbrica per erogare la massima potenza. Qualora non servisse illuminare dettagli lontani o se l'immagine risultasse sovraesposta per l'eccessiva luminosità, diminuire la potenza, ottenendo inoltre un risparmio energetico.

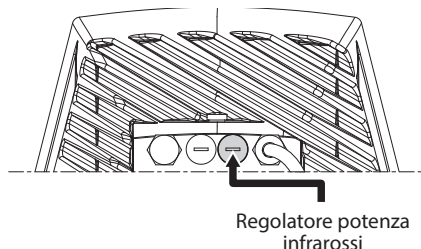


Fig. 33

Svitare il tappo di chiusura ermetica. Ruotare il trimmer in senso orario per aumentare la potenza degli infrarossi e in senso antiorario per diminuirla.



Fig. 34

! Al termine delle regolazioni accertarsi che il tappo di chiusura sia adeguatamente serrato per garantire la tenuta ermetica del prodotto.

7.11 Fissaggio della spazzola del tergicristallo

Inserire la spazzola sull'albero del tergicristallo.

Mettere la spazzola nella posizione di riposo.

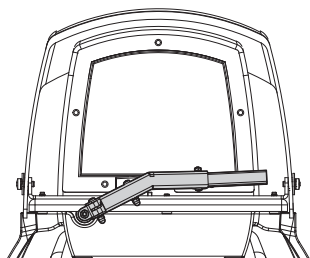


Fig. 35

Fissare il tutto tramite la rondella dentellata e il dado.

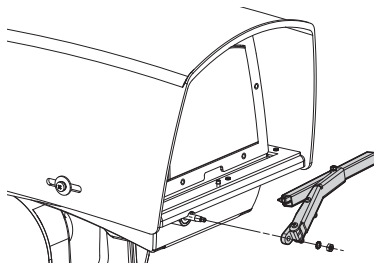


Fig. 36

i La regolazione corretta deve permettere alla spazzola di ritornare nella posizione di riposo andando in battuta sulla piastra del corpo.

8 Accensione



Assicurarsi che l'unità e gli altri componenti dell'impianto siano chiusi in modo idoneo a impedire il contatto con componenti sotto tensione.



Durante il normale funzionamento la superficie dell'illuminatore può raggiungere temperature elevate. Evitare il contatto diretto e posizionare l'apparecchiatura in luogo non accessibile al personale non autorizzato. Per qualunque operazione di manutenzione spegnere il dispositivo d'illuminazione e lasciarlo raffreddare per almeno 10 minuti.



Non sostare nei pressi del dispositivo quando alimentato. Agire sul dispositivo solo in assenza di alimentazione.



Accertarsi che tutte le parti siano fissate in maniera solida ed affidabile.



La procedura di preriscaldamento automatico (De-Ice) si potrebbe attivare tutte le volte che il dispositivo viene acceso ad una temperatura ambiente inferiore a 0°C. La procedura serve a garantire la corretta funzionalità del dispositivo anche alle basse temperature. La durata varia tra 60 e 105 minuti a seconda delle condizioni.

Collegare l'alimentazione elettrica per accendere l'unità.

Scollegare l'alimentazione elettrica per spegnere l'unità.

9 Configurazione

9.1 Interfaccia web

i Alla prima connessione assegnare un indirizzo diverso da 192.168.0.100.

i Browser supportati: Microsoft Internet Explorer, Google Chrome, Mozilla Firefox.

i Il MAC Address è riportato sull'etichetta presente sulla scheda CPU.

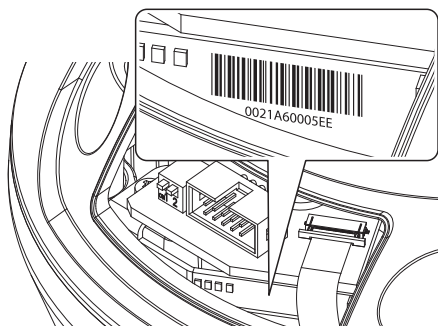


Fig. 37

La prima operazione per configurare il brandeggio consiste nel connettersi alla sua interfaccia web.

Nelle impostazioni predefinite il brandeggio è configurato per acquisire autonomamente un indirizzo mediante protocollo DHCP ed è possibile rilevare il dispositivo mediante il protocollo ONVIF, profilo S.

Nel caso in cui non sia disponibile alcun server DHCP, il brandeggio provvederà automaticamente a configurarsi con l'indirizzo 192.168.0.100.

Nel caso in cui non fosse disponibile un VMS con funzionalità di Auto Discovery mediante ONVIF, l'indirizzo acquisito può essere letto nei log del server DHCP.

Per accedere al brandeggio sarà sufficiente collegarsi con un browser all'indirizzo `http://indirizzo_ip` e effettuare il login al brandeggio con le credenziali predefinite:

- **Username:** admin
- **Password:** admin

9.1.1 Home

Se il login viene effettuato con successo verrà mostrata l'interfaccia di gestione del brandeggio.



Fig. 38

9.1.2 Controlli Utente

Per controllare il brandeggio via browser, selezionare la voce Controlli Utente. Si aprirà una nuova finestra con una tastiera virtuale per inviare i comandi.

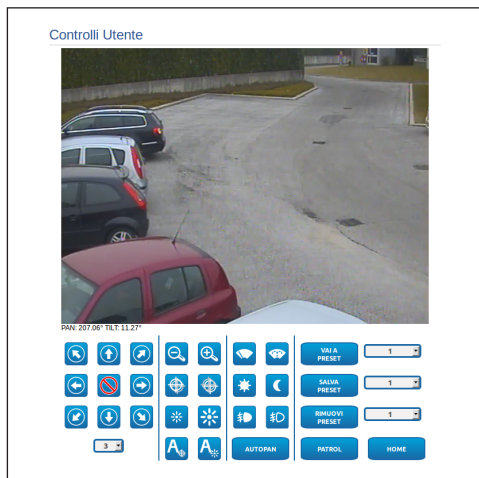


Fig. 39

Nella tastiera virtuale si trovano i seguenti comandi:

- **Selettore velocità:** Permette di selezionare la velocità dei movimenti del brandeggio.



Fig. 40

- **Zoom wide/Zoom tele**



Fig. 41

- **Focus far/Focus near/Auto focus**



Fig. 42

- **Iris close/Iris open/Auto iris**



Fig. 43

- **Wiper/Washer**



Fig. 44

- **Day:** Attiva il filtro IR della camera. Se presenti, spegne gli illuminatori a LED.



Fig. 45

- **Night:** Disattiva il filtro IR della camera. Se presenti, accende gli illuminatori a LED.



Fig. 46

- **Visible Cut Filter On:** Abilita il filtro per il riverbero (nei modelli che ne sono equipaggiati). Questo filtro permette di ottenere immagini nitide (in bianco e nero) con condizioni di foschia o in inquadrature in controluce.



Fig. 47

- **Visible Cut Filter Off:** Disabilita il filtro per il riverbero (nei modelli che ne sono equipaggiati).



Fig. 48

9.1.3 Parametri Dispositivo

Alla voce del menu Parametri Dispositivo è possibile impostare il nome del brandeggio e visualizzare altre informazioni aggiuntive.

Parametri Dispositivo	
Nome Dispositivo	UlisseNet.cam
Codice Prodotto	UPT25VJANO0E
IT serie	113121290001
Indirizzo MAC	00:21:A6:00:07:D8
ID Prodotto	2
Versione Firmware: CPU Board	2.0
Versione Firmware: NET Board	6.0.0
Versione Firmware: NPP Board	6.0.0
Revisione Hardware	0
Major Rev.	0
Minor Rev.	0
Tipo di custodia	0

Fig. 49

9.1.4 Statistiche Dispositivo

Alla voce del menu Statistiche Dispositivo sono riportate per la sola consultazione tutte le statistiche raccolte durante il funzionamento del brandeggio.

Statistiche Dispositivo	
Grati Pan	152684
Grati TR	13182
Accessioni	361
Ore di lavoro	388
Temperatura massima custodia (°C)	36
Temperatura minima custodia (°C)	19
Temperatura massima scheda PAN (°C)	61
Temperatura minima scheda PAN (°C)	22
Temperatura massima scheda CPU (°C)	57
Temperatura minima scheda CPU (°C)	22
Temperatura massima scheda NET (°C)	50
Temperatura minima scheda NET (°C)	20

Fig. 50

9.1.5 Configurazione Rete

Alla voce del menu Configurazione Rete è possibile cambiare l'impostazione di rete del brandeggio. È possibile decidere se il dispositivo debba avere un indirizzo assegnato staticamente, dinamicamente con DHCP o autogenerato. Il dispositivo supporta il protocollo Internet Protocol (IP) in versione 4.

i Con indirizzo autogenerato il dispositivo provvederà automaticamente ad assegnarsi un indirizzo nel range 169.254.0.0/16.

Nella stessa pagina è possibile configurare 2 DNS e decidere quali meccanismi debbano essere attivi per identificare automaticamente i dispositivi nella rete locale.

Configurazione Rete	
Versione IP	IPv4
Tipo indirizzo	STATICO
Indirizzo IP (IPv4)	192.168.103.121
Subnet Mask (IPv4)	255.255.255.0
Gateway (IPv4)	192.168.103.1
Ricerca automatica DNS	DISABILITATO
Server DNS preferito	8.8.4.4
Server DNS alternativo	8.8.8.8
Date & Time	2013-05-27 14:42:16 UTC
Server NTP	DISABILITATO
PC Sync	ATTIVO
UPNP	ATTIVO
Zerocconf	ATTIVO
Multicast discovery	ATTIVO
WS discovery	ATTIVO

Fig. 51

È possibile inoltre specificare se il dispositivo debba sincronizzarsi con un server NTP (Network Time Protocol) esterno.

- **NTP -> DISABILITATO:** Selezionare questa opzione se non si desidera sincronizzare data e ora del dispositivo.
- **NTP -> DHCP:** Selezionare questa opzione nel caso si desideri sincronizzare data e ora del dispositivo con quelle di un server NTP (Network Time Protocol) indicato dal server DHCP.
- **NTP -> STATICO:** Selezionare questa opzione nel caso si desideri sincronizzare data e ora del dispositivo con quelle del server NTP specificato dall'indirizzo statico.

i Per un corretto funzionamento del dispositivo è necessario sincronizzare il brandeggio con il software VMS utilizzando un server NTP.

9.1.6 Configurazione Utenti

Alla voce del menu Configurazione Utenti è possibile amministrare gli utenti che possono accedere al brandeggio. Gli utenti di tipo Administrator possono accedere alla configurazione del prodotto. Gli utenti di tipo Operator, User e Anonymous hanno accesso limitato alle pagine di gestione.



Fig. 52

i Il dispositivo può essere configurato solo da utenti con privilegi di amministratore.

9.1.7 Parametri Movimento

Alla voce del menu Parametri Movimento è possibile controllare via web tutti i parametri del brandeggio.

- **Offset Pan:** Il brandeggio ha una posizione di 0° definita meccanicamente. La funzione Offset Pan permette di definire via software una diversa posizione di 0°.
- **Velocità Massima:** Imposta la velocità manuale massima.
- **Velocità Con Zoom:** Abilita l'opzione Velocità con Zoom. Tale parametro, se abilitato, riduce automaticamente la velocità di Pan e Tilt in funzione del fattore di Zoom.
- **Fattore Tilt:** Imposta il fattore di riduzione della velocità manuale dell'asse tilt.
- **Limiti Pan:** Abilita i limiti del Pan.
- **Pan Inizio:** Imposta il limite iniziale del Pan.
- **Pan Fine:** Imposta il limite finale del Pan.
- **Tilt Inizio:** Imposta il limite iniziale del Tilt.
- **Tilt Fine:** Imposta il limite finale del Tilt.



Fig. 53

9.1.7.1 Autopan

Nella sottosezione Autopan è possibile specificare il preset di inizio e di fine dell'autopan.

Fig. 54

9.1.7.2 Patrol

Nella sottosezione Patrol è possibile specificare il preset di inizio e di fine del patrol. È inoltre possibile specificare se la scansione dei preset debba avvenire in modo casuale o meno.

Fig. 55

9.1.7.3 Richiamo Movimenti

Nella sottosezione Richiamo Movimenti è possibile specificare un intervallo di tempo di inattività terminato il quale il brandeggio provvederà ad eseguire una delle seguenti funzioni: ritorno alla posizione Home, avvio dell'autopan o avvio del patrol.

Fig. 56

9.1.8 Parametri Preset

Alla voce del menu Parametri Preset sono configurabili alcuni parametri relativi ai preset:

- **Velocità Scan:** La velocità in gradi al secondo con cui viene raggiunto un preset su richiesta esplicita dell'operatore.
- **Tipo Di Rampa:** Permette di selezionare le accelerazioni del brandeggio.
- **Velocità Movimenti (Default):** La velocità usata nelle operazioni di autopan e patrol.
- **Imponi Velocità Di Default:** La velocità di default verrà impostata anche come velocità di scan per tutti i preset.
- **Pausa Default:** Il tempo in secondi di permanenza di default in ogni preset.
- **Imponi Pausa Di Default:** La pausa di default verrà impostata per tutti i preset.

Fig. 57

9.1.9 Parametri Preset (Avanzato)

Nella sezione Parametri Preset (Avanzato) è possibile personalizzare i valori di velocità e pausa per ciascun preset, oltre che ad abilitare/disabilitare i preset stessi.

Fig. 58

9.1.10 I/O Digitali

Nella scheda I/O Digitali è possibile configurare i canali digitali presenti nel brandeggio. Segue una breve descrizione dei parametri configurabili per ciascun ingresso digitale.

- **ID Allarme:** Campo utilizzato per selezionare l'ingresso digitale desiderato.
- **Tipo:** Indica lo stato di default dell'ingresso digitale. Può essere impostato su Normalmente Aperto o Normalmente Chiuso.
- **Azione:** A ciascun ingresso può essere associata un'azione. L'azione viene attivata nel momento in cui il contatto passa in uno stato diverso da quello di default. Di seguito sono elencate le azioni disponibili:
 - **NONE:** Nessuna azione.
 - **SCAN:** Posiziona il brandeggio sul preset selezionato.
 - **PATROL:** Attiva il PATROL.
 - **AUTOPAN:** Attiva l'AUTOPAN.
 - **WIPER:** Attiva il Wiper.
 - **WASHER:** Attiva la sequenza di lavaggio del vetro.
 - **RELE' 1:** Attiva il Relè 1.
 - **RELE' 2:** Attiva il Relè 2.
 - **IR FILT:** Disattiva il Filtro IR della camera. Se presenti, accende gli illuminatori a LED.

Per un controllo del corretto funzionamento degli allarmi, nella pagina web è presente un pallino. Il pallino sarà verde in condizioni normali e rosso quando viene rilevato un allarme.

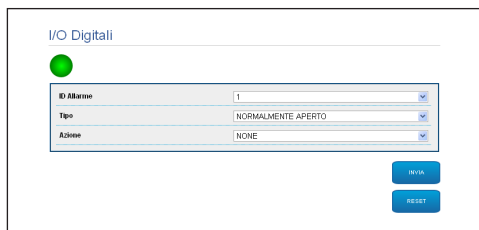


Fig. 59

9.1.11 Washer

La pompa per il lavaggio del brandeggio è configurata nella scheda Washer dove è possibile associare un preset all'operazione di lavaggio, impostare la durata del lavaggio del vetro e specificare il ritardo di attivazione e disattivazione del tergicristallo.

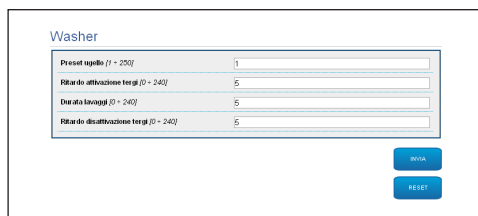


Fig. 60

9.1.12 Parametri Camera

I parametri della camera IP che sono stato impostati al primo avvio sono modificabili alla voce del menu Parametri Camera. Alla voce del menu Parametri Camera è possibile inoltre specificare il fattore di zoom e la precisione della posizione dello zoom. In questa sezione è possibile anche visualizzare i dati relativi ai diversi profili ONVIF esportati dalla camera.

Alla voce del menu Lenti è possibile selezionare una delle seguenti opzioni:

- **Motorizzate:** Controllo da brandeggio.
- **Integrate:** Controllo da telecamera.
- **Fisse:** Non controllabili.

Nel caso di lenti motorizzate sarà possibile impostare la connessione (a filo comune o a polarità inversa) e la polarità di rotazione dello Zoom, del Focus e dell'Iris.

Parametri Camera

Protocollo e Autenticazione

Protocollo	ONVIF PROFILE S
Nome utente	admin
Password	****
Reinserire la password	****

Profili di Streaming

ID Profilo	0
Profilo	0_PROFILE_WITH_AUDIO
Codec	MPEG4
Risoluzione	352 x 240
Limite frame rate	30 fps
Limite bitrate	512 kbps
GOP	120 frames
Zoom abilitato	SI

Caratteristiche Lenti

Lenti	MOTORIZZATE
Fattore di zoom [1 - 50]	15
Intervallo posizionamento lenti [1 - 255]	20
Tipo di motore	POLARITÀ INVERSA
Polarità di rotazione dello Zoom	POSITIVA
Polarità di rotazione del Focus	NEGATIVA
Polarità di rotazione dell'Iris	POSITIVA
Sonda IR	NONE

Buttons: **OK**, **RESET**

Fig. 61

Per modificare le impostazioni della telecamera selezionare il pulsante VTunnel (9.1.13 Strumenti, pagina 32).

9.1.13 Strumenti

Alla voce del menu Strumenti è possibile reimpostare i valori predefiniti per tutta la configurazione del brandeggio o solo per alcune sezioni specifiche.

In questa sezione è inoltre possibile:

- Aggiornare il firmware del dispositivo.
- Riavviare il brandeggio.
- Scaricare l'applicativo VTunnel per abilitare la connessione con la camera IP indispensabile per accedere alla pagina web della stessa.
- Accedere alle pagine web della telecamera.

Strumenti

RESET PRESET	Rimozione di tutti i preset.
RESET PARAMETRI	Reset dei Parametri di Movimento, dei Parametri di Washer e degli IO digitali ai valori di default.
RESET LENTI	Reset delle impostazioni di autenticazione.
RESET RETE	Reset delle impostazioni di rete.
RESET	Reset di tutte le impostazioni.
AGGIORNA FIRMWARE	Aggiornamento del firmware del dispositivo. <input type="button" value="BROWSE..."/> No file selected.
RIAVVIA	Riavvio del dispositivo.
VTUNNEL	Scaricare ed eseguire il programma VTunnel per accedere alla pagina della camera.
CAMERA	Accedi alle pagine web della telecamera.

Fig. 62

9.1.14 Factory Default



Se la password di accesso non è più disponibile, è possibile ripristinare le impostazioni di fabbrica tramite un tasto di Reset, situato all'interno del prodotto.

Per ripristinare le impostazioni di fabbrica relative alla rete, all'accesso utenti e alla configurazione della camera seguire la procedura:

- Alimentare l'unità.
- Aprire lo sportellino dei DIP-switch.
- Localizzare il DIP-switch 4 (01). Portare lo switch 1 verso il basso, valore 1 (ON).
- Attendere lo spegnimento temporaneo dei LED (02).
- Riportare lo switch 1 verso l'alto, valore 0 (OFF).
- Chiudere lo sportellino.

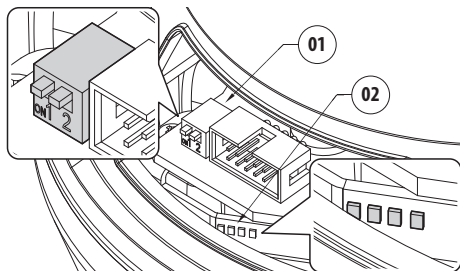


Fig. 63

9.2 VTTunnel



L'applicativo funziona solo con Java™. Se Java™ non è stato precedentemente installato scaricare l'ultima versione dal sito www.java.com.



L'applicativo può collegarsi solo alla prima interfaccia di rete attiva. Lasciare connesso solo il cavo di rete collegato al brandeggio.



L'esecuzione dell'applicativo richiede i privilegi di amministrazione del computer. Potrebbe apparire a monitor il messaggio **You have to execute javaw as administrator**. In questo caso sarà necessario modificare le proprietà di esecuzione del file `javaw.exe` situato nella cartella di installazione di Java.

Per potersi connettere all'interfaccia web della telecamera è necessario utilizzare l'applicativo VTTunnel, avviabile dalla voce di menu Strumenti.

All'avvio dell'applicativo verrà mostrato un elenco di dispositivi collegati in rete. Per collegarsi alla camera è necessario selezionare il brandeggio desiderato e premere il tasto Connect.

Una volta stabilita la connessione, la pagina web della telecamera IP sarà raggiungibile all'indirizzo 192.0.0.64.

Terminate le operazioni sulla telecamera, si potrà chiudere la connessione premendo il tasto Disconnect. È possibile collegarsi ad una sola telecamera alla volta, quindi è necessario disconnettersi dal brandeggio prima di poter operare su un'altra unità di posizionamento.

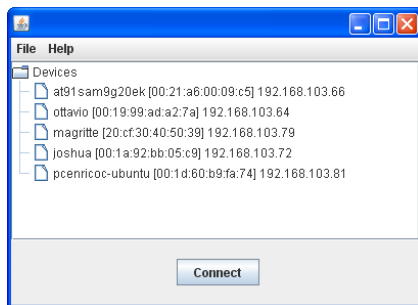


Fig. 64



Se durante la configurazione della telecamera vengono modificati i parametri di streaming video è necessario riavviare il brandeggio.

10 Accessori

i Per ulteriori dettagli sulla configurazione e l'utilizzo fare riferimento al manuale del relativo accessorio.

10.1 Impianto di lavaggio

Il brandeggio può essere dotato di una pompa esterna che fornisce acqua per la pulizia del vetro.

Quando si invia il comando il brandeggio si posiziona con la finestra di fronte all'ugello (9.1.2 Controlli Utente, pagina 27). Vengono attivati la pompa ed il tergicristallo per un tempo determinato. Alla fine della procedura il brandeggio ritorna nella posizione iniziale.

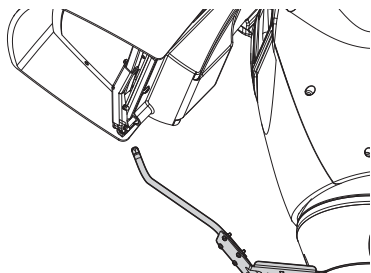


Fig. 65

10.1.1 Collegamento dell'impianto di lavaggio

! **ATTENZIONE!** L'installazione è di tipo TNV-1. Non collegare a circuiti SELV.

! **ATTENZIONE!** Per ridurre il rischio di incendio usare solamente cavi aventi sezioni maggiori o uguali a 0.13mm² (AWG 26).

! **Tutti i cavi di segnale devono essere raggruppati con una fascetta.**

COLLEGAMENTO DELL'IMPIANTO DI LAVAGGIO	
Morsetti	Descrizione
O1-C1	Contatto pulito per attivazione dell'impianto di lavaggio.

Tab. 5

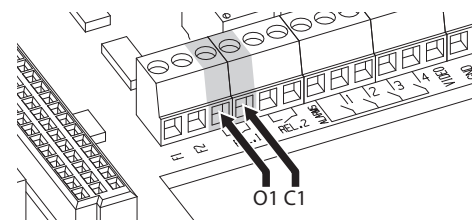


Fig. 66

10.2 Supporto da parete

Supporto per montaggio a parete con passaggio interno cavi.

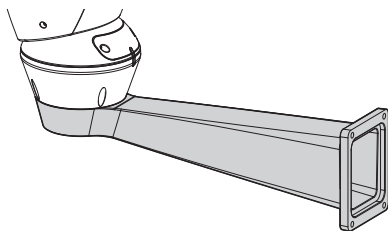


Fig. 67

10.3 Supporto da parapetto

Supporto per montaggio a parapetto con passaggio interno cavi.

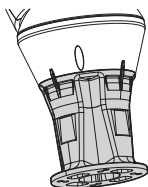


Fig. 68

10.4 Alimentatore con controllo degli illuminatori

Scatola stagna con alimentatore e controllo degli illuminatori.

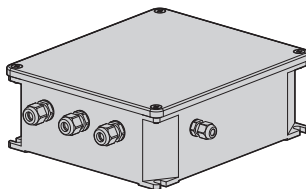


Fig. 69 Versione della scatola standard.

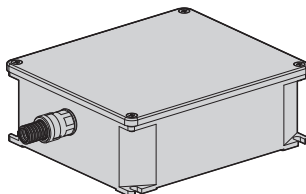


Fig. 70 Versione della scatola certificata UL.



Per ulteriori informazioni fare riferimento al relativo capitolo (7.4.3 Collegamento degli ingressi di allarme, dell'interruttore crepuscolare e dei relè, pagina 18).

11 Manutenzione



La manutenzione deve essere eseguita solo da personale qualificato ad intervenire su circuiti elettrici.

11.1 Sostituzione dei fusibili



Eseguire la manutenzione in assenza di alimentazione e con il dispositivo di sezionamento aperto.

In caso di necessità sostituire il fusibile illustrato in figura (7.3 Descrizione della scheda connettori, pagina 15).

SOSTITUZIONE DEI FUSIBILI		
Tensione	Fusibile F1	Fusibile F2
24Vac, 50/60Hz	F 6.3A L 250V 5x20	T 8A H 250V 5x20
120Vac, 50/60Hz	F 6.3A L 250V 5x20	T 4A H 250V 5x20
230Vac, 50/60Hz	F 6.3A L 250V 5x20	T 2A H 250V 5x20

Tab. 6

12 Pulizia

12.1 Pulizia del vetro e delle parti in plastica



Evitare alcool etilico, solventi, idrocarburi idrogenati, acidi forti e alcali. L'utilizzo di detti prodotti danneggia in modo irreparabile la superficie trattata.

Si consiglia di utilizzare un panno morbido con saponi neutri diluiti con acqua o prodotti specifici per la pulizia delle lenti degli occhiali.

13 Smaltimento dei rifiuti



Questo simbolo e il sistema di riciclaggio sono validi solo nei paesi dell'EU e non trovano applicazione in altri paesi del mondo.

Il vostro prodotto è costruito con materiali e componenti di alta qualità, che sono riutilizzabili o riciclabili.

Prodotti elettrici ed elettronici che riportano questo simbolo, alla fine dell'uso, devono essere smaltiti separatamente dai rifiuti casalinghi.

Vi preghiamo di smaltire questo apparecchio in un Centro di raccolta o in un'Ecostazione.

Nell'Unione Europea esistono sistemi di raccolta differenziata per prodotti elettrici ed elettronici.

14 Risoluzione dei problemi

Richiedere l'intervento di personale qualificato quando:

- L'unità si è danneggiata a seguito di una caduta;
- Le prestazioni dell'unità hanno avuto un evidente peggioramento;
- L'unità non funziona correttamente anche se sono state seguite tutte le indicazioni riportate nel presente manuale.

PROBLEMA	Il prodotto non si accende.
CAUSA	<i>Errato cablaggio, rottura dei fusibili.</i>
SOLUZIONE	Verificare la corretta esecuzione delle connessioni. Verificare la continuità dei fusibili e, in caso di guasto, sostituirli con i modelli indicati.

PROBLEMA	Durante l'accensione il brandeggio rimane bloccato.
CAUSA	<i>La temperatura ambiente è molto bassa.</i>
SOLUZIONE	Attendere il termine della procedura di preriscaldamento.

15 Dati tecnici

15.1 Generale

Costruzione in pressofusione di alluminio e ABS
Verniciatura a polveri di epossipoliestere, colore RAL9002

Top mount (OTT)

Trasmissione per mezzo di cinghia dentata

Slip-ring

Finecorsa elettronici

Installazione semplificata grazie al connettore e facilità di sostituzione in loco

Assenza di gioco meccanico

Sensori ottici per feedback su posizionamento assoluto

Tergicristallo integrato

Telecamera ed ottica preinstallate

15.2 Meccanica

Pressacavi: 3xM16

Rotazione orizzontale: continua

Zoom 18x:

- Rotazione verticale: da +90° a -40°
- Velocità orizzontale (variabile): da 0.02°/s fino a 100°/s (da 0.02°/s fino a 40°/s, con illuminatori a LED)
- Velocità verticale (variabile): da 0.02°/s fino a 50°/s (da 0.02°/s fino a 30°/s, con illuminatori a LED)

Zoom 33x:

- Rotazione verticale: da +45° fino a -20°
- Velocità orizzontale (variabile): da 0.02°/s fino a 20°/s
- Velocità verticale (variabile): da 0.02°/s fino a 20°/s

Dimensioni utili interne: Vedi disegni

Accuratezza del richiamo posizioni preset: 0.02°

Peso unitario: 17kg (18x), 30kg (33x)

15.3 Elettrico

Tensione di alimentazione/Corrente assorbita:

- 230Vac, 0.4A, 50/60Hz
- 24Vac, 4A (8A con illuminatori a LED), 50/60Hz
- 120Vac, 0.8A, 50/60Hz

Potenza assorbita:

- 100W
- 150-190W max con illuminatori a LED in 24Vac
- 28.5W (18x), 24W (33x), brandeggio fermo, riscaldamento spento

Alimentazione telecamere: 12Vdc (800mA)

4 ingressi di allarme autoalimentati

2 contatti puliti: 30Vdc max oppure 30Vac, @ 1A

15.4 Comunicazioni

Connessione Ethernet: IEEE 802.3 100Base-Tx

15.5 Protocolli

ONVIF, Profilo S

Per la configurazione del dispositivo: TCP/IPv4, UDP/IPv4, HTTP, NTP, DHCP, WS-DISCOVERY, QoS

Per lo streaming: RTSP, RTCP, RTP

15.6 Telecamere

Day/Night Full HD, 60fps, sensore CMOS 1/1.9"

Pixels Effettivi: 2.38 Megapixel

Illuminazione Minima zoom 18x, colore (ICR-OFF):

- 0.08lx, 50 IRE F2.5, 1/30s

Illuminazione Minima zoom 18x, B/W (ICR-ON):

- 0.06lx, 50 IRE F2.5, 1/30s

Illuminazione Minima zoom 33x, colore (ICR-OFF):

- 0.1lx, 50 IRE F3.0, 1/30s

Illuminazione Minima zoom 33x, B/W (ICR-ON):

- 0.07lx, 50 IRE F3.0, 1/30s

Zoom 18x:

- Campo visivo orizzontale: 40.6° (wide end) a 2.4° (tele end)
- Campo visivo verticale: 30.8° (wide end) a 1.8° (tele end)

Zoom 33x:

- Campo visivo orizzontale: 23.42° (wide end) a 0.74° (tele end)
- Campo visivo verticale: 17.74° (wide end) a 0.55° (tele end)

S/N Ratio: più di 50 dB

WDR (wide dynamic range): 90dB

Velocità dell'otturatore: 1/1 a 1/10,000 s

Controllo Esposizione: Compensazione Esposizione, AGC, Velocità dell'otturatore, Iris

Bilanciamento del bianco: ATW, ATW PRO, Lampada fluorescente, Lampada al Mercurio, Lampade ai vapori di sodio, Lampade ad alogenuri metallici, LED bianco, Open Push WB, Manuale

Wide-D: View-DR

Correzione Toni: Miglioramento immagine

Riduzione disturbo: XDNR

15.7 Ottiche

Zoom 18x, 8.5-154mm, F2.5

Zoom 33x, 15-500mm, F2.5 (Sistema di compensazione termica e filtro anti riverbero -Visibile Cut Filter- opzionali)

15.8 Ambiente

Interno/Esterno

Temperatura di esercizio: -40°C/+60°C

Temperatura d'accensione per versione 33x:-30°C/+60°C

Immunità agli impulsi: fino a 2kV tra linea e linea, fino a 4kV tra linea e terra (Classe 4)

15.9 Certificazioni

Sicurezza elettrica (CE): EN60950-1, IEC60950-1

Compatibilità elettromagnetica (CE): EN50130-4, EN61000-6-4, EN55022 (Classe A), FCC Part 15 (Classe A)

Installazione all'esterno (CE): EN60950-22, IEC60950-22

Sicurezza fotobiologica (CE): EN62471 illuminatori a LED)

Grado di protezione IP: EN60529, IP66

Resistenza alla nebbia salina: EN50130-5, EN60068-2-52

Certificazione UL: cULus Listed (TYPE 4X)

Certificazione EAC

16 Disegni tecnici

i Le dimensioni dei disegni sono espresse in millimetri.

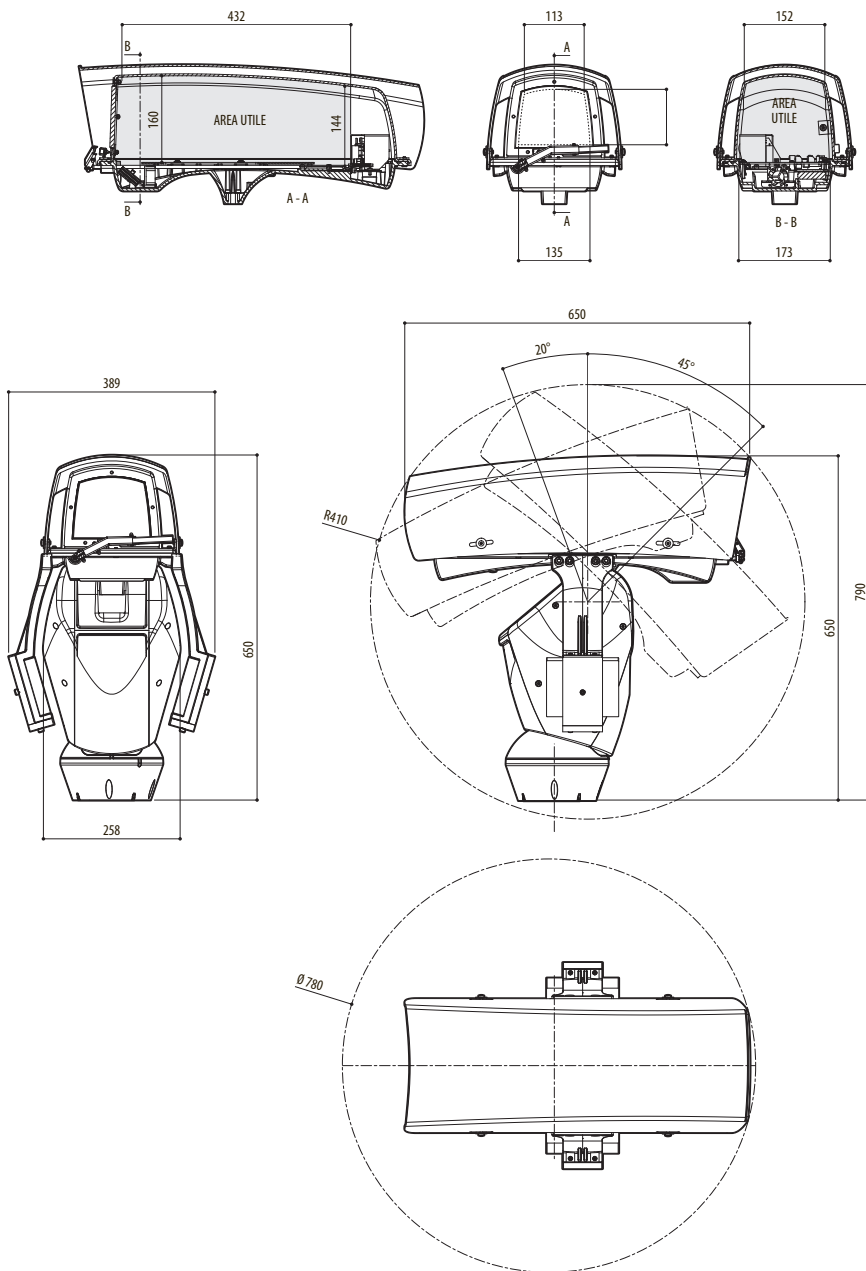


Fig. 71 ULISSE RADICAL, Zoom 33x.

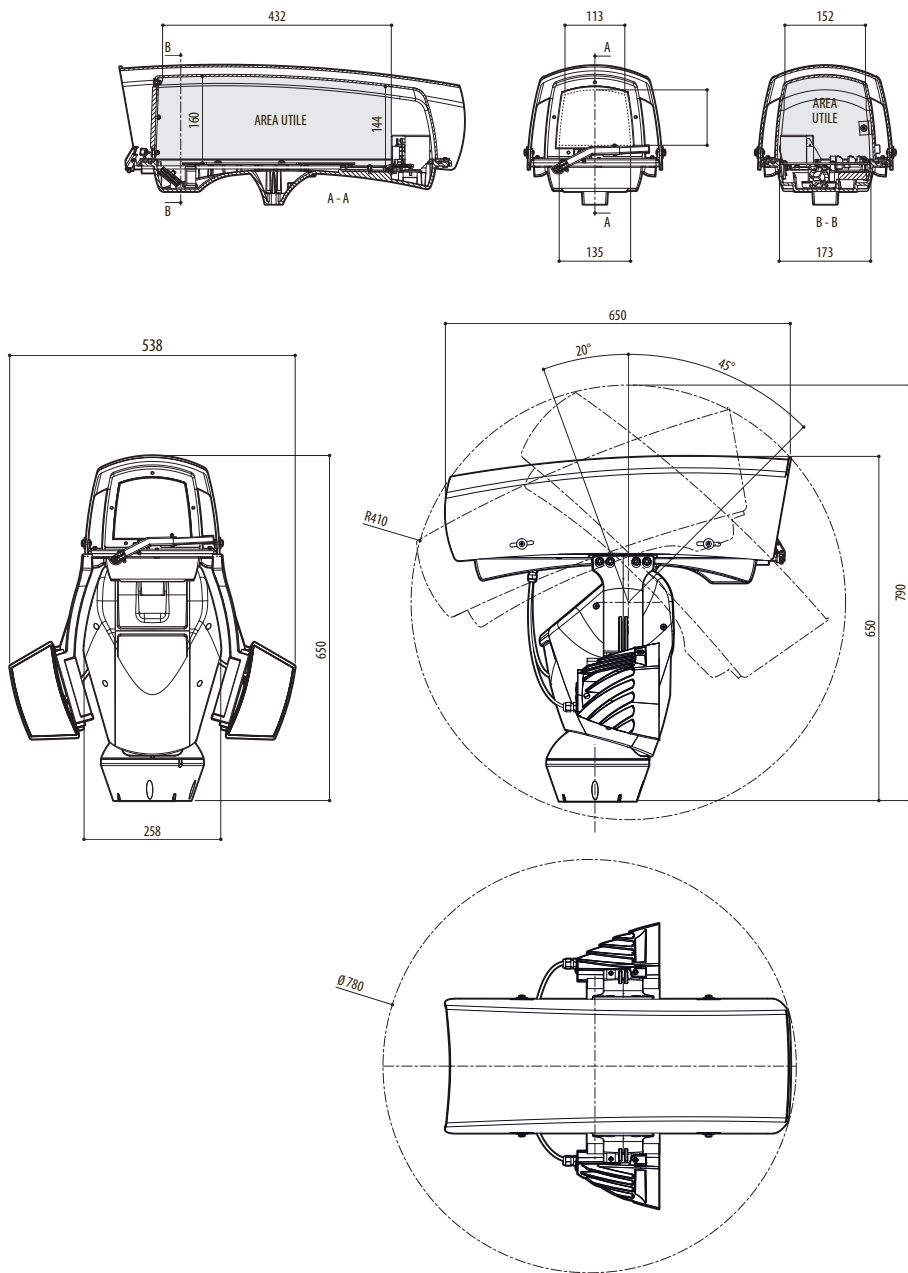


Fig. 72 ULISSE RADICAL, Zoom 33x, versione con predisposizione per il montaggio di due illuminatori a LED.

Headquarters Italy Videotec S.p.A.

Via Friuli, 6 - I-36015 Schio (VI) - Italy

Tel. +39 0445 697411 - Fax +39 0445 697414

Email: info@videotec.com

Asia Pacific Videotec (HK) Ltd

Flat 8, 19/F. On Dak Industrial Building, No. 2-6 Wah Sing Street

Kwai Chung, New Territories - Hong Kong

Tel. +852 2333 0601 - Fax +852 2311 0026

Email: info.hk@videotec.com

France Videotec France SARL

Immeuble Le Montreal, 19bis Avenue du Québec, ZA de Courtaboeuf
91140 Villebon sur Yvette - France

Tel. +33 1 60491816 - Fax +33 1 69284736

Email: info.fr@videotec.com

Americas Videotec Security, Inc.

Gateway Industrial Park, 35 Gateway Drive, Suite 100

Plattsburgh, NY 12901 - U.S.A.

Tel. +1 518 825 0020 - Fax +1 518 825 0022

Email: info.usa@videotec.com - www.videotec.us



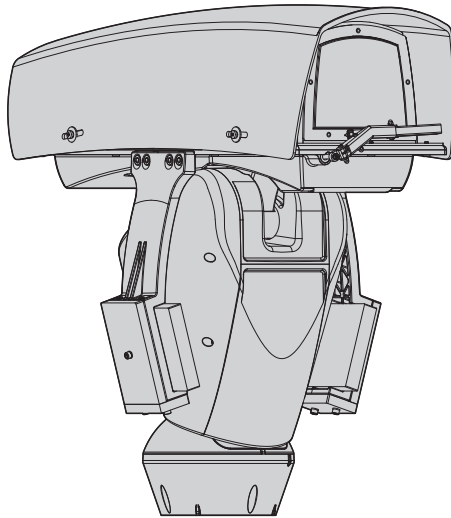
www.videotec.com

MNVCUPKHXL_1514_IT



ULISSE RADICAL

Unité PTZ avec caméra et objectif intégrés



Sommaire

1 À propos de ce mode d'emploi	7
1.1 Conventions typographiques	7
2 Notes sur le copyright et informations sur les marques de commerce	7
3 Normes de sécurité.....	7
4 Identification.....	10
4.1 Description et désignation du produit	10
4.2 Marquage du produit.....	10
4.2.1 Contrôle du marquage	10
5 Versions	11
5.1 Projecteurs à LED	11
6 Préparation du produit en vue de l'utilisation.....	11
6.1 Précautions de sécurité avant l'utilisation	11
6.2 Déballage.....	12
6.2.1 Retrait de l'emballage de protection.....	12
6.2.1.1 Ouverture du caisson	12
6.2.1.2 Extraction de l'emballage de protection.....	12
6.3 Contenu.....	13
6.4 Élimination sans danger des matériaux d'emballage.....	13
6.5 Opérations à effectuer avant l'installation.....	13
6.5.1 Fixation du support	13
6.5.2 Passage des câbles.....	13
7 Installation	14
7.1 Connexion des câbles à la base	14
7.2 Fixage de la base au support.....	15
7.3 Description de la carte de connexion	15
7.4 Connexion de la ligne d'alimentation.....	16
7.4.1 Connexion de la ligne d'alimentation en 24Vac.....	17
7.4.2 Raccordement de la ligne d'alimentation en 120Vac et 230Vac	17
7.4.3 Branchement des entrées d'alarme, de l'interrupteur crépusculaire et des relais.....	18
7.5 Branchement du câble de réseau Ethernet.....	18
7.6 Fixation du corps supérieur	19
7.7 Montage du contrepoids	19
7.8 Montage des projecteurs à LED	20
7.8.1 Retrait des contrepoids	20
7.8.2 Montage du projecteur sur l'étrier	20
7.9 Branchement des projecteur à LED.....	21
7.10 Réglage des projecteurs à LED et modalité de synchronisation avec la caméra	21
7.10.1 Description du projecteur à LED	21
7.10.2 Synchronisation avec un interrupteur crépusculaire externe	22
7.10.3 Synchroniser l'unité avec les projecteurs LED	22
7.10.4 Activation manuelle des projecteurs à LED.....	22
7.10.5 Réglage du seuil d'allumage des projecteurs à LED.....	23

7.10.6 Réglage de la puissance des projecteurs à LED	23
7.11 Fixation du balai essuie-glace.....	24
8 Allumage	25
9 Configuration	26
9.1 Interface web	26
9.1.1 Home.....	26
9.1.2 Contrôles Utilisateur	27
9.1.3 Paramètres Dispositif	28
9.1.4 Statistiques Dispositif.....	28
9.1.5 Configuration Réseau.....	28
9.1.6 Configuration Utilisateurs	29
9.1.7 Paramètres Mouvement.....	29
9.1.7.1 Autopan	30
9.1.7.2 Patrol	30
9.1.7.3 Rappel Mouvements	30
9.1.8 Paramètres Preset.....	30
9.1.9 Paramètres Preset (Avancé)	30
9.1.10 I/O Digitaux	31
9.1.11 Washer.....	31
9.1.12 Paramètres Caméra	32
9.1.13 Instruments	32
9.1.14 Factory Default.....	33
9.2 VTTunnel.....	33
10 Accessoires	34
10.1 Système de lavage	34
10.1.1 Branchement du système de lavage.....	34
10.2 Support fixation murale.....	35
10.3 Support fixation sol.....	35
10.4 Alimentateur avec contrôle des projecteurs.....	35
11 Entretien.....	36
11.1 Remplacement des fusibles.....	36
12 Nettoyage.....	36
12.1 Entretien de la vitre et des parties en plastique.....	36
13 Élimination des déchets.....	36
14 Dépannage.....	36
15 Données techniques.....	37
15.1 Généralités.....	37
15.2 Mécanique	37
15.3 Électrique	37
15.4 Communications	37
15.5 Protocoles	37
15.6 Caméra	38
15.7 Optiques	38
15.8 Environnement	38
15.9 Certifications.....	38

1 À propos de ce mode d'emploi

Avant d'installer et d'utiliser cet appareil, veuillez lire attentivement ce mode d'emploi. Conservez-le à portée de main pour pouvoir vous y reporter en cas de besoin.

1.1 Conventions typographiques



DANGER!
Risque élevé.
Risque de choc électrique. Sauf indication contraire, sectionner l'alimentation avant de procéder à toute opération.



DANGER!
Surface à température élevée.
Évitez le contact. La température des surfaces est élevée et leur contact peut provoquer des blessures corporelles.



DANGER!
Danger mécanique.
Risque d'écrasement ou de cisaillement.



ATTENTION!
Risque moyen.
Opération extrêmement importante en vue d'un fonctionnement correct du système; lire avec attention les opérations indiquées et s'y conformer rigoureusement.



REMARQUE
Description des caractéristiques du système.
Il est conseillé de procéder à une lecture attentive pour une meilleure compréhension des phases suivantes.

2 Notes sur le copyright et informations sur les marques de commerce

Les noms de produit ou de sociétés cités sont des marques de commerce ou des marques de commerce enregistrées.

3 Normes de sécurité



ATTENTION! Le circuit électrique auquel l'unité est reliée doit être équipé d'un interrupteur de protection bipolaire automatique de 20A max. Cet interrupteur doit être de type Listed. La distance minimale entre les contacts doit être de 3mm. L'interrupteur doit être équipé de protection contre le courant de défaut vers la terre (différentiel) et le surintensité (magnétothermique).



ATTENTION! L'installation et l'entretien du dispositif doivent être exclusivement effectués par un personnel technique qualifié.



ATTENTION! Pour assurer la protection contre le risque d'incendie, remplacer les fusibles avec le même type et valeur. Les fusibles doivent être remplacés seulement par un personnel qualifié.



ATTENTION! L'installation est du type TNV-1. Ne pas la connecter à des circuits SELV.



ATTENTION! Pour réduire les risques d'incendie, utiliser uniquement des câbles certifiés UL Listed ou CSA de dimensions égales ou supérieures à 0.13mm² (26 AWG).

- Le fabricant décline toute responsabilité pour les dommages éventuels dus à une utilisation non appropriée des appareils mentionnés dans ce manuel. On réserve en outre le droit d'en modifier le contenu sans préavis. La documentation contenue dans ce manuel a été rassemblée et vérifiée avec le plus grand soin. Le fabricant, cependant, ne peut assumer aucune responsabilité dérivant de l'emploi de celle là. La même chose vaut pour chaque personne ou société impliquées dans la création et la production de ce manuel.

- Sectionner l'alimentation avant de procéder à toute opération.
- Ne pas utiliser de câbles usés ou endommagés.
- Ne procéder sous aucun prétexte à des modifications ou des connexions non prévues dans ce manuel. L'utilisation d'appareils non adéquats peut comporter des dangers graves pour la sécurité du personnel et de l'installation.
- Utiliser uniquement des pièces de rechange d'origine. Les pièces non d'origine peuvent être source d'incendies, de choc électrique ou autres.
- Avant de procéder à l'installation, contrôler que le matériel fourni correspond à la commande et examiner les étiquettes de marquage (4.2 Marquage du produit, page 10).
- Cette appareil est conçu pour une installation permanente sur un bâtiment ou une structure adéquate. L'appareil doit être installé d'une façon permanente avant d'effectuer toute opération.
- La catégorie d'installation (ou catégorie de surtension) spécifie les niveaux de la tension de secteur correspondant à l'appareil. La catégorie dépend du lieu d'installation et du dispositif de protection contre les surtensions installé. En cas d'environnement industriel directement connecté aux circuits de dérivation du système d'alimentation, l'équipement est classé dans la catégorie d'installation III. Dans ce cas, un déclassement à la catégorie II est nécessaire et peut être obtenu au moyen d'un transformateur d'isolement avec blindage électrostatique entre le primaire et le secondaire ou en utilisant des dispositifs de protection contre les surtensions (SPD) entre la phase et le neutre et entre le neutre et la terre. Les dispositifs SPD UL cités doivent être prévus pour limiter les surtensions transitoires en mode répétitif et pour les conditions nominales de fonctionnement suivantes : Type 2 (dispositifs SPD reliés en permanence au côté charge du côté du dispositif de protection contre les surintensités) ; courant nominal de décharge (In) 20kA min. Exemples d'utilisation possible : FERRAZ SHAWMUT, ST23401PG-CN, ST240SPG-CN spécifiés pour 120Vac/240Vca, (In=20kA). La distance maximale entre installation et réduction est de 5m.
- Un dispositif de déconnexion, rapide et facile d'accès, doit être incorporé dans le circuit électrique du bâtiment pour une intervention rapide.
- La borne de terre disponible dans le produit doit être connecté en permanence à la terre.
- Parties mobiles dangereux. Ne pas approcher les doigts ou d'autres parties du corps.
- Raccorder le système à une source d'alimentation conforme à celle figurant sur l'étiquette de marquage du produit. Avant de procéder à l'installation, vérifier que la ligne électrique est sectionnée. La tension d'alimentation doit être comprise dans les limites ($\pm 10\%$).
- Alimenter le dispositif avec une source isolée de type SELV, 24Vac, 8A dérivée d'un transformateur à double isolation UL Listed, opportunément protégé à la sortie.
- Les parties mobiles du système représentant un risque potentiel d'accident, le système doit être installé de façon à en empêcher l'accès aux personnes non autorisées.
- Appliquer l'étiquette Parties mobiles dangereuses près de l'unité. (Fig. 3, page 11).
- Ne pas utiliser l'appareil en présence de substances inflammables.
- Pour raccorder la ligne d'alimentation utiliser le boîtier de connexion spécifique (UPTJBUL). Pour plus d'informations, se référer au manuel d'utilisation et d'installation du produit.

- Ne pas laisser l'appareil à portée des enfants ou de personnes non autorisées.
- L'appareil ne doit être considéré comme désactivé qu'avec l'alimentation sectionnée et les câbles de connexion aux autres dispositifs débranchés.
- L'entretien du dispositif doit uniquement être effectué par un personnel qualifié. Durant les opérations d'entretien, l'opérateur est exposé au risque d'électrocution ou autres.
- Utiliser uniquement les accessoires indiqués par le fabricant. Toute modification non approuvée expressément par le fabricant entraînera l'annulation de la garantie.
- Avant de brancher tous les câbles de signalisation, vérifier que l'unité est correctement branché à la terre.
- En cas de transfert du dispositif de l'installation, toujours débrancher le câble de terre en dernier.
- Adopter les précautions utiles pour éviter d'endommager l'appareil à la suite de décharges électrostatiques.
- L'unité a été réalisée pour un branchement avec câble tri-polaire. Se conformer aux indications fournies dans ce manuel pour un branchement correct du circuit de terre.
- Manipuler avec soin l'unité, toute sollicitation mécanique importante risque de l'endommager.
- Accorder une attention particulière aux distances d'isolement entre la ligne d'alimentation et tous les autres câbles, dispositifs de protection contre la foudre compris.
- En cas de transport du dispositif, faire preuve d'une attention extrême. Tout arrêt brusque, dénivellations et chocs violents risque de l'endommager et d'entraîner des blessures.

4 Identification

4.1 Description et désignation du produit

ULISSE RADICAL est le premier système PTZ réseau Full HD de Videotec prêt à l'emploi qui intègre des combinaisons exceptionnelles de caméra et objectif, Full HD 1080p, 60fps et capteur de 1/2".

Pour satisfaire les besoins spécifiques de vidéosurveillance, cette unité PTZ peut être équipée d'un caisson avec des optiques de 18x ou 33 x.

ULISSE RADICAL est certifié ONVIF Profil S, il est donc compatible avec la plupart des VMS sur le marché : pour un contrôle complet, l'unité implémente les commandes auxiliaires pour essuie-glace, pompe, projecteur et chauffage.

Si le VMS ne supporte pas ces fonctions, ULISSE RADICAL est équipé du PTZ Assistant, une application qui enrichit le bureau et permet l'utilisation des fonctions de la tourelle sans limitations.

L'exceptionnelle fluidité de mouvement est assurée par de puissants moteurs, même à une vitesse minimale de 0.02°/s.

Les prestations restent optimales même dans l'obscurité la plus totale grâce aux puissants projecteurs à LED qui peuvent atteindre des distances jusqu'à 200m.

ULISSE RADICAL est garanti sans restrictions pendant 3 ans par le fabricant, caméra et moteurs compris.

ULISSE RADICAL avec un zoom 33x offre un système de compensation thermique et d'un filtre anti-éblouissement (Visible Cut Filter).

Pour ses caractéristiques de précision, de fiabilité et de robustesse, cette caméra PTZ est la solution idéale pour le contrôle vidéo de vastes zones externes, pour par exemple : la surveillance des frontières, la surveillance portuaire, les surveillances des périmètres de longue distance, le contrôle de la circulation et des autoroutes, des installations militaires ...

4.2 Marquage du produit

i Les tourelles portent un étiquette conforme au marquage CE.

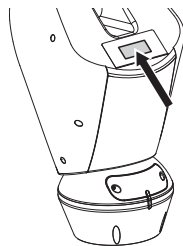


Fig. 1

L'étiquette indique:

- Code d'identification du modèle (Code barres Extended 3/9).
- Tension d'alimentation (Volt).
- Fréquence (Hertz).
- Courant absorbé (Ampères).
- Étanchéité (IP).
- Numéro de série.

4.2.1 Contrôle du marquage

Avant de procéder à l'installation, contrôler que le matériel fourni correspond à la commande et examiner les étiquettes de marquage.

Ne procéder sous aucun prétexte à des modifications ou des connexions non prévues dans ce manuel. L'utilisation d'appareils non adéquats peut comporter des dangers graves pour la sécurité du personnel et de l'installation.

5 Versions

5.1 Projecteurs à LED

 La version avec projecteurs à LED peut être alimentée uniquement en 24Vac.

La tourelle peut être munie d'un support pour l'utilisation de 2 projecteurs à LED VIDEOTEC pour vision nocturne (projecteurs à prévoir en plus).

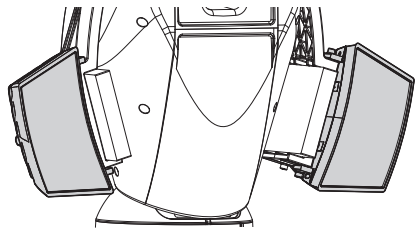



Fig. 2


 Pour d'autres renseignements se référer à le chapitre relatif (7.8 Montage des projecteurs à LED, page 20).

6 Préparation du produit en vue de l'utilisation

 Toute modification non approuvée expressément par le fabricant entraînera l'annulation de la garantie.

 L'unité ne doit être ni démontée ni altérée. Les seules exceptions concernent les opérations de montage et d'entretien prévues dans ce manuel.

6.1 Précautions de sécurité avant l'utilisation

 L'appareil comprend des parties mobiles. S'assurer que l'unité est positionnée dans une zone non accessible pendant le fonctionnement. Appliquer l'étiquette fournie avec l'appareil près de l'objet et en position visible.



ATTENZIONE
PARTI MOBILI PERICOLOSE - NON AVVICINARE DITA E ALTRE PARTI DEL CORPO

WARNING
HAZARDOUS MOVING PARTS -KEEP FINGERS AND OTHER BODY PARTS AWAY

ATTENTION
PARTIES MOBILES DANGEREUS - NE PAS APPROCHER LES DOIGTS OU D'AUTRES PARTIES DU CORPS

ACHTUNG
GEFÄHRLICHE LOSTEILE - FINGER UND ANDERE KÖRPERTEILE FERNHALTEN

Fig. 3

6.2 Déballage

Lors de la livraison du produit, vérifier que l'emballage est en bon état et l'absence de tout signe évident de chute ou d'abrasion.

En cas de dommages évidents, contacter immédiatement le fournisseur.

Conserver l'emballage en cas de nécessité d'expédition du produit pour réparation.

i **Déballer le toit pare-soleil du dispositif en ayant soin de ne pas endommager le caisson.**

6.2.1 Retrait de l'emballage de protection

Avant d'installer le dispositif, il faut enlever l'emballage de protection.

6.2.1.1 Ouverture du caisson

Dévisser les vis anti-fuite situées sur les côtés et soulever la partie supérieure du caisson.

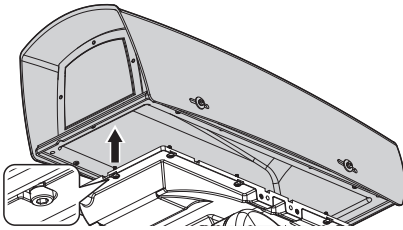


Fig. 4

i **D'abord serrer les vis centrales comme illustré en figure.**

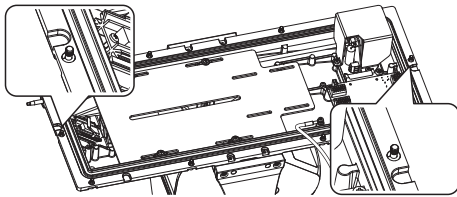


Fig. 5

i **Au terme des opérations d'installation et de câblage, refermer le produit.**

6.2.1.2 Extraction de l'emballage de protection

Après avoir ouvert le caisson, extraire l'emballage de protection.

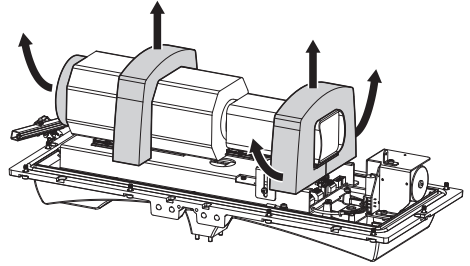


Fig. 6

6.3 Contenu

Contrôler que le contenu correspond à la liste matériel indiquée ci-dessous:

- Unité de positionnement
- Base d'alimentation
- Emballage des accessoires:
 - Adaptateur sériel
 - Rallonge sérielle
 - Clés Allen
 - Entretoises
 - Étiquette
 - Colliers
 - Ferrite
 - Gaine en silicone
 - Joints de réduction pour presse-étoupes
 - Manuel d'instructions
 - Plaque de fixation pour sachet déshydratant
 - Vis
- Emballage des contrepoids:
 - Contrepoids
 - Supports pour contrepoids
- Double toit

6.4 Élimination sans danger des matériaux d'emballage

Le matériel d'emballage est entièrement composé de matériaux recyclables. Le technicien chargé de l'installation est tenu de l'éliminer conformément aux dispositions en matière de collecte sélective et selon les normes en vigueur dans le pays d'utilisation.

En cas de retour du produit défectueux, il est conseillé d'utiliser l'emballage original pour le transport.

6.5 Opérations à effectuer avant l'installation

6.5.1 Fixation du support

⚠ En cas d'installations soumises aux vibrations, utiliser seulement le support fixation sol.

Plusieurs types de supports sont disponibles (10 Accessoires, page 34). Choisir le support convenable à l'installation et suivre toutes les instructions dans le chapitre suggéré.

⚠ Accorder une attention particulière aux systèmes de fixation de l'appareil. Le système de fixation doit être tout de même être en mesure de supporter au moins 4 fois le poids de tout l'appareil, y compris la tourelle, les objectifs et les caméras.

⚠ L'appareil doit être monté en position verticale. Tout autre position compromettrait le bon fonctionnement du système.

⚠ Il est impératif de ne pas monter la tête en bas.

6.5.2 Passage des câbles

⚠ Les câbles de connexion ne doivent pas être accessibles de l'extérieur. Les câbles doivent être fixés au support pour éviter que le poids excessif n'entraîne leur sortie accidentelle.

⚠ Les câbles utilisés doivent être conformes au type d'installation.

Passer les câbles à l'intérieur du support jusqu'à ce qu'ils dépassent d'environ 50cm.

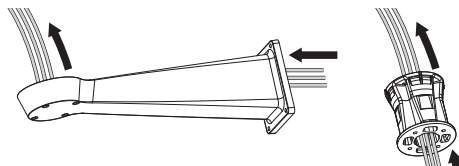


Fig. 7

7 Installation

! Ne procéder sous aucun prétexte à des modifications ou des connexions non prévues dans ce manuel. L'utilisation d'appareils inadéquats peut comporter des risques sérieux pour les appareils et la sécurité du personnel.

! Ne pas modifier les câblages du produit. La non observation de cette indication peut entraîner des risques graves pour la sécurité du personnel de l'installation et annuler la garantie.

i En cas d'utilisation du kit de lavage du verre, le support pour la buse doit être installé avant le positionnement de la tourelle et des câblages. Pour plus d'informations, se référer au manuel du kit correspondant.

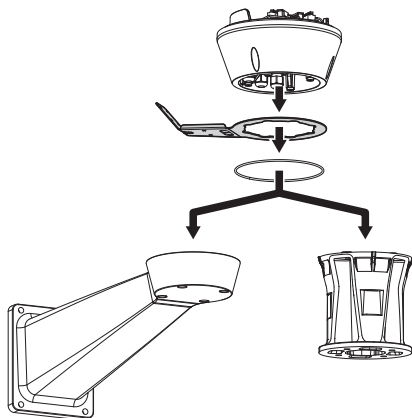


Fig. 8

i La calotte inférieure contient un sachet déshydratant qui permet d'éviter la formation d'humidité dans la base et à hauteur des cartes des connecteurs. Enlever le sachet avant l'installation.

7.1 Connexion des câbles à la base

Passer les câbles dans les presse-câbles en maintenant la base à environ 20cm du support. Serrer les presse-étoupes. Les presse-étoupes sont adaptés pour câbles avec un diamètre compris entre 5mm et 10mm.

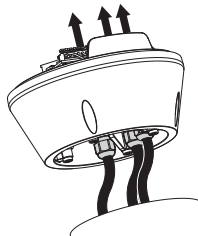


Fig. 9

! Faire attention pendant la fixation. Couple de serrage: 5Nm.

i Pour de câbles de diamètre de 3mm à 7mm utiliser les joints en dotation.

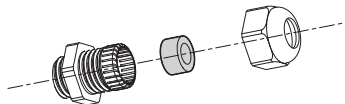


Fig. 10

7.2 Fixage de la base au support



Utiliser les vis et les rondelles fournies avec la base.

Après avoir positionné le joint (01), fixer la base (02) au support (03) en utilisant les vis (04), les rondelles à dents (05) et les bagues pour vis (06).

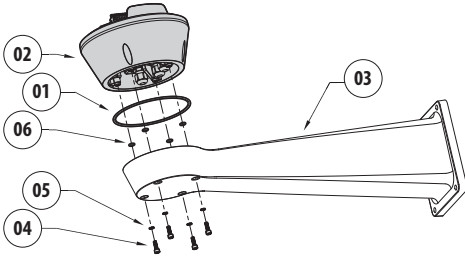


Fig. 11

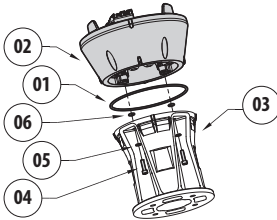


Fig. 12

Aligner les 3 encoches de la base avec celles des supports comme sur la figure suivante.

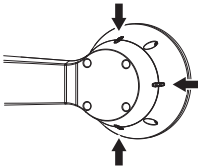


Fig. 13



Appliquer sur les trous des vis un produit de freinage du filet (Loctite 243®).



Faire attention pendant la fixation. Couple de serrage: 6Nm.

7.3 Description de la carte de connexion

DESCRIPTION DE LA CARTE DE CONNEXION

Connecteur/Composant	Fonction
CN1	Alimentation de la carte
CN4	Câbles de signal
Ethernet	Ethernet
F1	Fusible
F2	Fusible

Tab. 1

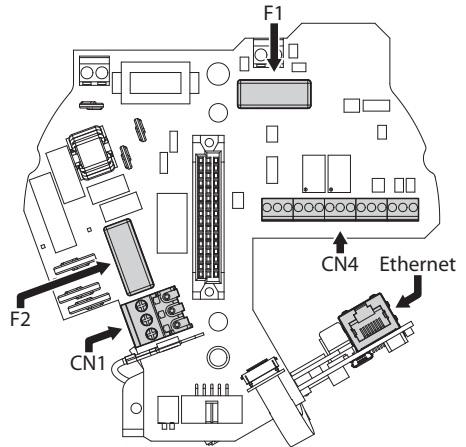


Fig. 14

7.4 Connexion de la ligne d'alimentation

Selon la version, différentes tensions d'alimentation peuvent être fournies au dispositif. Leur valeur est indiquée sur l'étiquette d'identification du produit (4.2 Marquage du produit, page 10).



Il faut effectuer les connexions électriques en absence d'alimentation et lorsque le dispositif de sectionnement ouvert.



Contrôler que les sources d'alimentation et les câbles de branchement sont en mesure de supporter la consommation du système.



Procéder exclusivement aux connexions de la base avec l'alimentation sectionnée et le dispositif de sectionnement ouvert.



Le câble de terre doit être plus long des deux autres d'environ 10mm pour éviter tout détachement accidentel.



Le câble d'alimentation doit en outre être couvert de la gaine en silicone (01) fournie. La gaine en silicone doit être fixée au moyen du collier prévu (02).

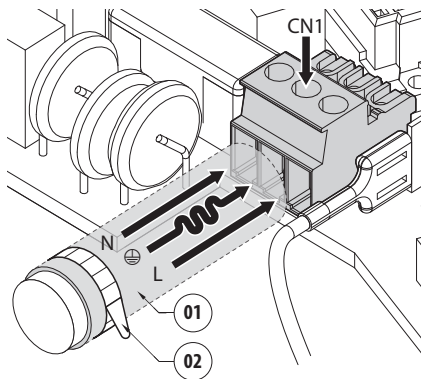


Fig. 15

7.4.1 Connexion de la ligne d'alimentation en 24Vac

Couper les câbles à la longueur nécessaire et procéder aux connexions. Connecter la ligne d'alimentation avec la borne: CN1.

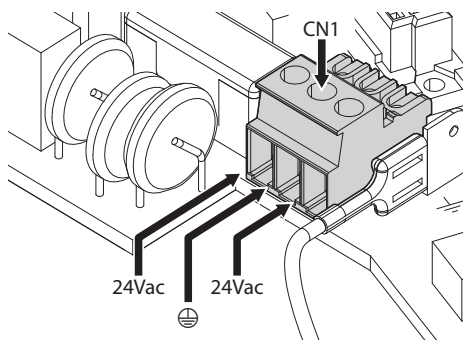


Fig. 16

Connecter les câbles d'alimentation comme décrit dans le tableau ci-dessous.

CONNEXION DE LA LIGNE D'ALIMENTATION	
Couleur	Bornes
Alimentation 24Vac	
Défini par l'installateur	24Vac
Défini par l'installateur	24Vac
Jaune/Vert	GND/⊕

Tab. 2

7.4.2 Raccordement de la ligne d'alimentation en 120Vac et 230Vac

Couper les câbles à la longueur nécessaire et procéder aux connexions. Connecter la ligne d'alimentation avec la borne: CN1.

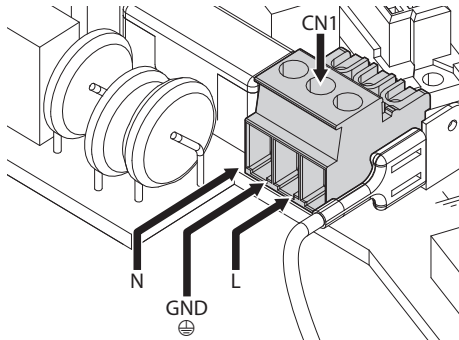


Fig. 17

Connecter les câbles d'alimentation comme décrit dans le tableau ci-dessous.

CONNEXION DE LA LIGNE D'ALIMENTATION	
Couleur	Bornes
Alimentation 230Vac	
Bleue	N (Neutre)
Marron	L (Phase)
Jaune/Vert	GND/⊕
Alimentation 120Vac	
Bleue	N (Neutre)
Marron	L (Phase)
Jaune/Vert	GND/⊕

Tab. 3

7.4.3 Branchement des entrées d'alarme, de l'interrupteur crépusculaire et des relais



ATTENTION! L'installation est du type TNV-1. Ne pas la connecter à des circuits SELV.



ATTENTION! Pour réduire les risques d'incendie, utiliser uniquement des câbles de sections égales ou supérieures à 0.13mm² (AWG 26).

Version standard

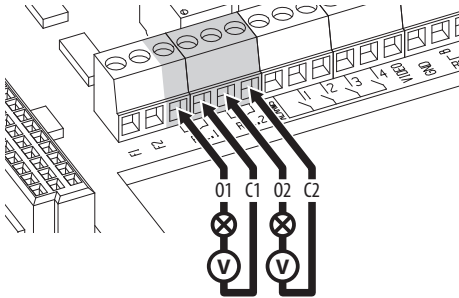


Fig. 18 Branchement des contacts des relais.

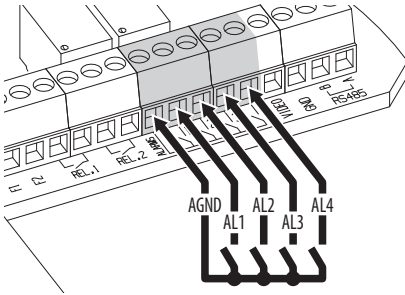


Fig. 19 Branchement des alarmes.

Version avec projecteurs à LED

BRANCHEMENT DES ENTRÉES D'ALARME, DE L'INTERRUPTEUR CRÉPUSCULAIRE ET DES RELAIS

AL1, AL2, AL3, AL4 e AGND	Entrées d'alarme auto-alimentées relatives à la borne commune AGND.
O1-C1 e O2-C2	Contacts secs de sortie activantes par alarme ou commande utilisateur

Tab. 4

7.5 Branchement du câble de réseau Ethernet

Connecter le câble Ethernet avec le connecteur (7.3 Description de la carte de connexion, page 15).

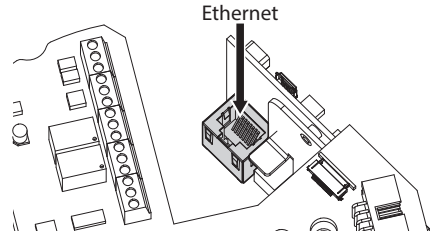


Fig. 20

7.6 Fixation du corps supérieur

Fixer le corps supérieur (01) à la base (02) au moyen des vis de fixation (03) pourvues de joints (04). Contrôler que le joint de la base est en place et en bon état (05).

⚠ Faire attention pendant la fixation. Couple de serrage: 4Nm.

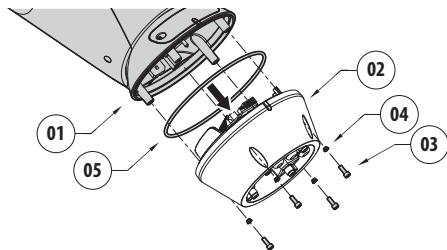


Fig. 21

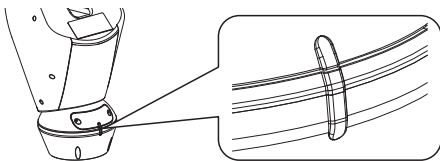


Fig. 22

i Une seule position de fixation entre la base et le corps supérieur est possible. Aligner les saillies latérales pour s'assurer que le positionnement soit correct.

7.7 Montage du contrepois

Fixer les contrepois au caisson au moyen des vis et des rondelles fournies.

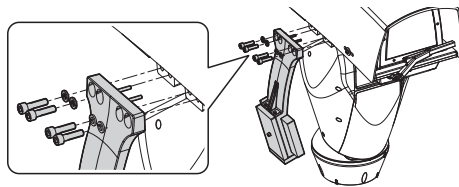


Fig. 23

⚠ Appliquer sur les trous des vis un produit de freinage du filet (Loctite 243®).

⚠ Faire attention pendant la fixation. Couple de serrage: 16Nm.

7.8 Montage des projecteurs à LED

! Pour en correct fonctionnement les deux projecteurs doivent toujours être montés ensemble.

i Seuls des projecteurs VIDEOTEC peuvent être installés sur la tourelle.

7.8.1 Retrait des contrepoids

Dévisser les vis et retirer les contrepoids externes.

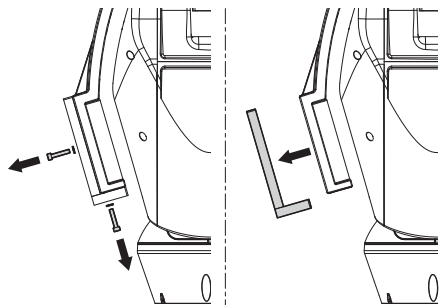


Fig. 24

7.8.2 Montage du projecteur sur l'étrier

Repérer les trous antérieurs présents sur l'étrier du contrepoids.

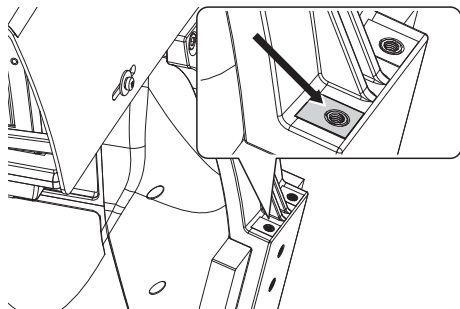


Fig. 25

Positionner les fixations du projecteur (01) sur celles de l'étrier (02).

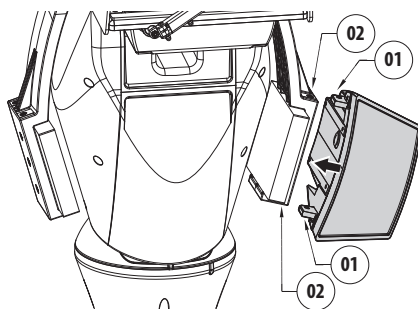


Fig. 26

Visser les vis avec les rondelles enlevées auparavant.

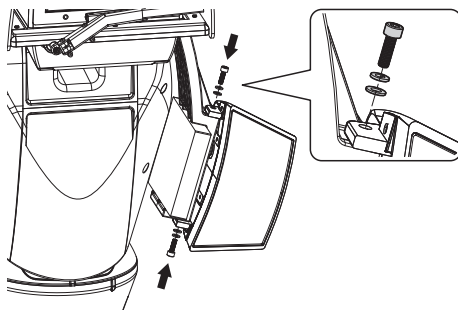
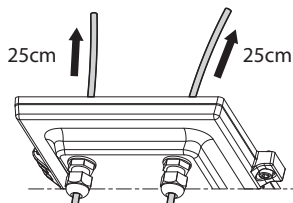


Fig. 27

! Faire attention pendant la fixation. Couple de serrage: 6Nm.

7.9 Branchement des projecteur à LED

Introduire les câbles d'alimentation de 25 cm au moins à travers les presse-étoupes.



⚠ Pour garantir la sécurité et le fonctionnement de l'unité, ne pas laisser du câble excédentaire à l'extérieur.

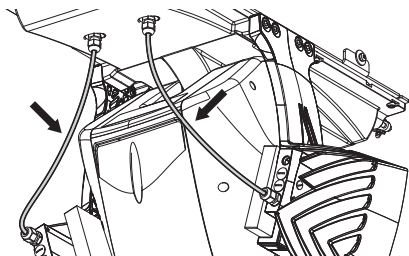


Fig. 28

Brancher les câbles comme illustré en figure.

Le projecteur de gauche (MASTER) doit être connecté au connecteur J 15. Le projecteur de droite (SLAVE) doit être connecté au connecteur J9.

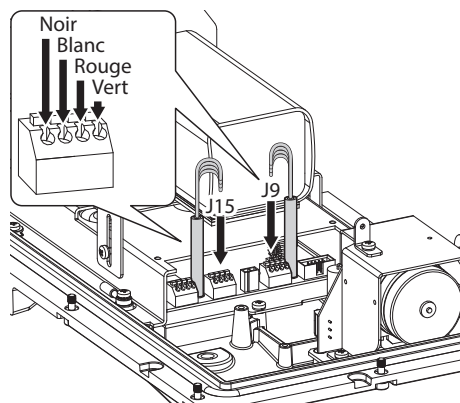


Fig. 29

7.10 Reglage des projecteurs à LED et modalité de synchronisation avec la caméra

⚠ Une fois effectué le réglage, le projecteur de gauche (MASTER) synchronise et contrôle le projecteur de droite (SLAVE).

L'interrupteur crépusculaire détecte la lumière ambiante et gère l'allumage et l'extinction des projecteurs lorsque la luminosité atteint le niveau réglé par l'utilisateur.

Lorsque les projecteurs à LED sont actifs, la caméra passe en mode nuit par la commande ONVIF prévue à cet effet.

7.10.1 Description du projecteur à LED

⚠ Pour ne pas compromettre la sécurité et le fonctionnement du projecteur, ne pas enlever la vis transparente du capteur crépusculaire.

- **Capteur crépusculaire:** Détecte le niveau de luminosité.
- **Câble:** Alimentation et contrôle.
- **Régulateur du seuil d'allumage:** Le potentiomètre permet de régler le niveau de sensibilité pour l'allumage du projecteur.
- **Régulateur puissance infrarouges:** Le potentiomètre permet de régler la puissance du projecteur.

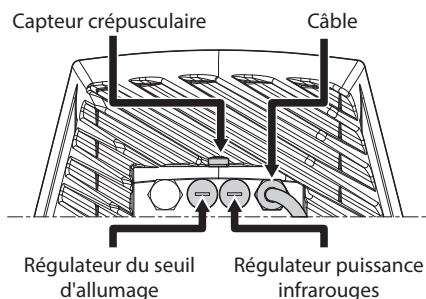


Fig. 30

7.10.2 Synchronisation avec un interrupteur crépusculaire externe

Pour synchroniser les illuminateurs et la caméra avec un crépusculaire externe, procéder comme suit:

- Relier l'interrupteur crépusculaire aux bornes: AL1/AGND (7.4.3 Branchement des entrées d'alarme, de l'interrupteur crépusculaire et des relais, page 18).
- Régler le projecteur gauche (MASTER):
 - **Seuil d'allumage:** Configurer la valeur sur OFF (7.10.5 Réglage du seuil d'allumage des projecteurs à LED, page 23).
 - **Puissance des infrarouges:** Configurer la valeur selon la nécessité (7.10.6 Réglage de la puissance des projecteurs à LED, page 23).
- Réglage du projecteur de droite (SLAVE):
 - **Seuil d'allumage:** Configurer la valeur au maximum (7.10.5 Réglage du seuil d'allumage des projecteurs à LED, page 23).
 - **Puissance des infrarouges:** Configurer la valeur au minimum (7.10.6 Réglage de la puissance des projecteurs à LED, page 23).

Depuis la rubrique Sonde IR, sélectionner l'option Externe (9.1.12 Paramètres Caméra, page 32).

Dans la carte I/O Numériques, configurer les valeurs de la façon suivante (9.1.10 I/O Numériques, page 31):

- **ID Alarme:** 1
- **Type:** NORMALEMENT OUVERT
- **Action:** IR_FILT

7.10.3 Synchroniser l'unité avec les projecteurs LED

Pour synchroniser l'unité avec les projecteurs à LED, procéder comme suit:

- Régler le projecteur gauche (MASTER):
 - **Seuil d'allumage:** Configurer la valeur selon la nécessité (7.10.5 Réglage du seuil d'allumage des projecteurs à LED, page 23).
 - **Puissance des infrarouges:** Configurer la valeur selon la nécessité (7.10.6 Réglage de la puissance des projecteurs à LED, page 23).

- Réglage du projecteur de droite (SLAVE):
 - **Seuil d'allumage:** Configurer la valeur au maximum (7.10.5 Réglage du seuil d'allumage des projecteurs à LED, page 23).
 - **Puissance des infrarouges:** Configurer la valeur au minimum (7.10.6 Réglage de la puissance des projecteurs à LED, page 23).

Depuis la rubrique Paramètres Chambre, sélectionner l'option Interne (9.1.12 Paramètres Caméra, page 32).

7.10.4 Activation manuelle des projecteurs à LED

Si on souhaite activer le projecteur à LED, il faut :

- Régler le projecteur gauche (MASTER):
 - **Seuil d'allumage:** Configurer la valeur sur OFF (7.10.5 Réglage du seuil d'allumage des projecteurs à LED, page 23).
 - **Puissance des infrarouges:** Configurer la valeur selon la nécessité (7.10.6 Réglage de la puissance des projecteurs à LED, page 23).
- Réglage du projecteur de droite (SLAVE):
 - **Seuil d'allumage:** Configurer la valeur au maximum (7.10.5 Réglage du seuil d'allumage des projecteurs à LED, page 23).
 - **Puissance des infrarouges:** Configurer la valeur au minimum (7.10.6 Réglage de la puissance des projecteurs à LED, page 23).

7.10.5 Réglage du seuil d'allumage des projecteurs à LED

! Le projecteur de droite doit toujours être configuré à la luminosité maximum.

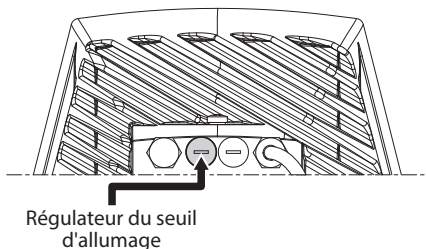


Fig. 31

Le projecteur a un capteur crépusculaire intégrée qui permet un allumage et un arrêt automatique à conditions lumineuses préétablies.

Le réglage du capteur crépusculaire est effectué en usine à un niveau lumineux fixé et approprié à la plupart des installations (environ 50lx). Si l'on souhaite régler différemment le seuil d'intervention, dévisser le bouchon situé à l'arrière du projecteur et effectuer le réglage avec un tournevis.

En tournant le bouton de réglage dans le sens des aiguilles d'une montre, la commutation en mode nocturne est avancée (à une valeur de luminosité supérieure.) En tournant le bouton de réglage dans le sens inverse des aiguilles d'une montre, la commutation en mode nocturne est retardée (à une valeur de luminosité inférieure.)

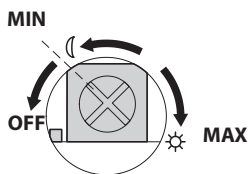


Fig. 32

Attendre les conditions de luminosité appropriées pour allumer le projecteur. Tourner lentement le trimmer jusqu'à ce que la LED présente sur le côté s'allume. Une fois que le seuil d'intervention (LED allumée) est dépassé, tourner légèrement dans le sens contraire.

! Au terme des réglages, vérifier que le bouchon de fermeture soit bien serré pour garantir l'étanchéité hermétique du produit.

7.10.6 Réglage de la puissance des projecteurs à LED

! Le projecteur de droite doit toujours être configuré à la puissance minimum.

i Le projecteur est réglé en usine afin de distribuer la puissance maximale. Если вы не служите, чтобы осветить далекие детали или изображение получается засвеченным из-за избыточной освещенности, отрегулируйте мощность, чтобы ее уменьшить и получить энергосбережение.

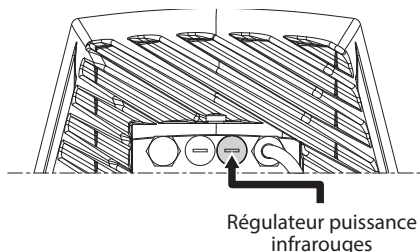


Fig. 33

Dévisser tout d'abord le bouchon de fermeture hermétique. Tourner le trimmer, dans le sens horaire pour augmenter la puissance des infrarouges et dans le sens antihoraire pour l'abaisser.

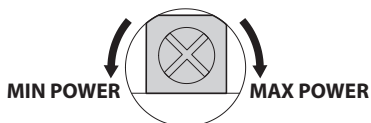


Fig. 34

! Au terme des réglages, vérifier que le bouchon de fermeture soit bien serré pour garantir l'étanchéité hermétique du produit.

7.11 Fixation du balai essuie-glace

Insérer le balai sur l'arbre de l'essuie-glace

Placer le balai en position de repos.

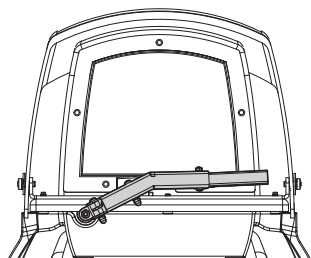


Fig. 35

Fixer l'ensemble avec rondelle dentée.

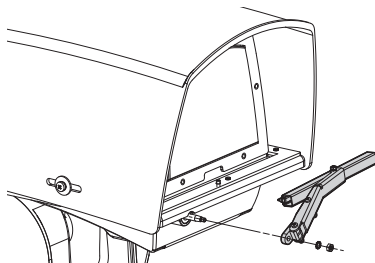


Fig. 36

i Un réglage correct doit permettre au balai de revenir en position de repos en entrant en contact avec la plaque de la structure.

8 Allumage



S'assurer que l'unité et les autres composants de l'installation soient fermés de façon à empêcher le contact avec les composants sous tension.



Durant le fonctionnement normal, la surface du projecteur peut atteindre des températures élevées. Éviter le contact direct et positionner l'appareil dans un endroit non accessible au personnel non autorisé. Avant de la toucher, éteindre le dispositif d'illumination et le laisser refroidir durant 10 minutes minimum.



Ne pas rester en proximité de l'appareil lorsqu'il est sous tension. N'intervenir sur le dispositif que hors tension.



Ne pas stationner à proximité du dispositif sous tension. N'intervenir sur le dispositif qu'avec l'alimentation coupée.



La procédure de préchauffage automatique (De-Ice) peut être activée chaque fois que le dispositif est mis en fonction à une température ambiante inférieure à 0°C. La procédure permet de garantir un fonctionnement correct du dispositif également à basse température. La durée varie entre 60 et 105 minutes en fonction des conditions.

Il suffit de brancher l'alimentation électrique pour allumer l'unité.

Débrancher l'alimentation électrique pour éteindre l'unité.

9 Configuration

9.1 Interface web

i À la première connexion, donner une adresse différente de 192.168.0.100.

i Logiciels de navigation supportés: Microsoft Internet Explorer, Google Chrome, Mozilla Firefox.

i L'adresse MAC est indiquée sur étiquette présente sur la carte CPU.

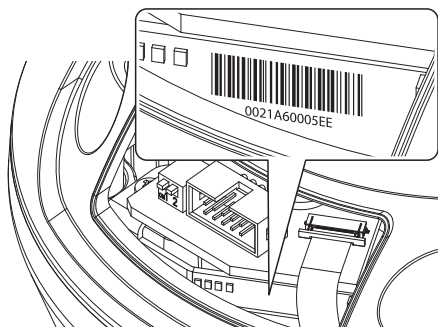


Fig. 37

La première opération pour configurer la tourelle consiste en la connexion à son interface web.

Dans les configurations prédéfinies, la tourelle est configurée pour acquérir de façon autonome une adresse par protocole DHCP et il est possible de détecter le dispositif par le protocole ONVIF, profil S.

Dans le cas où aucun serveur DHCP n'est pas disponible, la tourelle se configure automatiquement avec l'adresse 192.168.0.100.

Si un VMS ne serait pas disponible avec les fonctions de Auto Discovery par ONVIF, l'adresse acquise peut être lue dans les log du serveur DHCP.

Pour accéder à la tourelle il suffira de se connecter avec un navigateur à l'adresse http://adresse_ip et d'effectuer le login à la tourelle avec les données prédéfinies:

- **Username:** admin
- **Mot de passe:** admin

9.1.1 Home

Si le login est effectué avec succès, on pourra voir l'interface de gestion de la tourelle.



Fig. 38

9.1.2 Contrôles Utilisateur

Pour contrôler la tourelle par navigateur, sélectionner la mention Contrôle Utilisateur. Une nouvelle fenêtre s'ouvrira, avec un clavier virtuel pour sélectionner les commandes.

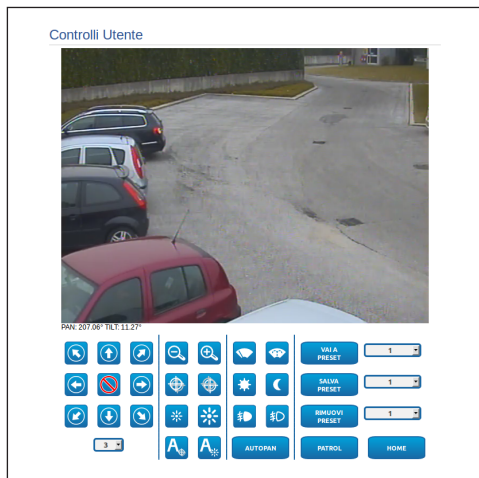


Fig. 39

Sur le clavier virtuel, se trouve les commandes suivantes :

- **Sélecteur vitesse:** Il permet de sélectionner la vitesse des mouvements de la tourelle.



Fig. 40

- **Zoom wide/Zoom tele**



Fig. 41

- **Focus far/Focus near/Auto focus**



Fig. 42

- **Iris close/Iris open/Auto iris**



Fig. 43

- **Wiper/Washer**



Fig. 44

- **Day:** Activer le filtre IR de la chambre. Si présents, éteint les projecteurs à LED.



Fig. 45

- **Night:** Désactiver le filtre IR de la chambre. Si présents, allume les projecteurs à LED.



Fig. 46

- **Visible Cut Filter On:** Active le filtre pour la réverbération (dans les modèles qui en sont équipés). Ce filtre permet d'obtenir des images nettes (en noir et blanc) en présence de brouillard ou de cadrages en contre-jour.



Fig. 47

- **Visible Cut Filter Off:** Désactive le filtre pour la réverbération (dans les modèles qui en sont équipés).



Fig. 48

9.1.3 Paramètres Dispositif

A la mention du menu Paramètres Dispositif il est possible de configurer le nom de la tourelle et d'afficher d'autres informations supplémentaires.

Paramètres du dispositif	
Nom du dispositif	UlisseNet.cam
Code produit	LPT2SVJAN00E
Noméro de série	113121290001
Adresse MAC	00:21:A6:00:07:D8
ID du produit	2
Micrologiciel Version: CPU Board	2.0
Micrologiciel Version: NET Board	6.0.0
Micrologiciel Version: NPP Board	6.0.0
Révision du hardware	0
Révision majeure	0
Révision mineure	0
Type de coffet	0

ENTRER
RESET

Fig. 49

9.1.4 Statistiques Dispositif

A la mention du menu Statistiques Dispositif on trouve, uniquement pour consultation, toutes les statistiques recueillies pendant le fonctionnement de la tourelle.

Statistiques du dispositif	
Degrés Pan	3364
Degrés TIR	1482
Albanage	134
Heures de travail	29
Température et maximum du coffet (°C)	40
Température et minimum du coffet (°C)	65454
Température et maximum de la fiche PAM (°C)	55
Température et minimum de la fiche PAM (°C)	22
Température et maximum de la fiche CPU (°C)	47
Température et minimum de la fiche CPU (°C)	20
Température et maximum de la fiche NET (°C)	40
Température et minimum de la fiche NET (°C)	19
Période d'albanage des phases R	0

ENTRER
RESET

Fig. 50

9.1.5 Configuration Réseau

A la mention du menu Configuration Réseau il est possible de changer la configuration de réseau de la tourelle. Il est possible de décider si le dispositif doit avoir une adresse attribuée de manière statique, dynamique avec DHCP, ou auto-générée. Le dispositif supporte le protocole Internet Protocol (IP) dans la version 4.

i Avec adresse auto-générée, le dispositif s'attribue automatiquement une adresse dans la gamme 169.254.0.0/16.

Toujours sur la même page, il est possible de configurer 2 DNS et de décider quels mécanismes doivent être actifs pour identifier automatiquement les dispositifs dans le réseau local.

Configuration réseau	
Version IP	IPv4
Type d'adresse	STATIQUE
Adresse IP (IPv4)	192.168.103.121
Masque de sous-réseau (IPv4)	255.255.255.0
Passerelle (IPv4)	192.168.103.1
Recherche automatique DNS	DÉSACTIVÉE
Serveur DNS préféré	8.8.4.4
Serveur DNS alternatif	8.8.8.8
Date & Time	2013-05-27 14:42:58 UTC
Serveur NTP	DÉSACTIVÉE
PC Sync	ACTIF
UPNP	ACTIF
Zeroconf	ACTIF
Découverte multidestinataire	ACTIF
Découverte WS	ACTIF

ENTRER
RESET

Fig. 51

Il est également possible de mentionner si le dispositif doit se synchroniser avec un serveur NTP (Network Time Protocol) externe.

- **NTP -> DESACTIVE:** Sélectionner cette option si on ne souhaite pas synchroniser date et heure du dispositif.
- **NTP -> DHCP:** Sélectionner cette option au cas où on souhaite synchroniser date et heure du dispositif avec celles d'un serveur NTP (Network Time Protocol) indiqué par le serveur DHCP.
- **NTP -> STATIQUE:** Sélectionner cette option au cas où on souhaite synchroniser date et heure du dispositif avec celles du serveur NTP indiqué par l'adresse statique.

i Pour un fonctionnement correct du dispositif, il est nécessaire de synchroniser la tourelle avec le logiciel VMS au moyen d'un serveur NTP.

9.1.6 Configuration Utilisateurs

A la mention du menu Configuration Utilisateurs il est possible d'administrer les utilisateurs qui peuvent accéder à la tourelle. Les utilisateurs du type Administrator peuvent accéder à la configuration du produit. Les utilisateurs du type Operator, User et Anonymous ont un accès limité aux pages de gestion.

Configuration Utilisateurs

Nom utilisateur	Permissions
admin	Administrateur

Création Utilisateur

Nom utilisateur:

Mot de passe:

Veuillez ré saisir le mot de passe:

Permissions:

OK Cancel

Fig. 52

i Le dispositif peut être configuré uniquement par un utilisateur avec les droits d'administrateur.

9.1.7 Paramètres Mouvement

A la mention du menu Paramètres Mouvement il est possible de contrôler par web tous les paramètres de la tourelle.

- **Offset Pan:** La tourelle a une position de 0° définie mécaniquement. La fonction Offset Pan permet de définir une position différente de 0° à l'aide du logiciel.
- **Vitesse Maximale:** Configure la vitesse manuelle maximale.
- **Vitesse avec Zoom:** Active l'option Vitesse avec Zoom. L'activation de ce paramètre réduit automatiquement la vitesse de Pan et Tilt en fonction du facteur de Zoom.
- **Facteur Tilt:** Configure le facteur de réduction de la vitesse manuelle de l'axe tilt.
- **Limites Pan:** Valide les limites de Pan.
- **Pan Début:** Configure la limite initiale de Pan.
- **Pan Fin:** Configure la limite finale de Pan.
- **Tilt Début:** Configure la limite initiale de Tilt.
- **Tilt Fin:** Configure la limite finale de Tilt.

Paramètres de mouvement

Options

Déplacement Pan [°] (0.00 - 259.99) 0.00

Contrôles manuels

Vitesse maximum [°/s] (0.02 - 40.00) 20.00

Vitesse avec zoom DÉSACTIVÉ

Facteur de Tilt 2

Limites de mouvement

Limites Pan DÉSACTIVÉ

Tilt de début [°] (-40.00 - 88.88) -40.00

Tilt de fin [°] (-39.99 - 90.00) 90.00

ENTRER

RESET

Fig. 53

9.1.7.1 Autopan

Dans la sous-section Autopan il est possible d'indiquer le preset de début et de fin de l'autopan.

Fig. 54

9.1.7.2 Patrol

Dans la sous-section Patrol il est possible d'indiquer le preset de début et de fin du patrol. Il est possible d'indiquer si l'analyse des preset doit avoir lieu de façon causale ou non.

Fig. 55

9.1.7.3 Rappel Mouvements

Dans la sous-section Rappel Mouvements il est possible d'indiquer un intervalle de temps d'inactivité au-delà duquel la tourelle effectuera une des suivantes fonctions: retour à la position Home, mise en marche de l'autopan ou mise en marche du patrol.

Fig. 56

9.1.8 Paramètres Preset

A la mention du menu Paramètres Preset on peut configurer certains paramètres concernant les preset:

- **Vitesse Scan:** La vitesse en degrés à la seconde, avec laquelle un preset est atteint, sur demande explicite de l'opérateur.
- **Type de rampe:** Permet de sélectionner les accélérations de la tourelle.
- **Vitesse Mouvements (Par Défaut):** La vitesse utilisée dans les opérations d'autopan et patrol.
- **Imposer vitesse par défaut:** La vitesse par défaut sera configurée aussi comme vitesse de scan pour tous les preset.
- **Pause Par Défaut:** Le temps en secondes de permanence par défaut de chaque preset.
- **Imposer pause par défaut:** La pause par défaut sera configurée pour tous les preset.

Fig. 57

9.1.9 Paramètres Preset (Avancé)

Dans la section Paramètres Preset (Avancé) il est possible de personnaliser les valeurs de vitesse et pause pour chaque preset, en plus que d'activer/désactiver les preset mêmes.

Fig. 58

9.1.10 I/O Numériques

Dans la carte I/O Numériques il est possible de configurer les canaux numériques présents dans la tourelle. Il y a ci-dessous une courte description des paramètres configurables pour chaque entrée numérique.

- **ID Alarme:** Champ utilisé pour sélectionner l'entrée numérique souhaitée.
- **Type:** Indique l'état par défaut de l'entrée numérique. Il peut être configuré sur Normalement Ouvert ou Normalement Fermé.
- **Action:** À chaque entrée, une action peut être associée. L'action est activée dès que le contact passe dans un état différent de celui par défaut. Les actions disponibles sont énumérées ci-dessous :
 - **NONE:** Aucune action.
 - **SCAN:** Positionner la tourelle sur la préposition sélectionnée.
 - **PATROL:** Activer le PATROL.
 - **AUTOPAN:** Activer l'AUTOPAN.
 - **WIPER:** Activer le Wiper.
 - **WASHER:** Activer la séquence de lavage de la vitre.
 - **RELAIS 1:** Activer le Relais 1.
 - **RELAIS 2:** Activer le Relais 2.
 - **IR FILT:** Désactiver le Filtre IR de la chambre. Si présents, allume les projecteurs à LED.

Pour un contrôle du fonctionnement correct des alarmes, dans la page web se trouve un petit rond. Le petit rond sera vert dans les conditions normales et rouge quand une alarme est détectée.

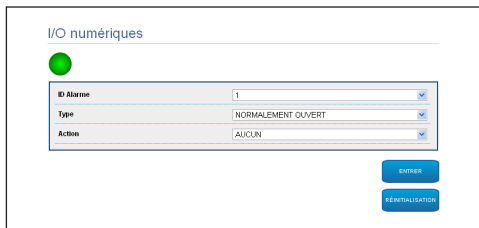


Fig. 59

9.1.11 Washer

La pompe pour le lavage de la tourelle est configurée dans la carte Washer, où il est possible d'associer un preset à l'opération de lavage, de configurer la durée du lavage du verre et d'indiquer le retard d'activation et de désactivation de l'essuie-glace.

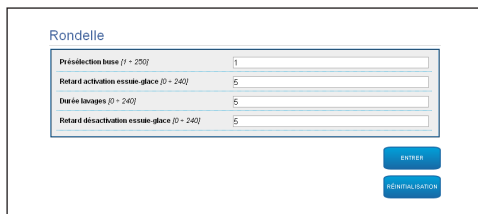


Fig. 60

9.1.12 Paramètres Caméra

Les paramètres de la caméra IP qui ont été configurés à la première mise en marche sont modifiables dans la section Paramètres Caméra. Dans la section Paramètres Caméra il est possible également d'indiquer le facteur de zoom et la précision de la position du zoom. Dans cette section, il est également possible de visualiser les données relatives aux différents profils ONVIF exportés par la chambre.

À la mention du menu Lentilles il est possible de sélectionner l'une des options suivantes:

- **Motorisées:** Contrôle par la tourelle.
- **Intégrées:** Contrôle par la caméra.
- **Fixe:** Non contrôlables.

Dans le cas de lentilles motorisées, la connexion (à fil commun ou à inversion de polarité) et la polarité de rotation du Zoom, du Focus et de l'Iris peuvent être configurées.

Fig. 61

Pour modifier les configurations de la caméra, sélectionner le bouton VTunnel (9.1.13 Instruments, page 32).

9.1.13 Instruments

À la mention du menu Instruments il est possible de reconfigurer les valeurs prédéfinies pour toute la configuration de la tourelle ou seulement pour certaines sections spécifiques.

Dans cette section, il est en outre possible :

- Mettre à jour le firmware du dispositif.
- Redémarrer la tourelle.
- Télécharger le logiciel VTunnel pour activer la connexion avec la caméra IP, indispensable pour accéder à la page web de celle-ci.
- Accéder aux pages web de la caméra.

Fig. 62

9.1.14 Factory Default



Si le mot de passe ne est plus disponible, il est possible de rétablir les paramètres d'usine à l'aide de la touche reset, situé à l'intérieur de la base.

Pour restaurer les configurations d'usine relatives au réseau, à l'accès utilisateurs et à la configuration de la chambre, suivre la procédure:

- Allumer l'unité.
- Ouvrir le volet du commutateur DIP.
- Localiser le commutateur DIP 4 (01). Porter le commutateur 1 vers le bas, valeur 1 (ON).
- Attendre l'extinction temporaire des LED (02).
- Reporter le commutateur 1 vers le haut, valeur 0 (OFF).
- Fermer le panneau.

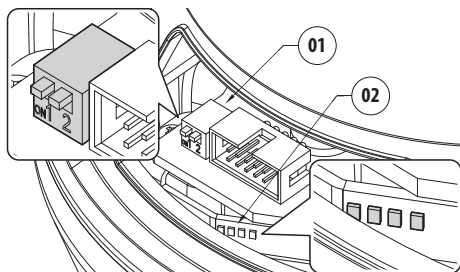


Fig. 63

9.2 VTTunnel



Le logiciel fonctionne seulement avec Java™. Si Java™ n'a pas été précédemment installé, télécharger la dernière version du site www.java.com.



Le logiciel peut se connecter seulement à la première interface de réseau actif. Ne laisser connecté que le câble de réseau, relié à la tourelle.



L'exécution du logiciel requiert les privilèges d'administration de l'ordinateur. Le message You have to execute javaw as administrator pourrait apparaître sur le moniteur. Dans ce cas, il sera nécessaire de modifier les propriétés d'exécution du fichier javaw.exe situé dans le dossier d'installation de Java.

Afin de connecter la caméra IP, vous devez utiliser le programme de VTTunnel, démarrable du menu Instruments.

Au lancement du programme, sera montrée une liste des dispositifs en réseau. Pour se connecter à la chambre, il est nécessaire de sélectionner la tourelle souhaitée et d'appuyer sur le touche Connect.

Une fois que la connexion est établie, la page Web de la caméra IP sera atteinte à l'adresse 192.0.0.64.

Lorsque les opérations sur la caméra seront terminées, vous pouvez fermer la connexion en cliquant sur le touche Disconnect. Il est possible de se connecter à une caméra à la fois et donc nécessaire de se déconnecter de la tourelle avant d'agir sur un'autre unité de positionnement.

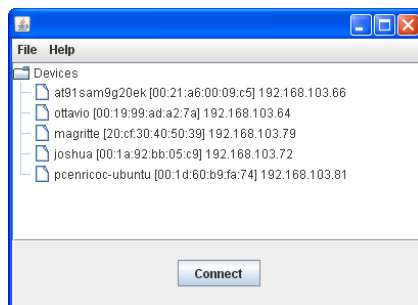


Fig. 64



Si pendant la configuration de la caméra, les paramètres de streaming vidéo sont modifiés, il faut redémarrer la tourelle.

10 Accessoires

i Pour de plus amples informations sur la configuration et l'utilisation, consulter le manuel de l'accessoire correspondant.

10.1 Système de lavage

La tourelle peut être équipée d'une pompe extérieure qui fournit de l'eau pour le nettoyage de la vitre.

Lorsque l'on envoie la commande, la tourelle se positionne avec la vitre devant la buse (9.1.2 Contrôles Utilisateur, page 27). La pompe et l'essuie-glace sont validés pendant une durée déterminée. À la fin de la procédure la tourelle revient dans sa position initiale.

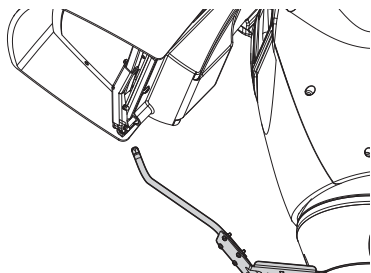


Fig. 65

10.1.1 Branchement du système de lavage

! ATTENTION! L'installation est du type TNV-1. Ne pas la connecter à des circuits SELV.

! ATTENTION! Pour réduire les risques d'incendie, utiliser uniquement des câbles de sections égales ou supérieures à 0.13mm² (AWG 26).

! Tous les câbles de signalisation doivent également être regroupés avec un collier.

BRANCHEMENT DU SYSTÈME DE LAVAGE	
Bornes	Description
O1-C1	Contact sec pour activation du système de lavage.

Tab. 5

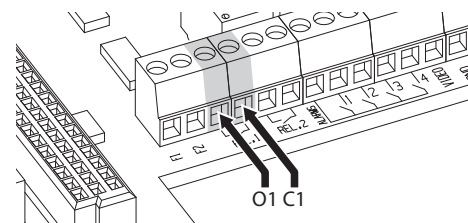


Fig. 66

10.2 Support fixation murale

Support mural avec passage interne des câbles.

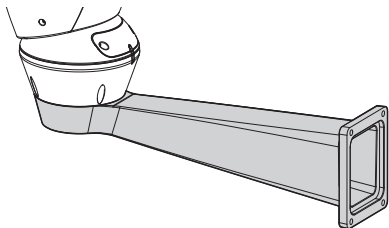


Fig. 67

10.3 Support fixation sol

Support de fixation au sol avec passage interne des câbles.

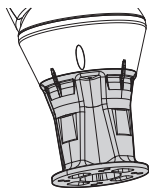


Fig. 68

10.4 Alimentateur avec contrôle des projecteurs.

Boîte étanche avec alimentateur et contrôle des projecteurs.

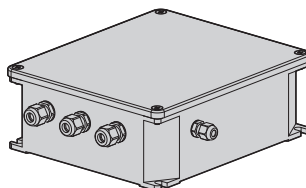


Fig. 69 Version du boîtier standard.

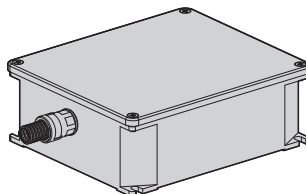


Fig. 70 Version du boîtier certifié UL.



Pour d'autres renseignements se référer à le chapitre relatif (7.4.3 Branchement des entrées d'alarme, de l'interrupteur crépusculaire et des relais, page 18).

11 Entretien



L'entretien doit être **uniquement effectué par un personnel qualifié en matière de circuits électriques.**

11.1 Remplacement des fusibles



Il faut effectuer l'entretien en **absence d'alimentation et lorsque le dispositif de sectionnement ouvert.**

En cas de nécessité remplacer le fusible illustrée sur la figure (7.3 Description de la carte de connexion, page 15).

REMPACEMENT DES FUSIBLES		
Tension	Fusible F1	Fusible F2
24Vac, 50/60Hz	F 6.3A L 250V 5x20	T 8A H 250V 5x20
120Vac, 50/60Hz	F 6.3A L 250V 5x20	T 4A H 250V 5x20
230Vac, 50/60Hz	F 6.3A L 250V 5x20	T 2A H 250V 5x20

Tab. 6

12 Nettoyage

12.1 Entretien de la vitre et des parties en plastique



On doit éviter **alcool éthylique, solvants, hydrocarbures hydro-génés, acides forts et alcali. L'emploi de ce type de produits abîme d'une façon irréparable la surface traitée.**

Il est conseillé d'utiliser un chiffon souple avec des savons neutres dilués avec de l'eau ou des produits spécifiques pour le nettoyage des verres des lunettes.

13 Élimination des déchets



Ce symbole et le système de recyclage ne sont appliqués que dans les pays UE et non dans les autres pays du monde.

Votre produit est conçu et fabriqué avec des matériaux et des composants de qualité supérieure qui peuvent être recyclés et réutilisés.

Ce symbole signifie que les équipements électriques et électroniques en fin de vie doivent être éliminés séparément des ordures ménagères.

Nous vous prions donc de confier cet équipement à votre Centre local de collecte ou Recyclage.

Dans l'Union Européenne, il existe des systèmes sélectifs de collecte pour les produits électriques et électroniques usagés.

14 Dépannage

Demander l'intervention d'un personnel qualifié dans les cas suivants:

- L'unité est endommagée à la suite d'une chute;
- Les performances de l'unité ont baissé.
- L'unité ne fonctionne pas correctement après avoir respecté toutes les indications de ce manuel.

PROBLÈME

Le produit ne s'allume pas.

CAUSE

Câblage incorrect, rupture des fusibles.

SOLUTION

Vérifier les connexions. Vérifié la continuité des fusibles et les remplacer avec les modèles indiqués en cas de panne.

PROBLÈME

Durant la mise en service, la tourelle reste bloquée.

CAUSE

La température ambiante est très basse.

SOLUTION

Attendre la fin de la procédure de préchauffage.

15 Données techniques

15.1 Généralités

Fabriqué en fonte d'aluminium et en ABS

Vernissage avec poudres époxypolyester, couleur RAL9002

Caisson positionné en partie supérieure (OTT)

Transmission par courroie dentée de haute précision

Slip-ring

Fins de course électroniques

Installation et intervention simplifiée grâce au connecteur

Aucun jeu mécanique

Senseurs optiques pour positionnement absolu

Essuie-glace intégré

Caméra et objectif préinstallés

15.2 Mécanique

Presse-étoupes: 3xM16

Rotation horizontale: continue

Zoom 18x:

- Rotation verticale: de +90° à -40°
- Vitesse horizontale (variable): de 0.02°/s à 100°/s (de 0.02°/s à 40°/s, pour projecteurs à LED)
- Vitesse verticale (variable): de 0.02°/s à 50°/s (de 0.02°/s à 30°/s, pour projecteurs à LED)

Zoom 33x:

- Rotation verticale: de +45° jusqu'à -20°
- Vitesse horizontale (variable): de 0.02°/s jusqu'à 20°/s
- Vitesse verticale (variable): de 0.02°/s jusqu'à 20°/s

Surface intérieure utile: Voir dessins

Précision du rappel des prépositions: 0.02°

Poids net: 17kg (18x), 30kg (33x)

15.3 Électrique

Tension d'alimentation/Courant absorbé:

- 230Vac, 0.4A, 50/60Hz
- 24Vac, 4A (8A pour projecteurs à LED), 50/60Hz
- 120Vac, 0.8A, 50/60Hz

Puissance absorbée:

- 100W
- 150-190W max pour projecteurs à LED en 24Vac
- 28.5W (18x), 24W (33x), tourelle à l'arrêt, chauffage éteint

Alimentation caméra: 12Vdc (800mA)

4 sorties d'alarmes auto-alimentées

2 contacts secs: 30Vdc max ou 30Vac, @ 1A

15.4 Communications

Connexion Ethernet: IEEE 802.3 100Base-Tx

15.5 Protocoles

ONVIF, Profil S

Pour configuration du dispositif: TCP/IPv4, UDP/IPv4, HTTP, NTP, DHCP, WS-DISCOVERY, QoS

Pour le streaming: RTSP, RTCP, RTP

15.6 Caméra

Day/Night Full HD, 60fps, CMOS 1/1.9" capteur

Pixels effectifs: 2.38 Megapixel

Illumination minimum Zoom 18x, Couleur (ICR-OFF):

- 0.08lx, 50 IRE F2.5, 1/30s

Illumination minimum Zoom 18x, B/W (ICR-ON):

- 0.06lx, 50 IRE F2.5, 1/30s

Illumination minimum Zoom 33x, Couleur (ICR-OFF):

- 0.1lx, 50 IRE F3.0, 1/30s

Illumination minimum Zoom 33x, B/W (ICR-ON):

- 0.07lx, 50 IRE F3.0, 1/30s

Zoom 18x:

- Angle de vision horizontal: 40.6° (wide end) à 2.4° (tele end)
- Angle de vision vertical: 30.8° (wide end) à 1.8° (tele end)

Zoom 33x:

- Angle de vision horizontal: 23.42° (wide end) à 0.74° (tele end)
- Angle de vision vertical: 17.74° (wide end) à 0.55° (tele end)

S/N Ratio: Plus de 50 dB

WDR (wide dynamic range): 90dB

Electronic Shutter: 1/1 à 1/10,000 s

Contrôle Exposition: Compensation de l'exposition, AGC, Electronic Shutter, Iris

Equilibrage du blanc: ATW, ATW PRO, Lampe fluorescente, Lampe au mercure, Lampe à vapeur de sodium, Lampe aux halogénures métalliques, LED blanc, Open Push WB, Manuel

Wide-D: View-DR

Correction Tone: Amélioration image

Réduction du bruit: XDNR

15.7 Optiques

Zoom 18x, 8.5-154mm, F2.5

Zoom 33x, 15-500mm, F2.5 (Système de compensation thermique et filtre anti-éblouissement - Visible Cut Filter - options)

15.8 Environnement

Intérieur/Extérieur

Température de fonctionnement: -40°C/+60°C

Température d'accession pour version 33x: -30°C/+60°C

Protection contre les impulsions: jusqu'à 2kV entre ligne et ligne, jusqu'à 4kV entre ligne et terre (Classe 4)

15.9 Certifications

Sécurité électrique (CE): EN60950-1, IEC60950-1

Compatibilité électromagnétique (CE): EN50130-4, EN610000-6-4, EN55022 (Classe A), FCC Part 15 (Classe A)

Installation à l'extérieur (CE): EN60950-22, IEC60950-22

Sécurité photobiologique (CE): EN62471 projecteurs à LED)

Degré de protection IP: EN60529, IP66

Résistant au brume saline: EN50130-5, EN60068-2-52

Certification UL: cULus Listed (TYPE 4X)

Certification EAC

16 Dessins techniques



Les dimensions des dessins sont exprimées en millimètres.

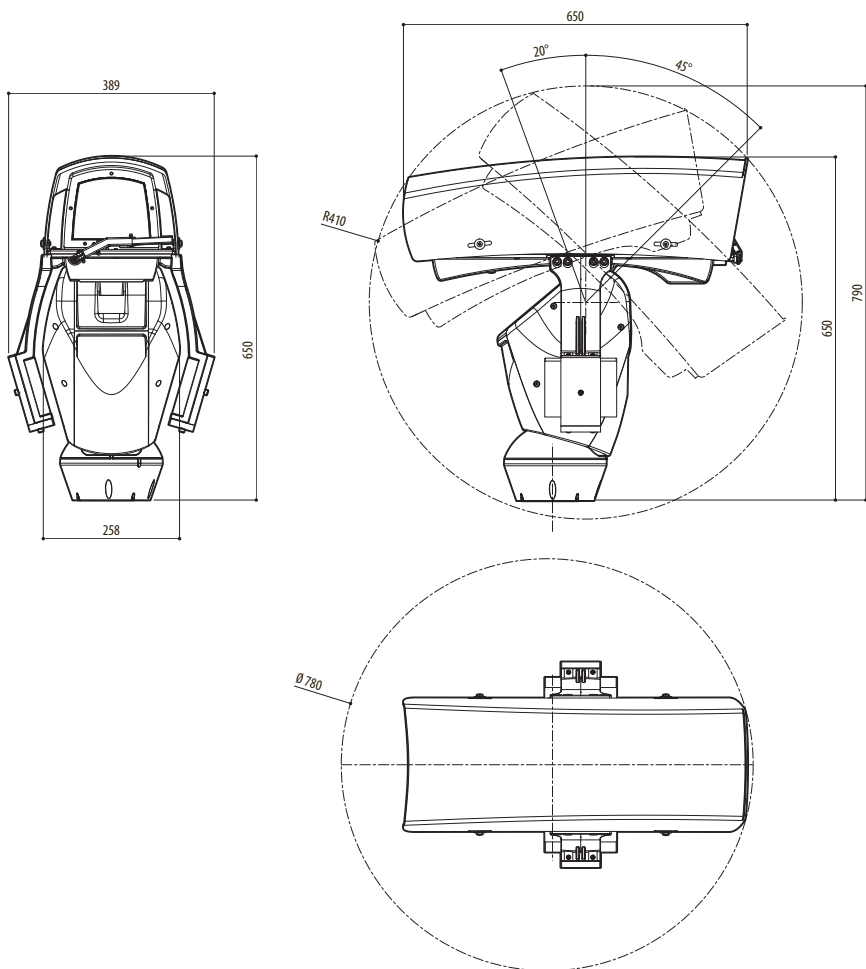


Fig. 71 ULISSE RADICAL, Zoom 33x.

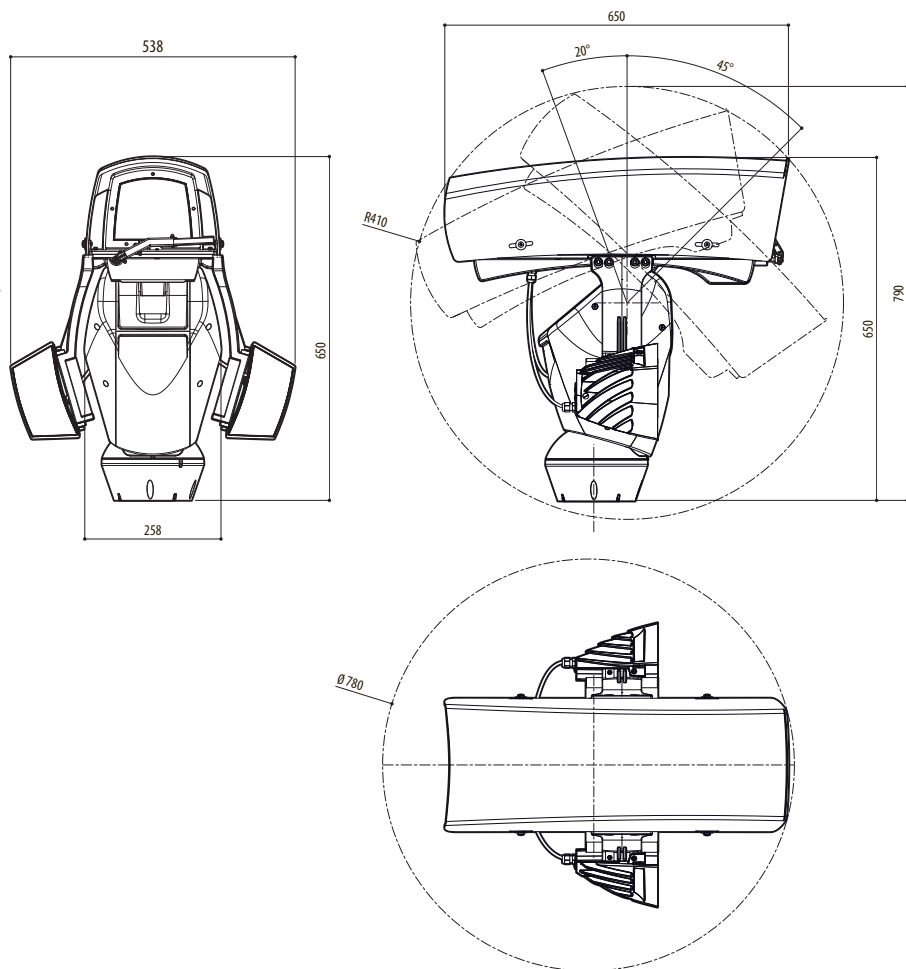


Fig. 72 ULISSE RADICAL, Zoom 33x, version avec prédisposition pour le montage des deux projecteurs à LED.

Headquarters Italy Videotec S.p.A.

Via Friuli, 6 - I-36015 Schio (VI) - Italy

Tel. +39 0445 697411 - Fax +39 0445 697414

Email: info@videotec.com

Asia Pacific Videotec (HK) Ltd

Flat 8, 19/F. On Dak Industrial Building, No. 2-6 Wah Sing Street

Kwai Chung, New Territories - Hong Kong

Tel. +852 2333 0601 - Fax +852 2311 0026

Email: info.hk@videotec.com

France Videotec France SARL

Immeuble Le Montreal, 19bis Avenue du Québec, ZA de Courtaboeuf
91140 Villebon sur Yvette - France

Tel. +33 1 60491816 - Fax +33 1 69284736

Email: info.fr@videotec.com

Americas Videotec Security, Inc.

Gateway Industrial Park, 35 Gateway Drive, Suite 100

Plattsburgh, NY 12901 - U.S.A.

Tel. +1 518 825 0020 - Fax +1 518 825 0022

Email: info.usa@videotec.com - www.videotec.us



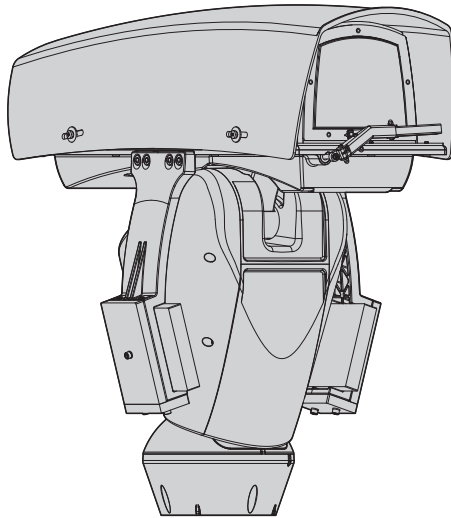
www.videotec.com

MNVCUPKHXL_1514_FR



ULISSE RADICAL

PTZ Einheit mit integrierter Kamera und Optik



Inhaltsverzeichnis

1 Allgemeines	7
1.1 Schreibweisen.....	7
2 Anmerkungen zum Copyright und Informationen zu den Handelsmarken.....	7
3 Sicherheitsnormen	7
4 Identifizierung	10
4.1 Beschreibung und Bezeichnung des Produktes.....	10
4.2 Kennzeichnung des Produkts.....	10
4.2.1 Prüfung der Kennzeichnung	10
5 Versionen.....	11
5.1 LED Scheinwerfer.....	11
6 Vorbereitung des Produktes auf den Gebrauch.....	11
6.1 Sicherheitsvorkehrungen vor dem Gebrauch.....	11
6.2 Entfernen der Verpackung	12
6.2.1 Entfernung der Schutzverpackung.....	12
6.2.1.1 Öffnung des Schutzgehäuse	12
6.2.1.2 Herausziehen der Schutzverpackung	12
6.3 Inhalt	13
6.4 Sichere Entsorgung der Verpackungsmaterialien	13
6.5 Auf die Installation vorbereitende Tätigkeiten.....	13
6.5.1 Befestigung der Halterung.....	13
6.5.2 Kabelführung	13
7 Installation	14
7.1 Anschließen der Kabel an die Basis.....	14
7.2 Befestigung der Basis an der Halterung.....	15
7.3 Beschreibung der Karte Anschlüsse	15
7.4 Anschluss der Stromversorgung.....	16
7.4.1 Anschluss der Stromversorgungslinie 24Vac	17
7.4.2 Anschluss der Versorgungsleitung in 120Vac und 230Vac.....	17
7.4.3 Anschluss der Alarmeingänge, der Dämmerungsschalter und der Relais	18
7.5 Anschluss der Ethernet-Netz-Kabel	18
7.6 Befestigung des oberen Körpers.....	19
7.7 Aufbau der Gegengewichte.....	19
7.8 Montage der Scheinwerfer mit LED.....	20
7.8.1 Entfernen der Gegengewichte	20
7.8.2 Montage des Scheinwerfers auf den Bügel	20
7.9 Anschluss der LED-Scheinwerfer	21
7.10 Einstellung der LED-Scheinwerfer und Vorgehensweise zur Gleichschaltung mit der Kamera..	21
7.10.1 Beschreibung des LED-Scheinwerfers.....	21
7.10.2 Synchronisierung mit einem externen Dämmerungsschalter	22
7.10.3 Die Einheit mit den LED-Scheinwerfern synchronisieren	22
7.10.4 Manuelle Aktivierung der LED-Scheinwerfer.....	22

7.10.5 Einstellung der Einschaltsschwelle der LED-Scheinwerfer	23
7.10.6 Einstellung der Leistung der LED-Scheinwerfer	23
7.11 Befestigung des Wischerblattes.....	24
8 Einschaltung	25
9 Konfiguration.....	26
9.1 Web-Schnittstelle.....	26
9.1.1 Home.....	26
9.1.2 Benutzersteuerung	27
9.1.3 Geräteparameter	28
9.1.4 Gerätestatistiken	28
9.1.5 Netzwerk-Konfiguration	28
9.1.6 Benutzer-Konfiguration.....	29
9.1.7 Bewegungsparameter	29
9.1.7.1 Autopan	30
9.1.7.2 Patrol	30
9.1.7.3 Bewegungsanforderung.....	30
9.1.8 Preset-Parameter	30
9.1.9 Preset-Parameter (Erweitert)	30
9.1.10 Digitale I/O.....	31
9.1.11 Washer.....	31
9.1.12 Kamera-Parameter	32
9.1.13 Werkzeuge.....	32
9.1.14 Factory Default.....	33
9.2 VTTunnel.....	33
10 Zubehör.....	34
10.1 Waschanlage	34
10.1.1 Anschluss der Waschanlage.....	34
10.2 Wandhalterung	35
10.3 Halterung für Brüstungsmontage	35
10.4 Netzteil mit Steuerung der Scheinwerfer	35
11 Wartung.....	36
11.1 Wechsel der Sicherungen.....	36
12 Reinigung	36
12.1 Reinigung des Glases und der Kunststoffteile	36
13 Müllentsorgungsstellen.....	36
14 Problemlösung	36
15 Technische Daten.....	37
15.1 Allgemeines.....	37
15.2 Mechanik.....	37
15.3 Elektrik.....	37
15.4 Kommunikation	37
15.5 Protokolle	37
15.6 Kamera	38
15.7 Optiken	38
15.8 Umgebung	38

15.9 Zertifizierungen	38
16 Technische Zeichnungen.....	39

1 Allgemeines

Lesen Sie bitte vor dem Installieren und dem Verwenden dieses Gerätes die Bedienungsanleitung sorgfältig durch. Bewahren Sie sie zum späteren Nachschlagen auf.

1.1 Schreibweisen



GEFAHR!

Erhöhte Gefährdung.
Stromschlaggefahr. Falls nichts anderes angegeben, unterbrechen Sie die Stromversorgung, bevor die beschriebenen Arbeiten durchgeführt werden.



GEFAHR!

Heiße Oberfläche.
Nicht berühren. Die Oberflächen sind heiß und können bei Berührung zu Verbrennungen führen.



GEFAHR!

Gefahr mechanischer Natur.
Quetsch- oder Scherkantengefahr.



ACHTUNG!

Mittlere Gefährdung.
Der genannte Vorgang hat große Bedeutung für den einwandfreien Betrieb des Systems: es wird gebeten, sich die Verfahrensweise anzulesen und zu befolgen.



ANMERKUNG

Beschreibung der Systemmerkmale.
Eine sorgfältige Lektüre wird empfohlen, um das Verständnis der folgenden Phasen zu gewährleisten.

2 Anmerkungen zum Copyright und Informationen zu den Handelsmarken

Die angeführten Produkt- oder Firmennamen sind Handelsmarken oder eingetragene Handelsmarken.

3 Sicherheitsnormen



ACHTUNG! Die elektrische Anlage, an der die Einheit angeschlossen ist, muss mit einem automatischen zweipoligen Schutzschalter 20A max ausgestattet sein. Dieser Schalter muss vom Typ Listed sein. Zwischen den Kontakten muss mindestens ein Abstand von 3mm vorhanden sein. Der Schalter muss eine Schutzeinrichtung gegen Erde Fehlerstrom (Differenzial) und gegen Überstrom haben (magnetothermisch).



ACHTUNG! Die Installation und Wartung der Vorrichtung ist technischen Fachleuten vorbehalten.



ACHTUNG! Damit ein ständiger Brandschutz garantiert wird, sind die Sicherungen nur in dem gleichen Typ und Wert zu ersetzen. Die Sicherungen sind nur von Fachleuten zu ersetzen.



ACHTUNG! Die Anlage gehört zum Typ TNV-1. Nicht an Kreisläufe SELV anschließen.



ACHTUNG! Zur Senkung der Brandgefahr dürfen nur UL Listed oder CSA zertifizierte Kabel benutzt werden, die mindestens der Größe 0.13mm² (26 AWG) entsprechen.

- Der Hersteller lehnt jede Haftung für eventuelle Schäden ab, die aufgrund unsachgemäßer Anwendung der in diesem Handbuch erwähnten Geräte entstanden ist. Ferner behält er sich das Recht vor, den Inhalt ohne Vorkündigung abzuändern. Die Dokumentation in diesem Handbuch wurde sorgfältig ausgeführt und überprüft. Der Hersteller kann dennoch keine Haftung für die Verwendung übernehmen. Dasselbe gilt für jede Person oder Gesellschaft, die bei der Schaffung oder Produktion von diesem Handbuch miteinbezogen ist.

- Unterbrechen Sie die Stromversorgung, bevor die beschriebenen Arbeiten durchgeführt werden.
- Es dürfen keine Kabel mit Verschleiß- oder Alterungsspuren verwendet werden.
- Unter keinen Umständen dürfen Veränderungen oder Anschlüsse vorgenommen werden, die in diesem Handbuch nicht genannt sind. Der Gebrauch ungeeigneten Geräts kann die Sicherheit des Personals und der Anlage schwer gefährden.
- Es dürfen nur Original-Ersatzteile verwendet werden. Nicht originale Ersatzteile können zu Bränden, elektrischen Entladungen oder anderen Gefahren führen.
- Vor der Installation ist anhand des Kennzeichnungsschildes nachzuprüfen, ob das gelieferte Material die gewünschten Eigenschaften (4.2 Kennzeichnung des Produkts, Seite 10).
- Die Einrichtung ist für den dauerhaften Einbau in ein Gebäude oder eine andere geeignete Struktur konzipiert. Vor jeder Operation muss die Einrichtung dauerhaft eingebaut werden.
- Die Installationskategorie (auch als Überspannungskategorie bezeichnet) gibt den Pegel der Netzspannungsschläge an, denen die Ausrüstung ausgesetzt ist. Die Kategorie hängt vom Installationsort der Ausrüstung und von den externen Schutzeinrichtungen gegen Spannungsschläge ab. Ausrüstungen in einer gewerblichen Umgebung, die direkt mit den Hauptzweigen der Versorgungsanlage verbunden sind, gehören zur Installationskategorie III. In diesem Fall ist eine Abstufung auf Installationskategorie II erforderlich. Dies kann durch den Einsatz eines Isoliertransformators mit einem geerdeten Schirm zwischen Primär- und Sekundärwicklung erreicht werden. Alternativ können UL-gelistete Überspannungsschutzvorrichtungen (SPD) von Fase zu Nullleiter und von Nullleiter zur Erde geführt werden. UL-gelistete Überspannungsschutzvorrichtungen sind für die wiederholte Begrenzung kurzzeitig auftretender Spannungsspitzen und für die folgenden nominellen Betriebsbedingungen auszulegen: Typ 2 (Dauerhaft angeschlossene Überspannungsschutzvorrichtungen für die Installation auf der Ladungsseite der Hilfseinrichtung); Nennladestrom (In) 20kA min. Benutzt werden können beispielsweise: FERRAZ SHAWMUT, STT2240SPG-CN, STT2BL240SPG-CN, spezifiziert für 120Vac/240Vac, (In=20kA). Der maximale Abstand zwischen dem Einbau und der Abkürzung ist 5m.
- Eine sofort und problemlos zugängliche Abtrennvorrichtung muss in die Elektroanlage des Gebäudes eingebaut werden, um einen schnellen Eingriff zu garantieren.
- Der im Gerät verfügbare Erdungsanschluss muss ständig geerdet sein.
- Gefährliche Losteile. Finger und andere Körperteile fernhalten.
- Vorgeschrieben ist der Anschluss an eine Versorgungsquelle, deren Eigenschaften den Angaben auf dem Kennzeichnungsschild entsprechen. Vor der Installation ist zu prüfen, ob die Stromleitung sachgerecht abgetrennt ist. Die Versorgungsspannung darf die Toleranzen ($\pm 10\%$) nicht überschreiten.
- Die Vorrichtung mit einer isolierten Quelle Typ SELV 24Vac, 8A versorgen, von einem Transformator mit doppelter Isolierung UL Listed kommend, der entsprechend am Ausgang geschützt ist.
- Die Einrichtung ist so zu montieren, dass sie für keine andere Person als den Techniker oder Installateur zugänglich ist. Da sie mit beweglichen Teilen ausgestattet ist, bleibt ein Restrisiko, sich an den Bewegungselementen zu verletzen.
- Bringen Sie das Schildchen Gefährliche Bewegungsteile in der Nähe der Einrichtung an. (Abb. 3, Seite 11).
- Das Gerät nicht in der Nähe entzündlicher Stoffe benutzen.
- Für den Anschluss der Versorgungsleitung den entsprechenden Anschlusskasten verwenden (UPTJBUL). Für weitere Informationen siehe Bedienungs- und Installationshandbuch des Produktes.

- Kindern oder unbefugten Personen ist der Gebrauch des Gerätes zu untersagen.
- Das Gerät gilt erst dann als deaktiviert, wenn die Stromversorgung ausgeschaltet und die Verbindungskabel zu den anderen Einrichtungen entfernt worden sind.
- Die Wartung der Einrichtung ist Fachleuten vorbehalten. Während der Wartungsarbeiten ist die tätige Person der Gefahr von Stromschlägen und anderen Gefahren ausgesetzt.
- Verwenden Sie nur vom Hersteller empfohlenes Zubehör. Jede vom Hersteller nicht ausdrücklich genehmigte Veränderung führt zum Verfall der Gewährleistungsrechte.
- Vor dem Anschluss sämtlicher Signalkabel ist zu prüfen, ob die Einrichtung sachgerecht mit dem Erdungskreis verbunden ist.
- Wenn die Einrichtung von der Anlage getrennt werden muss, ist das Erdungskabel stets zuletzt abzuklemmen.
- Vermeiden Sie durch gebotene Vorkehrungen, dass das Gerät durch elektrostatische Entladungen beschädigt wird.
- Die Einheit ist dafür ausgelegt, über ein dreipoliges Kabel angeschlossen zu werden. Folgen Sie den Anleitungen in diesem Handbuch für den korrekten Anschluss des Erdungskreises.
- Die Einrichtung ist vorsichtig zu handhaben, starke mechanische Beanspruchungen könnten sie beschädigen.
- Achten Sie besonders auf die Isolierabstände zwischen der Versorgungsleitung und allen anderen Kabeln einschließlich der Vorrichtungen zum Schutz gegen Blitzeinschlag.
- Die Einrichtung darf nur mit größter Vorsicht transportiert werden. Ruckartige Haltemanöver, Höhenunterschiede und starke Aufpralle können das Objekt schädigen oder den Benutzer verletzen.

4 Identifizierung

4.1 Beschreibung und Bezeichnung des Produktes

ULISSE RADICAL ist das erste einsatzbereite Netzwerk- Full-HD- PTZ- System von Videotec, dass außergewöhnliche Kombinationen von Objektiv und Kamera, Full HD 1080p, 60fps und 1/2" Sensor, integriert.

Zur Erfüllung der anspruchsvollsten Anforderungen der Videoüberwachung, diese PTZ-Einheit kann in einem Gehäuse mit 18x- oder 33x-Optiken ausgestattet.

ULISSE RADICAL ist ONVIF zertifiziert und ist daher mit den meisten VMS auf dem Markt kompatibel: für die vollständige Überwachung, implementiert die Einheit Hilfssteuerungen für Scheibenwischer, Pumpe, Licht und Heizung.

Falls VMS diese Funktionen nicht unterstützt, ist ULISSE RADICAL mit dem PTZ-Assistent ausgerüstet: diese Anwendung ergänzt die Arbeitsfläche und ermöglicht die grenzenlose Benutzung der Schwenkfunktionen.

Die außergewöhnliche Bewegungsfähigkeit ist von den leistungsfähigen Motoren auch bei einer minimalen Geschwindigkeit von 0.02°/sec. garantiert.

Durch die leistungsstarke LED-Beleuchtung, die Abstände bis 200m erreicht, bleiben die Leistungen optimal auch bei vollständiger Dunkelheit.

ULISSE RADICAL hat eine Herstellergarantie von 3 Jahren ohne Beschränkungen, inklusiv Videokamera und Motoren.

ULISSE RADICAL mit 33x-Zoomfunktion bietet ein thermisches Ausgleichsystem und einen Visible Cut Filter.

Dank ihrer Präzision, Zuverlässigkeit und Robustheit, ist diese PTZ-Kamera die ideale Lösung für die Videoüberwachung von weiten Außenbereichen, darunter: Überwachung von Grenzen, Hafen, Bereichen mit weiter Entfernung, Verkehr und Autobahnen, militärischen Arealen.....

4.2 Kennzeichnung des Produkts



Auf den Schwenk-Neige-Köpfen befindet sich ein Schildchen, das der CE-Kennzeichnung entspricht.

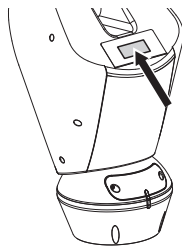


Abb. 1

Das Schildchen nennt:

- Identifizierungscode des Modells (Strichcode Extended 3/9).
- Versorgungsspannung (Volt).
- Frequenz (Hertz).
- Stromaufnahme (Ampere).
- Schutzart (IP).
- Seriennummer.

4.2.1 Prüfung der Kennzeichnung

Vor Beginn der Installationsarbeiten ist zu kontrollieren, ob das gelieferte Material den jeweiligen Anforderungen entspricht. Zu erkennen ist dies anhand der Kennzeichnungsschilder.

Unter keinen Umständen dürfen Veränderungen oder Anschlüsse vorgenommen werden, die in diesem Handbuch nicht genannt sind. Der Gebrauch ungeeigneten Geräts kann die Sicherheit des Personals und der Anlage schwer gefährden.

5 Versionen

5.1 LED Scheinwerfer

 Die Version mit LED- Scheinwerfern kann nur mit einer Spannung von 24Vac betrieben werden.

Der S-N-Kopf kann mit einer Halterung für 2 VIDEOTEC LED- Scheinwerfer für die Nachtüberwachung (Scheinwerfer nicht eingeschlossen).

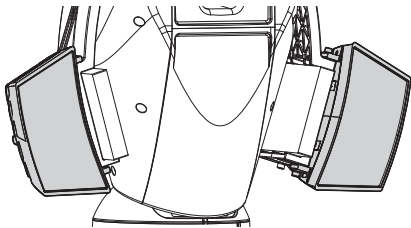




Abb. 2


 Für weitere Infos bitte entsprechendes Kapitel beachten (7.8 Montage der Scheinwerfer mit LED, Seite 20).

6 Vorbereitung des Produktes auf den Gebrauch

 Jede vom Hersteller nicht ausdrücklich genehmigte Veränderung führt zum Verfall der Gewährleistungsrechte.

 Die Einheit darf nicht auseinanderggebaut werden, und es dürfen keine Veränderungen daran vorgenommen werden. Ausnahmen sind nur die Montage- und Wartungsarbeiten, die laut dieser Anleitung vorgesehen sind.

6.1 Sicherheitsvorkehrungen vor dem Gebrauch

 Das Gerät umfasst bewegliche Teile. Stellen Sie sicher, dass die Einheit an einer Stelle positioniert wird, die unter normalen Betriebsbedingungen nicht zugänglich ist. Bringen Sie das im Lieferumfang des Gerätes enthaltene Schildchen in der Nähe des Objektes an gut sichtbarer Stelle an.



ATTENZIONE
PARTI MOBILI PERICOLOSE - NON AVVICINARE DITA E ALTRE PARTI DEL CORPO
WARNING
HAZARDOUS MOVING PARTS -KEEP FINGERS AND OTHER BODY PARTS AWAY
ATTENTION
PARTIES MOBILES DANGEREUS - NE PAS APPROCHER LES DOIGTS OU D'AUTRES PARTIES DU CORPS
ACHTUNG
GEFÄHRLICHE LOSTEILE - FINGER UND ANDERE KÖRPERTEILE FERNHALTEN

Abb. 3

6.2 Entfernen der Verpackung

Bei der Lieferung des Produktes ist zu prüfen, ob die Verpackung intakt ist oder offensichtliche Anzeichen von Stürzen oder Abrieb aufweist.

Bei offensichtlichen Schadensspuren an der Verpackung muss umgehend der Lieferant verständigt werden.

Bewahren Sie die Verpackung auf für den Fall, dass das Produkt zur Reparatur eingeschendet werden muss.

i Die Haube der Vorrichtung Einrichtung vorsichtig auspacken, damit das Gehäuse keinen Schaden nimmt.

6.2.1 Entfernung der Schutzverpackung

Vor der Geräteinstallation, soll die Schutzverpackung entfernt werden.

6.2.1.1 Öffnung des Schutzgehäuse

Die Lecksicheren Schrauben an den Seiten lösen, den oberen Teil des Gehäuses anheben.

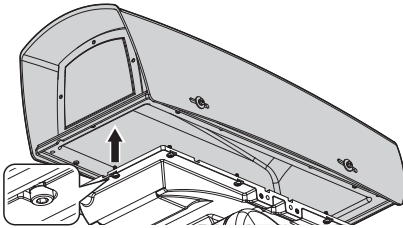


Abb. 4

i Die beiden zentralen Schrauben als erstes festziehen wie in der Abbildung dargestellt.

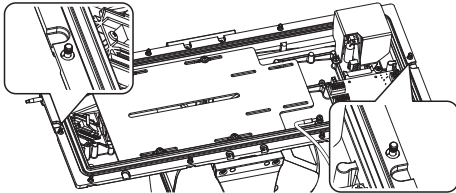


Abb. 5

i Nach Beendigung der Installation und der Verkabelung das Produkt wieder schließen.

6.2.1.2 Herausziehen der Schutzverpackung

Nach Öffnen des Gehäuses, die Schutzverpackung herausziehen.

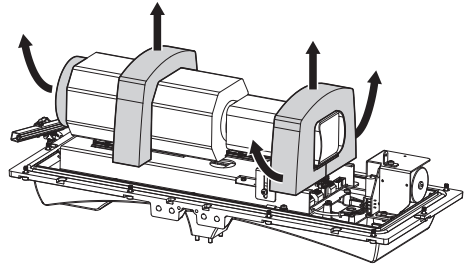


Abb. 6

6.3 Inhalt

Prüfen Sie, ob der Inhalt mit der nachstehenden Materialliste übereinstimmt:

- Positionierungseinheit
- Basis für Netzstromversorgung
- Zubehör Packung:
 - Serieller Adapter
 - Seriell Verlängerungskabel
 - Innensechskantschlüssel
 - Abstandsstücke
 - Schildchen
 - Kabelbinder
 - Ferrit
 - Silikonummantelung
 - Reduzierdichtungen für Kabelverschraubungen
 - Bedienungsanleitung
 - Befestigungsplatte für Beutelchen
 - Schrauben
- Gegengewichte Packung:
 - Gegengewichte
 - Halterungen für Gegengewichte
- Sonnenschutzdach

6.4 Sichere Entsorgung der Verpackungsmaterialien

Die Verpackungsmaterialien sind vollständig wiederverwertbar. Es ist Sache des Installationstechnikers, sie getrennt, auf jeden Fall aber nach den geltenden Vorschriften des Anwendungslandes zu entsorgen.

Im Falle der Rückgabe des nicht korrekt funktionierenden Produktes empfiehlt sich die Verwendung der Originalverpackung für den Transport.

6.5 Auf die Installation vorbereitende Tätigkeiten

6.5.1 Befestigung der Halterung



Im Falle von Installationen, die Vibrationen ausgesetzt sind, nur die Brüstungshalterung verwenden.

Verschiedene Halterungen sind (10 Zubehör, Seite 34). Das geeignetste für die Installation auswählen und alle Angaben aus diesem Kapitel befolgen.



Besondere Aufmerksamkeit verlangen die Befestigungssysteme des Gerätes. Das Befestigungssystem muss in jedem Fall in der Lage sein, mindestens das 4 fache Gewicht der gesamten Apparatur mitsamt S-N-Kopf, Linsen und Kamera zu tragen.



Die Einrichtung muss in senkrechter Lage montiert werden. Jede andere Stellung könnte die Leistungen des Gerätes beeinträchtigen.



Den Schwenk-Neige-Kopf nicht umgekehrt montieren.

6.5.2 Kabelführung



Die Verbindungskabel dürfen von außen nicht zugänglich sein. Die Kabel müssen gegen Lösen durch Abziehen sachgerecht am Träger fixiert werden, damit es verhindert wird, dass es durch das hohe Gewicht unbeabsichtigt abgezogen wird.



Die verwendeten Kabel müssen der Anlagenart angemessen sein.

Die Kabel so in die Halterung einführen, dass sie ungefähr 50cm hervorschauen.

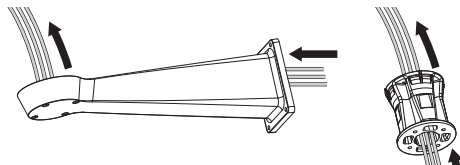


Abb. 7

7 Installation

! Unter keinen Umständen dürfen **Veränderungen oder Anschlüsse vorgenommen werden, die in diesem Handbuch nicht genannt sind. Die Missachtung der Angaben, die das Handbuch zu den Anschlüssen macht, kann die Sicherheit von Personen und die Sicherheit der Anlage stark gefährden.**

! Die **Vorverkabelungen des Produktes dürfen nicht verändert werden. Die Missachtung dieses Verbotes kann die Sicherheit des Personals und der Anlage stark gefährden und führt sie zum Verlust der Gewährleistungsrechte.**

i Falls das **Scheibenreinigungsset** verwendet wird, muss die Halterung für die Düse vor der Positionierung des Schwenk-Neige-Kopfes und der Kabel installiert werden. Weitere Informationen können dem Handbuch des Bausatzes entnommen werden.

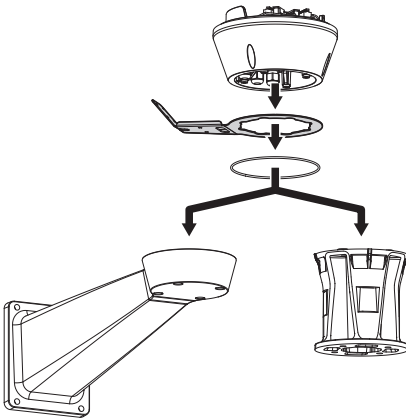


Abb. 8

i Im Innern der unteren Haube befindet sich ein Beutelchen, das der Bildung von Feuchtigkeit in der Basis und an den Anschlussplatinen entgegenwirkt. Den Beutel vor der Installation entfernen.

7.1 Anschließen der Kabel an die Basis

Die Kabel in den Kabelschellen einführen, während die Basis etwa 20cm von der Halterung entfernt gehalten wird. Die Kabelverschraubungen festziehen. Alle Kabelverschraubungen sind für Kabel mit einem Durchmesser von 5mm bis 10mm geeignet.

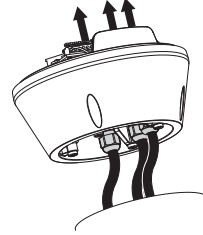


Abb. 9

! Auf die Befestigung achten. Anzugsdrehmoment: 5Nm.

i Für Kabel mit Durchmesser von 3mm bis 7mm die im Lieferumfang enthaltenen Gummidichtungen benutzen.

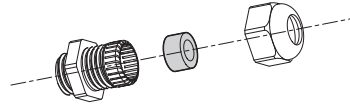


Abb. 10

7.2 Befestigung der Basis an der Halterung



Verwenden Sie die mit der Basis gelieferten Schrauben und Unterlegscheiben.

Nach der Positionierung der Dichtung (01), die Basis (02) mit den Schrauben (04), den Zahnscheiben (05) und den Ringen für Schrauben (06) an der Halterung (03) befestigen.

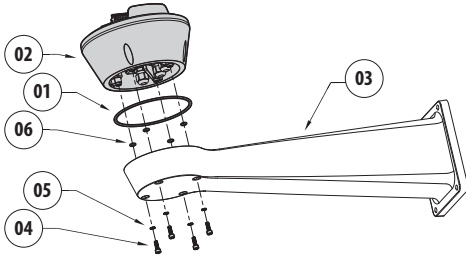


Abb. 11

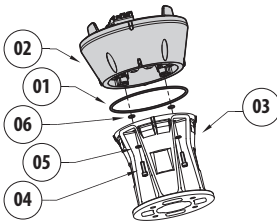


Abb. 12

Die 3 Markierungen auf der Basis an den Markierungen auf den Halterungen ausrichten, wie in der folgenden Abbildung dargestellt.

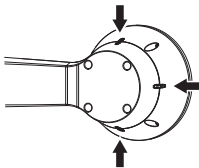


Abb. 13



Auf das Loch der Schrauben ein Gewindegewissungsmittel auftragen (Loctite 243®).



Auf die Befestigung achten. Anzugsdrehmoment: 6Nm.

7.3 Beschreibung der Karte Anschlüsse

BESCHREIBUNG DER KARTE ANSCHLÜSSE

Verbinder/ Komponente	Funktion
CN1	Platinenversorgung
CN4	Signalkabel
Ethernet	Ethernet
F1	Sicherung
F2	Sicherung

Tab. 1

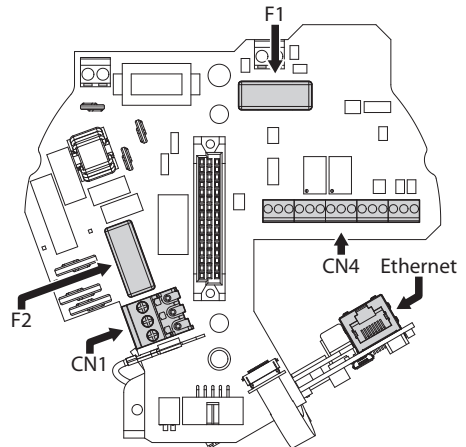


Abb. 14

7.4 Anschluss der Stromversorgung

Je nach Version kann die Vorrichtung mit unterschiedlichen Versorgungsspannungen geliefert werden. Der Wert ist auf dem Kennzeichnungsschild des Produktes angegeben (4.2 Kennzeichnung des Produkts, Seite 10).



Die elektrischen Anschlüsse nur durchführen, wenn die Stromversorgung abgetrennt und die Trennvorrichtung offen ist.



Im Zuge der Installation ist zu prüfen, ob die Merkmale der von der Anlage bereitgestellten Versorgung mit den erforderlichen Merkmalen der Einrichtung übereinstimmen.



Es ist zu prüfen, ob die Versorgungsquellen und die Anschlusskabel für den Systemverbrauch ausgelegt sind.



Das Erdungskabel muss um etwa 10mm länger sein, als die anderen beiden Kabel, um das ungewollte Lösen durch Ziehen des Kabels zu verhindern.



Ferner muss das Versorgungskabel von einer Silikonummantelung (01) überzogen sein, die im Lieferumfang enthalten ist. Die Silikonummantelung soll mit dem zugehörigen Binder fixiert werden (02).

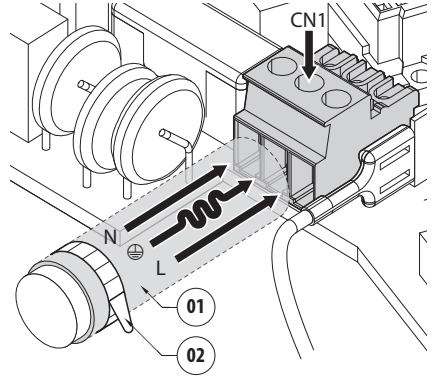


Abb. 15

7.4.1 Anschluss der Stromversorgungsleitung 24Vac

Die Kabel zuschneiden und die unten beschriebenen Anschlüsse vornehmen. Die Versorgungsleitung am Klemmen anschließen: CN1.

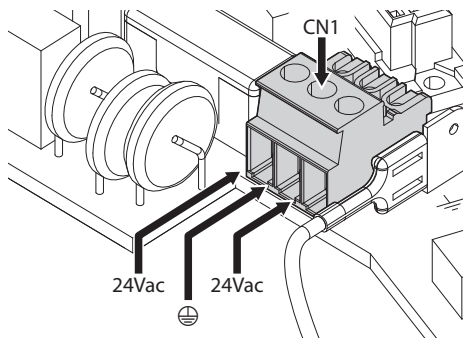



Abb. 16

Die Versorgungskabel sind nach der folgenden Tabelle anzuschließen.

ANSCHLUSS DER STROMVERSORGUNG	
Farbe	Klemmen
Stromversorgung 24Vac	
Vom Installateur festgelegt.	24Vac
Vom Installateur festgelegt.	24Vac
Gelb/Grün	GND/ 

Tab. 2

7.4.2 Anschluss der Versorgungsleitung in 120Vac und 230Vac

Die Kabel zuschneiden und die unten beschriebenen Anschlüsse vornehmen. Die Versorgungsleitung am Klemmen anschließen: CN1.

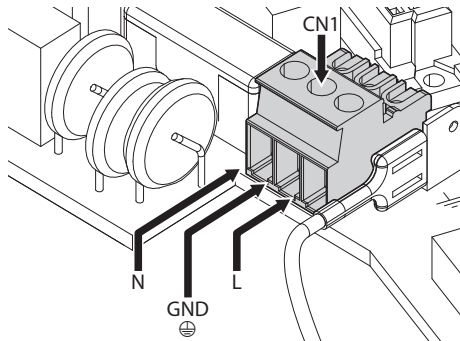




Abb. 17

Die Versorgungskabel sind nach der folgenden Tabelle anzuschließen.

ANSCHLUSS DER STROMVERSORGUNG	
Farbe	Klemmen
Netzteil 230Vac	
Blau	N (Nullleiter)
Braun	L (Phase)
Gelb/Grün	GND/ 
Netzteil 120Vac	
Blau	N (Nullleiter)
Braun	L (Phase)
Gelb/Grün	GND/ 

Tab. 3

7.4.3 Anschluss der Alarmeingänge, der Dämmerungsschalter und der Relais



ACHTUNG! Die Anlage gehört zum Typ TNV-1. Nicht an Kreisläufe SELV anschließen.



ACHTUNG! Zur Senkung der Brandgefahr dürfen nur Kabel benutzt werden, die mindestens dem Schnitt 0.13mm² entsprechen (AWG 26).

Standardmodell

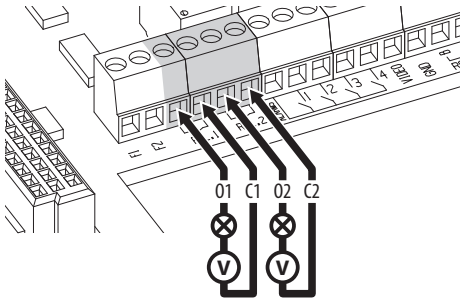


Abb. 18 Anschluss der Relaiskontakte.

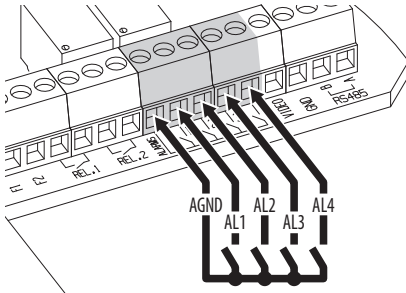


Abb. 19 Anschluss der Alarme.

Version mit LED- Scheinwerfern

ANSCHLUSS DER ALARMEINGÄNGE, DER DÄMMERUNGSSCHALTER UND DER RELAIS

AL1, AL2, AL3, AL4 e AGND	Sich selbstversorgende Alarmeingänge, bezogen auf gemeinsame Klemme AGND.
O1-C1 e O2-C2	Potentialfreie Ausgangskontakte, die durch Alarm oder Benutzerbefehl ansprechbar sind

Tab. 4

7.5 Anschluss der Ethernet-Netz-Kabel

Das Ethernetkabel am Verbinder anschließen (7.3 Beschreibung der Karte Anschlüsse, Seite 15).

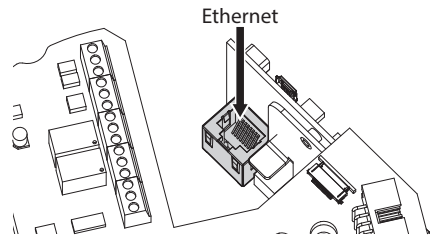


Abb. 20

7.6 Befestigung des oberen Körpers

Den oberen Körper (01) mit den Spannschrauben (03) und Dichtungen (04) an der Basis (02) befestigen. Prüfen Sie, ob die Dichtung (05) der Basis vorhanden und in einwandfreiem Zustand ist.

**⚠ Auf die Befestigung achten.
Anzugsdrehmoment: 4Nm.**

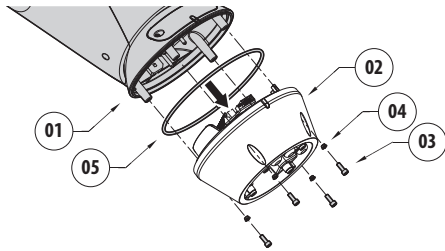


Abb. 21

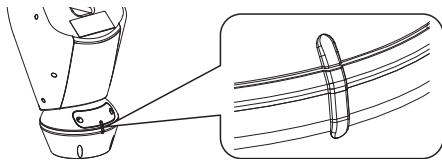


Abb. 22

i Es gibt nur eine Verankerungsposition zwischen der Basis und dem oberen Körper. Die Seitenvorsprünge für eine korrekte Positionierung ausrichten.

7.7 Aufbau der Gegengewichte

Die Gegengewichte mit den Schrauben und den Unterlegscheiben aus dem Lieferumfang am Gehäuse befestigen.

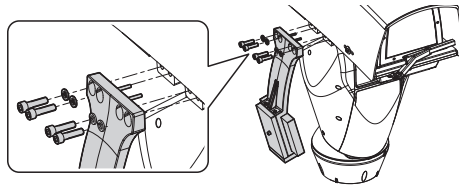


Abb. 23

⚠ Auf das Loch der Schrauben ein Gewindesicherungsmittel auftragen (Loctite 243®).

**⚠ Auf die Befestigung achten.
Anzugsdrehmoment: 16Nm.**

7.8 Montage der Scheinwerfer mit LED



Aus funktionstechnischen Gründen müssen stets beide Scheinwerfer zusammen montiert werden.



Am Schwenk-Neige-Kopf dürfen nur Scheinwerfer von VIDEOTEC installiert werden.

7.8.1 Entfernen der Gegengewichte.

Die Schrauben lösen und die externen Gegengewichte entfernen.

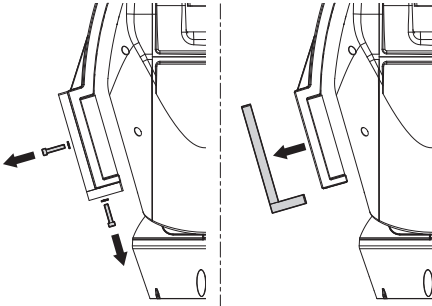


Abb. 24

7.8.2 Montage des Scheinwerfers auf den Bügel

Die vorderen Bohrungen am Bügel des Gegengewichtes bestimmen.

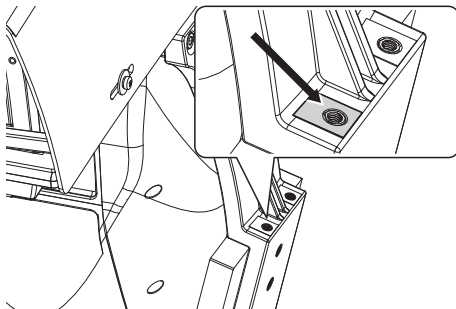


Abb. 25

Befestigungen des Scheinwerfers (01) an denen des Bügels (02) anbringen.

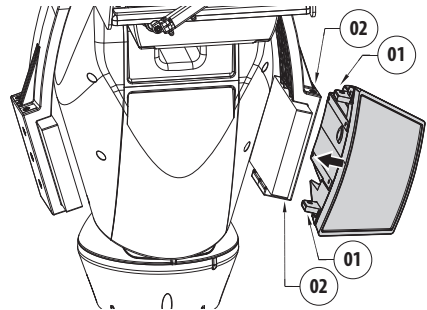


Abb. 26

Die zuvor demontierten Schrauben mit den Unterlegescheiben wieder festziehen.

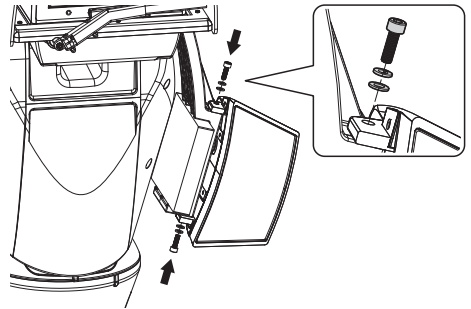


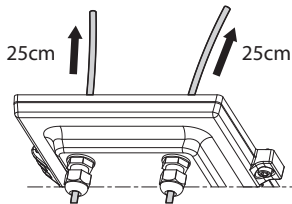
Abb. 27



**Auf die Befestigung achten.
Anzugsdrehmoment: 6Nm.**

7.9 Anschluss der LED-Scheinwerfer

Die Versorgungskabel um mindestens 25 cm durch die Kabelschellen stecken.



! Damit die Sicherheit und die gute Funktion der Einheit nicht beeinträchtigt wird, keinen Kabelüberschuss lassen.

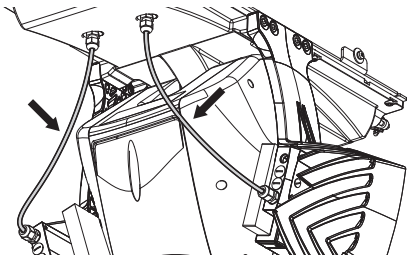


Abb. 28

Die Kabel so anschließen, wie in der Abbildung gezeigt.

Die linke Beleuchtung (MASTER) soll mit dem J15-Stecker verbunden sein. Die rechte Beleuchtung (SLAVE) soll mit dem J9-Stecker verbunden sein.

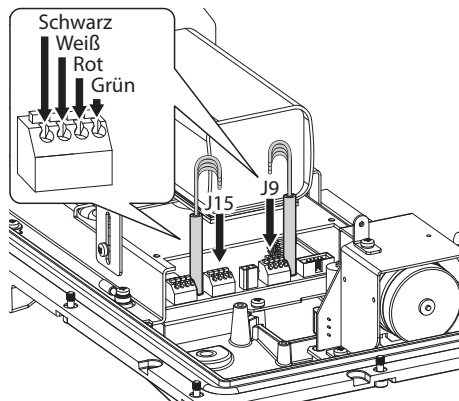


Abb. 29

7.10 Einstellung der LED-Scheinwerfer und Vorgehensweise zur Gleichschaltung mit der Kamera

! Nach der Regelung synchronisiert und steuert der linke Scheinwerfer (MASTER) den rechten Scheinwerfer (SLAVE).

Der Dämmerungsschalter ermittelt das Licht in der Umgebung und kontrolliert das Ein- und Ausschalten der Scheinwerfer, wenn die Helligkeit das vom Benutzer eingestellte Niveau erreicht hat.

Wenn die LED-Scheinwerfer aktiviert sind, geht die Videokamera mit der entsprechenden Steuerung ONVIF in Nacht-Modus über.

7.10.1 Beschreibung des LED-Scheinwerfers

! Um die Sicherheit und die Funktion des Beleuchters nicht zu beeinträchtigen, soll der durchsichtige Schrauben des Dämmerungssensors nicht entfernt werden.

- **Dämmerungssensor:** Erfasst den Helligkeitsgrad.
- **Kabel:** Versorgung und Steuerung.
- **Regler der Einschaltung-Grenze:** Das Potenziometer regelt den Empfindlichkeitsgrad für die Einschaltung des Scheinwerfers.
- **Regler der Infrarot-Stärke:** Das Potenziometer regelt die Leistung des Scheinwerfers.

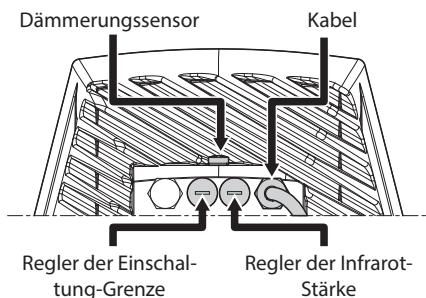


Abb. 30

7.10.2 Synchronisierung mit einem externen Dämmerungsschalter

Die Scheinwerfer und die Kamera werden folgendermaßen mit einem externen Dämmerungsschalter synchronisiert:

- Anschluss des Dämmerungsschalters an die Klemmen: AL1/AGND (7.4.3 Anschluss der Alarmeingänge, der Dämmerungsschalter und der Relais, Seite 18).
- Den linken Scheinwerfer einstellen. (MASTER):
 - **Einschaltschwelle:** Den Wert auf OFF stellen. (7.10.5 Einstellung der Einschaltsschwelle der LED-Scheinwerfer., Seite 23).
 - **Infrarotleistung:** Wert entsprechend dem Bedarf einstellen (7.10.6 Einstellung der Leistung der LED-Scheinwerfer., Seite 23).
- Regelung des rechten Scheinwerfers (SLAVE):
 - **Einschaltschwelle:** Wert auf Maximum einstellen (7.10.5 Einstellung der Einschaltsschwelle der LED-Scheinwerfer., Seite 23).
 - **Infrarotleistung:** Wert auf Minimum einstellen (7.10.6 Einstellung der Leistung der LED-Scheinwerfer., Seite 23).

Über den Menüpunkt Sonde IR die Option Extern auswählen (9.1.12 Kamera-Parameter, Seite 32).

In der digitale I/O-Karte die Werte auf folgende Weise einstellen: (9.1.10 Digitale I/O, Seite 31):

- **ID Alarm:** 1
- **Art:** NORMALERWEISE GEÖFFNET
- **Aktion:** IR_FILTER

7.10.3 Die Einheit mit den LED-Scheinwerfern synchronisieren

Die Einheit wird wie folgt mit den LED-Scheinwerfern synchronisiert:

- Den linken Scheinwerfer einstellen. (MASTER):
 - **Einschaltschwelle:** Wert entsprechend dem Bedarf einstellen (7.10.5 Einstellung der Einschaltsschwelle der LED-Scheinwerfer., Seite 23).
 - **Infrarotleistung:** Wert entsprechend dem Bedarf einstellen (7.10.6 Einstellung der Leistung der LED-Scheinwerfer., Seite 23).

- Regelung des rechten Scheinwerfers (SLAVE):
 - **Einschaltschwelle:** Wert auf Maximum einstellen (7.10.5 Einstellung der Einschaltsschwelle der LED-Scheinwerfer., Seite 23).
 - **Infrarotleistung:** Wert auf Minimum einstellen (7.10.6 Einstellung der Leistung der LED-Scheinwerfer., Seite 23).

Über den Menüpunkt Parameter Kamera die Option Intern auswählen (9.1.12 Kamera-Parameter, Seite 32).

7.10.4 Manuelle Aktivierung der LED-Scheinwerfer

Für die Aktivierung des LED-Scheinwerfers ist Folgendes notwendig:

- Den linken Scheinwerfer einstellen. (MASTER):
 - **Einschaltschwelle:** Den Wert auf OFF stellen. (7.10.5 Einstellung der Einschaltsschwelle der LED-Scheinwerfer., Seite 23).
 - **Infrarotleistung:** Wert entsprechend dem Bedarf einstellen (7.10.6 Einstellung der Leistung der LED-Scheinwerfer., Seite 23).
- Regelung des rechten Scheinwerfers (SLAVE):
 - **Einschaltschwelle:** Wert auf Maximum einstellen (7.10.5 Einstellung der Einschaltsschwelle der LED-Scheinwerfer., Seite 23).
 - **Infrarotleistung:** Wert auf Minimum einstellen (7.10.6 Einstellung der Leistung der LED-Scheinwerfer., Seite 23).

7.10.5 Einstellung der Einschaltsschwelle der LED-Scheinwerfer.

! Der rechte Scheinwerfer muss immer auf die maximale Helligkeit eingestellt sein.

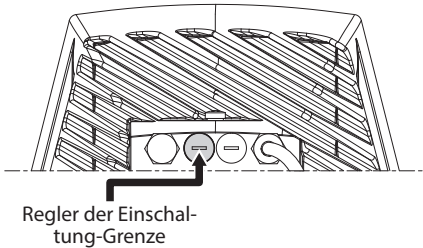


Abb. 31

Der Scheinwerfer besitzt einen integrierten Dämmerungssensor, der eine automatische Ein- und Ausschaltung unter vorher festgelegten Lichtverhältnissen ermöglicht.

Der Dämmerungssensor wird werkseitig auf eine festgelegte Lichtstärke eingestellt, welche für den Großteil der Installationen geeignet ist (etwa 50lx). Zum Ändern der Einsatzgrenze den an der Rückseite des Scheinwerfers angebrachte Deckel entfernen und die Einstellung vornehmen mittels Schraubenzieher.

Durch Drehen des Trimmers im Uhrzeigersinn im Nachtmodus, wird die Umschaltung vorgezogen (auf einen höheren Helligkeitswert). Durch Drehen des Trimmers gegen den Uhrzeigersinn wird die Umschaltung im Nachtmodus verzögert (auf einen niedrigeren Helligkeitswert).

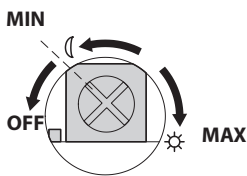


Abb. 32

Die geeigneten Lichtverhältnisse für das Einschalten des Scheinwerfers abwarten. Den Trimmer langsam drehen, bis sich die LED an der Trimmerseite einschaltet. Nachdem die Eingriffsschwelle überschritten wurde (LED eingeschaltet), etwas in die entgegengesetzte Richtung drehen.

! Nach den Einstellungen prüfen, dass der Verschlussdeckel angemessen angezogen ist, um die hermetische Dichtheit des Produkts zu garantieren.

7.10.6 Einstellung der Leistung der LED-Scheinwerfer.

! Der rechte Scheinwerfer muss immer auf die minimale Leistung eingestellt sein.

i Der Scheinwerfer wird im Werk zur Erbringung maximaler Leistung eingestellt. Falls es nicht nötig sein sollte, entfernte Objekte zu beleuchten oder wenn das Bild wegen zu hoher Lichtintensität zu stark angestrahlt ist, die Leistung regulieren, sie zu verringern und Energie zu sparen.

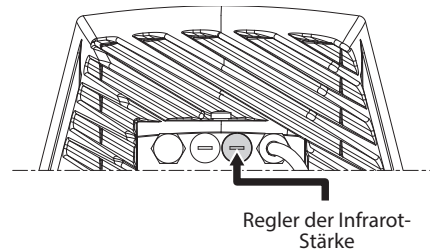


Abb. 33

Die hermetische Verschlusskappe abdrehen. Den Trimmer in Uhrzeigersinn drehen, um die Leistung der Infrarot-Scheinwerfer zu erhöhen in in Gegenuhrzeigersinn, um die Leistung zu senken.

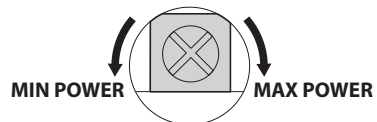


Abb. 34

! Nach den Einstellungen prüfen, dass der Verschlussdeckel angemessen angezogen ist, um die hermetische Dichtheit des Produkts zu garantieren.

7.11 Befestigung des Wischerblattes

Das Wischerblatt auf die Welle des Scheibenwischers setzen.

Das Wischerblatt in Ruhestellung bringen.

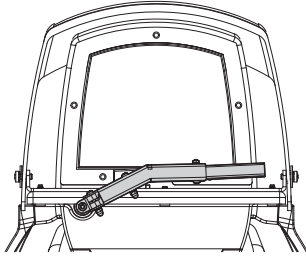


Abb. 35

Alles zusammen mit der Unterlegscheibe und der Mutter befestigen.

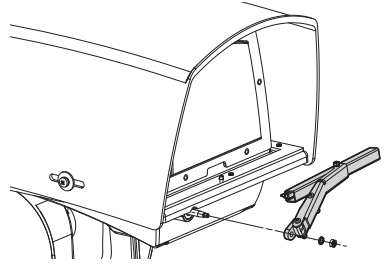


Abb. 36



Das Wischerblatt ist dann richtig eingestellt, wenn das Blatt in die Ruhestellung zurückkehren kann und dabei an der Korpusplatte anschlägt.

8 Einschaltung



Sicherstellen, dass die Einheit und die anderen Bauteile der Anlage korrekt geschlossen sind, um den Kontakt mit unter Spannung stehenden Bauteilen zu verhindern.



Im normalen Betrieb kann der Scheinwerfer an der Oberfläche Hohe Temperaturen erreichen. Vermeiden Sie die direkte Berührung und positionieren Sie das Gerät an einem Ort, der für Unbefugte unzugänglich ist. Bevor man sie berührt, muss deshalb die Ausleuchtungseinrichtung abgeschaltet werden und mindestens 10 Minuten lang abkühlen.



Nicht die Nähe der Einrichtung aufsuchen, wenn sie mit Strom gespeist ist. Nur bei abgeschalteter Stromversorgung auf die Vorrichtung einwirken.



Vergewissern Sie sich, dass alle Teile solide und zuverlässig befestigt sind.



Der automatische Vorheizvorgang (De-Ice) könnte immer dann aktiviert werden, wenn das Gerät bei einer Umgebungstemperatur von unter 0°C in Betrieb genommen wird. Dieser Vorgang dient dazu, auch bei niedrigen Temperaturen den einwandfreien Betrieb der Einrichtungen sicherzustellen. Die Dauer liegt je nach Bedingungen zwischen 60 und 105 Minuten.

Für das Einschalten der Einheit die elektrische Versorgung anzulegen.

Die elektrische Versorgung abtrennen, um die Einheit abzuschalten.

9 Konfiguration

9.1 Web-Schnittstelle

i Beim ersten Anschluss eine Adresse zuweisen, die nicht 192.168.0.100 ist.

i Unterstützte Browser: Microsoft Internet Explorer, Google Chrome, Mozilla Firefox.

i Die MAC Address wird auf dem Etikett an der CPU-Karte angegeben.

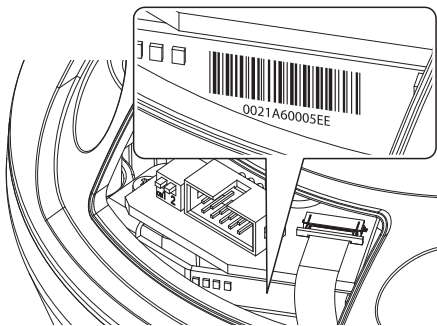


Abb. 37

Der erste Schritt zur Konfiguration des S-N-Kopfes ist die Verbindung mit seiner Web-Schnittstelle.

In den Voreinstellungen ist der S-N-Kopf so konfiguriert, dass automatisch eine Adresse mit dem DHCP-Protokoll festgelegt wird und das Gerät mithilfe des Protokolls ONVIF, S-Profil, erkannt werden kann.

Sollte kein DHCP Server verfügbar sein, wird der S-N-Kopf automatisch mit der Adresse 192.168.0.100 sich konfigurieren.

Sollte kein VMS mit diesen Auto Discovery Funktionen durch ONVIF verfügbar sein, kann die erworbene Adresse in den Logs des DHCP-Servers gelesen werden.

Die Web-Schnittstelle des S-N-Kopfes kann man zugreifen, indem man mit einem Browser die Adresse http://IP_Adresse aufruft und sich mit folgenden voreingestellten Zugangsdaten einloggt:

- **Username:** admin
- **Kennwort:** admin

9.1.1 Home

Wenn die Anmeldung erfolgreich war, öffnet sich die Schnittstelle zur Steuerung des Schwenk-Neige-Kopfes.



Abb. 38

9.1.2 Benutzersteuerung

Um den Schwenk-Neige-Kopf via Browser zu steuern, wählen Sie den Eintrag Benutzersteuerung. Es öffnet sich ein neues Fenster mit einer virtuellen Tastatur zum Absenden von Befehlen.

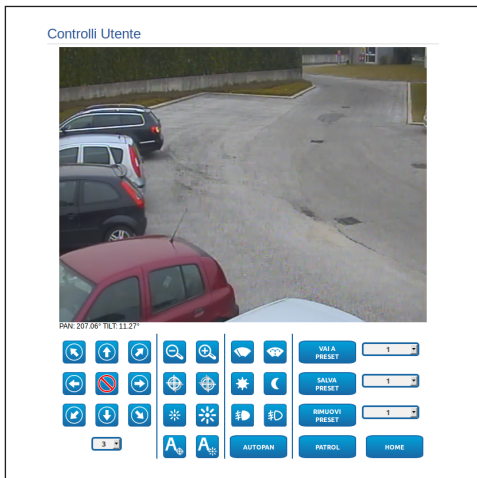


Abb. 39

Auf der virtuellen Tastatur befinden sich die folgenden Steuerungen:

- **Wahlschalter Geschwindigkeit:** Ermöglicht die Auswahl der Geschwindigkeit der Bewegungen des Schenk-Neigekopfes.



Abb. 40

- **Zoom wide/Zoom tele**



Abb. 41

- **Focus far/Focus near/Auto focus**



Abb. 42

- **Iris close/Iris open/Auto iris**



Abb. 43

- **Wiper/Washer**



Abb. 44

- **Day:** Aktivierung Filter IR der Kamera. Falls vorhanden, werden die LED- Scheinwerfer ausgeschaltet.



Abb. 45

- **Night:** Deaktivierung des Filters IR der Kamera. Falls vorhanden, werden die LED-Scheinwerfer eingeschaltet.



Abb. 46

- **Visible Cut Filter On:** Aktiviert den Visible Cut Filter (bei den Versionen, die damit ausgestattet sind). Dieser Filter ermöglicht klare Bilder (schwarz weiß) mit leichtem Nebel oder bei Gegenlicht-Bildausschnitten.



Abb. 47

- **Visible Cut Filter Off:** Deaktiviert den Visible Cut Filter (bei den Versionen, die damit ausgestattet sind).



Abb. 48

9.1.3 Geräteparameter

Im Menü-Eintrag Geräteparameter können der Name des Schwenk-Neige-Kopfes eingestellt und andere Zusatzinformationen angezeigt werden.

Geräteparameter	
GeräteName	UlisseNet.cam
Produktcode	UPT2SVJANODE
Seriennummer	113121290001
MAC-Adresse	00:21:A6:00:07:D8
Produkt-ID	2
Firmware-Version: CPU Board	2.0
Firmware-Version: NET Board	6.0.0
Firmware-Version: MPP Board	6.0.0
Hardware-Revision	0
Major Revision	0
Minor Revision	0
Geräteart	0

Abb. 49

9.1.4 Gerätestatistiken

Im Menü-Eintrag Gerätestatistiken können alle während des Betriebs des Schwenk-Neige-Kopfes gesammelten Statistiken eingesehen aber nicht geändert werden.

Statistiche Dispositivo	
Grati Pan	3364
Grati TR	1442
Accessioni	133
Ore di lavoro	26
Temperatura massima custodia (°C)	40
Temperatura minima custodia (°C)	65454
Temperatura massima scheda PAN (°C)	50
Temperatura minima scheda PAN (°C)	22
Temperatura massima scheda CPU (°C)	43
Temperatura minima scheda CPU (°C)	20
Temperatura massima scheda NET (°C)	39
Temperatura minima scheda NET (°C)	19
Periodo accensione fan IR	0

Abb. 50

9.1.5 Netzwerk-Konfiguration

Im Menü-Eintrag Netzwerk-Konfiguration kann die Netzwerk-Einstellung des Schwenk-Neige-Kopfes geändert werden. Es kann eingestellt werden, ob das Gerät eine statisch oder dynamisch mit DHCP zugewiesene oder eine selbstgenerierte Adresse haben muss. Das Gerät unterstützt das Internet Protocol (IP) in Version 4.

i Bei selbstgenerierter Adresse wird sich das Gerät eine Adresse im Range 169.254.0.0/16 selbst geben.

Auf derselben Seite können außerdem 2 DNS konfiguriert und eingestellt werden, welche Mechanismen aktiv sein müssen, um die Geräte im lokalen Netzwerk automatisch zu identifizieren.

Netzwerk-Konfiguration	
IP-Version	IPv4
Adressstyp	STATISCH
IP-Adresse (IPv4)	192.168.103.121
Subnet Mask (IPv4)	255.255.255.0
Gateway (IPv4)	192.168.103.1
Automatische DNS-Suche	DEAKTIVIERT
Primärer DNS-Server	8.8.4.4
Alternativer DNS-Server	8.8.8.8
Date & Time	2013-05-27 14:42:37 UTC
NTP-Server	DEAKTIVIERT
PC Sync	AKTIV
UPNP	AKTIV
Zeroconf	AKTIV
Multicast Discovery	AKTIV
WS Discovery	AKTIV

Abb. 51

Außerdem kann angegeben werden, ob das Gerät sich mit einem externen NTP (Network Time Protocol) Server synchronisieren muss.

- **NTP -> DEAKTIVIERT:** Stellen Sie diese Option ein, wenn Datum und Uhrzeit des Geräts nicht synchronisiert werden sollen.
- **NTP -> DHCP:** Stellen Sie diese Option ein, wenn Datum und Uhrzeit des Geräts mit einem durch den DHCP-Server angegebenen NTP-Server (Network Time Protocol) synchronisiert werden sollen.
- **NTP -> STATISCH:** Stellen Sie diese Option ein, wenn Datum und Uhrzeit des Geräts mit einem durch statische Adresse angegebenen NTP-Server synchronisiert werden sollen.

i Für einen korrekten Betrieb des Gerätes muss die Schwenkung mit der Software VMS mithilfe eines Servers NTP synchronisiert werden.

9.1.6 Benutzer-Konfiguration

Im Menü-Eintrag Benutzer-Konfiguration können die Benutzer verwaltet werden, die Zugriff auf den Schwenk-Neige-Kopf haben. Die Benutzer Typ Administrator können auf die Produktkonfiguration zugreifen. Die Benutzer Typ Operator, User und Anonymous haben begrenzten Zugriff auf die Verwaltungsseiten.



Abb. 52

i Das Gerät kann nur von Anwendern mit Administratorrechten konfiguriert werden.

9.1.7 Bewegungsparameter

Im Menü-Eintrag Bewegungsparameter können via Internet alle Parameter des Schwenk-Neige-Kopfes kontrolliert werden.

- **Offset Pan:** Der Schwenk-Neige-Kopf hat eine Position von 0°, die mechanisch definiert ist. Die Funktion Offset Pan ermöglicht es, auf Softwareebene eine andere Position als 0° festzulegen.
- **Höchstgeschwindigkeit:** Hier kann die Höchstgeschwindigkeit bei manueller Steuerung vorgegeben werden..
- **Geschwindigkeit Mit Zoom:** Zum Einschalten der Geschwindigkeit mit Zoom. Bei Aktivierung dieses Parameters wird die Geschwindigkeit für Pan und Tilt automatisch in Abhängigkeit vom Zoomfaktor reduziert.
- **Tilt-Faktor:** Reduzierfaktor für die manuelle Geschwindigkeit der Tiltachse.
- **Grenzkpunkte Pan:** Aktiviert die Grenzkpunkte für die Funktion Pan (Kameraschwenk).
- **Beginn Pan:** Vorgabe der Grenzposition zu Beginn des Kameraschwenks (Pan).
- **Ende Pan:** Vorgabe der Grenzposition am Ende des Kameraschwenks (Pan).
- **Beginn Tilt:** Vorgabe der Grenzposition zu Beginn der Kameraneigung (Tilt)
- **Ende Tilt:** Vorgabe der Grenzposition am Ende der Kameraneigung (Tilt).

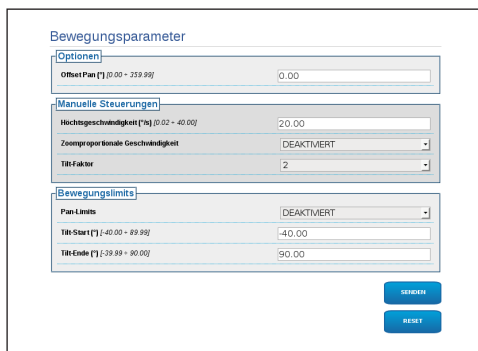


Abb. 53

9.1.7.1 Autopan

Im Unterabschnitt Autopan können die Presets für Beginn und Ende des Autopan angegeben werden.

Abb. 54

9.1.7.2 Patrol

Im Unterabschnitt Patrol können die Presets für Beginn und Ende des Patrol angegeben werden. Außerdem kann angegeben werden, ob die Abtastung der Presets in kausaler Weise oder nicht erfolgen soll.

Abb. 55

9.1.7.3 Bewegungsanforderung

Im Unterabschnitt Aufruf Bewegungen kann eine Inaktivitätsdauer angegeben werden, nach der der Schwenk-Neige-Kopf eine der folgenden Funktionen ausführt: Rückkehr in die Home-Position, Start des Autopan oder Start des Patrol.

Abb. 56

9.1.8 Preset-Parameter

Im Menü-Eintrag Preset-Parameter sind einige Parameter der Presets konfigurierbar:

- **Scan Geschwindigkeit:** Geschwindigkeit in Grad pro Sekunde, mit der ein Preset auf ausdrückliche Aufforderung des Bedieners erreicht wird.
- **Rampentyp:** Erlaubt die Wahl der Beschleunigungen des Schwenk-Neige-Kopfes.
- **Bewegungsgeschwindigkeit (Default):** Die bei den Funktionen Autopan und Patrol benutzten Geschwindigkeiten.
- **Default-Geschwindigkeit vorgeben:** Die Default-Geschwindigkeit wird auch als Abtastgeschwindigkeit für alle Presets eingestellt.
- **Standardpause:** Default-Verweilzeit in jedem Preset in Sekunden.
- **Default-Pause vorgeben:** Die Default-Pause wird für alle Presets eingestellt.

Abb. 57

9.1.9 Preset-Parameter (Erweitert)

Im Abschnitt Preset-Parameter (Erweitert) können die Werte für Geschwindigkeit und Pause für jeden Preset individuell angepasst, sowie die Presets selbst aktiviert/deaktiviert werden.

Abb. 58

9.1.10 Digitale I/O

In der Registerkarte Digitale I/O können die digitalen Kanäle des Schwenk-Neige-Kopfes konfiguriert werden. Es folgt eine kurze Beschreibung der konfigurierbaren Parameter für jeden Digitaleingang.

- **ID Alarm:** Verwendetes Feld für die Auswahl des gewünschten Digitaleingangs
- **Art:** Zeigt den Standard-Status des Digitaleingangs an. Kann auf normalerweise geöffnet oder normalerweise geschlossen eingestellt werden.
- **Aktion:** Jedem Eingang kann eine Aufnahme zugeordnet werden. Die Aufnahme wird in dem Moment aktiviert, in dem der Kontakt in einen anderen als den Standard-Status übergeht. Es folgt eine Liste der verfügbaren Aufnahmen:
 - **NONE:** Keine Aufnahme.
 - **SCAN:** Positionierung des Schwenk-Neige-Kopfes am ausgewählten Preset.
 - **PATROL:** Aktivierung PATROL.
 - **AUTOPAN:** Aktivierung AUTOPAN.
 - **WIPER:** Aktivierung Wiper.
 - **WASHER:** Aktivierung Waschsequenz Glas
 - **RELAIS 1:** Aktivierung Relais 1.
 - **RELAIS 2:** Aktivierung Relais 2.
 - **IR FILT:** Deaktivierung des Filters IR der Kamera. Falls vorhanden, werden die LED-Scheinwerfer eingeschaltet.

Zur Kontrolle des einwandfreien Betriebs der Alarme erscheint auf der Web-Seite ein Punkt, der im Normalzustand grün ist, und rot, wenn ein Alarm erkannt wird. Zur Kontrolle des einwandfreien Betriebs der Alarme erscheint auf der Web-Seite ein Punkt, der im Normalzustand grün ist, und rot, wenn ein Alarm erkannt wird.

Alarm-ID	Typ	Aktion
1	NORMALERWEISE GEÖFFNET	NONE

Abb. 59

9.1.11 Washer

Die Pumpe für die Waschanlage des Schwenk-Neige-Kopfes wird in der Registerkarte Washer konfiguriert, in der mit dem Waschvorgang ein Preset verknüpft, die Dauer des Scheibenwaschvorgangs eingestellt und die Verzögerung für die Aktivierung und Deaktivierung des Scheibenwischers angegeben werden können.

Preset-Dauer (f = 2500)	Verzögerung Scheibenwischer Aktivierung (f = 240)	Verzögerung Scheibenwischer Deaktivierung (f = 240)
1	5	5

Abb. 60

9.1.12 Kamera-Parameter

Die Parameter der IP-Kamera, die beim ersten Start eingestellt wurden, können im Abschnitt Kamera-Parameter geändert werden. Im Abschnitt Kamera-Parameter können außerdem der Zoomfaktor und die Genauigkeit der Zoom-Position angegeben werden. In diesem Abschnitt können auch die Daten der unterschiedlichen von der Kamera exportierten Profile ONVIF visualisiert werden.

Im Menüpunkt Linsen kann eine der folgenden Optionen ausgewählt werden:

- **Motorisiert:** S-N-Kopf gesteuert.
- **Integriert:** Kamera gesteuert.
- **Fest:** Nicht kontrollierbar.

Im Falle von motorisierten Linsen besteht die Möglichkeit den Anschluss (gemeinsamer Leiter oder umgekehrte Polarität) und die Rotation der Polarität von Zoom, Focus und Iris einzuschalten.

Kameraeinstellungen

Protokoll und Authentifizierung

Protokoll	ONVIF PROFILE S
Benutzername	admin
Password	****
Password wieder eingeben	****

Streaming-Profil

Profil-ID	0
Profil	0_PROFILE_WITH_AUDIO
Codec	MPEG4
Auflösung	352 x 240
Framerate Limit	30 fps
Bitrate Limit	512 kbps
GOP	120 Frames
Zoom aktiviert	Ja

Eigenschaften der Linsen

Linsen	MOTORISIERT
Vergrößerungsfaktor (1 - 50)	15
Einstellungsbereich der Linsen (1 - 255)	20
Motortyp	POLARITÄTSUMKEHR
Drehungspolarität des Zoom	POSITIV
Drehungspolarität des Fokuss	NEGATIV
Drehungspolarität des Wis	POSITIV
IR-Sonde	NONE

SENDEN
RESET

Abb. 61

Um die Einstellungen der Videokamera zu verändern, die Taste VTTunnel drücken. (9.1.13 Werkzeuge, Seite 32).

9.1.13 Werkzeuge

Im Menü-Eintrag Werkzeuge können die gesamte Konfiguration des Schwenk-Neige-Kopfes oder nur bestimmte Abschnitte auf die vordefinierten Werte zurückgesetzt werden.

Außerdem kann in diesem Abschnitt:

- Die Firmware der Vorrichtung aktualisieren.
- Den Schwenk-Neige-Kopf wieder starten.
- Die Anwendung VTTunnel herunterladen, um die Verbindung mit der IP-Kamera zu aktivieren, unbedingt nötig, um auf ihre Web-Seite zuzugreifen.
- Zugang zu den Webseiten der Kamera.

Werkzeuge

- RESET PROFILES** Zurück auf Werkseseinstellungen.
- RESET PARAMETER** Setzt alle Bewegungsparameter, Digitale IO-Einstellungen und Washer-Einstellungen auf Werkseseinstellungen zurück.
- RESET IDENTIFIER** Setzt alle Authentifizierungseinstellungen auf Werkseseinstellung zurück.
- RESET NETZWERK** Setzt alle Netzwerkeinstellungen auf Werkseseinstellung zurück.
- RESET ALLES** Setzt alle Einstellungen auf Werkseseinstellung zurück.
- UPGRADE FIRMWARE** Aktualisierung Gerätefirmware. No file selected.
- HARDWARE RESTART** Neustart des Geräts.
- VTTUNNEL** Download und Ausführung VTTunnel, um die Kamera direkt über den Browser zu erreichen.
- KAMERA** Zugriff auf die Kamera-Webseiten

Abb. 62

9.1.14 Factory Default

! Falls das Kennwort nicht mehr verfügbar ist, können mit einer Resettaste, die sich in der Basis befindet, die Werkseinstellungen wiederhergestellt werden.

Für den Reset der werkseitigen Einstellungen bezüglich Netz, Benutzerzugriff und Konfiguration der Kamera folgende Prozedur ausführen:

- Die Einheit mit Strom versorgen.
- Die Tür der Dipschalter öffnen.
- Lokalisierung des DIP-Schalters 4 (01). Den Schalter 1 wieder nach unten stellen, Wert 1 (ON).
- Das vorläufige Ausschalten der LED abwarten (02).
- Den Schalter 1 wieder nach oben stellen, Wert 0 (OFF).
- Die Klappe schließen.

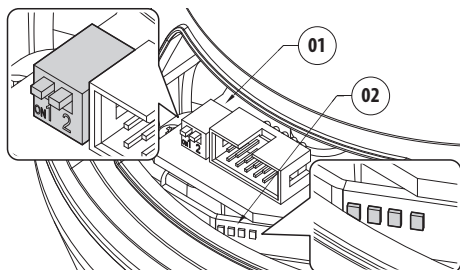


Abb. 63

9.2 VTTunnel

i Die Anwendung funktioniert nur mit Java™. Wenn Java™ nicht zuvor installiert wurde, die letzte Version von der Website www.java.com herunterladen.

i Die Anwendung kann nur mit der ersten aktiven Netzwerk-Schnittstelle in Verbindung treten. Am Schwenk-Neige-Kopf nur das Netzkabel angeschlossen lassen.

i Die Ausführung der Anwendung erfordert die Administratorrechte des Computers. Auf dem Monitor könnte die Meldung "You have to execute javaw as administrator" angezeigt werden. In diesem Fall müssen die Ausführungseigenschaften der Datei `javaw.exe` im Java-Installationsordner verändert werden.

Um die IP-Kamera anzuschließen, müssen Sie das VTTunnel- Programm verwenden, aus dem Menü Werkzeuge bootfähig.

Beim Start des Programmes wird eine Liste von vernetzten Geräten angezeigt. Für den Anschluss an die Kamera muss der gewünschte Schwenk-Neige-Kopf ausgewählt werden und die Taste Connect gedrückt werden.

Sobald die Verbindung hergestellt ist, kann die Webseite der IP-Kamera an 192.0.0.64 erreicht werden.

Wenn die Operationen an der Kamera zu Ende sind, kann man die Verbindung durch Klicken auf die Disconnect- Taste schließen. Es ist möglich, je eine Kamera zu verbinden, so müssen Sie aus dem S-N-Kopf trennen, bevor man auf einer anderen Positioniereinheit arbeiten kann.

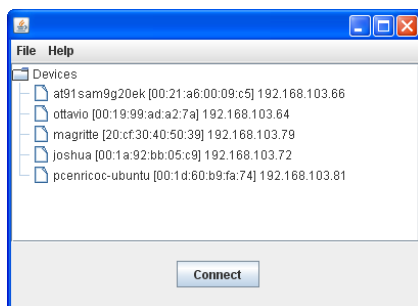


Abb. 64

i Falls bei der Konfiguration der Videokamera die Videostreaming-Parameter geändert werden, ist es erforderlich die Schwenkung wieder zu aktivieren.

10 Zubehör

i Für weitere Details zur Konfiguration und zum Gebrauch beachten Sie bitte das Handbuch des entsprechenden Geräts.

10.1 Waschanlage

Der Schwenk-Neige-Kopf muss mit einer externen Pumpe ausgestattet sein, die Wasser für die Reinigung des Glases liefert.

Wird der Befehl abgesendet, positioniert sich der Schwenk-Neige-Kopf mit dem Fenster vor der Düse. (9.1.2 Benutzersteuerung, Seite 27). Es werden nun für eine bestimmte Zeit die Pumpe und der Scheibenwischer aktiviert. Am Ende des Vorgangs kehrt der S-N-Kopf in die Ausgangsposition zurück.

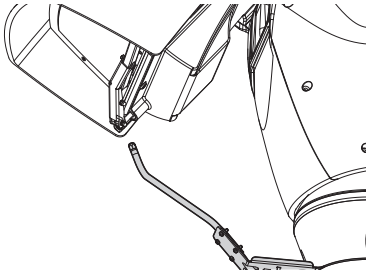


Abb. 65

10.1.1 Anschluss der Waschanlage.

! ACHTUNG! Die Anlage gehört zum Typ TNV-1. Nicht an Kreisläufe SELV anschließen.

! ACHTUNG! Zur Senkung der Brandgefahr dürfen nur Kabel benutzt werden, die mindestens dem Schnitt 0.13mm² entsprechen (AWG 26).

! Alle Signalkabel mit einem Kabelbinder müssen zusammengefasst werden.

ANSCHLUSS DER WASCHANLAGE.

Klemmen	Beschreibung
O1-C1	Potentialfreier Kontakt für die Aktivierung der Waschanlage.

Tab. 5

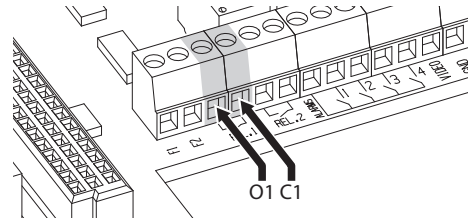


Abb. 66

10.2 Wandhalterung

Wandhalterung mit interner Kabelführung.

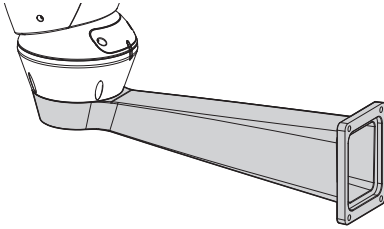


Abb. 67

10.3 Halterung für Brüstungsmontage

Brüstungshalterung mit interner Kabelführung.

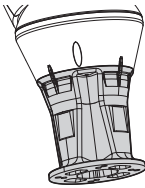


Abb. 68

10.4 Netzteil mit Steuerung der Scheinwerfer

Dichtes Gehäuse mit Netzteil und Kontrolle der Scheinwerfer.

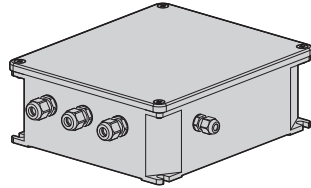


Abb. 69 Standardversion des Gehäuses.

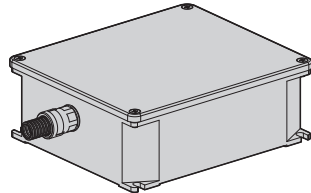


Abb. 70 UL-zertifizierte Version des Gehäuses.



Für weitere Infos bitte entsprechendes Kapitel beachten (7.4.3 Anschluss der Alarmeingänge, der Dämmerungsschalter und der Relais, Seite 18).

11 Wartung



Die Wartung darf nur von Fachleuten vorgenommen werden, die befähigt sind, an elektrischen Schaltkreisen tätig zu werden.

11.1 Wechsel der Sicherungen



Wartung nur durchführen, wenn die Stromversorgung abgetrennt und die Trennvorrichtung offen ist.

Falls notwendig die abgebildete Sicherung austauschen (7.3 Beschreibung der Karte Anschlüsse, Seite 15).

WECHSEL DER SICHERUNGEN

Spannung	Schmelz- sicherung F1	Schmelz- sicherung F2
24Vac, 50/60Hz	F 6.3A L 250V 5x20	T 8A H 250V 5x20
120Vac, 50/60Hz	F 6.3A L 250V 5x20	T 4A H 250V 5x20
230Vac, 50/60Hz	F 6.3A L 250V 5x20	T 2A H 250V 5x20

Tab. 6

12 Reinigung

12.1 Reinigung des Glases und der Kunststoffteile



Zu vermeiden sind Äthylalkohol, Lösungsmittel, hydrierte Kohlenwasserstoffe, starke Säuren und Alkali. Diese Produkte können die behandelte Oberfläche beschädigen.

Es wird empfohlen, ein weiches Tuch und neutrale mit Wasser verdünnte Seife oder ein spezifisches Reinigungsmittel für Brillengläser zu verwenden.

13 Müllentsorgungsstellen



Dieses Symbol und das entsprechende Recycling-System gelten nur für EULänder und finden in den anderen Ländern der Welt keine Anwendung.

Ihr Produkt wurde entworfen und hergestellt aus qualitativ hochwertigen Materialien und Komponenten, die recycelt und wiederverwendet werden können.

Dieses Symbol bedeutet, daß elektrische und elektronische Geräte am Ende ihrer Nutzungsdauer von Hausmüll getrennt entsorgt werden sollen.

Bitte entsorgen Sie dieses Gerät bei Ihrer örtlichen Sammelstelle oder im Recycling Centre.

In der Europäischen Union gibt es unterschiedliche Sammelsysteme für Elektrik- und Elektronikgeräte.

14 Problemlösung

Fordern Sie Fachleute für die Arbeiten an, wenn:

- Die Einheit nach einem Sturz beschädigt ist;
- Die Leistungen der Einheit merklich abgefallen sind.
- Die Einheit trotz der Befolgung sämtlicher Ausführungen in diesem Handbuch nicht korrekt funktioniert.

PROBLEM

Das Produkt lässt sich nicht einschalten.

URSACHE

Falsche Verkabelung, Schmelzsicherungen durchgebrannt.

LÖSUNG

Anschlüsse prüfen. Die Kontinuität der Sicherungen überprüfen und im Falle eines Defektes müssen sie durch die aufgeführten Modelle ersetzt werden.

PROBLEM

Beim Einschalten bleibt die S-N-Kopf blockiert.

URSACHE

Die Umgebungs-temperatur ist sehr niedrig.

LÖSUNG

Ende des Vorheizvorgangs abwarten.

15 Technische Daten

15.1 Allgemeines

Konstruktion aus Aluminiumdruckguß und ABS
Pulverlackierung mit Epoxydpolyester, Farbe RAL9002

Top mount (OTT)

Zahnriemenantrieb

Slip-ring

Elektronische Endschalter

Vereinfachte Installation dank Steckverbinder und der leichten Austauschbarkeit an Ort und Stelle

Kein mechanisches Spiel

Optische Sensoren für Feedback bei absoluter Positionierung

Vorinstallierter Wischer

Vorinstallierte Kamera und Objektiv

15.2 Mechanik

Kabelverschraubungen: 3xM16

Horizontale Drehung: kontinuierlich

Zoom 18x:

- Neigung: +90° bis -40°
- Schwenkgeschwindigkeit rechts - links (einstellbar): von 0.02°/s bis 100°/s (von 0.02°/s bis 40°/s, mit LED Scheinwerfern)
- Neigegeschwindigkeit Auf-Ab einstellbar (einstellbar): von 0.02°/s bis 50°/s (von 0.02°/s bis 30°/s, mit LED Scheinwerfern)

Zoom 33x:

- Neigung: von +45° bis zu -20°
- Schwenkgeschwindigkeit rechts - links (einstellbar): von 0.02°/s bis zu 20°/s
- Neigegeschwindigkeit Auf-Ab einstellbar (einstellbar): von 0.02°/s bis zu 20°/s

Innere Nutzabmessungen: Siehe Zeichnungen

Genauigkeit bei der Anfahrt von Vorwahlpositionen: 0.02°

Einheitsgewicht: 17kg (18x), 30kg (33x)

15.3 Elektrik

Versorgungsspannung/Stromaufnahme:

- 230Vac, 0.4A, 50/60Hz
- 24Vac, 4A (8A mit LED Scheinwerfern), 50/60Hz
- 120Vac, 0.8A, 50/60Hz

Leistungsaufnahme:

- 100W
- 150-190W max mit LED Scheinwerfern in 24Vac
- 28.5W (18x), 24W (33x), S-N-Kopf unbewegt, ohne Heizung

Speisung Videokamera: 12Vdc (800mA)

4 Selbstgespeiste Alarmeingänge

2 potentialfreie Kontakte: 30Vdc max oder 30Vac, @ 1A

15.4 Kommunikation

Ethernet-Verbindung: IEEE 802.3 100Base-Tx

15.5 Protokolle

ONVIF, Profil S

Für Gerätekonfiguration: TCP/IPv4, UDP/IPv4, HTTP, NTP, DHCP, WS-DISCOVERY, QoS

Für Streaming: RTSP, RTCP, RTP

15.6 Kamera

Day/Night Full HD, 60fps, CMOS 1/1.9" Sensor

Effektive Pixel: 2.38 Megapixel

Mindestbeleuchtung Zoom 18x, Farbe (ICR-OFF):

- 0.08lx, 50 IRE F2.5, 1/30s

Mindestbeleuchtung Zoom 18x, B/W (ICR-ON):

- 0.06lx, 50 IRE F2.5, 1/30s

Mindestbeleuchtung Zoom 33x, Farbe (ICR-OFF):

- 0.1lx, 50 IRE F3.0, 1/30s

Mindestbeleuchtung Zoom 33x, B/W (ICR-ON):

- 0.07lx, 50 IRE F3.0, 1/30s

Zoom 18x:

- Horizontale Blickwinkel: 40.6° (wide end) bis 2.4° (tele end)
- Vertikale Bildwinkel: 30.8° (wide end) bis 1.8° (tele end)

Zoom 33x:

- Horizontale Blickwinkel: 23.42° (wide end) bis 0.74° (tele end)
- Vertikale Bildwinkel: 17.74° (wide end) bis 0.55° (tele end)

S/N Ratio: Mehr als 50 dB

WDR (wide dynamic range): 90dB

Electronic Shutter: 1/1 bis 1/10,000 s

Belichtungskontrolle: Belichtungskompensation, AGC, Electronic Shutter, Iris

Weißabgleich: ATW, ATW PRO, Fluorescent Lampe, Mercury Lampe, Natrium Vapor Lamp, Metallhalogenidlampe, Weißes LED, Open Push WB, Manuell

Wide-D: View-DR

Tonkorrektur: Visibility Enhancer

Geräuschreduzierung: XDNR

15.7 Optiken

Zoom 18x, 8.5-154mm, F2.5

Zoom 33x, 15-500mm, F2.5 (Das System für thermischem Ausgleich und Visible Cut Filter sind optional.)

15.8 Umgebung

Innen/Außen

Betriebstemperatur: -40°C/+60°C

Aktivierungstemperatur für die 33x-Version:-30°C/+60°C

Impulsfestigkeit: bis zu 2kV zwischen zwei Leitungen, bis zu 4kV zwischen Leitung und Erde (Klasse 4)

15.9 Zertifizierungen

Elektrische Sicherheit (CE): EN60950-1, IEC60950-1

Elektromagnetische Verträglichkeit (CE): EN50130-4, EN610000-6-4, EN55022 (Klasse A), FCC Part 15 (Klasse A)

Außeninstallation (CE): EN60950-22, IEC60950-22

Fotobiologische Sicherheit (CE): EN62471 LED Scheinwerfer)

Schutzart IP: EN60529, IP66

Salznebelbeständig: EN50130-5, EN60068-2-52

UL- Zertifizierung: cULus Listed (TYPE 4X)

EAC-Zertifizierung

16 Technische Zeichnungen



Die Abmessungen der Zeichnungen sind in Millimeter angegeben.

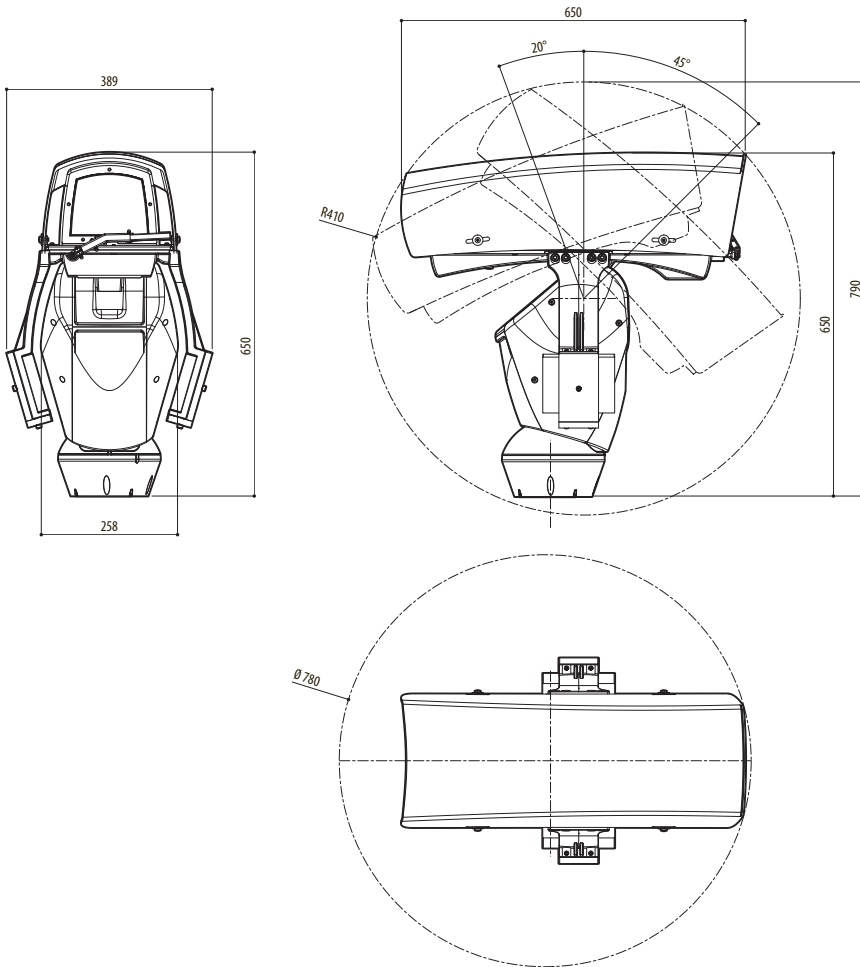


Abb. 71 ULISSE RADICAL, Zoom 33x.

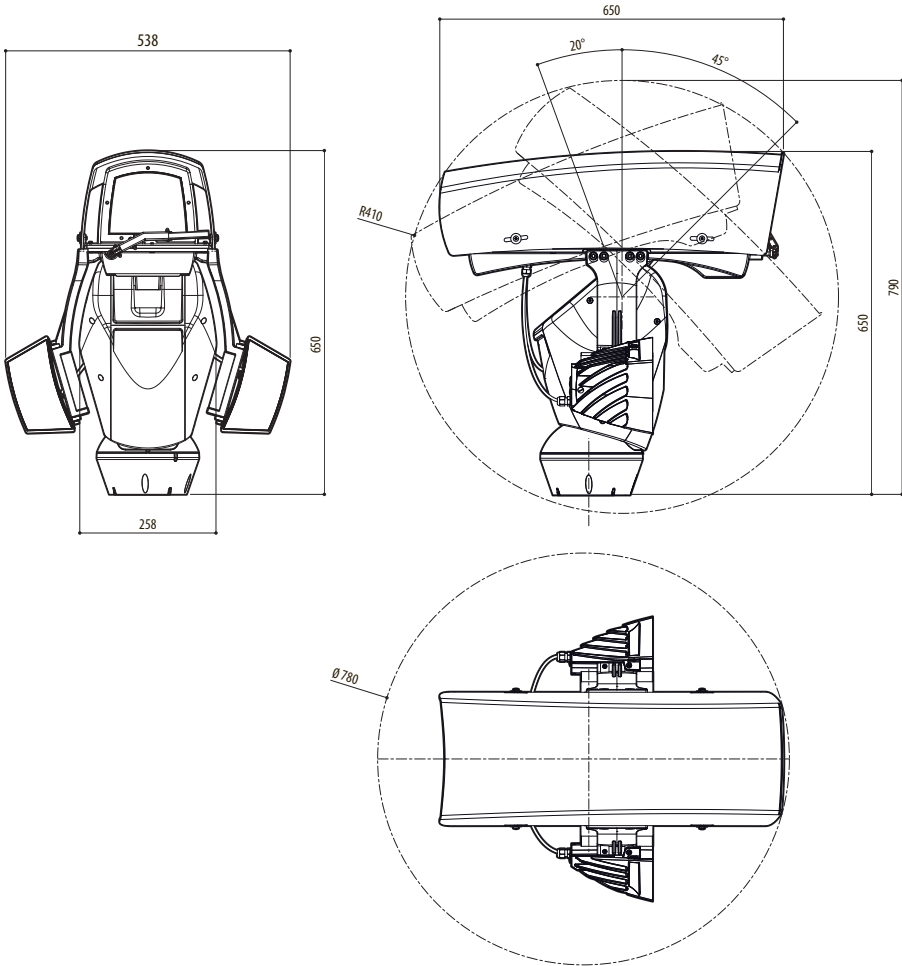


Abb. 72 ULISSE RADICAL, Zoom 33x, Version mit Vorrüstung für zwei LED-Scheinwerfer.

Headquarters Italy Videotec S.p.A.

Via Friuli, 6 - I-36015 Schio (VI) - Italy

Tel. +39 0445 697411 - Fax +39 0445 697414

Email: info@videotec.com

Asia Pacific Videotec (HK) Ltd

Flat 8, 19/F. On Dak Industrial Building, No. 2-6 Wah Sing Street

Kwai Chung, New Territories - Hong Kong

Tel. +852 2333 0601 - Fax +852 2311 0026

Email: info.hk@videotec.com

France Videotec France SARL

Immeuble Le Montreal, 19bis Avenue du Québec, ZA de Courtaboeuf
91140 Villebon sur Yvette - France

Tel. +33 1 60491816 - Fax +33 1 69284736

Email: info.fr@videotec.com

Americas Videotec Security, Inc.

Gateway Industrial Park, 35 Gateway Drive, Suite 100

Plattsburgh, NY 12901 - U.S.A.

Tel. +1 518 825 0020 - Fax +1 518 825 0022

Email: info.usa@videotec.com - www.videotec.us



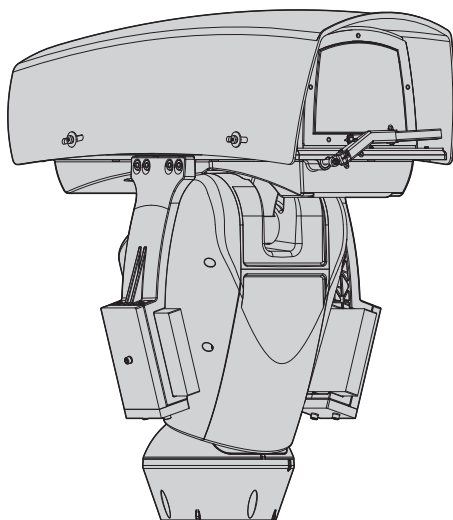
www.videotec.com

MNVCUPKHXL_1514_DE



ULISSE RADICAL

Устройство PTZ IP с встроенной телекамерой и оптикой



1 Информация о настоящем руководстве.....	7
1.1 Типографские обозначения	7
2 Примечания по авторскому праву и торговым маркам	7
3 Правила безопасности.....	7
4 Идентификация.....	10
4.1 Описание и назначение изделия	10
4.2 Маркировка изделия.....	10
4.2.1 Контроль маркировки	10
5 Версии.....	11
5.1 Проекторы со LED.....	11
6 Подготовка изделия к использованию	11
6.1 Меры безопасности перед использованием	11
6.2 Распаковка.....	12
6.2.1 Снятие защитной упаковки	12
6.2.1.1 Открытие корпуса	12
6.2.1.2 Удаление защитной упаковки.....	12
6.3 Содержимое	13
6.4 Переработка в отходы в условиях безопасности материалов упаковки	13
6.5 Подготовительная работа перед установкой	13
6.5.1 Установка кронштейна.....	13
6.5.2 Прохождение кабелей	13
7 Монтаж	14
7.1 Подключение к кабелям основания.....	14
7.2 Прикрепление основания к кронштейну	15
7.3 Описание платы разъемов.....	15
7.4 Подключение к линии питания.....	16
7.4.1 Подключение линии питания 24Vac.....	17
7.4.2 Подключение силовой линии в 120 В переменного тока и 230 В переменного тока.....	17
7.4.3 Подключение входов сигналов тревоги, сумеречного выключателя и реле.....	18
7.5 Подключение кабеля к сети Ethernet.....	18
7.6 Крепление верхнего корпуса	19
7.7 Установка противовесов.....	19
7.8 Установка светодиодных (LED) осветителей.....	20
7.8.1 Снятие противовесов.....	20
7.8.2 Установка осветителя на скобе.....	20
7.9 Подключение светодиодных (LED) осветителей.....	21
7.10 Установка светодиодных (LED) осветителей и режим синхронизации с телекамерой.....	21
7.10.1 Описание светодиодного (LED) осветителя.....	21
7.10.2 Синхронизация с внешним сумеречным выключателем.....	22
7.10.3 Синхронизируйте узел с LED осветителями	22
7.10.4 Ручная активация LED осветители.....	22
7.10.5 Регулировка порога включения светодиодных (LED) осветителей	23

7.10.6 Регулировка мощности светодиодных (LED) осветителей	23
7.11 Фиксация щетки ветровое стекло	24
8 Включение	25
9 Конфигурация	26
9.1 Интерфейс веб	26
9.1.1 Home	26
9.1.2 Проверки пользователя	27
9.1.3 Параметры Устройства	28
9.1.4 Статистика Устройства	28
9.1.5 Конфигурация сети	28
9.1.6 Конфигурация пользователей	29
9.1.7 Параметры Движения	29
9.1.7.1 Autopan	30
9.1.7.2 Patrol	30
9.1.7.3 Вызов Движений	30
9.1.8 Параметры Предварительных настроек (Preset)	30
9.1.9 Параметры Предварительных настроек (Дополнительно)	30
9.1.10 Цифровые входы/выходы	31
9.1.11 Washer	31
9.1.12 Параметры Камеры	32
9.1.13 Инструменты	32
9.1.14 Factory Default	33
9.2 VTunnel	33
10 Аксессуары	34
10.1 Установка мойки	34
10.1.1 Подключение моющего оборудования	34
10.2 Настенное крепление	35
10.3 Кронштейн для поручней	35
10.4 Блок питания с функцией контроля осветителей	35
11 Техобслуживание	36
11.1 Замена предохранители	36
12 Уборка	36
12.1 Очистка стекла и пластмассовых частей	36
13 Вывоз в отходы	36
14 Устранение неисправностей	36
15 Технические параметры	37
15.1 Общее	37
15.2 Механика	37
15.3 Электрические характеристики	37
15.4 Сообщения	37
15.5 Протоколы	37
15.6 Телекамеры	38
15.7 Объективы	38
15.8 Среда	38
15.9 Сертификация	38

1 Информация о настоящем руководстве

Перед монтажом и использованием настоящего блока, внимательно прочитайте настоящее руководство. Хранить данное руководство под рукой для будущих консультаций.

1.1 Типографские обозначения



ОПАСНОСТЬ!

Повышенная опасность.

Опасность удара электрическим током.

Если не указано иным образом, отключите питание, Прежде чем приступить к выполнению операций, если не указано иным образом, отключите питание.



ОПАСНОСТЬ!

Горячая поверхность.

Следует избегать контакта. Горячие поверхности могут причинить поражения человеку в случае контакта.



ОПАСНОСТЬ!

Опасность механической природы.

Риск раздавливания или отрезания.



ПРЕДУПРЕЖДЕНИЕ!

Средняя опасность.

Эта операция очень важна для правильной работы системы. Просим внимательно прочитать приведенную процедуру и выполнить ее указанным способом.



INFO

Описание характеристик системы.

Рекомендуется внимательно для выполнения следующих фаз.

2 Примечания по авторскому праву и торговым маркам

Упомянутые название компаний и продукции являются торговыми марками или зарегистрированными торговыми марками, принадлежащими соответствующим компаниям.

3 Правила безопасности



ПРЕДУПРЕЖДЕНИЕ! Система электропитания, к которой подключен прибор, должен быть оснащена биполярный автоматический выключатель защиты макс. 20А. Этот выключатель выбирается из перечисленных в списке. Минимальное расстояние между контактами должно быть 3mm. Выключатель должен иметь защиту против пробоя тока на землю (дифференциальную) и сверхток (магнитотермический).



ПРЕДУПРЕЖДЕНИЕ! Следует использовать только кронштейны или принадлежности, рекомендуемые для монтажа.



ПРЕДУПРЕЖДЕНИЕ! Во избежание пожароопасности, заменяйте плавкие предохранители такими же, аналогичного типа и значения тока. Замена плавких предохранителей должна выполняться только квалифицированным персоналом.



ПРЕДУПРЕЖДЕНИЕ! Установка типа TNV-1. Не подключайте к системам SELV.



ПРЕДУПРЕЖДЕНИЕ! Для снижения опасности пожара пользуйтесь исключительно кабелями, имеющими сертификат UL Listed или CSA, имеющими размеры не менее 0,13mm² (26AWG).

- Производитель снимает с себя какую-либо ответственность за возможный ущерб, вызванный использованием не по назначению упомянутого в данном руководстве оборудования. Также сохраняется право изменять содержание без предварительного извещения. При тщательном сборе документации, содержащейся в настоящем руководстве, были сделаны все необходимые проверки. Производитель, однако, не может взять на себя какую-либо ответственность, связанную с его использованием. Это относится к любому лицу или обществу, вовлеченному в создание и производство данного руководства.

- Перед началом любой операции, убедитесь, что электропитание отключено.
- Не использовать кабели со следами повреждений или старения.
- Ни в коем случае не вносить изменений и не выполнять подключений, не предусмотренных данным руководством. Использование оборудования не по назначению, может привести к серьёзным рискам и опасно, как для персонала, так и для системы.
- Используйте только оригинальные запасные части. Номера для оригинальных запасных частей может привести к пожару, электрический разряд или других опасностей.
- Перед монтажом проверить, что поставляемый материал соответствует требуемым техническим спецификациям, проверив этикетки маркировки (4.2 Маркировка изделия, страница 10).
- Это устройство предназначено для постоянной действующей установки на здании или на соответствующей конструкции. Устройство должно быть установлено на постоянной основе перед выполнением любой операции.
- Категория установки (называемая также категория перенапряжения) указывает уровни скачков напряжения сети, которым подвержен прибор. Категория зависит от места установки и присутствия устройств защиты от перенапряжений. Устройство для промышленных условий, подключенное к основным ответвлениям линии питания, относится к категории установки III. Если речь идет о данном случае, требуется уменьшение до категории II. Этого можно достичь с помощью разделительного трансформатора с заземленным экраном между первичной и вторичной обмоткой или с помощью устройств защиты от перенапряжений (SPD) с маркировкой UL, подключенных между фазой и нейтралью и между нейтралью и землей. Устройства SPD с маркировкой UL используются для повторяющегося подавления кратковременных перенапряжений и при следующих номинальных условиях функционирования: Тип 2 (Устройства SPD, постоянно подключенные к сети питания, для установки со стороны загрузки рабочего устройства); Номинальный ток разряда (I_n) минимум 20кА. Например, можно использовать: FERRAZ SHAWMUT, ST23401PG-CN, ST240SPG-CN, указанные для 120/240Vac, ($I_n=20kA$). Максимальное расстояние между установкой и переходником составляет 5м.
- Размыкающее устройство, с быстрым и лёгким доступом, предназначенное для встраивания в электросистему здания и обеспечивающее быстрое срабатывание.
- Вывод заземления, присутствующий в изделии, должен быть постоянно подключен к земле.
- Опасные движущиеся компоненты. Не приближать пальцы или другие части тела.
- Подключите устройство к источнику питания, который соответствует маркировке. Прежде чем приступить к установке, убедитесь, что линия электропередачи правильно секционирована. Напряжение питания не должно превышать предельных ($\pm 10\%$).
- Питание должно подаваться от отдельного источника типа SELV, 24Vac, 8A, идущего от трансформатора с двойной изоляцией, зарегистрированного в списке UL, соответственно защищенного на выходе.
- Устройство устанавливается так, чтобы доступ к нему мог иметь только технический персонал или монтажник, поскольку из-за наличия подвижных частей существует опасность травмирования в результате движения этих подвижных компонентов.
- Наклейте этикетку Опасные Подвижные Компоненты рядом с устройством (Рис. 3, страница 11).
- Не используйте прибор в присутствии воспламеняющихся веществ.
- Для подключения линии питания используйте специальную соединительную коробку (UPTJBUL). Для получения дополнительной информации смотреть руководство по эксплуатации и установке изделия.

- Не разрешайте пользоваться прибором детям или посторонним лицам.
- Прибор считается отключенным только тогда, когда когда питание отключено и соединительные кабели с другими устройствами убраны.
- Техобслуживание прибора должно выполняться только квалифицированным персоналом. Во время техобслуживания оператор подвержен риску поражения электрическим током и другим опасностям.
- Используйте только комплектующие, указанные изготовителем. Любое изменение, выполненное без разрешения изготовителя, ведёт к потери гарантии.
- Перед подключением всех кабелей сигнала проверьте, чтобы узел был соответственно подключен к заземлению.
- Если устройство необходимо снять с установки, всегда в последнюю очередь отсоединяйте кабель заземления.
- Примите соответствующие меры для предупреждения поврежденной аппаратуры электростатическими разрядами.
- Узел реализован для подключения посредством трехжильного кабеля. Для правильного подключения контура заземления придерживайтесь указаний, содержащихся в данном руководстве.
- Обращайтесь с прибором осторожно, сильные механические воздействия могут его повредить.
- Обратите особое внимание на изоляцию и расстояния между линией питания и всеми другими кабелями, в том числе устройствами защиты от молний.
- Можно транспортировать устройство только с максимальной аккуратностью. Резкие остановки, перепады уровней и сильные столкновения могут приводить к повреждениям устройства или травмированию пользователя.

4 Идентификация

4.1 Описание и назначение изделия

ULISSE RADICAL - это первая система PTZ Full HD сети Videotec, готовая к использованию и соединяющая в себе исключительное сочетание оптики и видео, Full HD 1080p, 60fps и датчиков 1/2".

Для того, чтобы соответствовать повышенным требованиям видеонаблюдения, устройство PTZ может быть оснащено оптикой с 18x или 33x увеличением.

ULISSE RADICAL имеет сертификат ONVIF Profile S и поэтому совместима с большинством имеющихся на рынке VMS (систем видеонаблюдения); для полного контроля устройство осуществляет управление вспомогательным приводом стеклоочистителя, насосом, фарой и подогревом.

Если VMS (система видеонаблюдения) не поддерживает эти функции, ULISSE RADICAL снабжена PTZ Assistant приложением, которое добавляет на рабочий стол дополнительные возможности и позволяет использовать функции наводки без ограничений.

Равномерное движение даже на минимальной скорости 0.02°/сек. обеспечивается мощными двигателями.

Эффективность работы остаётся неизменной даже в полной темноте благодаря мощным осветителям LED (Светодиодный осветитель), которые обеспечивают освещение объектов на расстоянии до 200 м.

ULISSE RADICAL имеет неограниченную гарантию от производителя сроком на 3 года. В гарантию включены телекамера и двигатели.

ULISSE RADICAL с увеличением 33x представляет собой систему теплого сглаживания и противоотражающего фильтра (Visible Cut Filter) (Видимый Отсекающий Фильтр).

По своим характеристикам точности, надежности и прочности телекамера PTZ является идеальным решением для видеонаблюдения за большими внешними площадями, такими как: наблюдение на границе, в портах, наблюдение за большими периметрами, контроль за автомобильным движением, объектами военного назначения...

4.2 Маркировка изделия



На поворотные устройства наклеены этикетки, соответствующие маркировке ЕС.

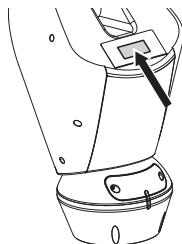


Рис. 1

На этикетке указаны:

- Идентификационный код модели (Расширенный штрих-код 3/9).
- Питание (Volt).
- Частота (Hertz).
- Потребление тока (Ампер).
- Степень защиты (IP).
- Серийный номер.

4.2.1 Контроль маркировки

До начала установки проверьте, изучив для этого маркировочные этикетки, чтобы поставленный материал соответствовал специальным требованиям.

Ни в коем случае не вносить изменений и не выполнять подключений, не предусмотренных данным руководством. Использование оборудования не по назначению, может привести к серьезным рискам и опасно, как для персонала, так и для системы.

5 Версии

5.1 Прожекторы со LED

 Версия со светодиодными (LED) осветителями может получать питание только 24Vac.

Поворотное устройство может быть укомплектовано кронштейном для установки 2 светодиодных (LED) осветителей VIDEOTEC для ночного видения (осветители не входят).

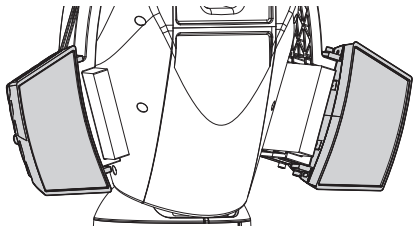





Рис. 2

 За дополнительной информацией обратитесь к соответствующей главе (7.8 Установка светодиодных (LED) осветителей, страница 20).

6 Подготовка изделия к использованию

 Любое изменение, выполненное без разрешения изготовителя, ведёт к потере гарантии.

 Устройство не должно быть демонтировано или подделано. Исключение составляют лишь те, которые касаются операций по сборке и техническому обслуживанию, предусмотренные в данном руководстве.

6.1 Меры безопасности перед использованием


 Оборудование включает в себя подвижные компоненты. Проверить, чтобы блок был установлен в зоне, недоступной во время нормальной работы оборудования. Поместить специальную табличку, поставляемую вместе с оборудованием, на хорошо видимом месте в непосредственной близости к нему.



Рис. 3

6.2 Распаковка

При поставке изделия убедитесь в том, что упаковка не повреждена и не имеет явных признаков падений или царапин.

В случае видимых повреждений упаковки немедленно свяжитесь с поставщиком.

Храните упаковку на случай, если необходимо отправка изделия для ремонта.

i Распаковывайте крышку устройства осторожно, чтобы не повредить футляра.

6.2.1 Снятие защитной упаковки

Перед установкой устройства необходимо снять защитную упаковку.

6.2.1.1 Открытие корпуса

Раскрутите винты, предохраняющие от утечки, по бокам и поднимите верхнюю часть кожуха.

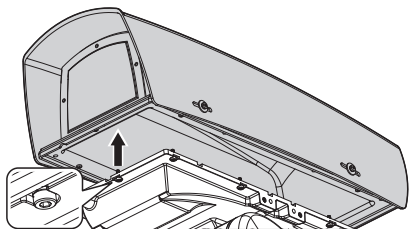


Рис. 4

i Первыми затяните центральные винты, как показано на рисунке.

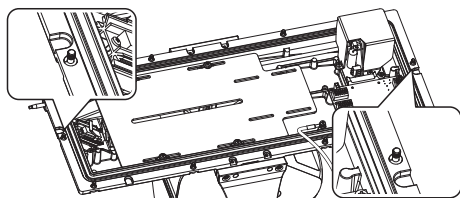


Рис. 5

i По завершении операций по установке и прокладке кабеля закройте устройство.

6.2.1.2 Удаление защитной упаковки

После открытия футляра удалить защитную упаковку.

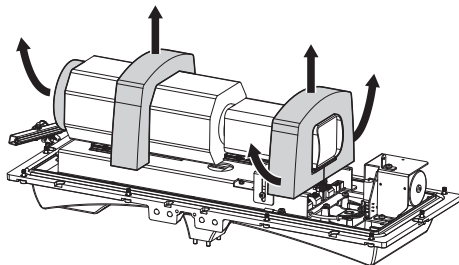


Рис. 6

6.3 Содержимое

Убедитесь в том, что содержимое будет соответствовать списку материалов, приведённому ниже:

- Устройство позиционирования
- Основание питания
- Упаковка аксессуары:
 - Серийный адаптер
 - Последовательный кабель-удлинитель
 - Ключи шестигранники
 - Распорки
 - Этикетка
 - Хомутики
 - Феррит
 - Силиконовая оболочка
 - Уплотнители уменьшения для кабельных муфт.
 - Учебник инструкции
 - Пластина фиксации для пакетика с осушителем
 - Набор винтов
- Упаковка противовесов:
 - Противовесы
 - Опоры для противовесов
- Тент от солнца

6.4 Переработка в отходы в условиях безопасности материалов упаковки

Материалы упаковки полностью состоят из рекуперированного материала. Техник по установке должен переработать их в отходы в соответствии с порядком дифференцированного сбора или, в любом случае, в соответствии действующими правилами в стране использования.

В случае возврата некачественной продукции, рекомендуем использовать первоначальную оригинальную упаковку для транспортировки.

6.5 Подготовительная работа перед установкой

6.5.1 Установка кронштейна



Для установок, подверженным вибрациям, используйте только кронштейн с установкой на поручни.

В наличии разные типы кронштейнов (10 Аксессуары, страница 34). Выберите наиболее подходящий для монтажа и следуйте всем указаниям, приведенным в данном разделе.



Обратите особое внимание на системы крепления аппаратуры. Система креплений должна выдерживать вес, не менее чем 4-кратно превышающий вес самой аппаратуры, в том числе поворотного устройства, объектива и телекамеры.



Устройство должно устанавливаться в вертикальном положении. Каждое альтернативное расположение может ухудшить характеристики аппаратуры.



Не устанавливайте устройство перевернутым.

6.5.2 Прохождение кабелей



Соединительные кабели не должны быть доступными извне. Во избежание случайного выскальзывания из-за избыточного веса кабели должны быть как следует прикреплены к поддержке.



Используемые кабели должны соответствовать типу установки.

Уложите кабели внутри кронштейна так, чтобы они выходили наружу примерно на 50 см.

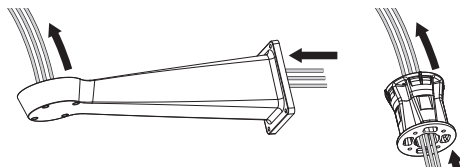


Рис. 7

7 Монтаж



Ни в коем случае не вносить изменений и не выполнять подключений, не предусмотренных данным руководством. Несоблюдение инструкций, представленных в руководстве и касающихся соединений, может привести к созданию серьезных опасных ситуаций для персонала и установки.



Не заменять уже имеющуюся на оборудовании кабельпроводку. Несоблюдение данной инструкции может привести к созданию серьезных опасных ситуаций для персонала и установки, а также к аннулированию гарантии.



В случае использования набора для очистки стекла держатель насадки должен устанавливаться перед установкой поворотного устройства и прокладкой кабеля. За дополнительной информацией обращаться к руководству по эксплуатации соответствующего набора.

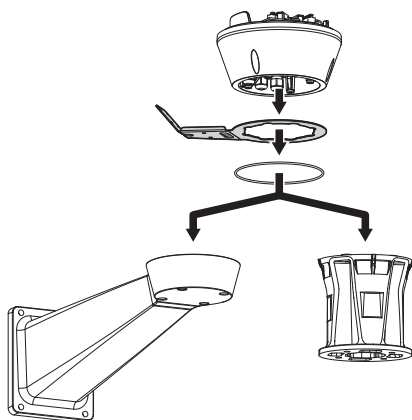


Рис. 8



В нижнем колпаке присутствует пакетик с осушителем, предотвращающий образование влаги в основании и в области плат разъемов. Снимите пакет перед установкой.

7.1 Подключение к кабелям основания

Уложите кабели в кабельные муфты и, удерживая основание на расстоянии около 20см от кронштейна Затяните кабеледержатели. Кабельные муфты подходят к кабелям, имеющим диаметр от 5мм до 10мм.

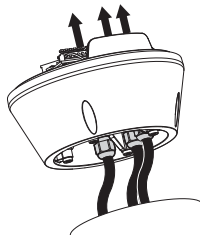


Рис. 9



Будьте осторожны при установке. Момент затяжки: 5Нм.



Для кабелей диаметром от 3 до 7мм используйте специальные резиновые прокладки, входящие в набор поставки.

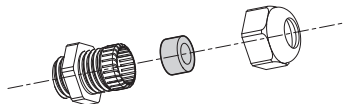


Рис. 10

7.2 Прикрепление основания к кронштейну

Используйте винты и шайбы, поставляемые с основанием.

После установки прокладки (01) прикрепите основание (02) к кронштейну (03), используя винты, зубчатые шайбы (05) и кольца для винтов (06).

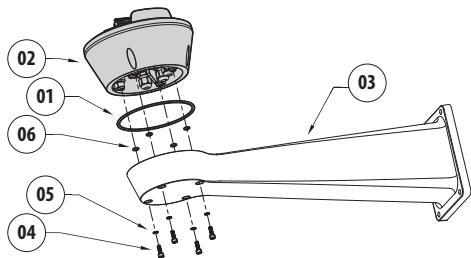


Рис. 11

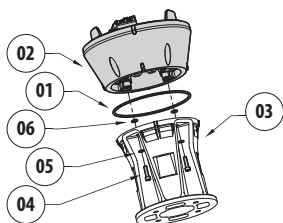


Рис. 12

Выровняйте 3 отметки на основании с отметками, присутствующими на кронштейнах, как показано на следующем рисунке.

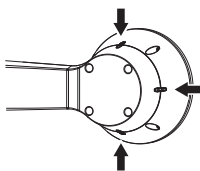


Рис. 13

Применить резьбового фиксатора отверстия винтов (Loctite 243®).

Будьте осторожны при установке. Момент затяжки: 6Нм.

7.3 Описание платы разъемов

ОПИСАНИЕ ПЛАТЫ РАЗЪЕМОВ	
Разъём/Компонент	Функция
CN1	Питание платы
CN4	Кабелей сигнала
Ethernet	Ethernet
F1	Плавкий предохранитель
F2	Плавкий предохранитель

Таб. 1

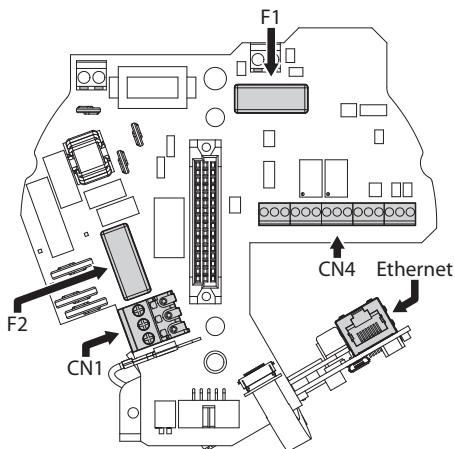


Рис. 14

7.4 Подключение к линии питания

В зависимости от версии, на устройство может подаваться различное напряжение питания. Их значение приведено на идентификационной этикетке изделия (4.2 Маркировка изделия, страница 10).



Выполнять электрические подключения при отсутствии питания и с открытым разъединяющим устройством.



В момент монтажа убедитесь в том, что характеристики подаваемого питания соответствуют характеристикам, требуемым устройством.



Проверить, что источники питания и соединительные кабели в состоянии обеспечить необходимое энергопотребление системы.



Провод заземления должен быть длиннее двух других примерно на 10мм, с целью предотвращения случайного отсоединения по причине растяжения кабеля.



Кабель питания должен быть покрыт силиконовой оболочкой (01), имеющейся в комплекте. Силиконовая оболочка крепится с помощью зажима (02).

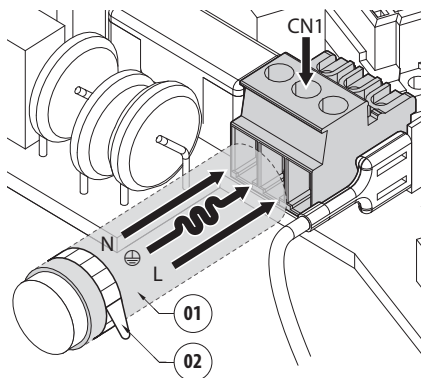


Рис. 15

7.4.1 Подключение линии питания 24Vac

Отрезать по размеру кабели и реализовать соединения. Подключите питающую линию к следующей клемме: CN1.

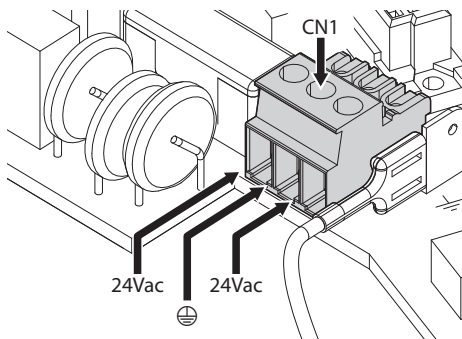


Рис. 16

Подключите кабели питания, как описано в таблице ниже.

ПОДКЛЮЧЕНИЕ К ЛИНИИ ПИТАНИЯ	
Цвет	Клеммы
Питание 24Vac	
Определяется установщиком	24Vac
Определяется установщиком	24Vac
Желтый/Зеленый	GND/⏚

Таб. 2

7.4.2 Подключение силовой линии в 120 В переменного тока и 230 В переменного тока

Отрезать по размеру кабели и реализовать соединения. Подключите питающую линию к следующей клемме: CN1.

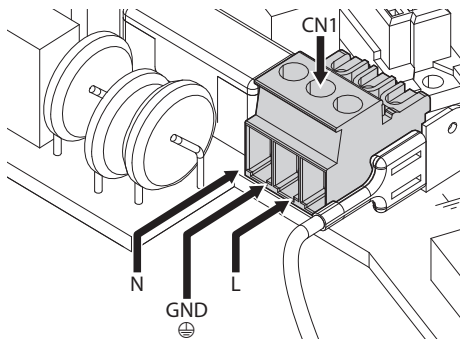


Рис. 17

Подключите кабели питания, как описано в таблице ниже.

ПОДКЛЮЧЕНИЕ К ЛИНИИ ПИТАНИЯ	
Цвет	Клеммы
Питание 230Vac	
Синий	N (Нейтраль)
Коричневый	L (Фаза)
Желтый/Зеленый	GND/⏚
Питание 120Vac	
Синий	N (Нейтраль)
Коричневый	L (Фаза)
Желтый/Зеленый	GND/⏚

Таб. 3

7.4.3 Подключение входов сигналов тревоги, сумеречного выключателя и реле

⚠ ПРЕДУПРЕЖДЕНИЕ! Установка типа TNV-1. Не подключайте к системам SELV.

⚠ ПРЕДУПРЕЖДЕНИЕ! Для снижения опасности пожара пользуйтесь исключительно кабелями, имеющими разъемы одинаковые или больше 0.13mm² (AWG 26).

Стандартную версию

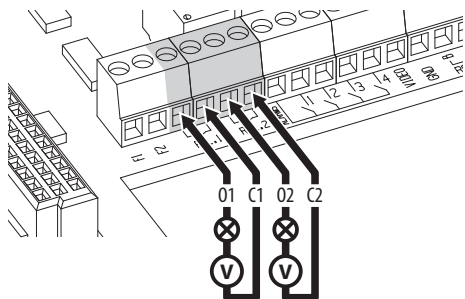


Рис. 18 Подключение контактов реле.

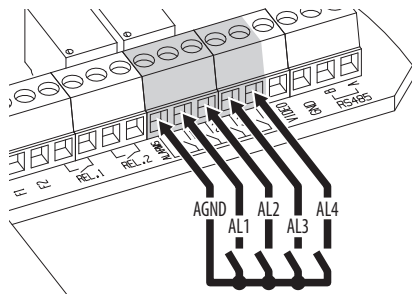


Рис. 19 Подключение сигналов тревог.

Версия со LED осветителями

ПОДКЛЮЧЕНИЕ ВХОДОВ СИГНАЛОВ ТРЕВОГИ, СУМЕРЕЧНОГО ВЫКЛЮЧАТЕЛЯ И РЕЛЕ

AL1, AL2, AL3, AL4 е AGND	Входы аварийного сигнала с автономным питанием, отнесенные к общей клемме AGND
O1-C1 е O2-C2	Свободные контакты выхода, активируемые сигналом тревоги или командой пользователя

Таб. 4

7.5 Подключение кабеля к сети Ethernet

Подключите кабель Ethernet к разъему (7.3 Описание платы разъемов, страница 15).

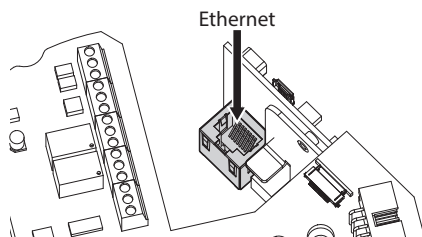


Рис. 20

7.6 Крепление верхнего корпуса

Прикрепите верхний корпус (01) к основанию (02) с помощью крепежных винтов (03), укомплектованных прокладками (04). Проверьте присутствие и хорошее состояние уплотнителя основания (05).

⚠ Будьте осторожны при установке. Момент затяжки: 4Нм.

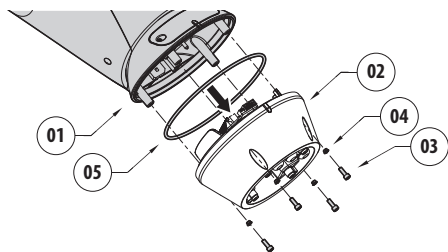


Рис. 21

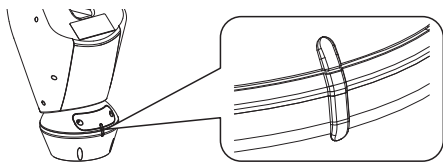


Рис. 22

i Существует единственное положение крепления между основанием и верхним корпусом. Выровняйте боковые выступы для правильного расположения.

7.7 Установка противовесов

Прикрепите противовесы к футляру с помощью винтов и шайб.

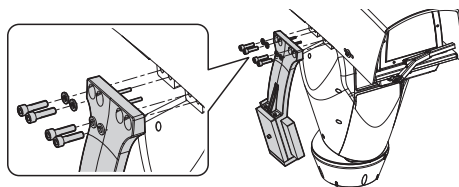


Рис. 23

⚠ Применить резьбового фиксатора отверстия винтов (Loctite 243®).

⚠ Будьте осторожны при установке. Момент затяжки: 16Нм.

7.8 Установка светодиодных (LED) осветителей

! Для правильного функционирования необходимо всегда устанавливать оба осветителя.

i На поворотном устройстве можно устанавливать только осветители VIDEOTEC.

7.8.1 Снятие противовесов

Отвинтить винты и снять внешние противовесы.

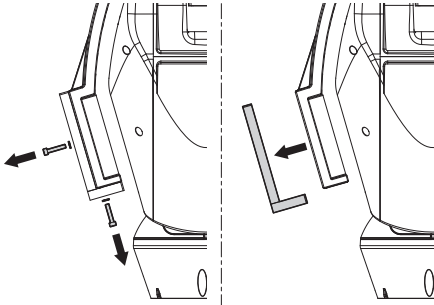


Рис. 24

7.8.2 Установка осветителя на скобе

Найдите передние отверстия на кронштейне противовеса.

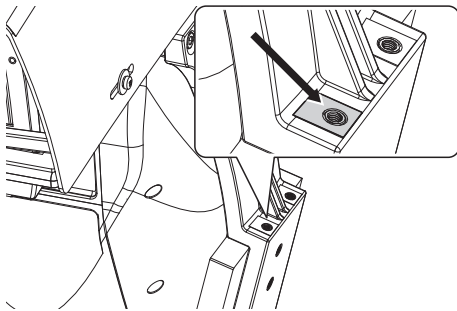


Рис. 25

Расположите крепления осветителя (01) на креплениях скобы (02).

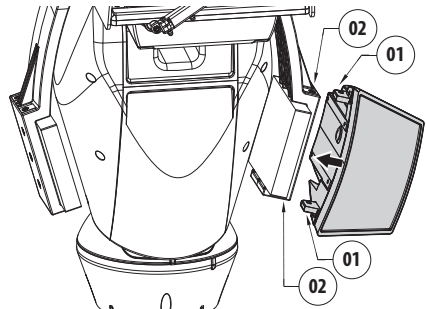


Рис. 26

Закрутите ранее снятые винты с шайбами.

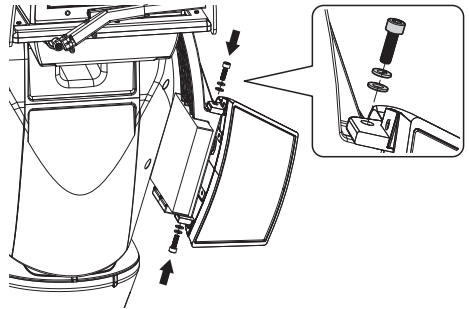
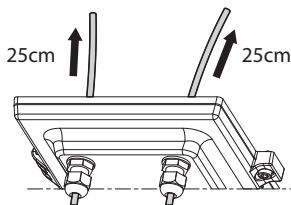


Рис. 27

! Будьте осторожны при установке. Момент затяжки: 6Нм.

7.9 Подключение светодиодных (LED) осветителей

Введите кабели питания хотя бы на 25см через кабельные муфты.



! Чтобы не поставить под угрозу безопасность и функционирование узла, не оставляйте излишки кабеля снаружи.

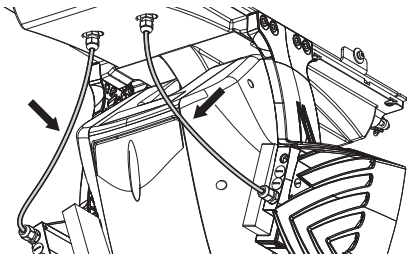


Рис. 28

Подключите кабели, как показано на рисунке.

Левый осветитель (MASTER) (ОСНОВНОЙ) должен быть соединен с разъемом J15. Правый осветитель (SLAVE) (ЗАВИСИМЫЙ) должен быть соединён с разъемом J9.

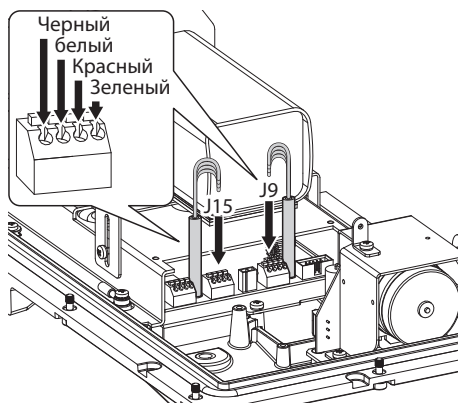


Рис. 29

7.10 Установка светодиодных (LED) осветителей и режим синхронизации с телекамерой

! После завершения регулировки левый осветитель (MASTER) синхронизирует и контролирует осветитель справа (SLAVE).

Сумеречный выключатель считывает окружающее освещение и контролирует включение и отключение осветителей, когда яркость достигает заданного пользователем уровня.

Когда светодиодные (LED) осветители активированы, телекамера переходит в ночной режим с помощью специальной команды ONVIF.

7.10.1 Описание светодиодного (LED) осветителя

! Для обеспечения правильного и безопасного функционирования осветителя не откручивать прозрачный винт датчика освещенности.

- **Сумеречный датчик:** Измеряет уровень яркости.
- **Кабель:** Питание и управление.
- **Регулятор порога включения:** Потенциометр позволяет регулировать уровень чувствительности для включения осветителя.
- **Регулятор мощности инфракрасных:** Потенциометр регулировать мощность осветителя.

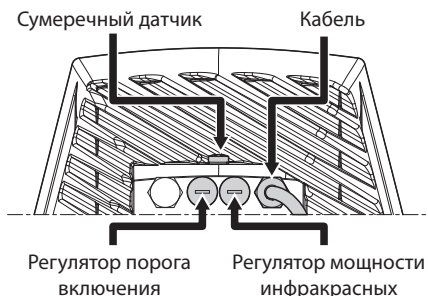


Рис. 30

7.10.2 Синхронизация с внешним сумеречным выключателем

Для синхронизации осветителей и телекамеры с внешним сумеречным датчиком необходимо:

- Подключите сумеречный выключатель к клеммам: AL 1/AGND (7.4.3 Подключение входов сигналов тревоги, сумеречного выключателя и реле, страница 18).
- Отрегулировать левый осветитель (MASTER):
 - **Порог включения:** Установить значение на OFF (7.10.5 Регулировка порога включения светодиодных (LED) осветителей, страница 23).
 - **Мощность инфракрасных осветителей:** Установить значение в зависимости от потребностей (7.10.6 Регулировка мощности светодиодных (LED) осветителей, страница 23).
- Регулировка правого осветителя (SLAVE):
 - **Порог включения:** Установите значение на максимум (7.10.5 Регулировка порога включения светодиодных (LED) осветителей, страница 23).
 - **Мощность инфракрасных осветителей:** Установить значение на минимум (7.10.6 Регулировка мощности светодиодных (LED) осветителей, страница 23).

В строке Зонд IR (Sonda IR) выберите опцию Внешняя (Esterna) (9.1.12 Параметры Камеры, страница 32).

В плате I/O Цифровых установить значения следующим образом (9.1.10 Цифровые входы/выходы, страница 31):

- **ID сигнала тревоги::** 1
- **Вид:** ОБЫЧНО ОТКРЫТЫЙ
- **Действие:** IR_FILT

7.10.3 Синхронизируйте узел с LED осветителями

Для синхронизации LED осветителями и телекамеры с внешним сумеречным датчиком необходимо:

- Отрегулировать левый осветитель (MASTER):
 - **Порог включения:** Установить значение в зависимости от потребностей (7.10.5 Регулировка порога включения светодиодных (LED) осветителей, страница 23).
 - **Мощность инфракрасных осветителей:** Установить значение в зависимости от потребностей (7.10.6 Регулировка мощности светодиодных (LED) осветителей, страница 23).

- Регулировка правого осветителя (SLAVE):
 - **Порог включения:** Установите значение на максимум (7.10.5 Регулировка порога включения светодиодных (LED) осветителей, страница 23).
 - **Мощность инфракрасных осветителей:** Установить значение на минимум (7.10.6 Регулировка мощности светодиодных (LED) осветителей, страница 23).

В строке Параметры Камеры (Parametri Camera) выберите опцию Внутренняя (Interna) (9.1.12 Параметры Камеры, страница 32).

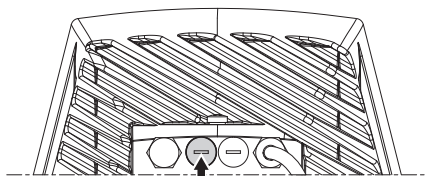
7.10.4 Ручная активация LED осветителя

Если нужно активировать светодиодный (LED) осветитель, необходимо:

- Отрегулировать левый осветитель (MASTER):
 - **Порог включения:** Установить значение на OFF (7.10.5 Регулировка порога включения светодиодных (LED) осветителей, страница 23).
 - **Мощность инфракрасных осветителей:** Установить значение в зависимости от потребностей (7.10.6 Регулировка мощности светодиодных (LED) осветителей, страница 23).
- Регулировка правого осветителя (SLAVE):
 - **Порог включения:** Установите значение на максимум (7.10.5 Регулировка порога включения светодиодных (LED) осветителей, страница 23).
 - **Мощность инфракрасных осветителей:** Установить значение на минимум (7.10.6 Регулировка мощности светодиодных (LED) осветителей, страница 23).

7.10.5 Регулировка порога включения светодиодных (LED) осветителей

! Правый осветитель всегда должен быть отрегулирован на максимальную яркость.



Регулятор порога включения

Рис. 31

Осветитель представляет собой встроенный сумеречный датчик, обеспечивающий автоматическое включение и выключение при заданных условиях освещенности.

Регулировка сумеречного датчика выполнена на фабрике и настроена на заранее установленный уровень освещения, подходящего для большинства установок (около 50 люкс). Если нужно отрегулировать иным способом порог срабатывания, отвинтите пробку, установленную на задней поверхности осветителя и отрегулируйте с помощью отвертки.

Поворот триммера по часовой стрелке вызывает преждевременную коммутацию в ночной режим (переключение на более высокое значение освещенности). Поворот триммера против часовой стрелки вызывает запаздывание коммутации в ночной режим (переключение на более низкое значение освещенности).

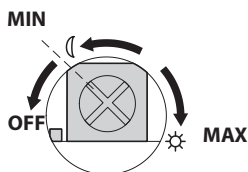


Рис. 32

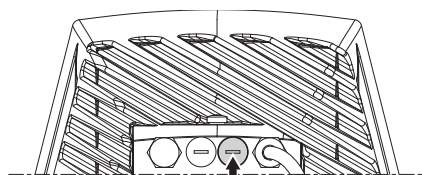
Подождите условий освещенности, подходящих для включения осветителя. Медленно поворачивайте триммер до включения светодиодов, установленных на боку триммера. Как только превышает порог срабатывания (LED включенный), слегка поверните в обратном направлении.

! По завершении регулировок проверьте, чтобы заглушка была соответственно затянута, гарантируя герметичность изделия.

7.10.6 Регулировка мощности светодиодных (LED) осветителей

! Правый осветитель всегда должен быть отрегулирован на минимальную мощность.

i Осветитель регулируется на фабрике так, чтобы давать максимальную мощность. S'il ne fallait pas éclairer des sujets éloignés ou si l'image était surexposée à cause de la luminosité excessive, effectuer le réglage de la puissance pour l'abaisser et pour obtenir une économie énergétique.



Регулятор мощности инфракрасных

Рис. 33

Отвинтите герметичную заглушку. Поверните триммер по часовой стрелке, чтобы увеличить мощность инфракрасного осветителя и против часовой стрелки, чтобы уменьшить.



Рис. 34

! По завершении регулировок проверьте, чтобы заглушка была соответственно затянута, гарантируя герметичность изделия.

7.11 Фиксация щетки ветровое стекло

Введите щетку вал ветровое стекло

Установите щетку в исходное положение

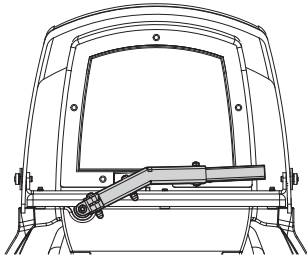


Рис. 35

Прикрепите все с помощью зубчатой шайбы и гайки.

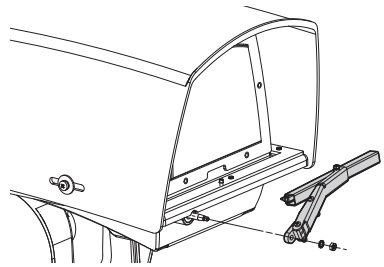


Рис. 36



Правильная настройка должна позволять щетке вернуться в исходное положение после удара о пластину корпуса.

8 Включение



Проверить, что прибор, и другие компоненты установки закрыты таким образом, чтобы предотвратить контакт с компонентами под напряжением.



Во время нормального функционирования поверхность осветителя может нагреваться до высоких температур. Избегайте прямого контакта и расположите аппаратуру в месте, недоступном для неуполномоченного персонала. Для выполнения любых работ по техобслуживанию выключите осветительное устройство и оставьте остывать не менее 10 минут.



Не находитесь рядом с прибором, если на него подается питание. Воздействуйте на устройство только при отключенном питании.



Проверьте, чтобы все компоненты были закреплены хорошо и надежно.



Процедура автоматического предварительного подогрева (De-Ice) может быть активирована всегда, когда устройство включается при температуре окружающей среды ниже 0°C. Процедура служит для обеспечения правильного функционирования прибора даже при низких температурах. Долгота меняется от 60 до 105 минут в соответствии с условиями.

Чтобы включить прибор, подключить электропитание.

Чтобы выключить прибор, следует его обесточить.

9 Конфигурация

9.1 Интерфейс веб

i При первом включении присвойте адрес, отличный от 192.168.0.100.

i Поддерживаемые браузеры: Microsoft Internet Explorer, Google Chrome, Mozilla Firefox.

i MAC-адрес приводится на этикетке, наклеенной на плате ЦП.

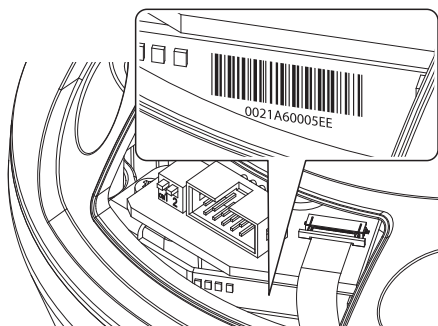


Рис. 37

Первая операция, необходимая для конфигурации поворотного устройства, заключается в подключении к его веб-интерфейсу.

В заранее установленных настройках поворотное устройство конфигурировано для автономного приобретения адреса с помощью протокола DHCP и можно обнаружить устройство с помощью протокола ONVIF, профиль S.

Если отсутствует какой-либо сервер DHCP, поворотное устройство автоматически выполнит конфигурацию с адресом 192.168.0.100.

Если нет в наличии VMS с функционированием Auto Discovery с помощью ONVIF, приобретенный адрес можно прочитать в списках сервера DHCP.

Для получения доступа к поворотному устройству достаточно подключиться к браузеру по адресу: http://indirizzo_ip и выполнить логин с помощью заранее установленных данных учетной записи:

- **Имя пользователя:** admin
- **Пароль:** admin

9.1.1 Home

Если логин выполнен успешно, появится интерфейс управления поворотным устройством.



Рис. 38

9.1.2 Проверки пользователя

Для контроля поворотного устройства через браузер необходимо выбрать строку User Control. Откроется новое окно с виртуальной клавиатурой для передачи команд.

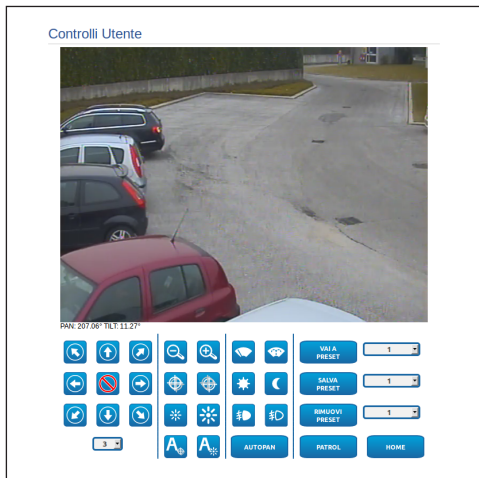


Рис. 39

На виртуальной клавиатуре размещены следующие устройства управления:

- **Переключатель скорости:** Позволяет выбрать скорость движений поворотного устройства.



Рис. 40

- **Zoom wide/Zoom tele**



Рис. 41

- **Focus far/Focus near/Auto focus**



Рис. 42

- **Iris close/Iris open/Auto iris**



Рис. 43

- **Wiper/Washer**



Рис. 44

- **Day:** Активирует фильтр IR камеры. Если присутствуют, выключает светодиодные (LED) осветители.



Рис. 45

- **Night:** Деактивирует фильтр IR камеры. Если присутствуют, включает светодиодные (LED) осветители.



Рис. 46

- **Visible Cut Filter On:** Способность противоотражающего фильтра (у тех моделей, которые им снабжены). Этот фильтр позволяет получить ясное изображение (черное и белое) в условиях дымки или контрового освещения.



Рис. 47

- **Visible Cut Filter Off:** Отключение противоотражающего фильтра (у тех моделей, которые им снабжены).



Рис. 48

9.1.3 Параметры Устройства

В строке меню Device Parameters можно присвоить название поворотному устройству и отобразить иную дополнительную информацию.

Device Parameters

Device Name	UlisseNet.cam
Product Code	LPT25VJAN00E
Serial Number	113121290001
MAC Address	00:21:A6:00:07:D8
Product ID	2
Firmware Version: CPU Board	2.0
Firmware Version: NET Board	6.0.0
Firmware Version: MPF Board	6.0.0
Hardware Revision	0
Major Revision	0
Minor Revision	0
Housing Type	0

Рис. 49

9.1.4 Статистика Устройства

В строке меню Device Statistics приведены, только в консультативных целях, все статистические данные, собранные во время функционирования поворотного устройства.

Device Statistics

Pan degrees	3364
Tilt degrees	1442
Power up	133
Working hours	26
Housing max temperature (°C)	40
Housing min temperature (°C)	65454
Pan board max temperature (°C)	50
Pan board min temperature (°C)	22
CPU board max temperature (°C)	43
CPU board min temperature (°C)	20
Net board max temperature (°C)	39
Net board min temperature (°C)	19
IR Light ON hours	0

Рис. 50

9.1.5 Конфигурация сети

В строке меню Network Configuration можно изменять сетевые настройки поворотного устройства. Можно решить способ присвоения адреса устройству: статически, динамически с помощью DHCP или путем автоматического генерирования. Устройство поддерживает 4 версию интернет-протокола (IP).



Благодаря автоматически генерированному адресу устройство автоматически присвоит себе адрес в диапазоне 9.254.0.0/16.

На этой же странице можно конфигурировать 2 DNS и решить, какие механизмы должны быть активированы для автоматической идентификации устройств в локальной сети.

Network Configuration

IP Version	IPv4
Address Type	STATIC
IP Address (IPv4)	192.168.103.121
Subnet Mask (IPv4)	255.255.255.0
Gateway (IPv4)	192.168.103.1
DNS auto discovery	DISABLED
Primary DNS	9.9.4.4
Secondary DNS	8.8.8.8
Date & Time	2013-05-27 14:41:53 UTC
NTP Server	DISABLED
PC Sync	ENABLED
UPNP	ENABLED
Zerocool	ENABLED
Multicast discovery	ENABLED
WS discovery	ENABLED

Рис. 51

Можно также решить должно ли устройству быть синхронизированным с внешним сервером NTP (Network Time Protocol).

- **NTP -> ОТКЛЮЧЕННЫЙ:** Выберите данную опцию, если желаете синхронизировать дату и время устройства.
- **NTP -> ДНСП:** Выберите данную опцию, если желаете синхронизировать дату и время устройства с датой и временем сервера NTP (Network Time Protocol), указанного сервером ДНСП.
- **NTP -> СТАТИЧЕСКИЙ:** Выберите данную опцию, если желаете синхронизировать дату и время устройства с датой и временем сервера NTP, указанного статическим адресом.

i Для правильного функционирования устройства необходимо синхронизировать поворотное устройство с программным обеспечением VMS, используя сервер NTP.

9.1.6 Конфигурация пользователей

В строке меню User Configuration можно управлять пользователями, имеющими доступ к поворотному устройству. Пользователи категории Administrator могут получать доступ к конфигурации устройства. Такие пользователи как Operator, User и Anonymous имеют ограниченный доступ к страницам управления.

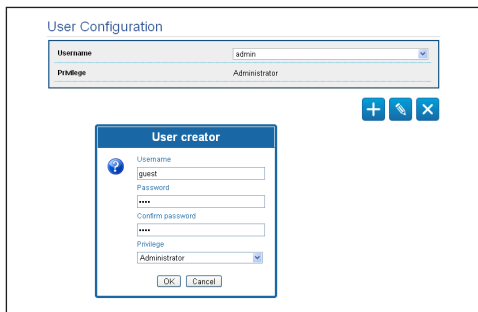


Рис. 52

i Устройство могут конфигурировать только пользователи со статусом администратора.

9.1.7 Параметры Движения

В строке меню Movement Parameters можно контролировать через сеть все параметры поворотного устройства.

- **Offset Pan:** Наводка имеет положение на 0° , определённое механически. Функция Offset Pan позволяет определить путём программного обеспечения положение, отличающееся от 0° .
- **Максимальная Скорость:** Устанавливает вручную максимальную скорость.
- **Скорость С Зумом:** Включает опцию Скорость с зумом. Этот параметр, если он включён, автоматически снижает скорость Pan и Tilt в зависимости от коэффициента фокусного расстояния.
- **Фактор Tilt:** Устанавливает фактор снижения ручной скорости оси tilt.
- **Ограничения Pan:** Подготавливает ограничения Pan.
- **Начало Pan:** Устанавливает начальное ограничение Pan.
- **Окончание Pan:** Устанавливает конечное ограничение Pan.
- **Начало Tilt:** Устанавливает начальное ограничение Tilt.
- **Окончание Tilt:** Устанавливает конечное ограничение Tilt.

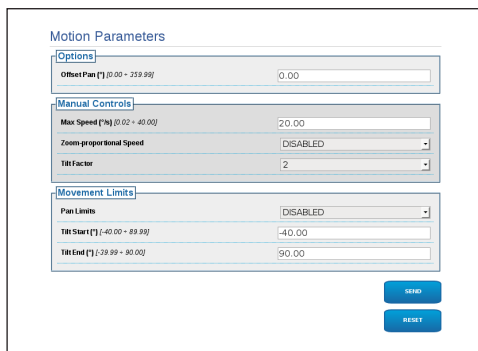


Рис. 53

9.1.7.1 Autopan

В подразделе Autopan можно указать предварительные настройки начала и завершения автопанорамирования.

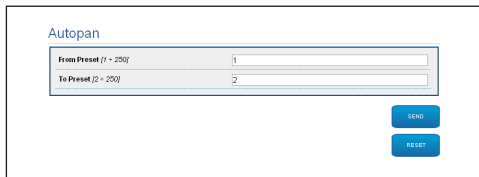


Рис. 54

9.1.7.2 Patrol

В подразделе Patrol можно указать предварительные настройки начала и завершения патрулирования. Кроме того, можно указать как должно происходить сканирование предварительных установок случайно или нет.

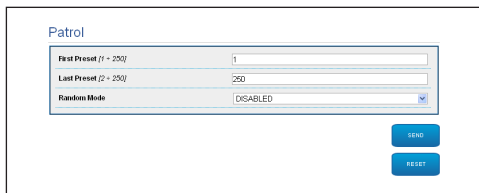


Рис. 55

9.1.7.3 Вызов Движений

В подразделе Motion Recall можно указать интервал времени отсутствия активности, по окончании которого поворотное устройство выполнит одно из следующих действий: возврат в исходное положение, запуск автопанорамирования или патрулирование.

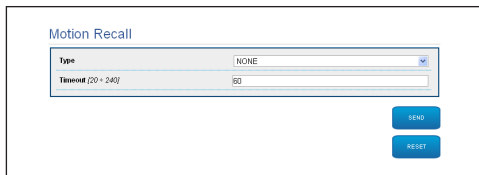


Рис. 56

9.1.8 Параметры Предварительных настроек (Preset)

В строке меню Preset Parameters можно конфигурировать некоторые параметры, касающиеся предварительных настроек:

- **Скорость Сканирования:** Скорость в градусах в секунду, с которой достигается предварительная настройка по четкому указанию оператора.
- **Тип рампы:** Позволяет выбрать ускорения поворотного устройства.
- **Скорость движений (по умолчанию):** Скорость, используемая в операциях autopan и patrol.
- **Установить скорость по умолчанию:** Скорость по умолчанию устанавливается также как скорость развертывания для всех предварительных настроек.
- **Пауза По Умолчанию:** Время, в секундах, пребывания по умолчанию в каждой предварительной настройке.
- **Установить паузу по умолчанию:** Пауза по умолчанию устанавливается для всех предварительных настроек (preset).

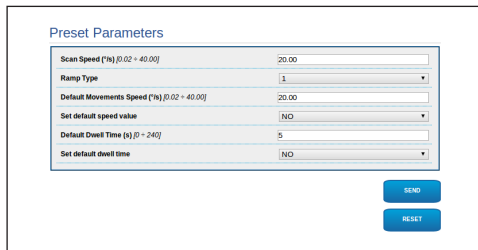


Рис. 57

9.1.9 Параметры Предварительных настроек (Дополнительно)

В разделе Preset Parameters (Advanced) можно персонализировать значения скорости и паузы для каждой предварительной настройки, а также подключать / отключать сами предварительные настройки.

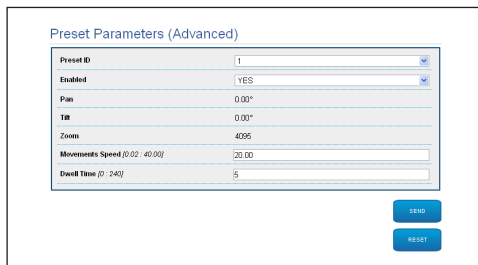


Рис. 58

9.1.10 Цифровые входы/выходы

В плате цифровых входов/выходов можно конфигурировать цифровые каналы, присутствующие в поворотном устройстве. Следует краткое описание параметров, которые можно конфигурировать, для каждого цифрового входа.

- **ID сигнала тревоги:** Поле, используемое для выбора нужного цифрового входа.
- **Вид:** Указывает режим по умолчанию цифрового входа. Может быть установлено на Обычно открытый или Обычно закрытый
- **Действие:** К каждому входу может быть присоединено какое-либо действие. Действие активируется в момент, когда контакт переходит в состояние, отличное от стандартного. Ниже перечислены возможные действия:
 - **NONE:** Никаких действий.
 - **SCAN:** Располагает поворотное устройство соответственно выбранным предварительным настройкам preset.
 - **PATROL:** Активирует PATROL (патрулирование).
 - **AUTO-PAN:** Активирует AUTOPAN (автопанорамирование).
 - **WIPER:** Активирует стеклоочиститель (Wiper).
 - **WASHER:** Активирует последовательность мытья стекла.
 - **РЕЛЕ 1:** Активирует реле 1
 - **РЕЛЕ 2:** Активирует реле 2
 - **IR FILT:** Деактивирует фильтр IR камеры. Если присутствуют, включает светодиодные (LED) осветители.

Для проверки правильного функционирования сигналов тревог на странице веб присутствует кружочек. В нормальных условиях цвет кружочка зеленый, а в условиях обнаружения сигнала тревоги - красный.

Digital I/O

Alarm ID	1
Type	NORMALLY OPEN
Action	NONE

SEND
RESET

Рис. 59

9.1.11 Washer

Насос для мытья поворотного устройства конфигурирован в плате Washer, где к операции мытья можно присоединить предварительную настройку, задать длительность мытья стекла, указать задержку активации и отключения стеклоочистителя.

Washer

Nozzle Preset (1 - 200)	1
Wiper-On Delay (0 - 240)	5
Washing Duration (0 - 240)	5
Wiper-Off Delay (0 - 240)	5

SEND
RESET

Рис. 60

9.1.12 Параметры Камеры

Параметры камеры IP, заданные при первом запуске, можно изменить в строке меню Camera Parameters.

В строке меню Camera Parameters можно также указать zoom изображения и точность положения вариобъектива. В данном разделе можно также визуализировать данные, касающиеся различных профилей ONVIF, экспортированных камерой.

В строке меню Lenses можно выбрать одну из следующих опций:

- **Моторизованные:** Контроль с поворотного устройства
- **Интегрированные:** Контроль с телекамеры
- **Фиксированные:** Не контролируются.

В случае моторизованных линз можно установить соединение (с общим проводом или при инверсионной полярности) и полярность вращения Zoom, Focus и Iris.

Рис. 61

Для изменения установок телекамеры выберите кнопку VTunnel (9.1.13 Инструменты, страница 32).

9.1.13 Инструменты

В строке меню Tools можно перенастраивать стандартные значения всей конфигурации поворотного устройства или только некоторых специальных секций.

Кроме того, в данном разделе можно:

- Обновите микропрограмму устройства.
- Снова включите поворотное устройство.
- Загрузите приложение VTunnel, для того, чтобы активировать связь с камерой IP, необходимо зайти на страницу веб камеры.
- Перейти на страницы вэб камеры.

Рис. 62

9.1.14 Factory Default



Если пароль уже не доступны, можно восстановить заводские установки, также с помощью кнопки Reset, установленной внутри основания.

Для восстановления настроек фабрики касающихся сети, во время доступа пользователей и конфигурации камеры выполните процедуру:

- Подать питание на узел.
- Откройте дверцу DIP-переключателей.
- Определить местоположение DIP-switch 4 (01). Привести switch (переключатель) в нижнее положение, значение 1 (ON) (Включено).
- Подождите временного выключения светодиодов (02).
- Привести switch (переключатель) в верхнее положение, значение 0 (OFF) (Отключено).
- Закройте дверцу.

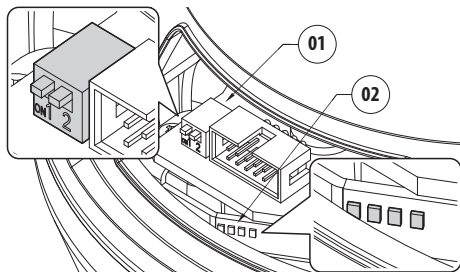


Рис. 63

9.2 VTTunnel



Приложение функционирует только с Java™. Если программное обеспечение Java™ не установлено заранее, загрузите последнюю версию с сайта www.java.com.



Приложение может подсоединяться только к первому активному сетевому интерфейсу. Оставьте подключенным только кабель, подключенный к поворотному устройству.



Выполнение приложения является прерогативой администратора компьютера. На мониторе может появиться сообщение: You have to execute Javaw as administrator. В данном случае необходимо изменить особенности запуска файла avaw.exe из папки установки Java.

Чтобы подключиться к интерфейсу телекамеры, необходимо использовать приложение VTTunnel, запускающийся со строки меню Tools.

При запуске приложения будет показан список устройств, подключенных в сети. Для подключения к камере необходимо выбрать нужное поворотное устройство и нажать клавишу Connect.

Как только будет установлена связь, страница веб телекамеры IP будет доступна по адресу 192.0.0.64 .

По завершении операций на телекамере можно выключить соединение, нажав клавишу Disconnect. Можно подключиться к только одной телекамере за один раз, поэтому необходимо отключиться от поворотного устройства перед тем, как начать работу с другим устройством позиционирования.

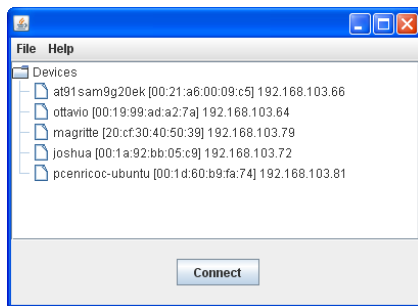


Рис. 64



Если в процессе настройки телекамеры изменяются параметры потока видео, необходимо настроить соответствующим образом наводку.

10 Аксессуары

i Для дополнительной информации по конфигурации и использованию обращаться к руководству по эксплуатации соответствующего оборудования.

10.1 Установка мойки

Поворотное устройство может быть укомплектовано внешним насосом для очистки стекла.

Когда отправляется команда, поворотное устройство располагается окном перед форсункой (9.1.2 Проверки пользователя, страница 27). Активируются насос и стеклоочиститель на определенный период времени. В конце процедуры поворотное устройство вернется в начальное положение.

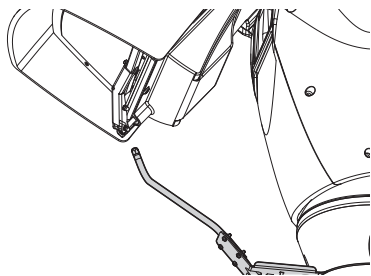


Рис. 65

10.1.1 Подключение мощного оборудования

! ПРЕДУПРЕЖДЕНИЕ! Установка типа TNV-1. Не подключайте к системам SELV.

! ПРЕДУПРЕЖДЕНИЕ! Для снижения опасности пожара пользуйтесь исключительно кабелями, имеющими разъемы одинаковые или больше 0.13mm² (AWG 26).

! Все сигнальные кабели должны быть сгруппированы под одним хомутиком.

ПОДКЛЮЧЕНИЕ МОЩЕГО ОБОРУДОВАНИЯ	
Клеммы	Описание
O1-C1	Чистый контакт для включения установки мойки.

Таб. 5

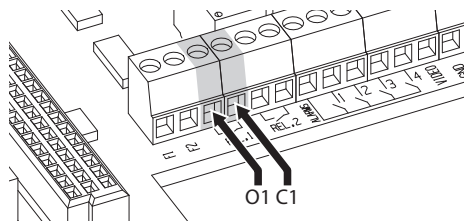


Рис. 66

10.2 Настенное крепление

Настенный кронштейн с внутренним кабельным каналом изготовлен из алюминия и окрашен порошковой краской.

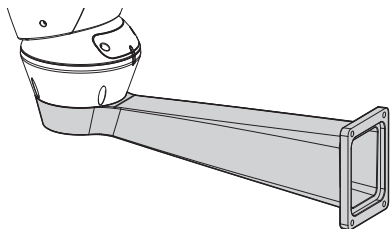


Рис. 67

10.3 Кронштейн для поручней

Кронштейн для монтажа на поручни с внутренним прохождением кабелей.

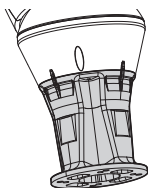


Рис. 68

10.4 Блок питания с функцией контроля осветителей

Герметичная коробка с блоком питания и контроля осветителей.

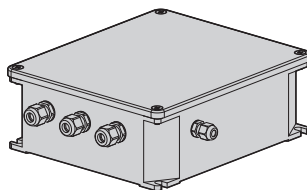


Рис. 69 Версия стандартной коробки.

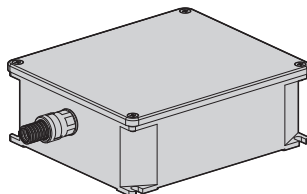


Рис. 70 Сертифицированный вариант корпуса UL.



За дополнительной информацией обратитесь к соответствующей главе (7.4.3 Подключение входов сигналов тревоги, сумеречного выключателя и реле, страница 18).

11 Техобслуживание



Техобслуживание должен выполнять только персонал с квалификацией работы на электрических контурах.

11.1 Замена предохранителя



Всегда выполнять техобслуживание при отсутствии питания и с открытым разъединяющим устройством.

В случае необходимости заменить предохранитель показано на рисунке (7.3 Описание платы разъемов, страница 15).

ЗАМЕНА ПРЕДОХРАНИТЕЛИ		
Напряжение	Плавкий предохранитель F1	Плавкий предохранитель F2
24Vac, 50/60Hz	F 6.3A L 250V 5x20	T 8A H 250V 5x20
120Vac, 50/60Hz	F 6.3A L 250V 5x20	T 4A H 250V 5x20
230Vac, 50/60Hz	F 6.3A L 250V 5x20	T 2A H 250V 5x20

Таб. 6

12 Уборка

12.1 Очистка стекла и пластмассовых частей



Избегать применение этилового спирта, растворителей, гидрированных углеводородов, сильных кислот и щелочей. Использование названных продуктов наносит непоправимый вред обрабатываемой поверхности.

Для очистки линз очков рекомендуется пользоваться мягкой тканью с раствором нейтрального мыла или специальных чистящих средств в воде.

13 Вывоз в отходы



Этот символ и система утилизации имеют значение только в странах ЕС и не находят применения в других странах мира.

Ваше изделие было изготовлено из материалов и компонентов высокого качества, могущих быть повторно использованными или утилизированными.

Электрические и электронные материалы, на которых имеется указанный символ, в конце срока службы должны выбрасываться отдельно от бытовых отходов.

Просим вывезти это устройство в Центр сбора или на экологическую станцию.

В Европейском Сообществе существуют системы дифференцированного сбора мусора для электронных и электрических изделий.

14 Устранение неисправностей

Запросить операцию квалифицированного персонала, поскольку:

- Узел повреждён вследствие падения;
- Эксплуатационные характеристики узла получили явное ухудшение;
- Устройство не работает должным образом, даже если вы выполнили все указания, приведенные в настоящем руководстве.

ПРОБЛЕМА Устройство не включается.

ПРИЧИНА Ошибочная кабельная проводка, поломка плавких предохранителей.

РЕШЕНИЕ Проверьте правильность выполнения соединений. Проверьте сохранность плавких предохранителей и, в случае неполадки, замените на указанные.

ПРОБЛЕМА Во время включения поворотное устройство остается заблокированным.

ПРИЧИНА Температура окружающей среды очень низкая.

РЕШЕНИЕ Подождите окончания процедуры предварительного нагрева.

15 Технические параметры

15.1 Общее

Изготовлен из алюминия и ABS пластика

Эпоксиполиэстеровое порошковое покрытие, цвет RAL9002

Верхнее крепление

Передача усилия через зубчатый ремень

Токосъёмное контактное кольцо

Электронные ограничители поворота

Простая установка и замена благодаря съёмным разъемам

Отсутствие люфта

Оптический датчик для абсолютного позиционирования

Встроенная щетка очиститель

Телекамера и оптика предварительно установлены

15.2 Механика

Кабельная муфта: 3xM16

Горизонтальное вращение: продолж.

Zoom 18x:

- Вертикальное вращение: от +90° до -40°
- Скорость по горизонтали (изменчивый): от 0.02°/с до 100°/с (от 0.02°/с до 40°/с, со со прожекторы со LED)
- Скорость вертикального вращения (изменчивый): от 0.02°/с до 50°/с (от 0.02°/с до 30°/с, со со прожекторы со LED)

Zoom 33x:

- Вертикальное вращение: от +45° до -20°
- Скорость по горизонтали (изменчивый): от 0.02°/с до 20°/с
- Скорость вертикального вращения (изменчивый): от 0.02°/с до 20°/с

Полезные внутренние размеры: См. чертежи

Погрешность препозиций: 0.02°

Вес устройства: 17kg (18x), 30kg (33x)

15.3 Электрические характеристики

Питание/Потребление тока:

- 230Vac, 0.4A, 50/60Hz
- 24Vac, 4A (8A со со прожекторы со LED), 50/60Hz
- 120Vac, 0.8A, 50/60Hz

Потребляемая мощность:

- 100W
- 150-190W max со со прожекторы со LED в 24Vac
- 28.5W (18x), 24W (33x), поворотное устройство остановлено, нагревание выключено

Питание телекамер: 12Vdc (800mA)

4 тревожных входа самозапитываемых

2 сухих контакта: 30Vdc max или 30Vac, @ 1A

15.4 Сообщения

Подключение Ethernet: IEEE 802.3 100Base-Tx

15.5 Протоколы

ONVIF, Профиль S

Для конфигурации устройства: TCP/IPv4, UDP/IPv4, HTTP, NTP, DHCP, WS-DISCOVERY, QoS

Для стриминга: RTSP, RTCP, RTP

15.6 Телекамеры

Day/Night Full HD, 60fps, датчик CMOS 1/1.9"

Эффективные элементы изображения (пиксели): 2.38 Мегapixel

Минимальное Освещение, увеличение 18x, цвет В/В (ICR-OFF):

- 0.08lx, 50 IRE F2.5, 1/30s

Минимальное Освещение, увеличение 18x, В/В (ICR-ON):

- 0.06lx, 50 IRE F2.5, 1/30s

Минимальное Освещение, увеличение 33x, цвет В/В (ICR-OFF):

- 0.1lx, 50 IRE F3.0, 1/30s

Минимальное Освещение, увеличение 33x, В/В (ICR-ON):

- 0.07lx, 50 IRE F3.0, 1/30s

Zoom 18x:

- Горизонтальное поле зрения: 40.6° (wide end) до 2.4° (tele end)
- Вертикальное поле зрения: 30.8° (wide end) до 1.8° (tele end)

Zoom 33x:

- Горизонтальное поле зрения: 23.42° (wide end) на 0.74° (tele end)
- Вертикальное поле зрения: 17.74° (wide end) до 0.55° (tele end)

S/N Ratio: более 50 dB

WDR (wide dynamic range): 90dB

Скорость обтюратора: 1/1 до 1/10,000 s

Контроль экспозиции: Коррекция Экспозиции, AGC, Скорость обтюратора, Iris

Баланс белого цвета: ATW, ATW PRO, Флуоресцентная лампа, Ртутная Лампа, Натриевые лампы, Металлогалогенные лампы, LED белый, Open Push WB, Учебник

Wide-D: View-DR

Коррекция Тона: Улучшение изображения

Уменьшение помех: XDNR

15.7 Объективы

Zoom 18x, 8.5-154mm, F2.5

Zoom 33x, 15-500mm, F2.5 (Система теплового сглаживания и противоотражающий фильтр - Видимый, Отсечение Фильтр - по желанию)

15.8 Среда

Внутренняя/Наружная установка

Рабочая температура: -40°C/+60°C

Температура включения для версии 33x: -30°C/+60°C

Устойчивость к импульсам: до 2kV линия в линию, до 4kV линия в землю (Class 4)

15.9 Сертификация

Электрическая безопасность (CE): EN60950-1, IEC60950-1

Электромагнитная совместимость (CE): EN50130-4, EN61000-6-4, EN55022 (Класс A), FCC Part 15 (Класс A)

Установка снаружи (CE): EN60950-22, IEC60950-22

Фотобиологическая безопасность (CE): EN62471
прожекторы со LED)

Степень защиты IP корпуса: EN60529, IP66

Защита от соленого тумана: EN50130-5, EN60068-2-52

Сертификация UL: cULus Listed (TYPE 4X)

Сертификат EAC

16 Технические чертежи

i Размеры в чертежах выражены в миллиметрах.

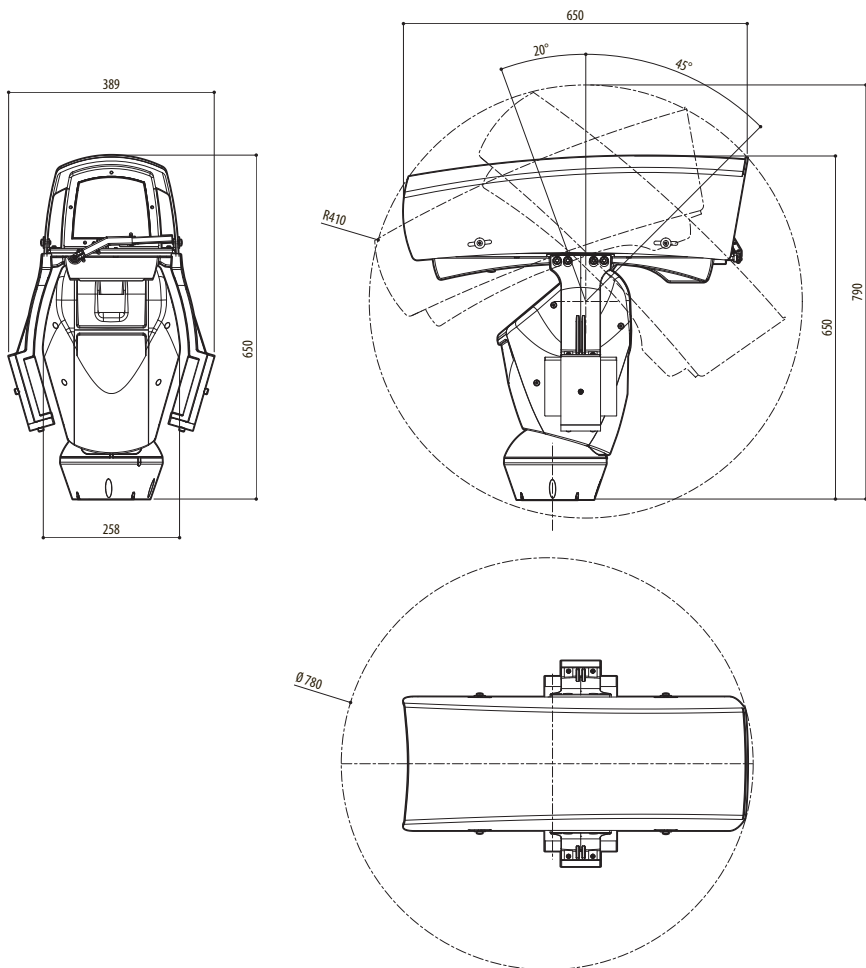


Рис. 71 ULISSE RADICAL, Zoom 33x.

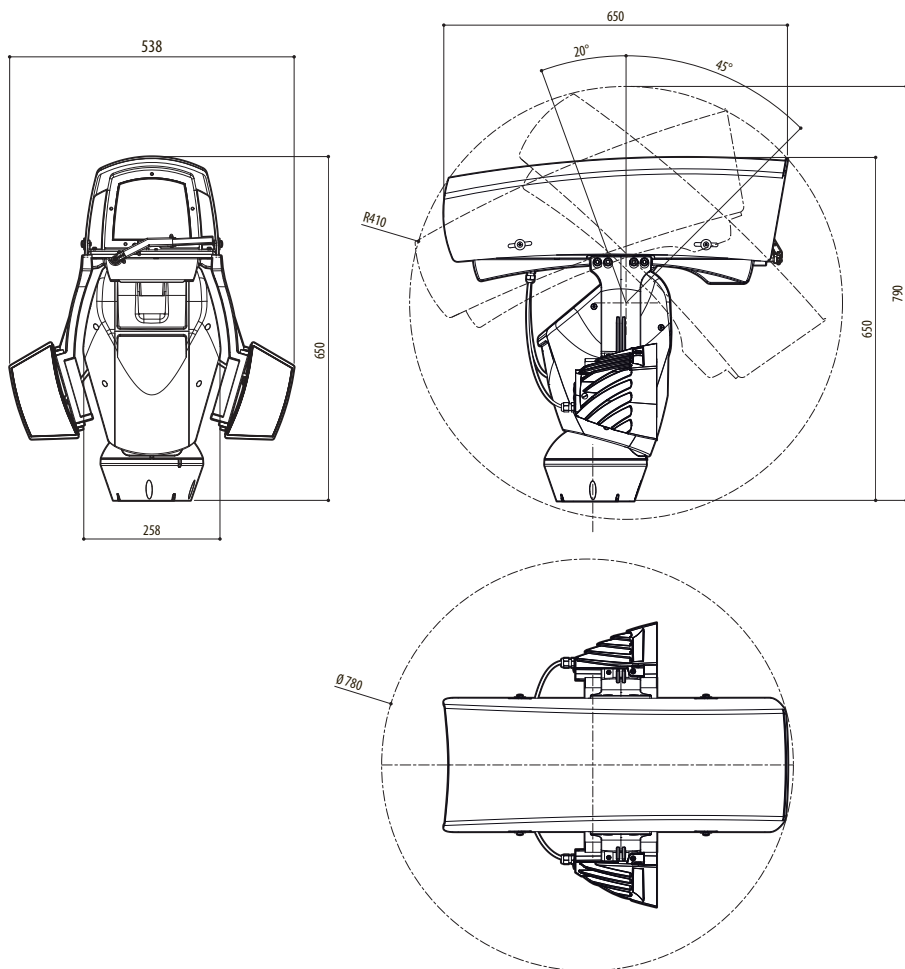


Рис. 72 ULISSE RADICAL, Zoom 33x, версия с приспособлениями для установки светодиодных (LED) осветителей.

Headquarters Italy Videotec S.p.A.

Via Friuli, 6 - I-36015 Schio (VI) - Italy

Tel. +39 0445 697411 - Fax +39 0445 697414

Email: info@videotec.com

Asia Pacific Videotec (HK) Ltd

Flat 8, 19/F. On Dak Industrial Building, No. 2-6 Wah Sing Street

Kwai Chung, New Territories - Hong Kong

Tel. +852 2333 0601 - Fax +852 2311 0026

Email: info.hk@videotec.com

France Videotec France SARL

Immeuble Le Montreal, 19bis Avenue du Québec, ZA de Courtaboeuf
91140 Villebon sur Yvette - France

Tel. +33 1 60491816 - Fax +33 1 69284736

Email: info.fr@videotec.com

Americas Videotec Security, Inc.

Gateway Industrial Park, 35 Gateway Drive, Suite 100
Plattsburgh, NY 12901 - U.S.A.

Tel. +1 518 825 0020 - Fax +1 518 825 0022

Email: info.usa@videotec.com - www.videotec.us



www.videotec.com

MNVCUPKHL_1514_RU

Headquarters Italy Videotec S.p.A.

Via Friuli, 6 - I-36015 Schio (VI) - Italy

Tel. +39 0445 697411 - Fax +39 0445 697414

Email: info@videotec.com

Asia Pacific Videotec (HK) Ltd

Flat 8, 19/F. On Dak Industrial Building, No. 2-6 Wah Sing Street

Kwai Chung, New Territories - Hong Kong

Tel. +852 2333 0601 - Fax +852 2311 0026

Email: info.hk@videotec.com

France Videotec France SARL

Immeuble Le Montreal, 19bis Avenue du Québec, ZA de Courtaboeuf
91140 Villebon sur Yvette - France

Tel. +33 1 60491816 - Fax +33 1 69284736

Email: info.fr@videotec.com

Americas Videotec Security, Inc.

Gateway Industrial Park, 35 Gateway Drive, Suite 100
Plattsburgh, NY 12901 - U.S.A.

Tel. +1 518 825 0020 - Fax +1 518 825 0022

Email: info.usa@videotec.com - www.videotec.us



www.videotec.com

MNVCUPKHXL_1514