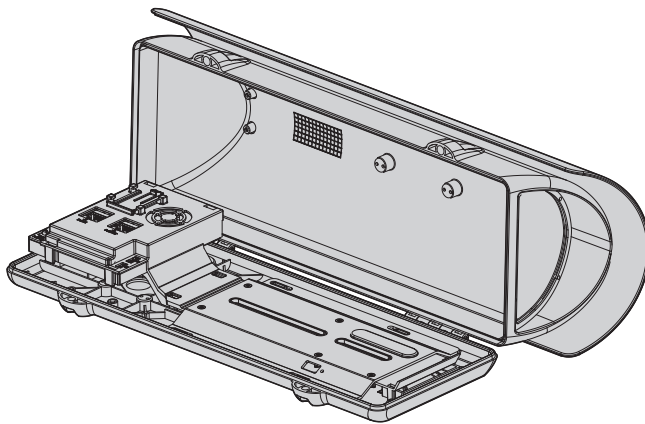




VERSO Hi-PoE IPM

Polycarbonate housing with IPM technology for IP cameras



EN English - Instructions manual

IT Italiano - Manuale di istruzioni

FR Français - Manuel d'instructions

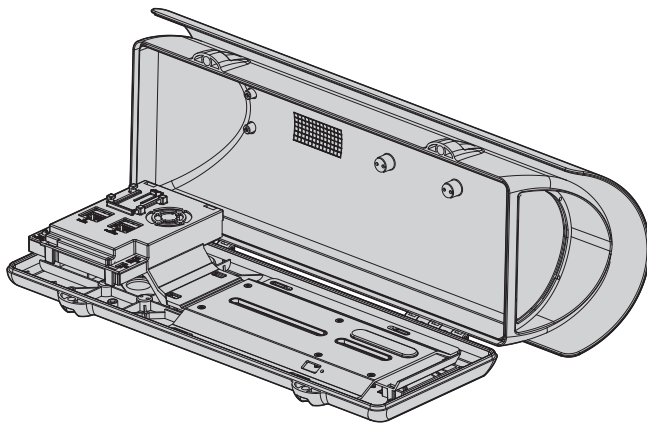
DE Deutsch - Bedienungsanleitung

RU Русский - Руководство по эксплуатации



VERSO Hi-PoE IPM

Polycarbonate housing with IPM technology for IP cameras



Contents

1 About this manual	3
1.1 Typographical conventions.....	3
2 Notes on copyright and information on trademarks.....	3
3 Safety rules.....	3
4 Identification.....	4
4.1 Product description and type designation.....	4
4.2 Product markings	4
5 Preparing the product for use	5
5.1 Unpacking and contents.....	5
5.1.1 Unpacking.....	5
5.1.2 Contents.....	5
5.2 Safely disposing of packaging material.....	5
5.3 Preparatory work before installation	5
5.3.1 Attaching the bracket	5
6 Assembling and installing	6
6.1 Installation.....	6
6.1.1 How to open the housing.....	6
6.1.2 Removal of the slide	6
6.1.3 Cable glands assembly.....	6
6.1.4 Installation of the GEKO IRH illuminator (optional).....	6
6.1.5 Brackets and adaptors	7
6.1.1 Installation of the version with double filter for air renewal.....	7
6.1.2 Ethernet cable installation	7
6.1.3 How to install the camera.....	8
6.1.4 Connection of the GEKO IRH illuminator (optional)	8
6.1.5 PoE cable connection.....	9
6.1.6 Connection of the blower with double filter for air renewal (optional)	9
7 Configuration.....	9
8 Switching on	10
9 Maintaining and cleaning	11
9.1 Maintaining.....	11
9.1.1 Kit for upgrading of the systems.....	11
9.2 Cleaning	11
9.2.1 Window and plastic cover cleaning	11
10 Disposal of waste materials.....	12
11 Technical data	12
11.1 General.....	12
11.2 Mechanical.....	12
11.1 Electrical	12
11.2 Environment.....	12
11.3 Certifications.....	12
12 Technical drawings	13

1 About this manual

Before installing and using this unit, please read this manual carefully. Be sure to keep it handy for later reference.

1.1 Typographical conventions



DANGER!

High level hazard.

Risk of electric shock. Disconnect the power supply before proceeding with any operation, unless indicated otherwise.



CAUTION!

Medium level hazard.

This operation is very important for the system to function properly. Please read the procedure described very carefully and carry it out as instructed.



INFO

Description of system specifications.

We recommend reading this part carefully in order to understand the subsequent stages.

2 Notes on copyright and information on trademarks

The quoted names of products or companies are trademarks or registered trademarks.

3 Safety rules



CAUTION! The device must be installed only and exclusively by qualified technical personnel.

- CAUTION! The electrical system to which the unit is connected must be equipped with a automatic bipolar circuit breaker. The circuit breaker for main supply voltage phase units must have a level of intervention of 20A max. The circuit breaker for low voltage units must have a level of intervention of 6A max. This circuit breaker must be of the Listed type. The minimum distance between the contacts must be 3mm (0.1in). The circuit breaker must be provided with protection against the fault current towards the ground (differential) and the overcurrent (magnetothermal).
- The manufacturer declines all responsibility for any damage caused by an improper use of the appliances mentioned in this manual. Furthermore, the manufacturer reserves the right to modify its contents without any prior notice. The documentation contained in this manual has been collected with great care. The manufacturer, however, cannot take any liability for its use. The same thing can be said for any person or company involved in the creation and production of this manual.
- Before starting any operation, make sure the power supply is disconnected.
- Do not use cables that seem worn or old.
- Never, under any circumstances, make any changes or connections that are not shown in this handbook. Improper use of the appliance can cause serious hazards, risking the safety of personnel and of the installation.
- Use only original spare parts. Non-original spare parts could cause fire, electrical discharge or other hazards.
- Before proceeding with installation, check the supplied material to make sure it corresponds to the order specification by examining the identification labels (4.2 Product markings, page 4).
- This device was designed to be permanently installed on a building or on a suitable structure. The device must be installed permanently before any operation.
- When installing the device, comply with all the national standards.

- Any device which could be installed inside the product must comply with the current safety standards.
- If the installation is NEMA TYPE 4X, the installer must replace the cable glands of the product with NEMA TYPE 4X cable glands.
- For all connections, use cables that are able to withstand temperatures of at least 75°C (167°F).
- The product is designed to house only cameras that are properly certified (7W max).
- A disconnecting device, readily and easily accessible, must be incorporated in the electrical system of the building for rapid intervention.
- Installation category (also called Overvoltage Category) specifies the level of mains voltage surges that the equipment will be subjected to. The category depends upon the location of the equipment, and on any external surge protection provided. Equipment in an industrial environment, directly connected to major feeders/short branch circuits, is subjected to Installation Category III. If this is the case, a reduction to Installation Category II is required. This can be achieved by use of an insulating transformer with an earthed screen between primary and secondary, or by fitting listed Surge Protective Devices (SPDs) from live to neutral and from neutral to earth. Listed SPDs shall be designed for repeated limiting of transient voltage surges, suitable rated for operating voltage and designated as follows: Type 2 (Permanently connected SPDs intended for installation on the load side of the service equipment overcurrent device); Nominal Discharge Current (In) 20kA min. For example: FERRAZ SHAWMUT, STT2240SPG-CN, STT2BL240SPG-CN rated 120Vac/240Vac, (In=20kA). Maximum distance between installation and reduction is 5m.
- To connect the power supply line use the appropriate junction-box (UPTJBUL). For further information, refer to the product use and installation manual.
- Use Listed copper tube crimping lugs for the connection of the network conductors to the terminals. The copper tube crimping lugs must be suitable for the type of installation (from -20°C (-4°F) a +80°C (+176°F) min., V-0). Copper tube crimping lugs examples: RP, BP o YP (Cembre).
- Power supply to the product must be exclusively provided by the PoE cable (Power over Ethernet).

4 Identification

4.1 Product description and type designation

The VERSO Hi-PoE IPM housing exploits in an optimal way the POE and Hi-POE technology, using the power supplied by the Ethernet cable as the sole source of power for all the devices connected, thus ensuring the maximum efficiency and flexibility of the network system as well as user-friendly installation and low costs.

The innovative IPM (Intelligent Power Management) system enables extremely quick and easy installation with the use of a single Ethernet connecting cable.

The Hi-POE IPM system automatically detects all the options, like heating, fan and illuminator and then autonomously balances the power to ensure suitable distribution of the same to the connected devices. This guarantees the optimal operation of the IP camera between -30°C (-22°F) and +60°C (140°F), with heat regulation and cold start (activation at low temperature).

The analog system, with previously installed camera housings, can be retrofitted on IPM system simply by changing the slide and the internal electronics. This enables the digital conversion, speeding up the installation and thereby minimizing costs and environmental impact.

4.2 Product markings

See the label attached to the product.

5 Preparing the product for use



Any change that is not expressly approved by the manufacturer will invalidate the guarantee.

5.1 Unpacking and contents

5.1.1 Unpacking

When the product is delivered, make sure that the package is intact and that there are no signs that it has been dropped or scratched.

If there are obvious signs of damage, contact the supplier immediately.

Keep the packaging in case you need to send the product for repairs.

5.1.2 Contents

Check the contents to make sure they correspond with the list of materials as below:

- Housing
- RJ45 wiring
- Housing equipment:
 - Allen wrench
 - Spacers
 - Cable glands gaskets
 - Cable glands (x3)
 - Bolts and screws
 - Screws for camera
- Instructions manual

5.2 Safely disposing of packaging material

The packaging material can all be recycled. The installer technician will be responsible for separating the material for disposal, and in any case for compliance with the legislation in force where the device is to be used.

When returning a faulty product we recommend using the original packaging for shipping.

5.3 Preparatory work before installation

5.3.1 Attaching the bracket



The product must be fastened with suitable equipment. The fastening means must guarantee the mechanical seal when a force equal to at least 4 times the weight of the device is applied.

6 Assembling and installing

! The assembly and installation must be performed only by skilled personnel.

! The product may be interfaced with devices not manufactured by VIDEOTEC. VIDEOTEC recommends a test prior to installation. VIDEOTEC will not be liable for any installation costs or lost revenues in the event a compatibility problem will occur.

6.1 Installation

6.1.1 How to open the housing

Loosen the 2 screws on the side, turn the cover and the upper half of the body about the opening hinge axis.

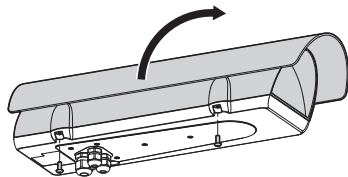


Fig. 1

i At the end of installation and cabling operations close the housing.

6.1.2 Removal of the slide

To remove the slide it is necessary to unscrew the fixing screws as shown in figure.

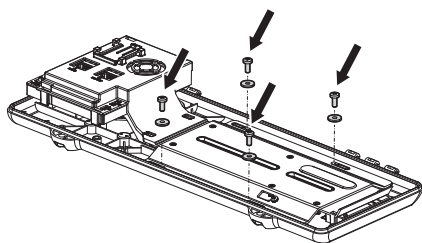


Fig. 2

6.1.3 Cable glands assembly

i For the internal cable routing brackets it is necessary to use the sealing ring kit (OWBIP). The reduced space does not allow the use of the supplied cable glands. The kit must be bought separately.

Inside the supply are 3 cable glands that must be installed at the bottom of the housing as shown in figure. The cable glands that are not used must be sealed with the cap to avoid water entering the housing.

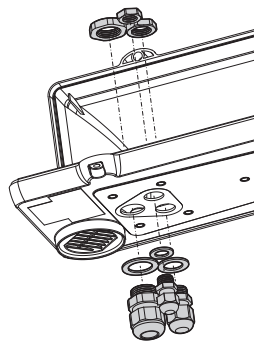


Fig. 3

6.1.4 Installation of the GEKO IRH illuminator (optional)

! Maximum power of the illuminator must not exceed 6W.

i To install the illuminator it is necessary to use the illuminator bracket (OSUPPIR). The kit must be bought separately.

Use the cable glands or the smallest sealing ring to avoid water entering the housing.

For installation information on the illuminator on housing refer to the product's use and installation manual.

For further details on configuration and use refer to the relative chapter (6.1.4 Connection of the GEKO IRH illuminator (optional), page 8).

6.1.5 Brackets and adaptors

The product cannot be fixed to a bracket or adaptor. For further information refer to the product's technical data sheet or directly contact VIDEOTECH.

6.1.1 Installation of the version with double filter for air renewal

i During installation pay attention to the orientation of the air inlet filter fins.

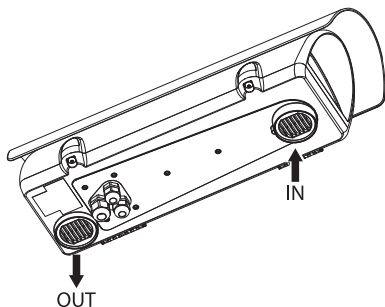


Fig. 4

Depending on the angle of inclination of the housing, the orientation of the filter fins must prevent water penetrating in case of rain:

To guarantee the weatherproof, install the housing on the support following the inclination limits as shown in the picture.

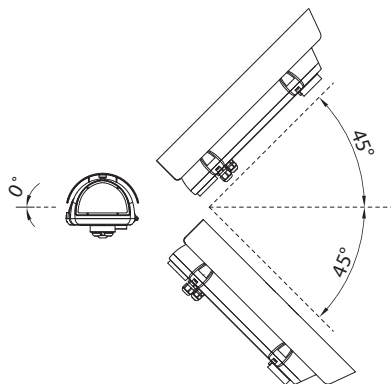


Fig. 5 Maximum tilt of the transversal axis: 0°.
Maximum tilt of the longitudinal axis: $\pm 45^\circ$.

6.1.2 Ethernet cable installation

Insert the Ethernet cable in the gasket and block it as shown in figure.

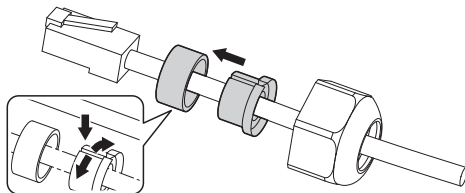


Fig. 6

Fit the gasket (01) to the cable gland M20 (02). Fasten the cable gland to the bottom of the housing (03) using the M20 nut (04).



Pay attention to the fixing. Tightening torque: 7Nm.

Pass the cable with connector RJ45 (05) through the M20 cable gland (02). Tighten the cable gland plug (06).

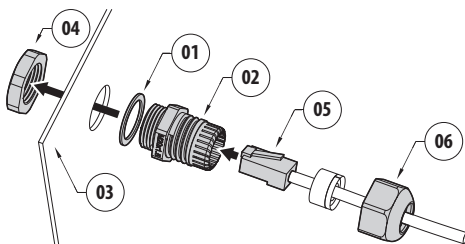


Fig. 7

6.1.3 How to install the camera



The correct operation of the equipment, within the temperature range indicated, is guaranteed only if you use camera and lens with temperature limits equal to at least -10°C and $+60^{\circ}\text{C}$.



It is possible to install only PoE type cameras.

Mount the camera using the supplied screws (01) and spacers (02).

Apply at least one spacer to guarantee electrical isolation between the slide and the camera.

Position the camera lens close to the glass to avoid visual interference or optical reflections.

Connect the camera to the J2 connector (PoE OUT) with the supplied cable (03).

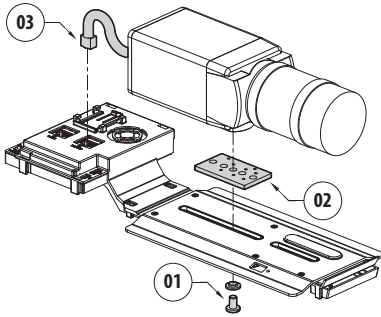


Fig. 8

Refit the slide in its housing and fix the screws and washers previously removed.

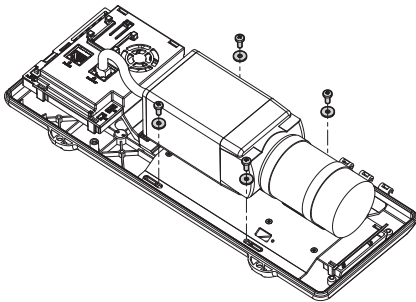


Fig. 9

6.1.4 Connection of the GEKO IRH illuminator (optional)

Connect the illuminator to the J6 terminal as described in the diagram below.

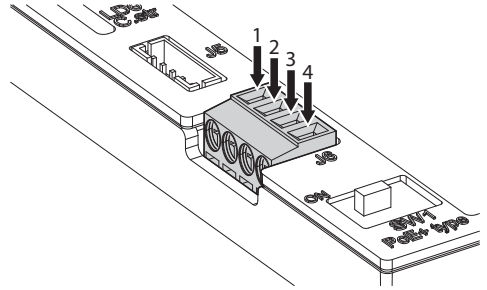


Fig. 10

CONNECTION OF THE GEKO IRH ILLUMINATOR

Illuminator	Terminal J6
Brown (telemetry)	1
Blue (telemetry)	2
White (supply)	3
Black (supply)	4

Tab. 1

To adjust the lighting threshold of the illuminator refer to the product's use and installation manual.

6.1.5 PoE cable connection

Connect the PoE cable from the Power Injector to the J1 connector.

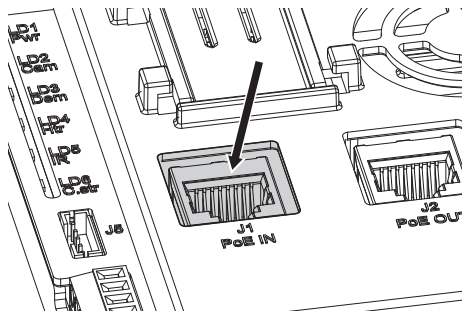


Fig. 11

Before powering the device, you must set the maximum power consumption of the housing operating on dip switch SW1 (7 Configuration, page 9).

6.1.6 Connection of the blower with double filter for air renewal (optional)

Connect the fan cable to the J4 connector.

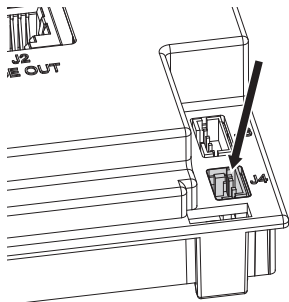


Fig. 12

7 Configuration

Before powering the device, you must set the maximum power consumption of the housing operating on dip switch SW1.

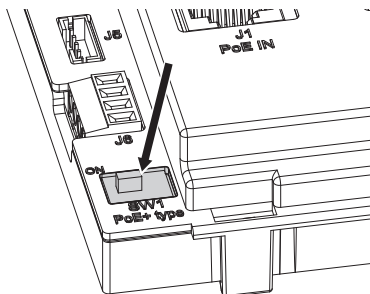


Fig. 13

ABSORBED POWER CONFIGURATION	
SW1	Maximum power
OFF	PoE class 3 (13W max)
ON	Hi-PoE class 4 (25W max)

Tab. 2

According to the absorbed power, the system can supply the options described in the table (Tab. 3, page 10).

VERSO HI-POE IPM AVAILABLE MODELS AND FEATURES

Operating temperature	Injector	Camera	Demisting system	Illuminator	Heater	Fan with double air filter
-10°C / +60°C (14°F / 140°F)	PoE class 3 (13W)	PoE max. class 2 (7W)	✓	–	–	✓
	Hi-PoE class 4 (25W)	PoE max. class 3 (13W)	✓	✓	–	✓
-10°C / +50°C (14°F / 122°F)	PoE class 3 (13W)	PoE max. class 2 (7W)	✓	–	–	–
	Hi-PoE class 4 (25W)	PoE max. class 3 (13W)	✓	✓	–	–
-30°C / +50°C (-22°F / +122°F)	Hi-PoE class 4 (25W)	PoE max. class 3 (13W)	✓	–	✓	–

Tab. 3

8 Switching on



The automatic pre-heating (De-Ice) process could be started whenever the device is switched on and the air temperature is below 0°C. This process is used to ensure that the device works properly even at low temperatures. The duration ranges between 60 and 120 minutes, depending on conditions.

During the lighting phase the device reads the status of the dip switch and automatically detects all the connected options for the correct energy management of the housing.

The LEDs shown in the figure allow to check the product's operating status.

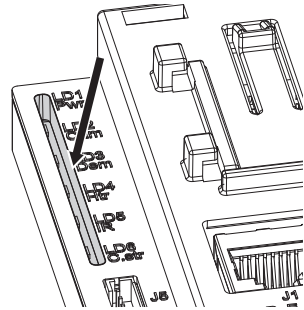


Fig. 14

Refer to the table to identify the operating status.

OPERATING STATUS		
LED	LED Status	Apparatus Status
LD1 (Power supply)	Off	The device is not powered
	On	The device is correctly powered
LD2 (Camera)	Off	The camera is not connected or Cold Start is active
	On	The camera is correctly powered
	1 flashing	The camera has a low identification resistance
	2 flashings	The camera has a high identification resistance
	5 flashings	The camera has an excessive energy consumption
	9 flashings	The camera requires more energy than the available
LD3 (Demisting)	Off	Demisting was not correctly detected
	1 flashing	Standard demisting is inactive
	2 flashings	The anti-ice system (optional) is inactive
	On	Demisting, or anti-ice system, is in function
LD4 (Heater)	Off	Heating is not available or power available is not sufficient
	1 flashing	Heating is inactive
	On	Heating is active
LD5 (Illuminator)	Off	The illuminator (optional) is not detected or the available power is not sufficient
	1 flashing	The illuminator is correctly powered (illuminator activation is controlled by its photocell)
LD6 (Delayed activation)	Off	Heating is not available
	1 flashing	The pre-heating procedure is inactive
	On	The pre-heating procedure is underway

Tab. 4

9 Maintaining and cleaning

9.1 Maintaining

9.1.1 Kit for upgrading of the systems

Remove the slide (01), the electronic board (02) and the heating (03).

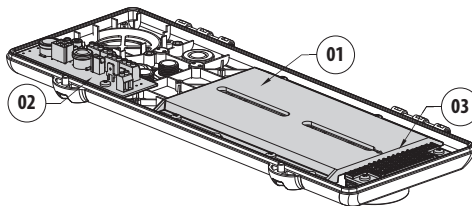


Fig. 15

If the housing is provided with blower with double filter for air renewal it is also necessary to replace the blower with those equipped in the kit.

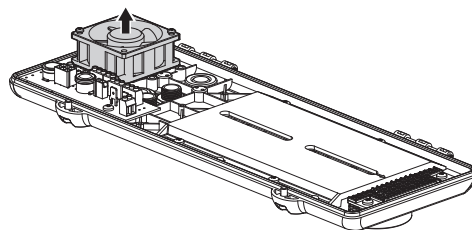


Fig. 16

For kit installation information refer to chapter 6 Assembling and installing, page 6.

9.2 Cleaning

9.2.1 Window and plastic cover cleaning



Avoid ethyl alcohol, solvents, hydrogenated hydrocarbide, strong acid and alkali. Such products may irreparably damage the surface.

We recommend using a soft cloth with neutral soaps diluted with water or specific products to clean the glasses lenses.

10 Disposal of waste materials



This symbol mark and recycle system are applied only to EU countries and not applied to the countries in the other area of the world.

Your product is designed and manufactured with high quality materials and components which can be recycled and reused.

This symbol means that electrical and electronic equipment, at their end-of-life, should be disposed of separately from your household waste.

Please dispose of this equipment at your local Community waste collection or Recycling centre.

In the European Union there are separate collection systems for used electrical and electronic products.

11 Technical data

11.1 General

Entirely made of technopolymer (polycarbonate), RAL9002 colour

Sunshield in ABS

Epoxypolyester powder painting, RAL9002 colour

Stainless steel external screws

11.2 Mechanical

Cable glands: 1xM12, 1xM16, 1xM20

Polycarbonate window (WxH): 105x64mm (4.1x2.5in)

Internal usable area (WxHxL): 70x70x230mm (2.7x2.7x9.0in)

Unit weight: 1.6kg (3.5lb)

11.1 Electrical

Power absorbed in input: PoE class 3 (13W) or Hi-PoE class 4 (25W) selectable with dip switch

Available power for camera (PoE IN class 3): PoE Class 2 (7W)

Available power for camera (Hi-PoE IN class 4): PoE class 3 (13W) with Ton -10°C ±2°C "cold start" function

Data line: 10/100Base-T

Illuminator GEKO IRH, low power: 6W

Heater: 8W, electronically controlled, Ton 20°C±2°C (68°F±4°F), Toff 23°C±2°C (73.4°F±4°F)

Fan with thermostat for camera cooling for versions with double air filter: Ton 35°C±2°C (95°F±4°F), Toff 32°C±2°C (89.6°F±4°F)

Demisting with forced hot air: 5W

Compatible with IEEE 802.3af, IEEE 802.3at/PoE Plus

Compatible with the Power Injector (OHEPOWINJ: VIDEOTEC optional accessory)

11.2 Environment

Indoor/Outdoor

Operating temperature: From -10° (14°F) a +60°C (140°F)

Operating temperature (with heater): From -30°C (-22°F) a +60°C (140°F)

Chemical agents resistance

- High resistance: basics, alcohols, gas, hydrocarbon
- Good resistance: Organic acids, inorganic acids, oils
- Low resistance: Solvents

11.3 Certifications

Electrical safety (CE): EN60950-1

Electromagnetic compatibility (CE): EN50130-4, EN61000-6-4

IP protection degree: EN60529

- IP66/IP67 (with cable glands)
- IP66/IP67 (with special gaskets and bracket with internal cable channel)
- IP55 (with bracket with internal cable channel)
- IP44 (for models with double filter for ventilation)

Impact resistance: EN62262, IK10

UL certification:

- cULus Listed, TYPE 4X (except for versions with double filter for the air exchange)
- UL94, V1 (fire-self extinguish)

EAC certification

12 Technical drawings

i The dimensions of the drawings are in millimetres.

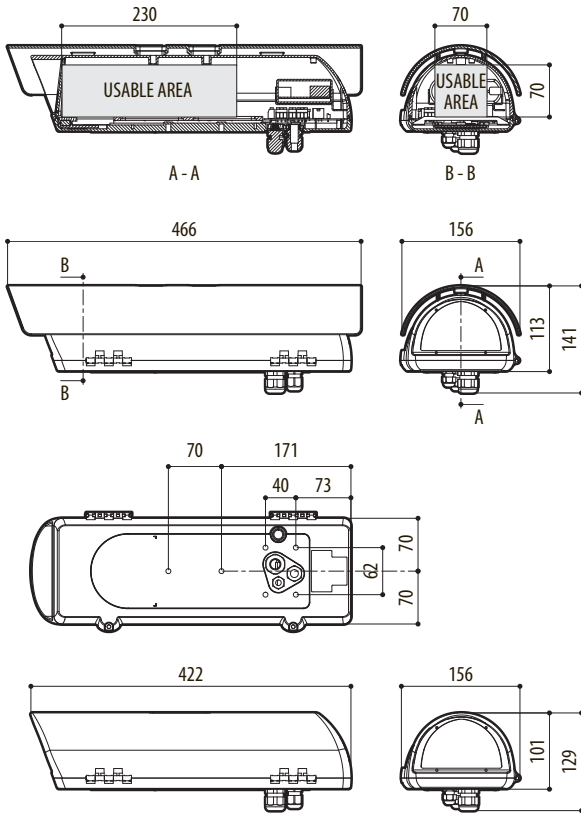


Fig. 17 VERSO Hi-PoE IPM.

Headquarters Italy Videotec S.p.A.

Via Friuli, 6 - I-36015 Schio (VI) - Italy

Tel. +39 0445 697411 - Fax +39 0445 697414

Email: info@videotec.com

Asia Pacific Videotec (HK) Ltd

Flat 8, 19/F. On Dak Industrial Building, No. 2-6 Wah Sing Street

Kwai Chung, New Territories - Hong Kong

Tel. +852 2333 0601 - Fax +852 2311 0026

Email: info.hk@videotec.com

France Videotec France SARL

Immeuble Le Montreal, 19bis Avenue du Québec, ZA de Courtaboeuf
91140 Villebon sur Yvette - France

Tel. +33 1 60491816 - Fax +33 1 69284736

Email: info.fr@videotec.com

Americas Videotec Security, Inc.

Gateway Industrial Park, 35 Gateway Drive, Suite 100
Plattsburgh, NY 12901 - U.S.A.

Tel. +1 518 825 0020 - Fax +1 518 825 0022

Email: info.usa@videotec.com - www.videotec.us



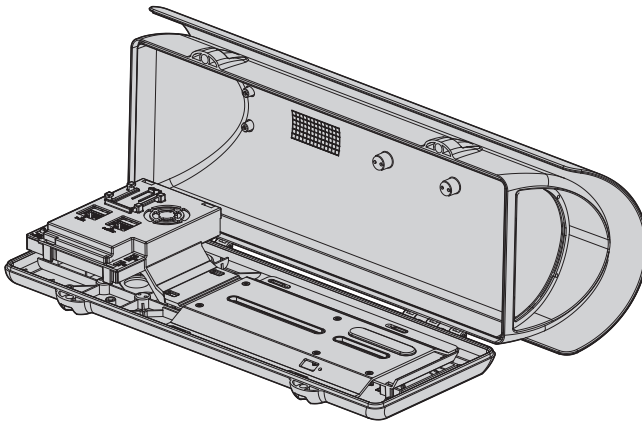
www.videotec.com

MNVCHPVHPOE_1511_EN



VERSO Hi-PoE IPM

Custodia in policarbonato con tecnologia IPM per telecamere IP



Sommario

1 Informazioni sul presente manuale	3
1.1 Convenzioni tipografiche	3
2 Note sul copyright e informazioni sui marchi commerciali.....	3
3 Norme di sicurezza	3
4 Identificazione	4
4.1 Descrizione e designazione del prodotto.....	4
4.2 Marcatura del prodotto	4
5 Preparazione del prodotto per l'utilizzo.....	5
5.1 Disimballaggio e contenuto	5
5.1.1 Disimballaggio.....	5
5.1.2 Contenuto	5
5.2 Smaltimento in sicurezza dei materiali di imballaggio.....	5
5.3 Lavoro preparatorio prima dell'installazione.....	5
5.3.1 Fissaggio del supporto	5
6 Assemblaggio e installazione.....	6
6.1 Installazione.....	6
6.1.1 Apertura della custodia.....	6
6.1.2 Rimozione della slitta.....	6
6.1.3 Assemblaggio dei pressacavi	6
6.1.4 Installazione dell'illuminatore GEKO IRH (opzionale).....	6
6.1.5 Supporti e adattatori	7
6.1.1 Installazione della versione con doppio filtro per ricambio dell'aria.....	7
6.1.2 Installazione del cavo Ethernet	7
6.1.3 Installazione della telecamera	8
6.1.4 Collegamento dell'illuminatore GEKO IRH (opzionale).....	8
6.1.5 Collegamento del cavo PoE	9
6.1.6 Collegamento del ventilatore con doppio filtro per il ricambio dell'aria (opzionale)	9
7 Configurazione	9
8 Accensione	10
9 Manutenzione e pulizia.....	11
9.1 Manutenzione.....	11
9.1.1 Kit per ammodernamento degli impianti.....	11
9.2 Pulizia.....	11
9.2.1 Pulizia del vetro e delle parti in plastica	11
10 Smaltimento dei rifiuti	12
11 Dati tecnici	12
11.1 Generale	12
11.2 Meccanica	12
11.1 Elettrico.....	12
11.2 Ambiente.....	12
11.3 Certificazioni	12
12 Disegni tecnici	13

1 Informazioni sul presente manuale

Prima di installare e utilizzare questa unità, leggere attentamente questo manuale. Conservare questo manuale a portata di mano come riferimento futuro.

1.1 Convenzioni tipografiche



PERICOLO!

Pericolosità elevata.

Rischio di scosse elettriche. Prima di eseguire qualsiasi operazione assicurarsi di togliere tensione al prodotto, salvo diversa indicazione.



ATTENZIONE!

Pericolosità media.

L'operazione è molto importante per il corretto funzionamento del sistema. Si prega di leggere attentamente la procedura indicata e di eseguirla secondo le modalità previste.



INFO

Descrizione delle caratteristiche del sistema.

Si consiglia di leggere attentamente per comprendere le fasi successive.

2 Note sul copyright e informazioni sui marchi commerciali

I nomi di prodotto o di aziende citati sono marchi commerciali o marchi commerciali registrati appartenenti alle rispettive società.

3 Norme di sicurezza



ATTENZIONE! L'installazione e la manutenzione del dispositivo deve essere eseguita solo da personale tecnico qualificato.

- **ATTENZIONE!** L'impianto elettrico al quale è collegata l'unità deve essere dotato di un interruttore di protezione bipolare automatico. L'interruttore per le unità a tensione di rete deve avere un livello di intervento di 20A max. L'interruttore per le unità a bassa tensione deve avere un livello di intervento di 6A max. Tale interruttore deve essere di tipo Listed. La distanza minima tra i contatti deve essere di 3mm. L'interruttore deve essere provvisto di protezione contro la corrente di guasto verso terra (differenziale) e la sovracorrente (magnetotermico).
- Il produttore declina ogni responsabilità per eventuali danni derivanti da un uso improprio delle apparecchiature menzionate in questo manuale. Si riserva inoltre il diritto di modificarne il contenuto senza preavviso. Ogni cura è stata posta nella raccolta e nella verifica della documentazione contenuta in questo manuale. Il produttore, tuttavia, non può assumersi alcuna responsabilità derivante dall'utilizzo della stessa. Lo stesso dicasi per ogni persona o società coinvolta nella creazione e nella produzione di questo manuale.
- Prima di eseguire qualsiasi operazione assicurarsi di togliere tensione al prodotto.
- Non utilizzare cavi con segni di usura o invecchiamento.
- Non effettuare per nessun motivo alterazioni o collegamenti non previsti in questo manuale. L'uso di apparecchi non idonei può portare a gravi pericoli per la sicurezza del personale e dell'impianto.
- Utilizzare solo parti di ricambio originali. Pezzi di ricambio non originali potrebbero causare incendi, scariche elettriche o altri pericoli.
- Prima di procedere con l'installazione, controllare che il materiale fornito corrisponda alle specifiche richieste esaminando le etichette di marcatura (4.2 Marcatura del prodotto, pagina 4).
- Questo dispositivo è stato progettato per essere installato in maniera permanente su un edificio o su una struttura adeguata. Il dispositivo deve essere installato in maniera permanente prima di effettuare qualsiasi operazione.
- Si devono rispettare le normative nazionali per l'installazione del dispositivo.

- Ogni dispositivo che può essere installato all'interno del prodotto deve essere conforme alle norme di sicurezza attuali.
- Se l'installazione deve essere di tipo NEMA TYPE 4X, l'installatore deve sostituire i pressacavi del prodotto con dei pressacavi di tipo NEMA TYPE 4X.
- Per tutte le connessioni, utilizzare cavi idonei a sopportare temperature di almeno 75°C.
- Il prodotto è progettato per alloggiare solo telecamere opportunamente certificate (7W max).
- Un dispositivo di scollegamento, prontamente e facilmente accessibile, deve essere incorporato nell'impianto elettrico dell'edificio per un intervento rapido.
- La categoria di installazione (detta anche categoria di sovratensione) specifica i livelli della tensione transitoria di rete alla quale l'apparato è soggetto. La categoria dipende dal luogo di installazione e dalla presenza di dispositivi di protezione contro le sovratensioni. Un dispositivo per ambienti industriali, connesso ai rami principali dell'impianto di alimentazione è soggetto alla categoria di installazione III. Se questo è il caso, è richiesta una riduzione alla categoria II. Ciò può essere ottenuto utilizzando un trasformatore di isolamento con schermatura connessa a terra tra il primario ed il secondario, o tramite l'impiego di dispositivi di protezione contro le sovratensioni (SPD), UL listed, connessi tra la fase ed il neutro a tra il neutro e terra. I dispositivi SPD UL listed, dovranno essere predisposti per limitare sovratensioni transitorie in modo ripetitivo e per la seguenti condizioni nominali di funzionamento: Tipo 2 (Dispositivi SPD connessi permanentemente alla rete di alimentazione, per installazioni dal lato del carico del dispositivo di servizio); Corrente nominale di scarica (In) 20kA minimi. Si possono utilizzare ad esempio: FERRAZ SHAWMUT, ST23401PG-CN, ST240SPG-CN specificati per 120Vac/240Vac, (In=20kA). La distanza massima tra l'installazione e la riduzione è di 5m.
- Per la connessione della linea di alimentazione utilizzare l'apposita scatola di connessione (UPTJ BUL). Per ulteriori informazioni fare riferimento al manuale d'uso ed installazione del prodotto.
- Utilizzare dei capicorda Listed per la connessione dei conduttori di rete ai morsetti. I capicorda devono essere adeguati al tipo di installazione (da -20°C a +80°C min., V-0). Esempi di capicorda: RP, BP o YP (Cembre).
- L'alimentazione del prodotto deve essere fornita esclusivamente dal cavo PoE (Power over Ethernet).

4 Identificazione

4.1 Descrizione e designazione del prodotto

La custodia VERSO Hi-PoE IPM sfrutta in maniera ottimale la tecnologia POE e HI-POE, utilizzando la potenza resa disponibile dal cavo Ethernet come unica fonte di alimentazione per tutti i dispositivi gestiti e ottenere così una maggiore affidabilità e flessibilità dell'impianto network oltre alla semplificazione nelle operazioni d'installazione e riduzione dei costi.

Grazie all'innovativo sistema IPM (Intelligent Power Management), si semplifica e si riducono sensibilmente i tempi di installazione con l'utilizzo di un unico cavo Ethernet per il collegamento.

In automatico il sistema HI-POE IPM rileva tutte le opzioni presenti, come riscaldamento, ventilatore e illuminatore, per poi effettuare autonomamente un bilanciamento della potenza e quindi un'adeguata distribuzione della stessa ai dispositivi collegati. Viene così assicurato un funzionamento ottimale della telecamera IP da -30°C a +60°C, con termoregolazione e cold start (avvio a basse temperature).

Il sistema IPM offre la possibilità di retrofit su impianti analogici con custodie già installate, con il semplice cambio di alloggiamento ed elettronica interna. Questo permette la conversione in digitale, ottimizzando i tempi di realizzo dell'installazione con conseguente riduzione dei costi e dell'impatto ambientale.

4.2 Marcatura del prodotto

Vedere l'etichetta posta sul prodotto.

5 Preparazione del prodotto per l'utilizzo



Qualsiasi cambiamento non espressamente approvato dal costruttore fa decadere la garanzia.

5.1 Disimballaggio e contenuto

5.1.1 Disimballaggio

Alla consegna del prodotto verificare che l'imballo sia integro e non abbia segni evidenti di cadute o abrasioni.

In caso di evidenti segni di danno all'imballo contattare immediatamente il fornitore.

Conservare l'imballo nel caso sia necessario inviare il prodotto in riparazione.

5.1.2 Contenuto

Controllare che il contenuto sia corrispondente alla lista del materiale sotto elencata:

- Custodia
- Cablaggio RJ45
- Dotazione per custodia:
 - Chiave a brugola
 - Distanziali
 - Guarnizioni per pressacavi
 - Pressacavi (x3)
 - Viteria
 - Viti per telecamera
- Manuale di istruzioni

5.2 Smaltimento in sicurezza dei materiali di imballaggio

I materiali d'imballo sono costituiti interamente da materiale riciclabile. Sarà cura del tecnico installatore smaltirli secondo le modalità di raccolta differenziata o comunque secondo le norme vigenti nel Paese di utilizzo.

In caso di restituzione del prodotto malfunzionante è consigliato l'utilizzo dell'imballaggio originale per il trasporto.

5.3 Lavoro preparatorio prima dell'installazione

5.3.1 Fissaggio del supporto



Il prodotto deve essere fissato con mezzi adeguati. I mezzi di fissaggio devono garantire la tenuta meccanica applicando una forza pari almeno a 4 volte il peso complessivo dell'apparecchiatura.

6 Assemblaggio e installazione



L'assemblaggio e l'installazione vanno eseguiti solo da personale qualificato.



Il prodotto può essere interfacciato con dispositivi non prodotti da VIDEOTEC. VIDEOTEC suggerisce un test prima di qualsiasi installazione. VIDEOTEC non è responsabile di qualsiasi ulteriore costo d'installazione nel caso di problemi di compatibilità.

6.1 Installazione

6.1.1 Apertura della custodia

Svitare le 2 viti poste sul fianco, far ruotare tettuccio e corpo superiore attorno all'asse delle cerniere di apertura.

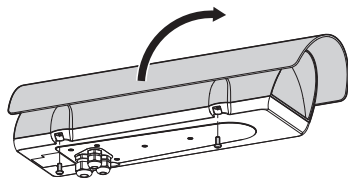


Fig. 1



Al termine delle operazioni di installazione e cablaggio richiudere la custodia.

6.1.2 Rimozione della slitta

Per la rimozione della slitta è necessario svitare le viti di fissaggio come illustrato in figura.

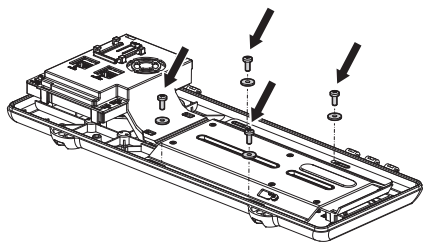


Fig. 2

6.1.3 Assemblaggio dei pressacavi



Con i supporti per passaggio cavi interno è necessario l'utilizzo del kit di anelli di tenuta (OWBIP). Lo spazio ridotto non permette l'utilizzo dei pressacavi forniti in dotazione. Il kit deve essere acquistato separatamente.

All'interno della dotazione sono presenti 3 pressacavi che devono essere installati sul fondo della custodia come illustrato in figura. I pressacavi non utilizzati devono essere sigillati con il tappo di chiusura per evitare l'ingresso di acqua nella custodia.

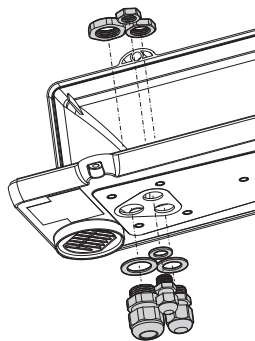


Fig. 3

6.1.4 Installazione dell'illuminatore GEKO IRH (opzionale)



La potenza massima dell'illuminatore non deve superare i 6W.



Per l'installazione dell'illuminatore è necessario l'utilizzo del supporto per illuminatore (OSUPPIR). Il kit deve essere acquistato separatamente.

Utilizzare il pressacavo o l'anello di tenuta più piccolo per evitare l'ingresso di acqua nella custodia.

Per l'installazione dell'illuminatore su custodia fare riferimento al manuale d'uso ed installazione del prodotto.

Per ulteriori dettagli sulla configurazione e l'utilizzo fare riferimento al relativo capitolo (6.1.4 Collegamento dell'illuminatore GEKO IRH (opzionale), pagina 8).

6.1.5 Supporti e adattatori

Il prodotto può essere fissato ad un supporto o adattatore. Per maggiori informazioni fare riferimento alla scheda tecnica del prodotto o contattare direttamente VIDEOTEC.

6.1.1 Installazione della versione con doppio filtro per ricambio dell'aria

i Durante l'installazione prestare attenzione all'orientamento delle alette del filtro di ingresso dell'aria.

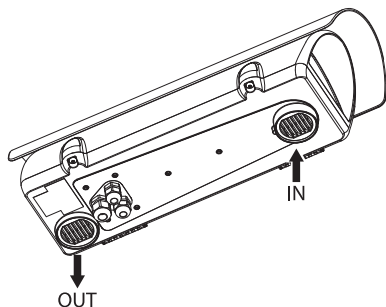


Fig. 4

A seconda dell'angolo di inclinazione della custodia, l'orientamento delle alette del filtro deve prevenire la penetrazione di acqua in caso di pioggia.

Al fine di garantire il grado di protezione, installare la custodia al supporto rispettando i limiti di inclinazione riportati in figura.

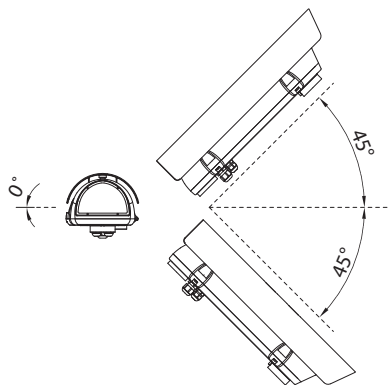


Fig. 5 Massima inclinazione dell'asse trasversale: 0°.
Massima inclinazione dell'asse longitudinale: ±45°.

6.1.2 Installazione del cavo Ethernet

Inserire il cavo Ethernet nella guarnizione e bloccare il tutto come illustrato in figura.

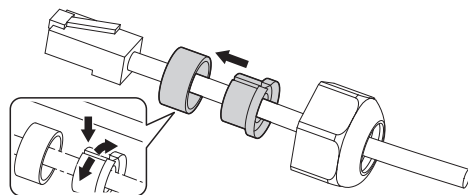


Fig. 6

Assemblare la guarnizione (01) al pressacavo M20 (02). Fissare il pressacavo al fondo custodia (03) tramite il dado M20 (04).

**⚠ Prestare attenzione durante il fissaggio.
Coppia di serraggio: 7Nm.**

Far passare il cavo con connettore RJ45 (05) attraverso il pressacavo M20 (02). Avvitare il tappo del pressacavo (06).

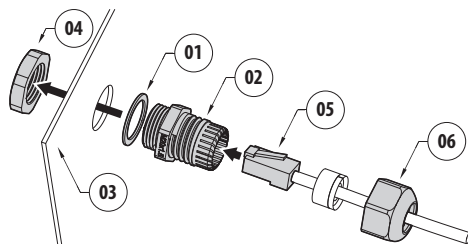


Fig. 7

6.1.3 Installazione della telecamera



Il corretto funzionamento dell'apparecchiatura, nel range di temperatura indicato, è garantito solo se si utilizzano telecamera ed ottica con limiti di temperatura pari ad almeno -10°C e + 60°C.



È possibile installare solo telecamere di tipo PoE.

Fissare la telecamera utilizzando le viti (01) e i distanziali (02) forniti in dotazione.

Applicare almeno un distanziale per garantire l'isolamento elettrico tra la slitta e la telecamera.

Posizionare la lente della telecamera a ridosso del vetro per evitare interferenza visiva o riflessi ottici.

Collegare la telecamera al connettore J2 (PoE OUT) con il cavo fornito in dotazione (03).

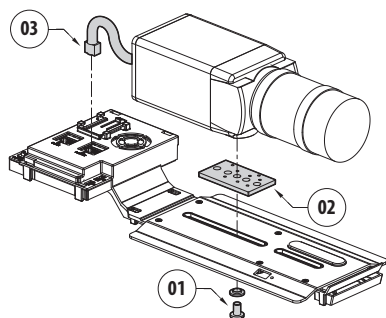


Fig. 8

Riposizionare la slitta nel proprio alloggiamento e fissare le viti e rondelle precedentemente rimosse.

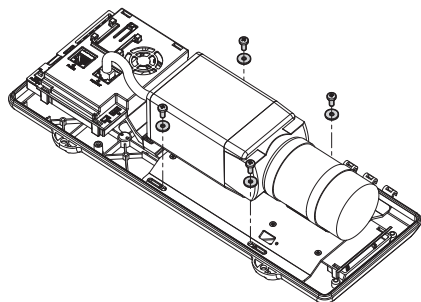


Fig. 9

6.1.4 Collegamento dell'illuminatore GEKO IRH (opzionale)

Collegare l'illuminatore al morsetto J6 come descritto nello schema sottostante.

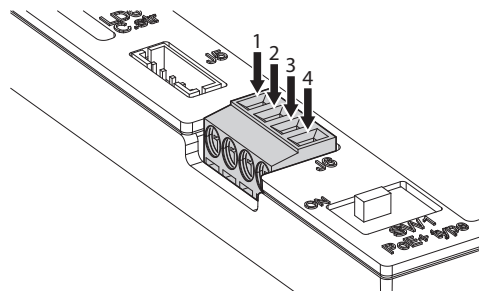


Fig. 10

COLLEGAMENTO ILLUMINATORE GEKO IRH

Illuminatore	Morsetto J6
Marrone (telemetria)	1
Blu (telemetria)	2
Bianco (alimentazione)	3
Nero (alimentazione)	4

Tab. 1

Per la regolazione della soglia di accensione dell'illuminatore fare riferimento al manuale d'uso ed installazione del prodotto.

6.1.5 Collegamento del cavo PoE

Collegare il cavo PoE proveniente dal Power Injector al connettore J1.

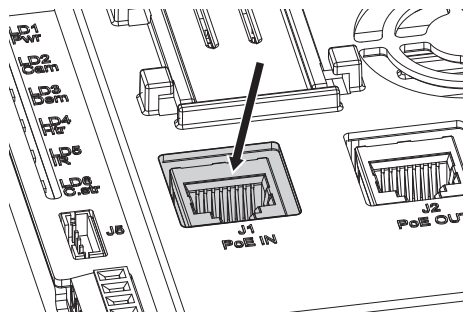


Fig. 11

Prima di alimentare il dispositivo è necessario impostare la potenza massima assorbita dalla custodia agendo sul dip-switch SW1 (7 Configurazione, pagina 9).

6.1.6 Collegamento del ventilatore con doppio filtro per il ricambio dell'aria (opzionale)

Collegare il cavo del ventilatore al connettore J4.

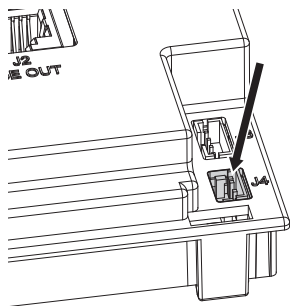


Fig. 12

7 Configurazione

Prima di alimentare il dispositivo è necessario impostare la potenza massima assorbita dalla custodia agendo sul dip-switch SW1.

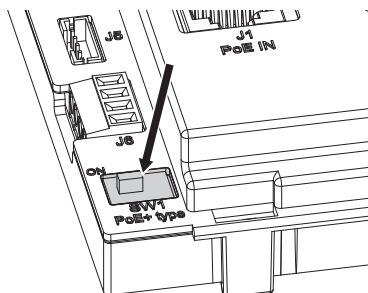


Fig. 13

CONFIGURAZIONE POTENZA ASSORBITA	
SW1	Potenza massima
OFF	PoE classe 3 (13W max)
ON	Hi-PoE classe 4 (25W max)

Tab. 2

In base alla potenza assorbita il sistema può alimentare le opzioni descritte in tabella (Tab. 3, pagina 10).

VERSO HI-POE IPM MODELLI DISPONIBILI E CARATTERISTICHE

Temperatura d'esercizio	Injector	Telecamera	Disappannatore	Illuminatore	Riscaldamento	Ventilatore con doppio filtro aria
-10°C / +60°C	PoE classe 3 (13W)	PoE max. classe 2 (7W)	✓	–	–	✓
	Hi-PoE classe 4 (25W)	PoE max. classe 3 (13W)	✓	✓	–	✓
-10°C / +50°C	PoE classe 3 (13W)	PoE max. classe 2 (7W)	✓	–	–	–
	Hi-PoE classe 4 (25W)	PoE max. classe 3 (13W)	✓	✓	–	–
-30°C / +50°C	Hi-PoE classe 4 (25W)	PoE max. classe 3 (13W)	✓	–	✓	–

Tab. 3

8 Accensione

i La procedura di preriscaldamento automatico (De-Ice) si potrebbe attivare tutte le volte che il dispositivo viene acceso ad una temperatura ambiente inferiore a 0°C. La procedura serve a garantire la corretta funzionalità del dispositivo anche alle basse temperature. La durata varia tra 60 e 120 minuti a seconda delle condizioni.

Durante la fase di accensione il dispositivo legge lo stato del dip-switch e rileva in modo automatico tutte le opzioni collegate per la corretta gestione energetica della custodia.

I LED illustrati in figura permettono in qualsiasi momento di verificare lo stato di funzionamento del prodotto.

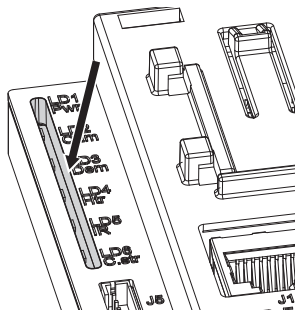


Fig. 14

Fare riferimento alla tabella per identificare lo stato di funzionamento.

STATO DI FUNZIONAMENTO		
LED	Stato LED	Stato Apparato
LD1 (Alimentazione)	Spento	Il dispositivo non è alimentato
	Acceso	Il dispositivo è alimentato correttamente
LD2 (Telecamera)	Spento	La telecamera non è connessa o è attivo il Cold Start
	Acceso	La telecamera è alimentata in modo corretto
	1 lampeggio	La telecamera ha una resistenza di identificazione bassa
	2 lampeggi	La telecamera ha una resistenza di identificazione alta
	5 lampeggi	La telecamera ha un consumo eccessivo
	9 lampeggi	La telecamera richiede più potenza di quella disponibile
LD3 (Disappannamento)	Spento	Il disappannamento non è stato rilevato correttamente
	1 lampeggio	Il disappannamento standard è inattivo
	2 lampeggi	Il sistema anti-ghiaccio (opzionale) è inattivo
	Acceso	Il disappannamento o sistema anti-ghiaccio è in funzione
LD4 (Riscaldamento)	Spento	Il riscaldamento non è disponibile o la potenza disponibile non è sufficiente
	1 lampeggio	Il riscaldamento è inattivo
	Acceso	Il riscaldamento è attivo
LD5 (Illuminatore)	Spento	L'illuminatore (opzionale) non è stato rilevato o la potenza disponibile non è sufficiente
	1 lampeggio	L'illuminatore è alimentato correttamente (l'attivazione dell'illuminatore viene controllata dalla fotocellula dello stesso)
LD6 (Accensione ritardata)	Spento	Il riscaldamento non è disponibile
	1 lampeggio	La procedura di pre-riscaldamento è inattiva
	Acceso	La procedura di pre-riscaldamento è in funzione

Tab. 4

9 Manutenzione e pulizia

9.1 Manutenzione

9.1.1 Kit per ammodernamento degli impianti

Rimuovere la slitta (01), la scheda elettronica (02) e il riscaldamento (03).

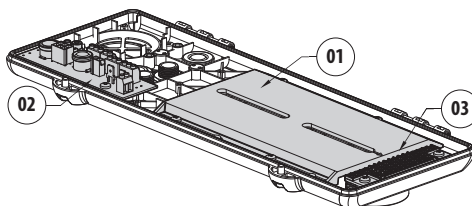


Fig. 15

Se la custodia è provvista di ventilatore con doppio filtro per il ricambio dell'aria è necessario sostituire anche il ventilatore con quello fornito nel kit.

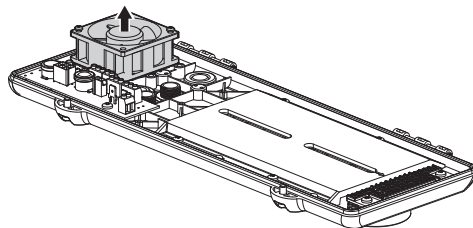


Fig. 16

Per l'installazione del kit fare riferimento al capitolo 6 Assemblaggio e installazione, pagina 6.

9.2 Pulizia

9.2.1 Pulizia del vetro e delle parti in plastica



Evitare alcool etilico, solventi, idrocarburi idrogenati, acidi forti e alcali. L'utilizzo di detti prodotti danneggia in modo irreparabile la superficie trattata.

Si consiglia di utilizzare un panno morbido con saponi neutri diluiti con acqua o prodotti specifici per la pulizia delle lenti degli occhiali.

10 Smaltimento dei rifiuti



Questo simbolo e il sistema di riciclaggio sono validi solo nei paesi dell'EU e non trovano applicazione in altri paesi del mondo.

Il vostro prodotto è costruito con materiali e componenti di alta qualità, che sono riutilizzabili o riciclabili.

Prodotti elettrici ed elettronici che riportano questo simbolo, alla fine dell'uso, devono essere smaltiti separatamente dai rifiuti casalinghi.

Vi preghiamo di smaltire questo apparecchio in un Centro di raccolta o in un'Ecostazione.

Nell'Unione Europea esistono sistemi di raccolta differenziata per prodotti elettrici ed elettronici.

11 Dati tecnici

11.1 Generale

Costruita in resistente tecnopolimero (policarbonato), colore RAL9002

Tettuccio in ABS

Verniciatura a polveri di epossipoliestere, colore RAL9002

Viteria esterna in acciaio inox

11.2 Meccanica

Pressacavi: 1xM12, 1xM16, 1xM20

Finestra in policarbonato (WxH): 105x64mm

Dimensioni utili interne (WxHxL): 70x70x230mm

Peso unitario: 1.6kg

11.1 Elettrico

Potenza assorbita in ingresso: PoE classe 3 (13W) oppure Hi-PoE classe 4 (25W) selezionabile da dip-switch

Potenza disponibile per telecamera (PoE IN classe 3): PoE classe 2 (7W)

Potenza disponibile per telecamera (Hi-PoE IN classe 4): PoE classe 3 (13W) con funzione "cold start" Ton -10°C ±2°C

Linea dati: 10/100Base-T

Illuminatore GEKO IRH a bassa potenza: 6W

Riscaldamento: 8W, controllato elettronicamente, Ton 20°C±2°C, Toff 23°C±2°C

Ventilatore termostato per raffreddamento della telecamera per versioni con doppio filtro: Ton 35°C±2°C, Toff 32°C±2°C

Disappannamento ad aria calda forzata: 5W

Compatibile con IEEE 802.3af, IEEE 802.3at/PoE Plus

Compatibile con Power Injector (OHEPOWINJ: accessorio opzionale VIDEOTECH)

11.2 Ambiente

Interno/Esterno

Temperatura di esercizio: Da -10°C a +60°C

Temperatura di esercizio (con riscaldamento): Da -30°C a +60°C

Resistenza agli agenti chimici

- Alta resistenza: Basi, alcoli, gas, idrocarburi
- Buona resistenza: Acidi organici, acidi inorganici, olii
- Bassa resistenza: Solventi

11.3 Certificazioni

Sicurezza elettrica (CE): EN60950-1

Compatibilità elettromagnetica (CE): EN50130-4, EN61000-6-4

Grado di protezione IP: EN60529

- IP66/IP67 (con pressacavi)
- IP66/IP67 (con passaggio interno cavi con anelli di tenuta)
- IP55 (con supporto con passaggio interno cavi)
- IP44 (per modelli con doppio filtro per ventilazione)

Grado di protezione IK: EN62262, IK10

Certificazione UL:

- cULus Listed, TYPE 4X (ad eccezione delle versioni con doppio filtro per il ricambio dell'aria)
- UL94, V1 (autoestinguenza)

Certificazione EAC

12 Disegni tecnici

i Le dimensioni dei disegni sono espresse in millimetri.

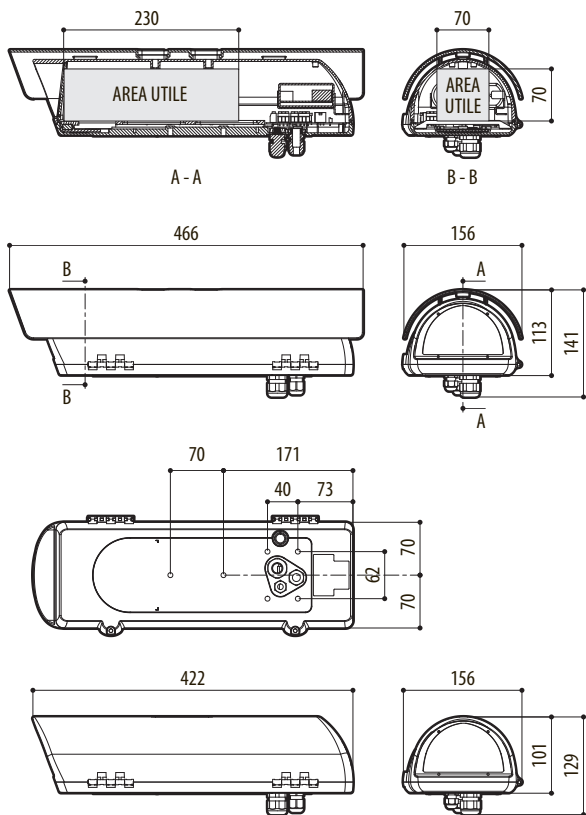


Fig. 17 VERSO Hi-PoE IPM.

Headquarters Italy Videotec S.p.A.

Via Friuli, 6 - I-36015 Schio (VI) - Italy

Tel. +39 0445 697411 - Fax +39 0445 697414

Email: info@videotec.com

Asia Pacific Videotec (HK) Ltd

Flat 8, 19/F. On Dak Industrial Building, No. 2-6 Wah Sing Street

Kwai Chung, New Territories - Hong Kong

Tel. +852 2333 0601 - Fax +852 2311 0026

Email: info.hk@videotec.com

France Videotec France SARL

Immeuble Le Montreal, 19bis Avenue du Québec, ZA de Courtaboeuf
91140 Villebon sur Yvette - France

Tel. +33 1 60491816 - Fax +33 1 69284736

Email: info.fr@videotec.com

Americas Videotec Security, Inc.

Gateway Industrial Park, 35 Gateway Drive, Suite 100
Plattsburgh, NY 12901 - U.S.A.

Tel. +1 518 825 0020 - Fax +1 518 825 0022

Email: info.usa@videotec.com - www.videotec.us



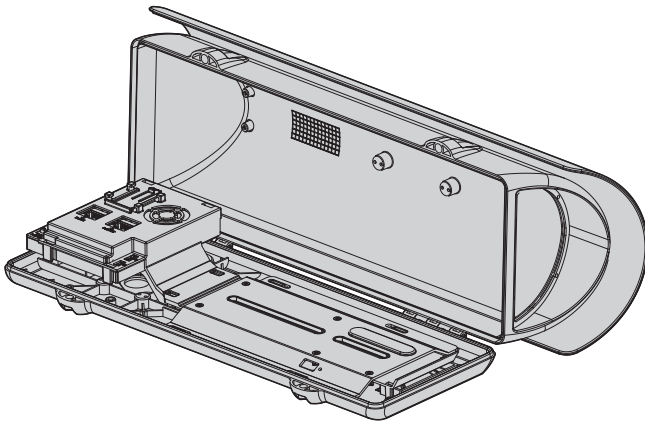
www.videotec.com

MNVCHPVHPOE_1511_IT



VERSO Hi-PoE IPM

Caisson en polycarbonate avec technologie IPM pour caméras IP



Sommaire

1 À propos de ce mode d'emploi	3
1.1 Conventions typographiques	3
2 Notes sur le copyright et informations sur les marques de commerce	3
3 Normes de sécurité.....	3
4 Identification.....	4
4.1 Description et désignation du produit	4
4.2 Marquage du produit.....	4
5 Préparation du produit en vue de l'utilisation.....	5
5.1 Déballage et contenu.....	5
5.1.1 Déballage	5
5.1.2 Contenu	5
5.2 Élimination sans danger des matériaux d'emballage.....	5
5.3 Opérations à effectuer avant l'installation.....	5
5.3.1 Fixation du support	5
6 Assemblage et installation	6
6.1 Installation.....	6
6.1.1 Ouverture du caisson.....	6
6.1.2 Retrait de la glissière.....	6
6.1.3 Assemblage des presse-étoupes.....	6
6.1.4 Installation du projecteur GEKO IRH (en option)	6
6.1.5 Supports et adaptateurs	7
6.1.1 Installation de la version avec double filtre pour le changement d'air.....	7
6.1.2 Installation du câble Ethernet.....	7
6.1.3 Installation de la caméra	8
6.1.4 Branchement du projecteur GEKO IRH (en option).....	8
6.1.5 Branchement du câble PoE.....	9
6.1.6 Branchement du ventilateur avec double filtre pour le changement d'air (en option).....	9
7 Configuration.....	9
8 Allumage	10
9 Entretien et nettoyage	11
9.1 Entretien.....	11
9.1.1 Kit pour modernisation des systèmes.....	11
9.2 Nettoyage	11
9.2.1 Entretien de la vitre et des parties en plastique	11
10 Élimination des déchets.....	12
11 Données techniques.....	12
11.1 Généralités.....	12
11.2 Mécanique	12
11.1 Électrique	12
11.2 Environnement	12
11.3 Certifications.....	12
12 Dessins techniques.....	13

1 À propos de ce mode d'emploi

Avant d'installer et d'utiliser cet appareil, veuillez lire attentivement ce mode d'emploi. Conservez-le à portée de main pour pouvoir vous y reporter en cas de besoin.

1.1 Conventions typographiques



DANGER!

Risque élevé.

Risque de choc électrique. Sauf indication contraire, sectionner l'alimentation avant de procéder à toute opération.



ATTENTION!

Risque moyen.

Opération extrêmement importante en vue d'un fonctionnement correct du système; lire avec attention les opérations indiquées et s'y conformer rigoureusement.



REMARQUE

Description des caractéristiques du système. Il est conseillé de procéder à une lecture attentive pour une meilleure compréhension des phases suivantes.

2 Notes sur le copyright et informations sur les marques de commerce

Les noms de produit ou de sociétés cités sont des marques de commerce ou des marques de commerce enregistrées.

3 Normes de sécurité



ATTENTION! L'installation et l'entretien du dispositif doivent être exclusivement effectués par un personnel technique qualifié.

- **ATTENTION!** L'installation électrique à laquelle l'unité est branchée doit être équipée d'un interrupteur de protection bipolaire automatique. L'interrupteur pour les unités à tension de rete doit avoir un niveau d'intervention de 20A max. L'interrupteur pour les unités à basse tension doit avoir un niveau d'intervention de 6A max. Cet interrupteur doit être de type Listed. La distance minimale entre les contacts doit être de 3mm. L'interrupteur doit être équipé de protection contre le courant de défaut vers la terre (différentiel) et le surintensité (magnétothermique).
- Le fabricant décline toute responsabilité pour les dommages éventuels dus à une utilisation non appropriée des appareils mentionnés dans ce manuel. On réserve en outre le droit d'en modifier le contenu sans préavis. La documentation contenue dans ce manuel a été rassemblée et vérifiée avec le plus grand soin. Le fabricant, cependant, ne peut assumer aucune responsabilité dérivant de l'emploi de celle là. La même chose vaut pour chaque personne ou société impliquées dans la création et la production de ce manuel.
- Sectionner l'alimentation avant de procéder à toute opération.
- Ne pas utiliser de câbles usés ou endommagés.
- Ne procéder sous aucun prétexte à des modifications ou des connexions non prévues dans ce manuel. L'utilisation d'appareils non adéquats peut comporter des dangers graves pour la sécurité du personnel et de l'installation.
- Utiliser uniquement des pièces de rechange d'origine. Les pièces non d'origine peuvent être source d'incendies, de choc électrique ou autres.
- Avant de procéder à l'installation, contrôler que le matériel fourni correspond à la commande et examiner les étiquettes de marquage (4.2 Marquage du produit, page 4).
- Cette appareil est conçu pour une installation permanente sur un bâtiment ou une structure adéquate. L'appareil doit être installé d'une façon permanente avant d'effectuer toute opération.
- Il faut respecter les législations nationales pour l'installation du dispositif.

- Chaque appareils pouvant être installés à l'intérieur du produit doivent être conformes aux normes de sécurité en vigueur.
- Si l'installation doit être de type NEMA TYPE 4X, l'installateur devra remplacer les presse-étoupes du produit avec des presse-étoupes de type NEMA TYPE 4X.
- Pour tous les branchements, utiliser les câbles spécifiques pouvant résister à des températures d'au moins 75°C.
- Le projet a été conçu pour ne loger que des caméras dûment certifiées (7W max).
- Un dispositif de déconnexion, rapide et facile d'accès, doit être incorporé dans le circuit électrique du bâtiment pour une intervention rapide.
- La catégorie d'installation (ou catégorie de surtension) spécifie les niveaux de la tension de secteur correspondant à l'appareil. La catégorie dépend du lieu d'installation et du dispositif de protection contre les surtensions installé. En cas d'environnement industriel directement connecté aux circuits de dérivation du système d'alimentation, l'équipement est classé dans la catégorie d'installation III. Dans ce cas, un déclassement à la catégorie II est nécessaire et peut être obtenu au moyen d'un transformateur d'isolement avec blindage électrostatique entre le primaire et le secondaire ou en utilisant des dispositifs de protection contre les surtensions (SPD) entre la phase et le neutre et entre le neutre et la terre. Les dispositifs SPD UL cités doivent être prévus pour limiter les surtensions transitoires en mode répétitif et pour les conditions nominales de fonctionnement suivantes : Type 2 (dispositifs SPD reliés en permanence au côté charge du côté du dispositif de protection contre les surintensités) ; courant nominal de décharge (In) 20kA min. Exemples d'utilisation possible : FERRAZ SHAWMUT, ST23401PG-CN, ST240SPG-CN spécifiés pour 120Vac/240Vca, (In=20kA). La distance maximale entre installation et réduction est de 5m.
- Pour raccorder la ligne d'alimentation utiliser le boîtier de connexion spécifique (UPTJBUL). Pour plus d'informations, se référer au manuel d'utilisation et d'installation du produit.
- Utiliser des cosses Listed pour relier les conducteurs de réseau aux bornes. Les cosses doit être appropriés au type d'installation (de -20°C à +80°C min., V-0). Exemples de cosses: RP, BP o YP (Cembre).
- L'alimentation du produit doit être fournie exclusivement par le câble PoE (Power over Ethernet).

4 Identification

4.1 Description et désignation du produit

Le caisson VERSO Hi-PoE IPM exploite de manière optimale la technologie POE et Hi-POE, en utilisant la puissance de sortie disponible à travers le câble Ethernet comme unique source d'alimentation pour tous les dispositifs gérés de manière à obtenir une plus grande fiabilité et flexibilité de l'installation network, en plus de la simplification des opérations d'installation et de la réduction des coûts.

Grâce au système innovant IPM (Intelligent Power Management), les temps d'installation sont réduits sensiblement par l'utilisation d'un câble Ethernet unique pour le raccordement.

Le système Hi-POE IPM détecte automatiquement toutes les options présentes, comme le chauffage, le ventilateur et le projecteur, pour effectuer ensuite de manière autonome un équilibrage de la puissance, et donc une distribution adéquate de celle-ci aux dispositifs raccordés. Cela garantit un fonctionnement optimal des caméras IP de -30°C à +60°C, avec régulation thermique et cold start (mise en marche à basse température).

Le système IPM offre la possibilité de retrofit sur les installations analogiques avec des caissons déjà installés, grâce au simple changement de la glissière et d'électronique interne. Ceci permet la conversion au format numérique, optimisant ainsi les temps de réalisation de l'installation, avec une réduction conséquente des coûts et de l'impact environnemental.

4.2 Marquage du produit

Voir l'étiquette positionné sur le produit.

5 Préparation du produit en vue de l'utilisation



Toute modification non approuvée expressément par le fabricant entraînera l'annulation de la garantie.

5.1 Déballage et contenu

5.1.1 Déballage

Lors de la livraison du produit, vérifier que l'emballage est en bon état et l'absence de tout signe évident de chute ou d'abrasion.

En cas de dommages évidents, contacter immédiatement le fournisseur.

Conserver l'emballage en cas de nécessité d'expédition du produit pour réparation.

5.1.2 Contenu

Contrôler que le contenu correspond à la liste matériel indiquée ci-dessous:

- Caisson
- Câblage RJ45
- Dotation pour caisson:
 - Clé Allen
 - Entretoises
 - Joints pour presse-étoupes
 - Presse-étoupes (x3)
 - Vis
 - Vis pour caméra
- Manuel d'instructions

5.2 Élimination sans danger des matériaux d'emballage

Le matériel d'emballage est entièrement composé de matériaux recyclables. Le technicien chargé de l'installation est tenu de l'éliminer conformément aux dispositions en matière de collecte sélective et selon les normes en vigueur dans le pays d'utilisation.

En cas de retour du produit défectueux, il est conseillé d'utiliser l'emballage original pour le transport.

5.3 Opérations à effectuer avant l'installation

5.3.1 Fixation du support



Le produit doit être fixé à l'aide des moyens appropriés. Les moyens de fixation doivent garantir l'étanchéité mécanique et appliquer une force égale au moins à 4 fois le poids total de l'appareil.

6 Assemblage et installation



L'assemblage et l'installation doivent être effectués par un personnel qualifié.



Le produit peut être interfacé avec des dispositifs pas manufacturé par VIDEOTEC. VIDEOTEC conseille par conséquent de procéder à un essai avant toute installation. VIDEOTEC décline toute responsabilité en cas de coûts d'installations supplémentaires entraînés par des problèmes de compatibilité.

6.1 Installation

6.1.1 Ouverture du caisson

Dévisser les 2 vis placées sur le côté, faire tourner le toit pare-soleil et le corps supérieur autour de l'axe des charnières d'ouverture.

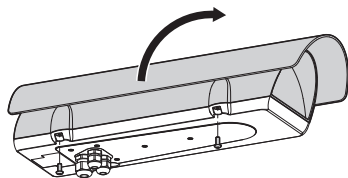


Fig. 1



Après l'installation et le câblage, fermer le caisson.

6.1.2 Retrait de la glissière

Pour retirer la glissière, il faut dévisser les vis de fixation comme illustré en figure.

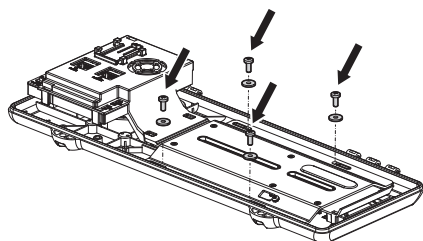


Fig. 2

6.1.3 Assemblage des presse-étoupes



Avec les supports pour passage des câbles interne, vous devez utiliser le kit de bagues d'étanchéité (OWBIP). L'espace réduit ne permet pas d'utiliser les presse-étoupes fournis avec l'équipement. Le kit doit être acheté séparément.

Dans les équipements, 3 presse-étoupes sont présents; ils doivent être installés au fond du caisson comme illustré en figure. Les presse-étoupes non utilisés doivent être scellés à l'aide du bouchon de fermeture afin d'éviter que de l'eau puisse rentrer dans le caisson.

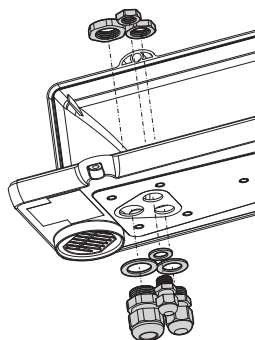


Fig. 3

6.1.4 Installation du projecteur GEKO IRH (en option)



La puissance maximale du projecteur ne doit pas dépasser les 6W.



Pour l'installation du projecteur, il faut utiliser le support pour projecteur (OSUPPIR). Le kit doit être acheté séparément.

Utiliser le presse-étoupe ou la bague d'étanchéité la plus petite afin d'éviter que de l'eau puisse rentrer dans le caisson.

Pour l'installation du projecteur sur le caisson, se référer au manuel d'utilisation et installation du produit.

Pour de plus amples informations quant à la configuration et l'utilisation, consulter le chapitre spécifique (6.1.4 Branchement du projecteur GEKO IRH (en option), page 8).

6.1.5 Supports et adaptateurs

Le produit peut être fixé à un support ou adaptateur. Pour de plus amples informations, se référer à la fiche technique du produit ou contacter directement VIDEOTEC.

6.1.1 Installation de la version avec double filtre pour le changement d'air

i Durant l'installation prêter l'installation à l'orientation des ailettes du filtre d'entrée de l'air.

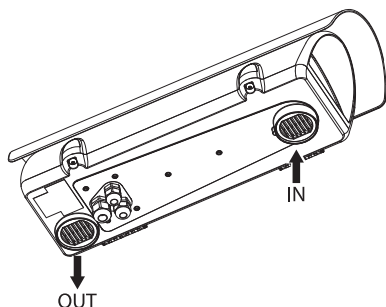


Fig. 4

Selon l'angle d'inclinaison de la gaine, l'orientation des ailettes du filtre doit empêcher à l'eau de pénétrer en cas de pluie.

Pour garantir un degré de protection, installer le caisson au support en respectant les limites d'inclinaison selon la figure.

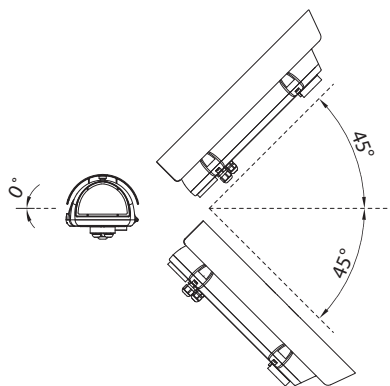


Fig. 5 Inclinaison maximale de l'axe transversal: 0°.
Inclinaison maximal de l'axe longitudinal: $\pm 45^\circ$.

6.1.2 Installation du câble Ethernet

Insérer le câble Ethernet dans le joint de protection et les bloquer comme illustré en figure.

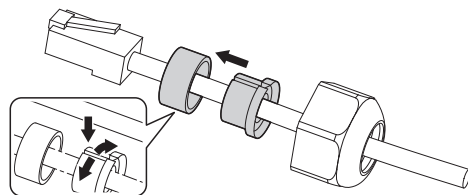


Fig. 6

Assembler la garniture (01) au presse-étoupe M20 (02). Fixer le presse-étoupe au fond du caisson (03) via l'écrou M20 (04).

! **Faire attention pendant la fixation. Couple de serrage: 7Nm.**

Faire passer le câble avec connecteur RJ45 (05) à travers le presse-étoupe M20 (02). Serrer le bouchon du presse-étoupe (06).

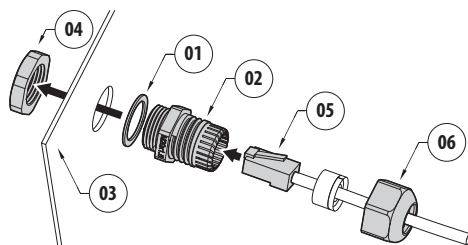


Fig. 7

6.1.3 Installation de la caméra



Le bon fonctionnement de l'unité, à l'intérieur de l'intervalle de température indiqué, est garanti uniquement si la caméra et le système optique sont utilisés avec un intervalle de température égal à min. -10°C et + 60°C.



Vous ne pouvez installer que des caméras de type PoE.

Fixer la caméra en utilisant les vis (01) et les entretoises (02) fournies avec l'équipement.

Appliquer au moins une entretoise afin de garantir l'isolement électrique entre la glissière et la caméra.

Placer la lentille de la caméra à l'abri du verre pour éviter toute interférence visuelle ou des reflets optiques.

Brancher la caméra au connecteur J2 (PoE OUT) à l'aide du câble fourni avec l'équipement (03).

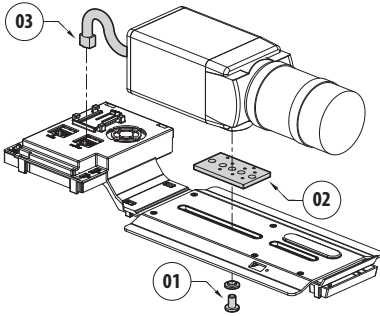


Fig. 8

Replacer la glissière dans son emplacement et fixer les vis et rondelles enlevé précédemment.

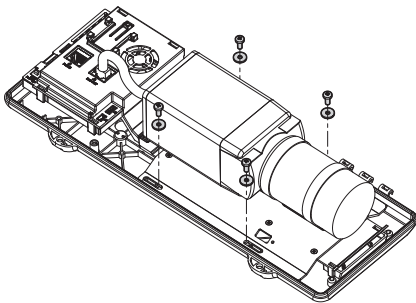


Fig. 9

6.1.4 Branchement du projecteur GEKO IRH (en option)

Brancher le projecteur à la borne J6 comme décrit dans le schéma ci-dessous.

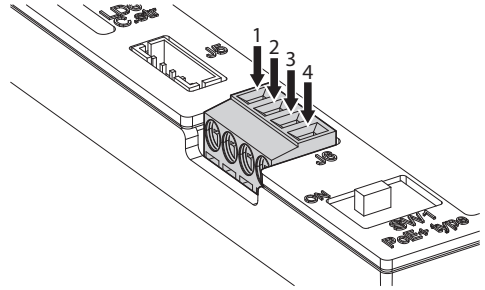


Fig. 10

BRANCHEMENT PROJECTEUR GEKO IRH	
Projecteur	Borne J6
Marron (télémétrie)	1
Bleue (télémétrie)	2
Blanc (alimentation)	3
Noir (alimentation)	4

Tab. 1

Pour le réglage du seuil d'allumage du projecteur, se référer au manuel d'utilisation et installation du produit.

6.1.5 Branchement du câble PoE

Brancher le câble PoE provenant de Power Injector au collecteur J1.

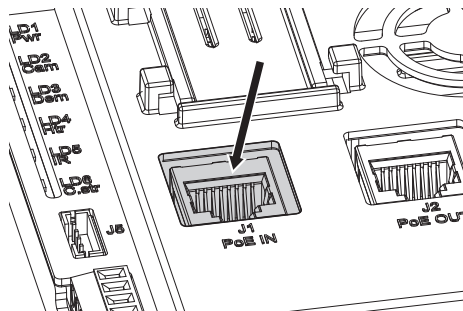


Fig. 11

Avant d'alimenter le dispositif, il faut régler la puissance maximale absorbée par le caisson en agissant sur le dip-switch SW1 (7 Configuration, page 9).

6.1.6 Branchement du ventilateur avec double filtre pour le changement d'air (en option)

Brancher le câble du ventilateur au connecteur J4.

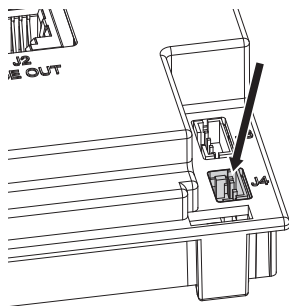


Fig. 12

7 Configuration

Avant d'alimenter le dispositif, il faut régler la puissance maximale absorbée par le caisson en agissant sur le dip-switch SW1.

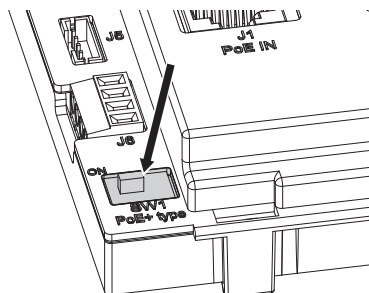


Fig. 13

CONFIGURATION PUISSANCE ABSORBÉE	
SW1	Puissance maximale
OFF	PoE classe 3 (13W max)
ON	Hi-PoE classe 4 (25W max)

Tab. 2

En fonction de la puissance absorbée, le système peut alimenter les options décrites dans le tableau (Tab. 3, page 10).

VERSO HI-POE IPM MODÈLES DISPONIBLES ET CARACTÉRISTIQUES

Température de fonctionnement:	Injecteur	Caméra	Désembueur	Projecteur	Chauffage	Ventilateur avec double filtre à air
-10°C / +60°C	PoE classe 3 (13W)	PoE max. classe 2 (7W)	✓	–	–	✓
	Hi-PoE classe 4 (25W)	PoE max. classe 3 (13W)	✓	✓	–	✓
-10°C / +50°C	PoE classe 3 (13W)	PoE max. classe 2 (7W)	✓	–	–	–
	Hi-PoE classe 4 (25W)	PoE max. classe 3 (13W)	✓	✓	–	–
-30°C / +50°C	Hi-PoE classe 4 (25W)	PoE max. classe 3 (13W)	✓	–	✓	–

Tab. 3

8 Allumage



La procédure de préchauffage automatique (De-Ice) peut être activée chaque fois que le dispositif est mis en fonction à une température ambiante inférieure à 0°C. La procédure permet de garantir un fonctionnement correct du dispositif également à basse température. La durée varie entre 60 et 120 minutes en fonction des conditions.

Lors de l'allumage, le dispositif lit l'état du dip-switch et relève automatiquement toutes les options reliées pour la bonne gestion énergétique du caisson.

Les LED illustrés sur la figure permettent à tout moment de vérifier l'état de fonctionnement du produit.

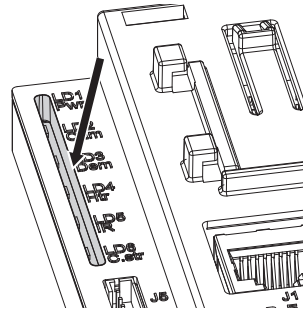


Fig. 14

Se référer au tableau afin d'identifier l'état de fonctionnement.

ÉTAT DE FONCTIONNEMENT		
LED	État LED	État Appareil
LD1 (Alimentation)	Éteint	Le dispositif n'est pas alimenté
	Allumé	Le dispositif est alimenté correctement
LD2 (Caméra)	Éteint	La caméra n'est pas branchée ou le Cold Start est actif
	Allumé	La caméra est alimentée correctement
	1 clignotement	La caméra a une résistance d'identification basse
	2 clignotements	La caméra a une résistance d'identification haute
	5 clignotements	La caméra consomme de manière excessive
	9 clignotements	La caméra demande plus de puissance par rapport à celle disponible
LD3 (Désembuage)	Éteint	Le désembuage n'a pas été détecté correctement
	1 clignotement	Le désembuage standard est inactif
	2 clignotements	Le système antigivrant (en option) est inactif
	Allumé	Le désembuage ou système antigivrant est en marche
LD4 (Chauffage)	Éteint	Le chauffage n'est pas disponible ou la puissance disponible est insuffisante
	1 clignotement	Le chauffage est inactif
	Allumé	Le chauffage est actif
LD5 (Projecteur)	Éteint	Le projecteur (en option) n'a pas été détecté ou la puissance disponible est insuffisante
	1 clignotement	Le projecteur est alimenté correctement (l'activation du projecteur est contrôlée par sa photocellule)
LD6 (Allumage retardé)	Éteint	Le chauffage n'est pas disponible
	1 clignotement	La procédure de préchauffage est inactive
	Allumé	La procédure de préchauffage est en marche

Tab. 4

9 Entretien et nettoyage

9.1 Entretien

9.1.1 Kit pour modernisation des systèmes

Retirer la glissière (01), la carte électronique (02) et le chauffage (03).

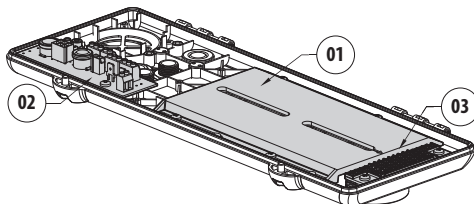


Fig. 15

Si le caisson est équipé de ventilateur avec double filtre, il faut remplacer le ventilateur par celui fourni dans le kit.

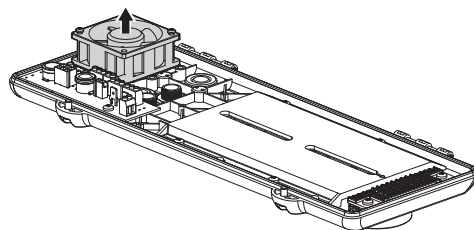


Fig. 16

Pour l'installation du kit, se référer au chapitre 6 Assemblage et installation, page 6.

9.2 Nettoyage

9.2.1 Entretien de la vitre et des parties en plastique



On doit éviter alcool éthylique, solvants, hydrocarbures hydro-génés, acides forts et alcali. L'emploi de ce type de produits abîme d'une façon irréparable la surface traitée.

Il est conseillé d'utiliser un chiffon souple avec des savons neutres dilués avec de l'eau ou des produits spécifiques pour le nettoyage des verres des lunettes.

10 Élimination des déchets



Ce symbole et le système de recyclage ne sont appliqués que dans les pays UE et non dans les autres pays du monde.

Votre produit est conçu et fabriqué avec des matériels et des composants de qualité supérieure qui peuvent être recyclés et réutilisés.

Ce symbole signifie que les équipements électriques et électroniques en fin de vie doivent être éliminés séparément des ordures ménagères.

Nous vous prions donc de confier cet équipement à votre Centre local de collecte ou Recyclage.

Dans l'Union Européenne, il existe des systèmes sélectifs de collecte pour les produits électriques et électroniques usagés.

11 Données techniques

11.1 Généralités

Construction en technopolymère (polycarbonate), couleur RAL9002

Double toit en ABS

Vernissage avec poudres époxypolyester, couleur RAL9002

Visserie extérieure en acier inox

11.2 Mécanique

Presse-étoupes: 1xM12, 1xM16, 1xM20

Fenêtre en polycarbonate (WxH): 105x64mm

Surface intérieure utile (WxHxL): 70x70x230mm

Poids net: 1.6kg

11.1 Électrique

Puissance absorbée en entrée: PoE classe 3 (13W) ou Hi-PoE classe 4 (25W) sélectionnable par dip switch

Puissance disponible pour caméra (PoE IN classe 3): PoE Classe 2 (7W)

Puissance disponible pour caméra (Hi-PoE IN classe 4): PoE classe 3 (13 W) avec fonction « cold start » Ton -10°C ±2°C

Ligne données: 10/100Base-T

Projecteur GEKO IRH basse puissance: 6W

Chauffage: 8W, contrôlé électroniquement, Ton 20°C±2°C, Toff 23°C±2°C

Ventilateur avec thermostat pour le refroidissement de la caméra pour les versions avec double filtre: Ton 35°C±2°C, Toff 32°C±2°C

Désembuage à air chaud forcé: 5W

Compatible avec IEEE 802.3af, IEEE 802.3at/PoE Plus

Compatible avec le Power Injector à PoE (OHEPOWINJ): accessoire VIDEOTEC en option)

11.2 Environnement

Intérieur/Extérieur

Température de fonctionnement: De -10° a +60°C

Température de fonctionnement (avec chauffage): De -30°C a +60°C

Résistance aux agents chimiques

- Haute résistance: bases, alcools, gaz, hydrocarbures
- Bonne résistance: Acides organiques, acides inorganiques, huiles
- Basse résistance: Solvants

11.3 Certifications

Sécurité électrique (CE): EN60950-1

Compatibilité électromagnétique (CE): EN50130-4, EN61000-6-4

Degré de protection IP: EN60529

- IP66/IP67 (avec presse-étoupes)
- IP66/IP67 (avec support avec passage interne des câbles et avec anneaux d'étanchéité)
- IP55 (avec support avec passage interne des câbles)
- IP44 (pour modèle avec double filtre pour ventilation)

Résistance aux impacts: EN62262, IK10

Certification UL:

- cULus Listed, TYPE 4X (à l'exception des versions avec double filtre pour l'échange d'air)
- UL94, V1 (auto-extinction)

Certification EAC

12 Dessins techniques

i Les dimensions des dessins sont exprimées en millimètres.

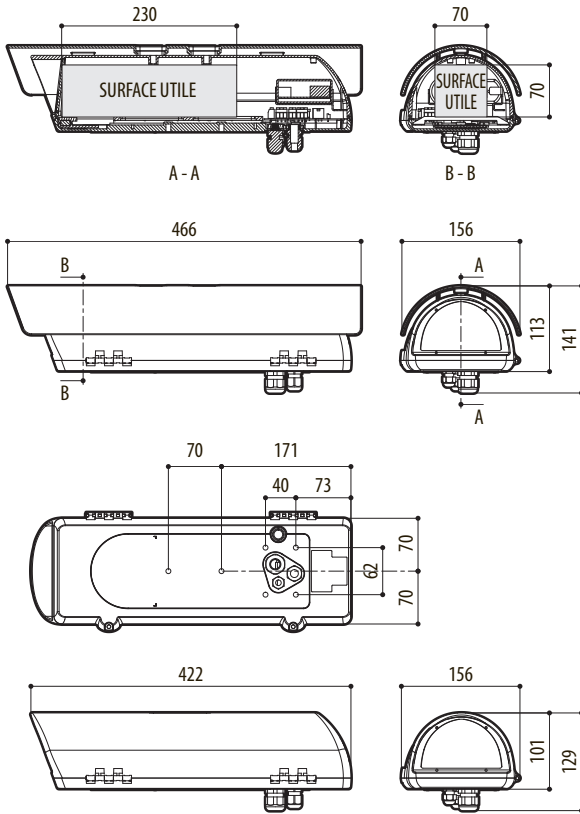


Fig. 17 VERSO Hi-PoE IPM.

Headquarters Italy Videotec S.p.A.

Via Friuli, 6 - I-36015 Schio (VI) - Italy

Tel. +39 0445 697411 - Fax +39 0445 697414

Email: info@videotec.com

Asia Pacific Videotec (HK) Ltd

Flat 8, 19/F. On Dak Industrial Building, No. 2-6 Wah Sing Street

Kwai Chung, New Territories - Hong Kong

Tel. +852 2333 0601 - Fax +852 2311 0026

Email: info.hk@videotec.com

France Videotec France SARL

Immeuble Le Montreal, 19bis Avenue du Québec, ZA de Courtaboeuf
91140 Villebon sur Yvette - France

Tel. +33 1 60491816 - Fax +33 1 69284736

Email: info.fr@videotec.com

Americas Videotec Security, Inc.

Gateway Industrial Park, 35 Gateway Drive, Suite 100
Plattsburgh, NY 12901 - U.S.A.

Tel. +1 518 825 0020 - Fax +1 518 825 0022

Email: info.usa@videotec.com - www.videotec.us



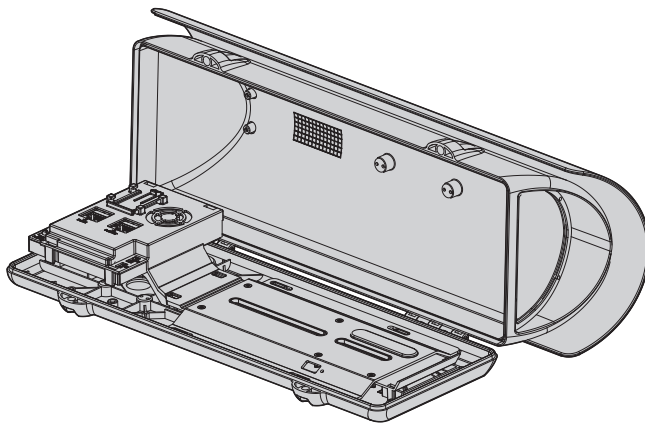
www.videotec.com

MNVCHPVHPOE_1511_FR



VERSO Hi-PoE IPM

Polykarbonat Gehäuse mit IPM-Technologie für IP-Videokameras



Inhaltsverzeichnis

1 Allgemeines	3
1.1 Schreibweisen.....	3
2 Anmerkungen zum Copyright und Informationen zu den Handelsmarken.....	3
3 Sicherheitsnormen	3
4 Identifizierung	4
4.1 Beschreibung und Bezeichnung des Produktes.....	4
4.2 Kennzeichnung des Produkts.....	4
5 Vorbereitung des Produktes auf den Gebrauch.....	5
5.1 Entfernen der Verpackung und Inhalt.....	5
5.1.1 Entfernen der Verpackung	5
5.1.2 Inhalt	5
5.2 Sichere Entsorgung der Verpackungsmaterialien	5
5.3 Auf die Installation vorbereitende Tätigkeiten.....	5
5.3.1 Befestigung der Halterung.....	5
6 Zusammenbau und Installation	6
6.1 Installation.....	6
6.1.1 Öffnung des Schutzgehäuse	6
6.1.2 Entfernen des Schlittens	6
6.1.3 Zusammenbau der Kabelverschraubungen.....	6
6.1.4 Installation des Scheinwerfers GEKO IRH (optional).....	6
6.1.5 Halterungen und Adaptermodule	7
6.1.1 Installation der Version mit Doppelfilter für den Luftaustausch	7
6.1.2 Installation des Ethernet-Kabels	7
6.1.3 Installation der Kamera	8
6.1.4 Anschluss des Scheinwerfers GEKO IRH (Sonderausstattung).....	8
6.1.5 Anschluss des PoE-Kabels.....	9
6.1.6 Anschluss des Lüfters mit Doppelfilter für den Luftaustausch (Sonderausstattung).....	9
7 Konfiguration.....	9
8 Einschaltung	10
9 Wartung und Reinigung.....	11
9.1 Wartung.....	11
9.1.1 Bausatz für die Modernisierung der Anlagen	11
9.2 Reinigung	11
9.2.1 Reinigung des Glases und der Kunststoffteile	11
10 Müllentsorgungsstellen.....	12
11 Technische Daten.....	12
11.1 Allgemeines.....	12
11.2 Mechanik.....	12
11.1 Elektrik.....	12
11.2 Umgebung	12
11.3 Zertifizierungen	12
12 Technische Zeichnungen.....	13

1 Allgemeines

Lesen Sie bitte vor dem Installieren und dem Verwenden dieses Gerätes die Bedienungsanleitung sorgfältig durch. Bewahren Sie sie zum späteren Nachschlagen auf.

1.1 Schreibweisen



GEFAHR!

Erhöhte Gefährdung. Stromschlaggefahr. Falls nichts anderes angegeben, unterbrechen Sie die Stromversorgung, bevor die beschriebenen Arbeiten durchgeführt werden.



ACHTUNG!

Mittlere Gefährdung. Der genannte Vorgang hat große Bedeutung für den einwandfreien Betrieb des Systems: es wird gebeten, sich die Verfahrensweise anzulesen und zu befolgen.



ANMERKUNG

Beschreibung der Systemmerkmale. Eine sorgfältige Lektüre wird empfohlen, um das Verständnis der folgenden Phasen zu gewährleisten.

2 Anmerkungen zum Copyright und Informationen zu den Handelsmarken

Die angeführten Produkt- oder Firmennamen sind Handelsmarken oder eingetragene Handelsmarken.

3 Sicherheitsnormen



ACHTUNG! Die Installation und Wartung der Vorrichtung ist technischen Fachleuten vorbehalten.

- ACHTUNG! Die elektrische Anlage, an der die Einheit angeschlossen ist, muss mit einem automatischen zweipoligen Schutzschalter versehen werden. Der Schalter für die mit Netzspannung betriebenen Einheiten muss eine Auslöseschwelle von max. 20A haben. Der Schalter für die mit Niederspannung betriebenen Einheiten muss eine Auslöseschwelle von max. 6A haben. Dieser Schalter muss vom Typ Listed sein. Zwischen den Kontakten muss mindestens ein Abstand von 3mm vorhanden sein. Der Schalter muss eine Schutzeinrichtung gegen Erde Fehlerstrom (Differenzial) und gegen Überstrom haben (magnetothermisch).
- Der Hersteller lehnt jede Haftung für eventuelle Schäden ab, die aufgrund unsachgemäßer Anwendung der in diesem Handbuch erwähnten Geräte entstanden ist. Ferner behält er sich das Recht vor, den Inhalt ohne Vorkündigung abzuändern. Die Dokumentation in diesem Handbuch wurde sorgfältig ausgeführt und überprüft. Der Hersteller kann dennoch keine Haftung für die Verwendung übernehmen. Dasselbe gilt für jede Person oder Gesellschaft, die bei der Schaffung oder Produktion von diesem Handbuch miteinbezogen ist.
- Unterbrechen Sie die Stromversorgung, bevor die beschriebenen Arbeiten durchgeführt werden.
- Es dürfen keine Kabel mit Verschleiß- oder Alterungsspuren verwendet werden.
- Unter keinen Umständen dürfen Veränderungen oder Anschlüsse vorgenommen werden, die in diesem Handbuch nicht genannt sind. Der Gebrauch ungeeigneten Geräts kann die Sicherheit des Personals und der Anlage schwer gefährden.
- Es dürfen nur Original-Ersatzteile verwendet werden. Nicht originale Ersatzteile können zu Bränden, elektrischen Entladungen oder anderen Gefahren führen.
- Vor der Installation ist anhand des Kennzeichnungsschildes nachzuprüfen, ob das gelieferte Material die gewünschten Eigenschaften (4.2 Kennzeichnung des Produkts, Seite 4).
- Die Einrichtung ist für den dauerhaften Einbau in ein Gebäude oder eine andere geeignete Struktur konzipiert. Vor jeder Operation muss die Einrichtung dauerhaft eingebaut werden.
- Die nationalen Vorschriften für die Installation der Einrichtung sind einzuhalten.

- Jede Art in das Produkt installierbares Gerät muss den geltenden Sicherheitsnormen genügen.
- Bei einer Installation vom Typ NEMA TYPE 4X müssen die Kabelverschraubungen des Produkts durch Kabelverschraubungen vom Typ NEMA TYPE 4X ersetzt werden.
- Benutzen Sie für alle Verbindungen Kabel, die bis mindestens 75°C hitzebeständig sind.
- Das Produkt kann nur für entsprechend zertifizierte Kameras benutzt werden (7W max).
- Eine sofort und problemlos zugängliche Abtrennvorrichtung muss in die Elektroanlage des Gebäudes eingebaut werden, um einen schnellen Eingriff zu garantieren.
- Die Installationskategorie (auch als Überspannungskategorie bezeichnet) gibt den Pegel der Netzspannungsstöße an, denen die Ausrüstung ausgesetzt ist. Die Kategorie hängt vom Installationsort der Ausrüstung und von den externen Schutzrichtungen gegen Spannungsstöße ab. Ausrüstungen in einer gewerblichen Umgebung, die direkt mit den Hauptzweigen der Versorgungsanlage verbunden sind, gehören zur Installationskategorie III. In diesem Fall ist eine Abstufung auf Installationskategorie II erforderlich. Dies kann durch den Einsatz eines Isoliertransformators mit einem geerdeten Schirm zwischen Primär- und Sekundärwicklung erreicht werden. Alternativ können UL-gelistete Überspannungsschutzvorrichtungen (SPD) von Fase zu Nullleiter und von Nullleiter zur Erde geführt werden. UL-gelistete Überspannungsschutzvorrichtungen sind für die wiederholte Begrenzung kurzzeitig auftretender Spannungsspitzen und für die folgenden nominellen Betriebsbedingungen auszulegen: Typ 2 (Dauerhaft angeschlossene Überspannungsschutzvorrichtungen für die Installation auf der Ladungsseite der Hilfseinrichtung); Nennlastestrom (In) 20kA min. Benutzt werden können beispielsweise: FERRAZ SHAWMUT, STT2240SPG-CN, STT2BL240SPG-CN, spezifiziert für 120Vac/240Vac, (In=20kA). Der maximale Abstand zwischen dem Einbau und der Abkürzung ist 5m.
- Für den Anschluss der Versorgungsleitung den entsprechenden Anschlusskasten verwenden (UPTJB UL). Für weitere Informationen siehe Bedienungs- und Installationshandbuch des Produktes.
- Für den Anschluss der Netzleiter an die Klemmen Listed-Kabelschuhe verwenden. Die Kabelschuhe müssen für die Art der Installation geeignet sein. (von -20°C a +80°C min., V-0). Beispiele für Kabelschuhe: RP, BP o YP (Cembre).
- Die Stromversorgung des Produkts darf ausschließlich über das PoE-Kabel erfolgen. (Power over Ethernet).

4 Identifizierung

4.1 Beschreibung und Bezeichnung des Produktes

Das Gehäuse VERSO Hi-PoE IPM nützt die PoE und Hi-PoE-Technologie optimal aus, da es die vom Ethernet-Kabel, das als einzige Versorgungsquelle für alle gesteuerten Vorrichtungen vorgesehen ist, gelieferte Leistung verwendet und somit, abgesehen von einer Vereinfachung der Installationsstätigkeiten und einer Kostenreduzierung, auch eine höhere Zuverlässigkeit und Flexibilität der Netzwerk-Anlage erreicht werden kann.

Dank des innovativen IPM-Systems (Intelligent Power Management), können die Installationszeiten deutlich verringert werden, da für die Verbindung nur ein einziges Ethernet-Kabel benötigt wird.

Das Hi-PoE IPM-System erfasst automatisch alle vorhandenen Optionen, wie Heizung, Lüfter und Scheinwerfer und sorgt dann selbständig für einen Leistungsausgleich, d.h für eine angemessene Leistungsverteilung auf die verbundenen Vorrichtungen. Dadurch kann ein optimaler Betrieb der IP-Videokamera von -30 °C bis +60 °C mit Temperaturregelung und Cold Start (Inbetriebnahme bei niedrigen Temperaturen) gewährleistet werden.

Das IPM-System kann für analoge Anlagen mit bereits installierten Gehäusen nachgerüstet werden. Dafür sind einfach nur das Gehäuse und die interne Elektronik auszutauschen. Dadurch wird eine Umstellung auf Digitalbetrieb ermöglicht, wodurch die Installationszeiten optimiert und in Folge sowohl die Kosten, als auch die Umweltauswirkungen reduziert werden können.

4.2 Kennzeichnung des Produkts

Siehe die Etikett auf dem Produkt.

5 Vorbereitung des Produktes auf den Gebrauch



Jede vom Hersteller nicht ausdrücklich genehmigte Veränderung führt zum Verfall der Gewährleistungsrechte.

5.1 Entfernen der Verpackung und Inhalt

5.1.1 Entfernen der Verpackung

Bei der Lieferung des Produktes ist zu prüfen, ob die Verpackung intakt ist oder offensichtliche Anzeichen von Stürzen oder Abrieb aufweist.

Bei offensichtlichen Schadensspuren an der Verpackung muss umgehend der Lieferant verständigt werden.

Bewahren Sie die Verpackung auf für den Fall, dass das Produkt zur Reparatur eingesendet werden muss.

5.1.2 Inhalt

Prüfen Sie, ob der Inhalt mit der nachstehenden Materialliste übereinstimmt:

- Gehäuse
- RJ45 Verkabelung
- Innensechskantschlüssel:
 - Innensechskantschlüssel
 - Abstandsstücke
 - Dichtungen für Kabelverschraubungen
 - Kabelverschraubungen (x3)
 - Schrauben
 - Schrauben für Kamera
- Bedienungsanleitung

5.2 Sichere Entsorgung der Verpackungsmaterialien

Die Verpackungsmaterialien sind vollständig wiederverwertbar. Es ist Sache des Installationstechnikers, sie getrennt, auf jeden Fall aber nach den geltenden Vorschriften des Anwendungslandes zu entsorgen.

Im Falle der Rückgabe des nicht korrekt funktionierenden Produktes empfiehlt sich die Verwendung der Originalverpackung für den Transport.

5.3 Auf die Installation vorbereitende Tätigkeiten

5.3.1 Befestigung der Halterung



Das Produkt muss mit geeigneten Mitteln befestigt werden. Die Befestigungsmittel müssen die mechanische Festigkeit beim Anlegen von mindestens dem 4-fachen Gesamtgewicht des Gerätes garantieren.

6 Zusammenbau und Installation



Zusammenbau und Installation sind qualifizierten Fachleuten vorbehalten.



Die Einheit kann über Schnittstellen mit Produkten verbunden werden, die nicht von VIDEOTEC produziert sind. Deshalb empfiehlt VIDEOTEC vor jeder Installation einen Test. VIDEOTEC lehnt die Haftung für etwaige Installationskosten bei Kompatibilitätsprobleme ab.

6.1 Installation

6.1.1 Öffnung des Schutzgehäuse

Die beiden an der Flanke befindlichen Schrauben abdrehen, nun die Haube und den oberen Korpus um die Achse der Öffnungsscharniere drehen.

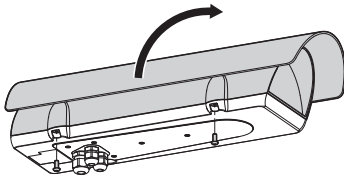


Abb. 1



Am Ende der Montage und der Verkabelung das Gehäuse schliessen.

6.1.2 Entfernen des Schlittens

Für die Entfernung des Schlittens müssen die Befestigungsschrauben gelöst werden, wie in der Abbildung gezeigt.

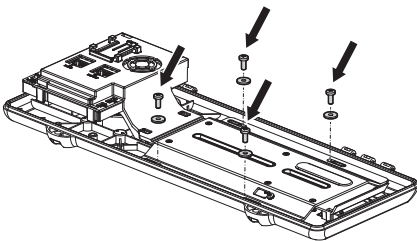


Abb. 2

6.1.3 Zusammenbau der Kabelverschraubungen



Zusammen mit den Halterungen für die interne Kabeldurchführung muss der Satz Dichtungsringe (OWBIP) verwendet werden. Der begrenzte Platz macht die Verwendung der mitgelieferten Kabelverschraubungen unmöglich. Der Bausatz muss getrennt gekauft werden.

Im Lieferumfang sind 3 Kabelverschraubungen enthalten, die am Boden des Gehäuses installiert werden müssen, wie in der Abbildung gezeigt. Die nicht verwendeten Kabelverschraubungen müssen mit dem Verschlussdeckel versiegelt werden, um das Eindringen von Wasser ins Gehäuse zu vermeiden.

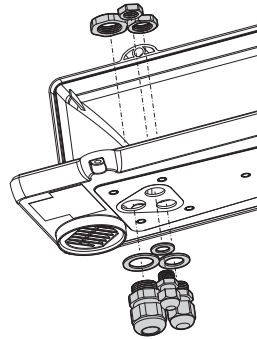


Abb. 3

6.1.4 Installation des Scheinwerfers GEKO IRH (optional)



Die maximale Leistung des Scheinwerfers darf 6W nicht überschreiten.



Für die Installation des Scheinwerfers muss die Halterung für Scheinwerfer verwendet werden (OSUPPIR). Der Bausatz muss getrennt gekauft werden.

Die kleinste Kabelverschraubung oder Dichtring verwenden, um das Eindringen von Wasser in das Gehäuse zu vermeiden.

Für die Installation des Scheinwerfers auf Gehäuse, siehe das Betriebs- und Installationshandbuch des Produkts.

Für weitere Details zur Konfiguration und zum Gebrauch beachten Sie bitte das entsprechende Kapitel. (6.1.4 Anschluss des Scheinwerfers GEKO IRH (Sonderausstattung), Seite 8).

6.1.5 Halterungen und Adaptermodule

Das Produkt kann an einer Halterung oder an einem Adapter befestigt werden. Weitere Informationen entnehmen Sie bitte dem technischen Produktdatenblatt oder wenden Sie sich direkt an VIDEOTECH.

6.1.1 Installation der Version mit Doppelfilter für den Luftaustausch

i Während der Installation auf die Ausrichtung der Luftklappen am Lufteinlassfilter achten.

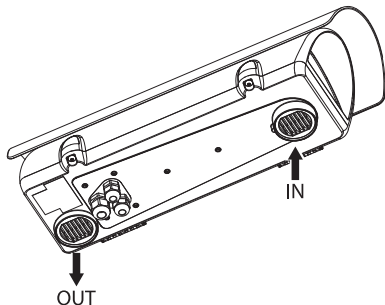


Abb. 4

Je nach Neigungswinkel des Gehäuses müssen die Luftklappen am Filter so ausgerichtet sein, dass bei Regen kein Wasser eindringen kann.

Das Gehäuse auf der Halterung gemäß den Neigungsbegrenzungen des Bildes installieren, um den Schutzgrad zu garantieren.

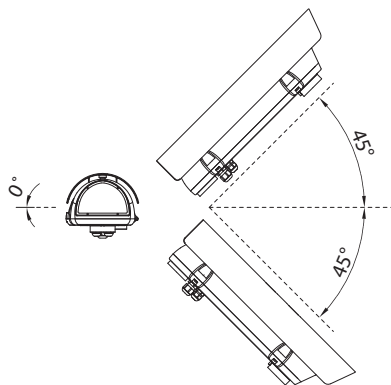


Abb. 5 Maximale Neigung der Querachse: 0°.
Maximale Neigung der Längsachse: ±45°.

6.1.2 Installation des Ethernet-Kabels

Das Ethernet Kabel in die Dichtung in einsetzen und alles blockieren, wie in der Abbildung gezeigt.

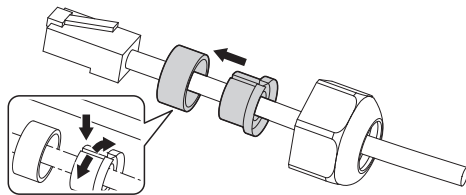


Abb. 6

Die Dichtung (01) an der M20-Kabelverschraubung (02) montieren. Die Kabelverschraubung mit der Mutter M20 (04) unten am Gehäuse (03) befestigen.

! Auf die Befestigung achten.
Anzugsdrehmoment: 7Nm.

Das Kabel mit dem Verbinder RJ45 (05) durch die M20Kabelverschraubung (02) führen. Den Stopfen der Kabelverschraubung zuschrauben (06).

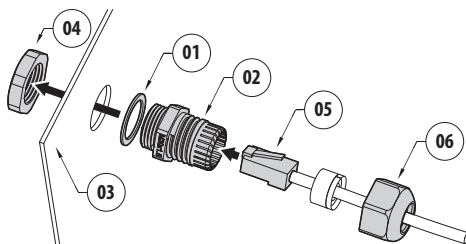


Abb. 7

6.1.3 Installation der Kamera



Der korrekte Betrieb des Gerätes innerhalb des angezeigten Temperaturbereichs ist nur garantiert, wenn die Temperaturschwellen der verwendeten Kamera und Optik mindestens zwischen -10°C und $+60^{\circ}\text{C}$ liegen.



Es können nur Kameras vom Typ PoE installiert werden.

Die Kamera mithilfe der mitgelieferten Schrauben (01) und Abstandsstücke (02) befestigen.

Mindestens ein Abstandsstück anbringen, um die elektrische Isolation zwischen Schlitten und Kamera zu gewährleisten.

Die Kameralinse vor dem Glas positionieren, um Sichtstörung oder optische Reflexe zu vermeiden.

Die Kamera an den Verbinder J2 (PoE OUT) anschließen, mit dem im Lieferumfang enthaltenen Kabel (03).

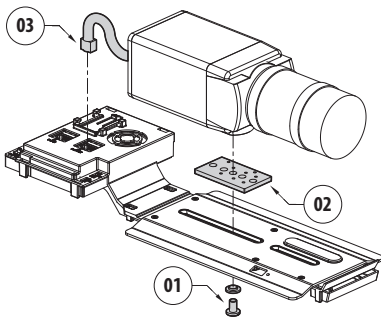


Abb. 8

Den Schlitten wieder in seiner Aufnahme positionieren und die zuvor entfernten Schrauben festziehen.

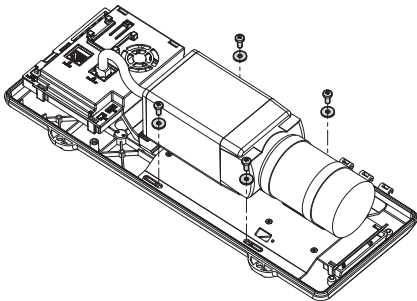


Abb. 9

6.1.4 Anschluss des Scheinwerfers GEKO IRH (Sonderausstattung)

Den Scheinwerfer an die Klemme J6 anschließen, wie im Schema unten beschrieben.

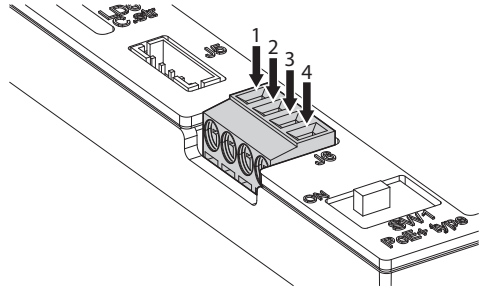


Abb. 10

ANSCHLUSS SCHEINWERFER GEKO IRH	
Scheinwerfer	Klemme J6
Braun (Telemetrie)	1
Blau (Telemetrie)	2
Weiß (Stromversorgung)	3
Schwarz (Stromversorgung)	4

Tab. 1

Für die Einstellung der Einschaltgrenze des Scheinwerfers, siehe das Betriebs- und Installationshandbuch des Produkts.

6.1.5 Anschluss des PoE-Kabels

Verbinden Sie das vom Power Injector kommende PoE-Kabel mit dem Verbinder J1.

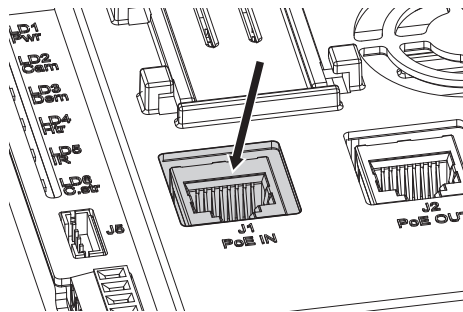


Abb. 11

Bevor das Gerät mit Strom versorgt wird, muss die maximale Leistungsaufnahme vom Gehäuse eingestellt werden, indem der Dip-Schalter SW1 betätigt wird (7 Konfiguration, Seite 9).

6.1.6 Anschluss des Lüfters mit Doppelfilter für den Luftaustausch (Sonderausstattung)

Das Kabel des Lüfters an den Verbinder J4 anschließen.

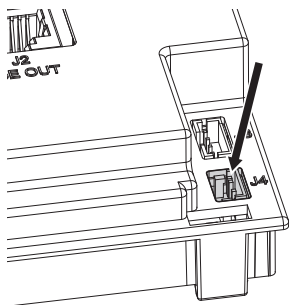


Abb. 12

7 Konfiguration

Bevor das Gerät mit Strom versorgt wird, muss die maximale Leistungsaufnahme vom Gehäuse eingestellt werden, indem der Dip-Schalter SW1 betätigt wird.

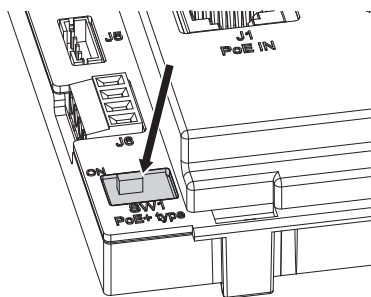


Abb. 13

KONFIGURATION LEISTUNGS-AUFNAHME	
SW1	Maximale Leistung
OFF	PoE Klasse 3 (13W max)
ON	Hi-PoE Klasse 4 (25W max)

Tab. 2

In Abhängigkeit der Leistungsaufnahme kann das System die in der Tabelle beschriebenen Optionen versorgen (Tab. 3, Seite 10).

VERSO HI-POE IPM VERFÜGBARE MODELLE UND MERKMALE

Betriebstemperatur	Injector	Kamera	Beschlagentfernung	Scheinwerfer	Heizung	Lüfter mit doppeltem Luftfilter
-10°C / +60°C	PoE Klasse 3 (13W)	PoE max. Klasse 2 (7W)	✓	–	–	✓
	Hi-PoE Klasse 4 (25W)	PoE max. Klasse 3 (13W)	✓	✓	–	✓
-10°C / +50°C	PoE Klasse 3 (13W)	PoE max. Klasse 2 (7W)	✓	–	–	–
	Hi-PoE Klasse 4 (25W)	PoE max. Klasse 3 (13W)	✓	✓	–	–
-30°C / +50°C	Hi-PoE Klasse 4 (25W)	PoE max. Klasse 3 (13W)	✓	–	✓	–

Tab. 3

8 Einschaltung



Der automatische Vorheizvorgang (De-Ice) könnte immer dann aktiviert werden, wenn das Gerät bei einer Umgebungstemperatur von unter 0°C in Betrieb genommen wird. Dieser Vorgang dient dazu, auch bei niedrigen Temperaturen den einwandfreien Betrieb der Einrichtungen sicherzustellen. Die Dauer liegt je nach Bedingungen zwischen 60 und 120 Minuten.

Während der Einschaltphase liest das Gerät den Zustand des Dip-Schalters und erfasst automatisch alle verbundenen Optionen, für eine korrekte Energiesteuerung des Gehäuses.

Mithilfe der LEDs aus der Abbildung kann jederzeit der Betriebszustand des Produkts überprüft werden.

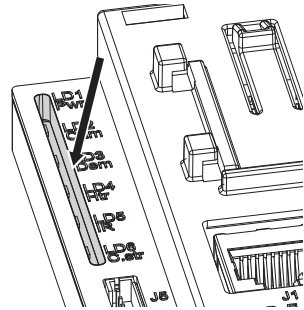


Abb. 14

Nehmen Sie Bezug auf die Tabelle, um den Betriebszustand zu erkennen.

BETRIEBSZUSTAND		
LED	LED-Zustand	Gerätzustand
LD1 (Netzteil)	Aus	Das Gerät wird nicht versorgt
	Auf	Das Gerät wird ordnungsgemäß versorgt
LD2 (Kamera)	Aus	Die Kamera ist nicht angeschlossen oder der Cold Start ist aktiviert
	Auf	Die Kamera wird ordnungsgemäß versorgt
	1-mal Blinken	Die Kamera hat einen niedrigen Identifikationswiderstand
	2-mal Blinken	Die Kamera hat einen hohen Identifikationswiderstand
	5-mal Blinken	Die Kamera hat einen zu hohen Verbrauch
	9-mal Blinken	Die Kamera benötigt mehr Leistung als verfügbar
	LD3 (Beschlagentfernung)	Aus
1-mal Blinken	Die Standard-Beschlagentfernung ist nicht in Betrieb	
2-mal Blinken	Die Frostschutzanlage (Optional) ist nicht in Betrieb	
Auf	Die Beschlagentfernung oder Frostschutzanlage ist in Betrieb	
LD4 (Heizung)	Aus	Die Heizung ist nicht verfügbar oder die verfügbare Leistung ist nicht ausreichend
	1-mal Blinken	Die Heizung ist nicht in Betrieb
	Auf	Die Heizung ist in Betrieb
LD5 (Scheinwerfer)	Aus	Der Scheinwerfer (optional) wurde nicht erfasst oder die verfügbare Leistung ist nicht ausreichend
	1-mal Blinken	Der Scheinwerfer wird ordnungsgemäß versorgt (seine Aktivierung wird von einer Fotozelle am Scheinwerfer kontrolliert)
LD6 (Verzögertes Einschalten)	Aus	Die Heizung ist nicht verfügbar
	1-mal Blinken	Das Vorheizverfahren ist nicht in Betrieb
	Auf	Das Vorheizverfahren ist in Betrieb

Tab. 4

9 Wartung und Reinigung

9.1 Wartung

9.1.1 Bausatz für die Modernisierung der Anlagen

Den Schlitten (01), die Platine (02) und die Heizung (03) entfernen.

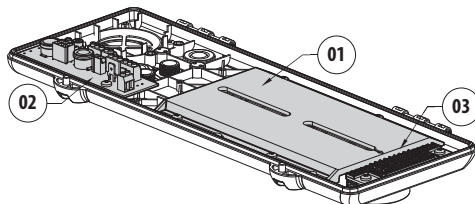


Abb. 15

Ist das Gehäuse eines mit Doppelfilterlüter, soll auch dieser letzte mit dem mitgelieferten Lüfter ersetzt werden.

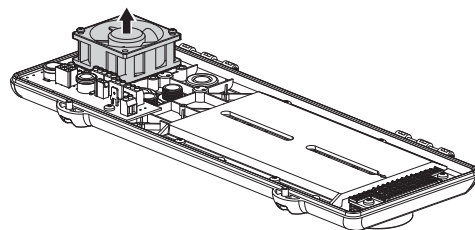


Abb. 16

Für die Installation des Bausatzes siehe Kapitel 6 Zusammenbau und Installation, Seite 6.

9.2 Reinigung

9.2.1 Reinigung des Glases und der Kunststoffteile



Zu vermeiden sind Äthylalkohol, Lösungsmittel, hydrierte Kohlenwasserstoffe, starke Säuren und Alkali. Diese Produkte können die behandelte Oberfläche beschädigen.

Es wird empfohlen, ein weiches Tuch und neutrale mit Wasser verdünnte Seife oder ein spezifisches Reinigungsmittel für Brillengläser zu verwenden.

10 Müllentsorgungsstellen



Dieses Symbol und das entsprechende Recycling-System gelten nur für EULänder und finden in den anderen Ländern der Welt keine Anwendung.

Ihr Produkt wurde entworfen und hergestellt aus qualitativ hochwertigen Materialien und Komponenten, die recycelt und wiederverwendet werden können.

Dieses Symbol bedeutet, daß elektrische und elektronische Geräte am Ende ihrer Nutzungsdauer von Hausmüll getrennt entsorgt werden sollen.

Bitte entsorgen Sie dieses Gerät bei Ihrer örtlichen Sammelstelle oder im Recycling Centre.

In der Europäischen Union gibt es unterschiedliche Sammelsysteme für Elektrik- und Elektronikgeräte.

11 Technische Daten

11.1 Allgemeines

Hergestellt aus Technopolymer (Polykarbonat), Farbe RAL9002

Sonnenschutzdach aus ABS

Pulverlackierung mit Epoxypolyester, Farbe RAL9002

Externe Schrauben aus rostfreiem Stahl

11.2 Mechanik

Kabelverschraubungen: 1xM12, 1xM16, 1xM20

Polykarbonat-Fenster (WxH): 105x64mm

Innere Nutzabmessungen (WxHxL): 70x70x230mm

Einheitsgewicht: 1.6kg

11.1 Elektrik

Leistungsaufnahme am Eingang: PoE Klasse 3 (13 W) oder Hi-PoE Klasse 4 (25 W) wählbar über DIP-Schalter

Verfügbare Leistung für Kamera (PoE IN Klasse 3): PoE Klasse 2 (7W)

Verfügbare Leistung für Kamera (Hi-PoE IN Klasse 4): PoE Klasse 3 (13 W) mit „Cold Start“-Funktion Ton -10 °C ± 2 °C

Datenleitung: 10/100Base-T

GEKO IRH Scheinwerfer, niedrige Leistung: 6W

Heizung: 8W, elektronisch gesteuert, Ton 20°C±2°C, Toff 23°C±2°C

Mit Thermostat versehener Lüfter zur Kühlung der Videokamera für Ausführungen mit doppeltem Filter: Ton 35°C±2°C, Toff 32°C±2°C

Beschlagentfernung Warmluftgebläse: 5W

Kompatibel mit IEEE 802.3af, IEEE 802.3at/PoE Plus

Kompatibel mit Power Injector 1 Kanal (OHEPOWINJ: VIDEOTEC wahlfreies Zubehör)

11.2 Umgebung

Innen/Außen

Betriebstemperatur: Von -10° a +60°C

Betriebstemperatur (mit Heizung): Von -30°C a +60°C

Chemikalienbeständigkeit

- Hohe Beständigkeit: Basen, Alkohol, Gas, Kohlenwasserstoffe
- Gute Beständigkeit: Organische Säuren, Anorganische Säuren, Öle
- Geringe Beständigkeit: Lösungsmittel

11.3 Zertifizierungen

Elektrische Sicherheit (CE): EN60950-1

Elektromagnetische Verträglichkeit (CE): EN50130-4, EN61000-6-4

Schutzart IP: EN60529

- IP66/IP67 (mit Kabelverschraubungen)
- IP66/IP67 (mit innerer Kabelführung und Dichtungsringen)
- IP55 (mit Halterung mit innerer Kabelführung)
- IP44 (für Modelle mit Doppelfilter für die Lüftung)

Schlagfestigkeit: EN62262, IK10

UL- Zertifizierung:

- cULus Listed, TYPE 4X (mit Ausnahme für die Versionen mit Doppelfilter für den Luftaustausch)
- UL94, V1 (Selbstlöschend)

EAC-Zertifizierung

12 Technische Zeichnungen



Die Abmessungen der Zeichnungen sind in Millimeter angegeben.

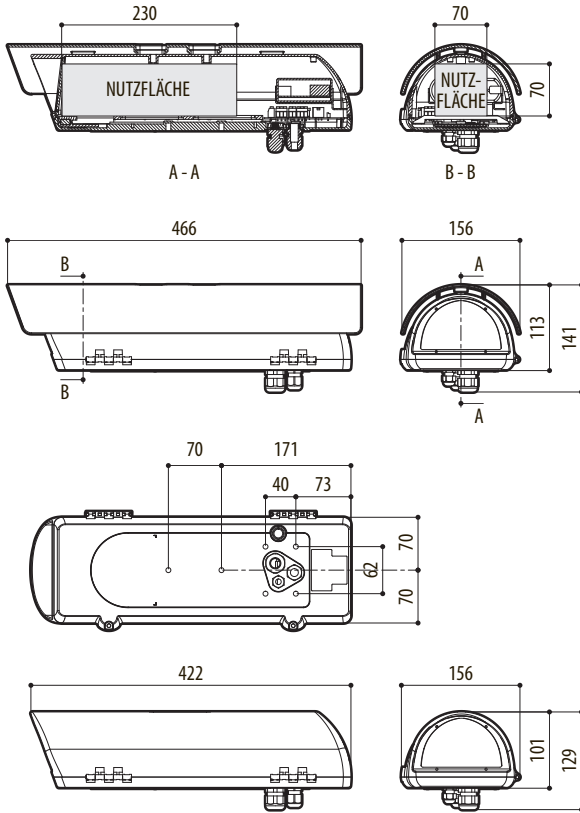


Abb. 17 VERSO Hi-PoE IPM.

Headquarters Italy Videotec S.p.A.

Via Friuli, 6 - I-36015 Schio (VI) - Italy

Tel. +39 0445 697411 - Fax +39 0445 697414

Email: info@videotec.com

Asia Pacific Videotec (HK) Ltd

Flat 8, 19/F. On Dak Industrial Building, No. 2-6 Wah Sing Street

Kwai Chung, New Territories - Hong Kong

Tel. +852 2333 0601 - Fax +852 2311 0026

Email: info.hk@videotec.com

France Videotec France SARL

Immeuble Le Montreal, 19bis Avenue du Québec, ZA de Courtaboeuf
91140 Villebon sur Yvette - France

Tel. +33 1 60491816 - Fax +33 1 69284736

Email: info.fr@videotec.com

Americas Videotec Security, Inc.

Gateway Industrial Park, 35 Gateway Drive, Suite 100
Plattsburgh, NY 12901 - U.S.A.

Tel. +1 518 825 0020 - Fax +1 518 825 0022

Email: info.usa@videotec.com - www.videotec.us



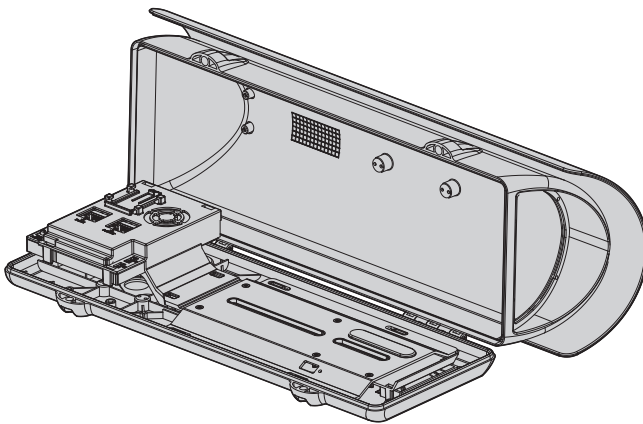
www.videotec.com

MNVCHPVHPOE_1511_DE



VERSO Hi-PoE IPM

Поликарбонатный кожух с технологией IPM для IP-камер



Индекс

1 Информация о настоящем руководстве	3
1.1 Типографские обозначения.....	3
2 Примечания по авторскому праву и торговым маркам	3
3 Правила безопасности	3
4 Идентификация	4
4.1 Описание и назначение изделия.....	4
4.2 Маркировка изделия	4
5 Подготовка изделия к использованию	5
5.1 Распаковка и содержание.....	5
5.1.1 Распаковка	5
5.1.2 Содержимое.....	5
5.2 Переработка в отходы в условиях безопасности материалов упаковки	5
5.3 Подготовительная работа перед установкой.....	5
5.3.1 Установка кронштейна	5
6 Сборка и установка	6
6.1 Монтаж	6
6.1.1 Открытие корпуса	6
6.1.2 Снятие салазок.....	6
6.1.3 Сборка кабельных муфт	6
6.1.4 Установка осветителя GEKO IRH (опционально).....	6
6.1.5 Кронштейны и адаптеры	7
6.1.1 Установка версии с двойным фильтром для воздухообмена	7
6.1.2 Установка кабеля Ethernet.....	7
6.1.3 Установка телекамеры	8
6.1.4 Подключение осветителя GEKO IRH (опция)	8
6.1.5 Подключение кабеля PoE.....	9
6.1.6 Подключение вентилятора с двойным фильтром для воздухообмена (опция)	9
7 Конфигурация	9
8 Включение	10
9 Техобслуживание и очистка	11
9.1 Техобслуживание	11
9.1.1 Комплект для модернизации установок.....	11
9.2 Уборка	11
9.2.1 Очистка стекла и пластмассовых частей	11
10 Вывоз в отходы	12
11 Технические параметры	12
11.1 Общее	12
11.2 Механика.....	12
11.1 Электрические характеристики	12
11.2 Среда.....	12
11.3 Сертификация.....	12
12 Технические чертежи	13

1 Информация о настоящем руководстве

Перед монтажом и использованием настоящего блока, внимательно прочитайте настоящее руководство. Хранить данное руководство под рукой для будущих консультаций.

1.1 Типографские обозначения



ОПАСНОСТЬ!

Повышенная опасность.

Опасность удара электрическим током.

Если не указано иным образом, отключите питание, Прежде чем приступить к выполнению операций, если не указано иным образом, отключите питание.



ПРЕДУПРЕЖДЕНИЕ!

Средняя опасность.

Эта операция очень важна для правильной работы системы. Просим внимательно прочитать приведенную процедуру и выполнить ее указанным способом.



INFO

Описание характеристик системы. Рекомендуется внимательно для выполнения следующих фаз.

2 Примечания по авторскому праву и торговым маркам

Упомянутые название компаний и продукции являются торговыми марками или зарегистрированными торговыми марками, принадлежащими соответствующим компаниям.

3 Правила безопасности



ПРЕДУПРЕЖДЕНИЕ! Следует использовать только кронштейны или принадлежности, рекомендуемые для монтажа.

- **ПРЕДУПРЕЖДЕНИЕ!** Система электропитания, к которой подключен прибор, должен быть оснащена биполярный автоматический выключатель защиты. Выключатель для узлов, работающих в условиях напряжения сети, должен иметь уровень срабатывания макс. 20А. Выключатель для узлов, работающих в условиях низкого напряжения, должен иметь уровень срабатывания макс. 6А. Этот выключатель выбирается из перечисленных в списке. Минимальное расстояние между контактами должно быть 3мм. Выключатель должен иметь защиту против пробоя тока на землю (дифференциальную) и сверхток (магнитотермический).
- Производитель снимает с себя какую-либо ответственность за возможный ущерб, вызванный использованием не по назначению упомянутого в данном руководстве оборудования. Также сохраняется право изменять содержание без предварительного извещения. При тщательном сборе документации, содержащейся в настоящем руководстве, были сделаны все необходимые проверки. Производитель, однако, не может взять на себя какую-либо ответственность, связанную с его использованием. Это относится к любому лицу или обществу, вовлеченному в создание и производство данного руководства.
- Перед началом любой операции, убедитесь, что электропитание отключено.
- Не использовать кабели со следами повреждений или старения.
- Ни в коем случае не вносить изменений и не выполнять подключений, не предусмотренных данным руководством. Использование оборудования не по назначению, может привести к серьезным рискам и опасно, как для персонала, так и для системы.
- Используйте только оригинальные запасные части. Номера для оригинальных запасных частей может привести к пожару, электрический разряд или других опасностей.
- Перед монтажом проверить, что поставляемый материал соответствует требуемым техническим спецификация, проверив этикетки маркировки (4.2 Маркировка изделия, страница 4).
- Это устройство предназначено для постоянно действующей установки на здании или на соответствующей конструкции. Устройство должно быть установлено на постоянной основе перед выполнением любой операции.
- При установке устройства должны соблюдаться национальные нормативы.

- Каждое устройство, которое может быть установлено внутри изделия, должно соответствовать действующим нормам безопасности.
- Если установка должна быть типа NEMA TYPE 4X, монтажник должен заменить кабельные муфты изделия кабельными муфтами типа NEMA TYPE 4X.
- Для всех подключений использовать кабели, способные выдерживать, как минимум, температуру 75°C.
- Изделие разработано только для размещения телекамер, соответственно сертифицированных. (7W max).
- Размыкающее устройство, с быстрым и лёгким доступом, предназначенное для встраивания в электросистему здания и обеспечивающее быстрое срабатывание.
- Категория установки (называемая также категория перенапряжения) указывает уровни скачков напряжения сети, которым подвержен прибор. Категория зависит от места установки и присутствия устройств защиты от перенапряжений. Устройство для промышленных условий, подключенное к основным ответвлениям линии питания, относится к категории установки III. Если речь идет о данном случае, требуется уменьшение до категории II. Этого можно достичь с помощью разделительного трансформатора с заземленным экраном между первичной и вторичной обмоткой или с помощью устройств защиты от перенапряжений (SPD) с маркировкой UL, подключенных между фазой и нейтралью и между нейтралью и землей. Устройства SPD с маркировкой UL используются для повторяющегося подавления кратковременных перенапряжений и при следующих номинальных условиях функционирования: Тип 2 (Устройства SPD, постоянно подключаемые к сети питания, для установки со стороны загрузки рабочего устройства); Номинальный ток разряда (In) минимум 20кА. Например, можно использовать: FERRAZ SHAWMUT, ST23401PG-CN, ST240SPG-CN, указанные для 120/240Vac, (In=20кА). Максимальное расстояние между установкой и переходником составляет 5м.
- Для подключения линии питания используйте специальную соединительную коробку (UPTJBUL). Для получения дополнительной информации смотреть руководство по эксплуатации и установки изделия.
- Используйте обжимные соединители Listed для подключения сетевых проводов к клеммам. Обжимные соединители должны соответствовать типу установки (от -20°C а +80°C min., V-0). Примеры обжимных соединителей: RP, BP о YP (Cembre).
- Питание прибора должно быть обеспечено только с помощью кабеля PoE. (Питание через Ethernet (Power over Ethernet)).

4 Идентификация

4.1 Описание и назначение изделия

Футляр VERSO Hi-PoE IPM оптимально использует технологию POE e Hi-POE, используя мощность, получаемую с помощью кабеля Ethernet, как единый источник питания для всех управляемых устройств и, таким образом, гарантирует большую надежность и универсальность системы network, упрощение операций по установке и снижение стоимости.

Благодаря новаторской системе IPM (Intelligent Power Management) упрощается и значительно сокращается время установки с использованием единого кабеля связи Ethernet.

Автоматически система Hi-POE IPM выявит все присутствующие опции, такие как нагревание, вентиляция, осветитель, чтобы затем автономно выполнить уравнивание мощности и, следовательно, ее адекватное распределение между подключенными устройствами. Таким образом обеспечивается оптимальное функционирование телекамеры IP от -30°C до +60°C, с терморегуляцией и cold start (пуск при низких температурах).

Система IPM дает возможность доводки на аналоговых установках с уже установленными футлярами с помощью обычной замены места установок и внутренней электроники. Это позволяет выполнять цифровую конверсию, оптимизируя время монтажа с последующим уменьшением стоимости и воздействия на окружающую среду.

4.2 Маркировка изделия

См. ярлык на продукт.

5 Подготовка изделия к использованию



Любое изменение, выполненное без разрешения изготовителя, ведёт к потере гарантии.

5.1 Распаковка и содержание

5.1.1 Распаковка

При поставке изделия убедитесь в том, что упаковка не повреждена и не имеет явных признаков падений или царапин.

В случае видимых повреждений упаковки немедленно свяжитесь с поставщиком.

Храните упаковку на случай, если необходимо отправка изделия для ремонта.

5.1.2 Содержимое

Убедитесь в том, что содержимое будет соответствовать списку материалов, приведённому ниже:

- Кожух
- Прокладка кабеля RJ45
- Оснащение для футляра:
 - Ключ шестигранник
 - Распорки
 - Уплотнители для кабельных муфт
 - Кабельная муфта (x3)
 - Набор винтов
 - Винты для телекамеры
- Учебник инструкции

5.2 Переработка в отходы в условиях безопасности материалов упаковки

Материалы упаковки полностью состоят из рекуперированного материала. Техник по установке должен переработать их в отходы в соответствии с порядком дифференцированного сбора или, в любом случае, в соответствии действующими правилами в стране использования.

В случае возврата некачественной продукции, рекомендуем использовать первоначальную оригинальную упаковку для транспортировки.

5.3 Подготовительная работа перед установкой

5.3.1 Установка кронштейна



Устройство должно крепиться с помощью адекватных средств. Крепежные элементы должны гарантировать механическую герметичность, оказывая воздействие, равное хотя бы 4-кратному общему весу аппаратуры.

6 Сборка и установка

! Монтаж и установка оборудования должны выполняться только квалифицированным для этого персоналом.

! Изделие может соединяться с устройствами, не произведенными VIDEOTEC. VIDEOTEC рекомендует всегда проводить предварительные испытания перед монтажом. VIDEOTEC не несет ответственности за дополнительные расходы при монтаже, в случае возникновения проблем с совместимостью.

6.1 Монтаж

6.1.1 Открытие корпуса

Отвинтите 2 винта, установленные на боку, поверните крышку и верхний корпус вокруг оси петель открывания.

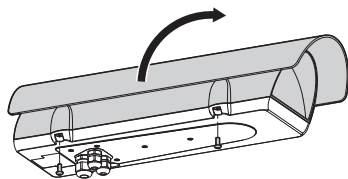


Рис. 1

! По завершении операций по установке и прокладке кабеля закройте футляр.

6.1.2 Снятие салазок

Для снятия салазок необходимо отвинтить винты как показано на рисунке.

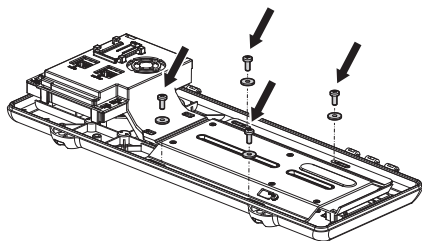


Рис. 2

6.1.3 Сборка кабельных муфт

! Вместе с суппортами для внутреннего прохождения кабелей необходимо использовать набор уплотнительных колец (OWBIP). Небольшое пространство не позволяет использовать кабели, входящие в комплект поставки. Комплект необходимо приобрести отдельно.

В комплект поставки входят 3 кабельные муфты, которые должны устанавливаться на днище футляра как показано на рисунке. Неиспользованные кабельные муфты должны быть закрыты заглушкой, чтобы предотвратить проникновение воды в футляр.

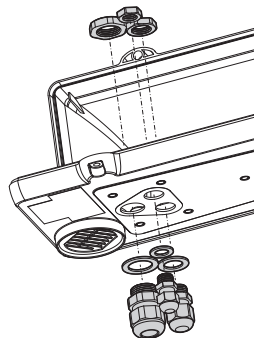


Рис. 3

6.1.4 Установка осветителя GEKO IRH (опционально)

! Максимальная мощность осветителя не должна превышать 6W.

! Для установки осветителя необходимо использовать кронштейн для осветителя. (OSUPPIR). Комплект необходимо приобрести отдельно.

Используйте кабельные муфты поменьше, чтобы предотвратить проникновение воды в футляр.

По вопросам установки осветителя на футляр см. руководство по эксплуатации и установке изделия

За дополнительной информацией по конфигурации и эксплуатации обращайтесь к соответствующей главе (6.1.4 Подключение осветителя GEKO IRH (опция), страница 8).

6.1.5 Кронштейны и адаптеры

Изделие может быть закреплено на кронштейне или держателе. За дополнительной информацией обращайтесь к техническому паспорту изделия или непосредственно VIDEOTECH.

6.1.1 Установка версии с двойным фильтром для воздухообмена

i Во время установки обратите внимание на ориентировку ребер фильтра на входе воздуха.

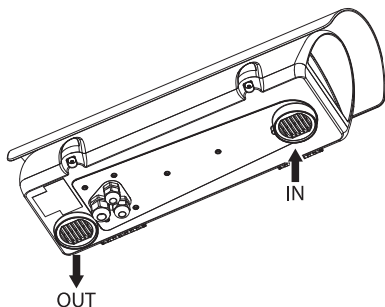


Рис. 4

В зависимости от угла наклона футляра, ориентировка ребер фильтра должна быть такой, чтобы предупредить проникновение воды в случае дождя.

В целях обеспечения соответствующей степени защиты установите футляр на кронштейн, соблюдая пределы наклона, приведенные на рисунке.

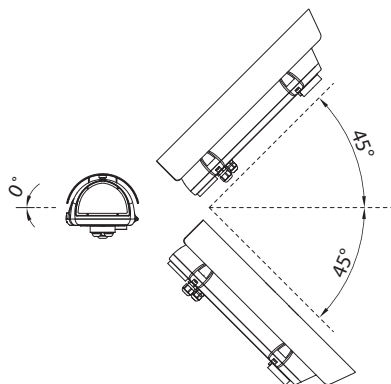


Рис. 5 Максимальный наклон поперечной оси: 0°. Максимальный наклон продольной оси: ±45°.

6.1.2 Установка кабеля Ethernet

Введите кабель Ethernet в уплотнитель и заблокируйте все как показано на рисунке.

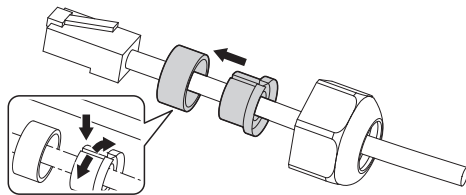


Рис. 6

Соберите уплотнитель (01) с кабельной муфтой M20 (02). Закрепите кабель на днище футляра (03) с помощью гайки M20 (04).

⚠ Будьте осторожны при установке. Момент затяжки: 7Нм.

Пропустите кабель с разъемом RJ45 (05) через кабельную муфту M20 (02). Завинтите пробку кабельной муфты (06).

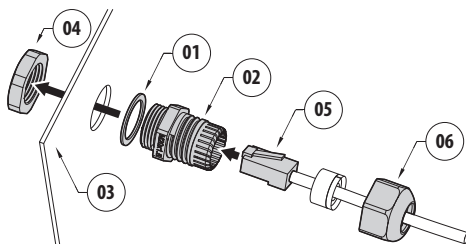


Рис. 7

6.1.3 Установка телекамеры



Исправная работа оборудования в указанном диапазоне температуры гарантируется только в том случае, если используются видеокамера и объектив для пределов температуры от -10°C до $+60^{\circ}\text{C}$.



Можно установить только камеры типа PoE.

Закрепите телекамеру с помощью винтов (01) и распорок (02), прилагающихся в комплекте.

Установите не менее одной распорки, чтобы обеспечить электрическую изоляцию между салазками и телекамерой.

Расположите телекамеру позади стекла, чтобы избежать зрительных помех или оптических отблесков.

Подключите телекамеру к разъему 2 (PoE OUT) с помощью кабеля, входящего в комплект поставки (03).

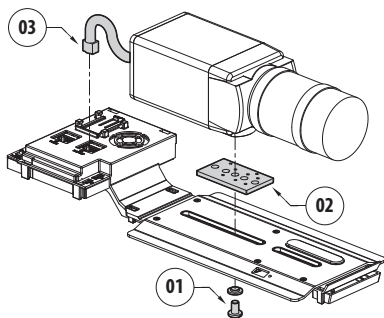


Рис. 8

Снова установите салазки в гнездо, затянув ранее снятые винты и шайбы.

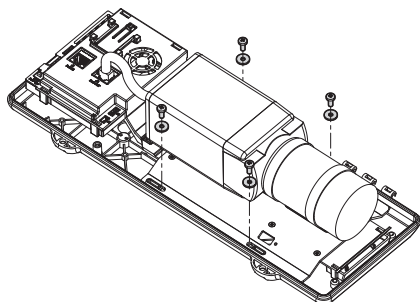


Рис. 9

6.1.4 Подключение осветителя GEKO IRH (опция)

Подключите осветитель к разъему J6, как описано в схеме ниже.

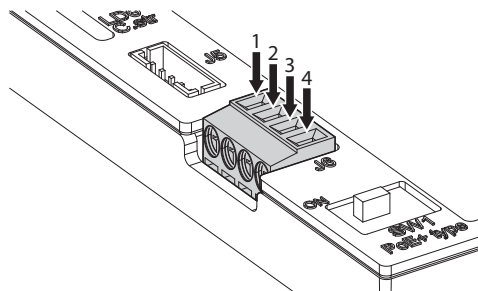


Рис. 10

ПОДКЛЮЧЕНИЕ ОСВЕТИТЕЛЯ GEKO IRH	
Осветитель	Клемма J6
Коричневый (телеуправление)	1
Синий (телеуправление)	2
белый (питание)	3
Черный (питание)	4

Таб. 1

По вопросам порога включения осветителя см. руководство по эксплуатации и установке изделия

6.1.5 Подключение кабеля PoE

Подключите кабель PoE, идущий от инжектора питания (Power Injector) к разъему J1.

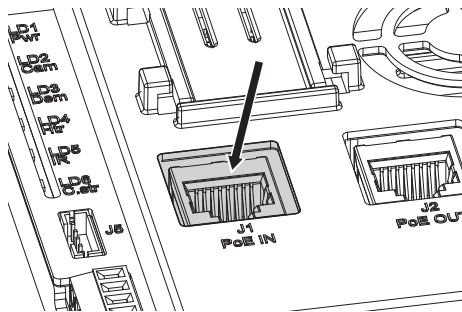


Рис. 11

Перед подачей напряжения на устройство установите максимальную потребляемую мощность с помощью dip-переключателя SW1 (7 Конфигурация, страница 9).

6.1.6 Подключение вентилятора с двойным фильтром для воздухообмена (опция)

Подключите кабель вентилятора к разъему J4.

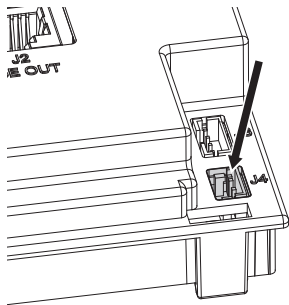


Рис. 12

7 Конфигурация

Перед подачей напряжения на устройство установите максимальную потребляемую мощность с помощью dip-переключателя SW1.

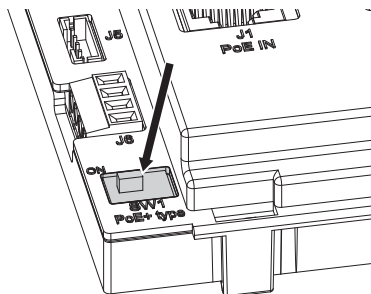


Рис. 13

КОНФИГУРАЦИЯ ПОТРЕБЛЯЕМОЙ МОЩНОСТИ	
SW1	Максимальная мощность:
OFF	PoE класса 3 (13W max)
ON	Hi-PoE класса 4 (макс. 25W)

Таб. 2

В зависимости от потребляемой мощности система может обеспечивать опции, перечисленные в таблице (Таб. 3, страница 10).

VERSO Hi-POE IPM ИМЕЮЩИЕСЯ МОДЕЛИ И ХАРАКТЕРИСТИКИ

Рабочая температура	Инжектор	Камеры	Антизапотевание	Осветитель	Нагреватель	Вентиляторы с двойным воздушным фильтром
-10°C / +60°C	PoE класса 3 (13W)	PoE макс. класса 2 (7W)	✓	–	–	✓
	Hi-PoE класса 4 (25W)	PoE макс. класса 3 (13W)	✓	✓	–	✓
-10°C / +50°C	PoE класса 3 (13W)	PoE макс. класса 2 (7W)	✓	–	–	–
	Hi-PoE класса 4 (25W)	PoE макс. класса 3 (13W)	✓	✓	–	–
-30°C / +50°C	Hi-PoE класса 4 (25W)	PoE макс. класса 3 (13W)	✓	–	✓	–

Таб. 3

8 Включение

i Процедура автоматического предварительного подогрева (De-Ice) может быть активирована всегда, когда устройство включается при температуре окружающей среды ниже 0°C. Процедура служит для обеспечения правильного функционирования прибора даже при низких температурах. Долгота меняется от 60 до 120 минут в соответствии с условиями.

В фазу включения устройство считывает состояние dip-переключателя и автоматически обнаруживает все опции, касающиеся правильного энергоуправления футляра.

Светодиоды, показанные на рисунке, позволяют в любой момент проверять режим функционирования прибора.

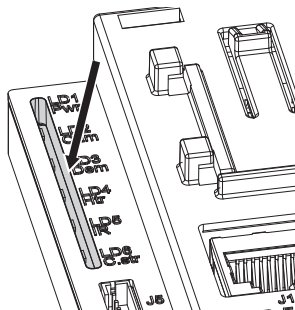


Рис. 14

Используйте таблицей, чтобы идентифицировать режим функционирования.

РЕЖИМ ФУНКЦИОНИРОВАНИЯ		
LED	Режим LED	Режим аппарата:
LD1 (Источник питания)	Выключено	На устройство не подается питание
	Включено	Питание на устройство подается правильно
LD2 (Камеры)	Выключено	Телекамера не подключена или активирована функция Cold Start
	Включено	Питание на телекамеру подается правильно
	1 мигание	Телекамера имеет низкую идентификационную резистентность
	2 мигания	Телекамера имеет высокую идентификационную резистентность
	5 миганий	Телекамера потребляет слишком много энергии
	9 миганий	Телекамера требует большей мощности, чем имеется
LD3 (Антизапотевание)	Выключено	Функция Антизапотевания не выявлена правильно
	1 мигание	Стандартная функция антизапотевания неактивна
	2 мигания	Система противообледенения (опционально) неактивна
	Включено	Система антизапотевания или противообледенения функционирует
LD4 (Нагреватель)	Выключено	Нагревание отсутствует или же имеющаяся мощность недостаточна
	1 мигание	Нагревание отключено
	Включено	Нагревание подключено
LD5 (Осветитель)	Выключено	Осветитель (опционально) не обнаружен или же имеющаяся мощность недостаточна
	1 мигание	Питание на осветитель подается правильно (активация осветителя управляется его собственным фотоэлементом)
LD6 (Включение с задержкой)	Выключено	Нагревание отсутствует
	1 мигание	Процедура предварительного нагревания неактивна
	Включено	Процедура предварительного нагревания функционирует

Таб. 4

9 Техобслуживание и очистка

9.1 Техобслуживание

9.1.1 Комплект для модернизации установок

Снимите салазки (01), электронную плату (02) и устройство нагревания (03).

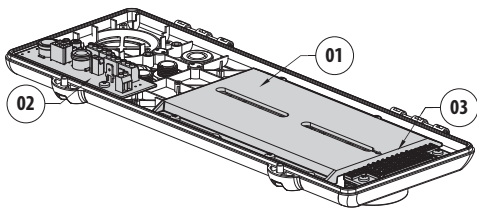


Рис. 15

Если футляр оснащен вентилятором с двойным фильтром для воздухообмена, необходимо заменить вентилятор на вентилятор, входящим в комплект поставки.

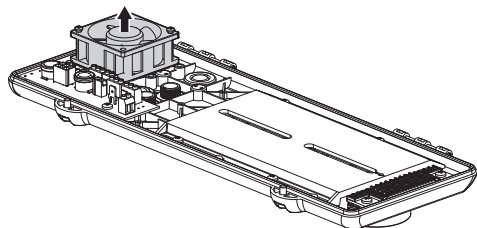


Рис. 16

По вопросам установки набора смотрите главу 6 Сборка и установка, страница 6.

9.2 Уборка

9.2.1 Очистка стекла и пластмассовых частей



Избегать применение этилового спирта, растворителей, гидрированных углеводородов, сильных кислот и щелочей. Использование названных продуктов наносит непоправимый вред обрабатываемой поверхности.

Для очистки линз очков рекомендуется пользоваться мягкой тканью с раствором нейтрального мыла или специальных чистящих средств в воде.

10 Вывоз в отходы



Этот символ и система утилизации имеют значение только в странах ЕС и не находят применения в других странах мира.

Ваше изделие было изготовлено из материалов и компонентов высокого качества, могущих быть повторно использованными или утилизированными.

Электрические и электронные материалы, на которых имеется указанный символ, в конце срока службы должны выбрасываться отдельно от бытовых отходов.

Просим вывезти это устройство в Центр сбора или на экологическую станцию.

В Европейском Сообществе существуют системы дифференцированного сбора мусора для электронных и электрических изделий.

11 Технические параметры

11.1 Общее

Полностью изготовлен из технополимера (поликарбонат). Порошковая краска. Цвет RAL9002

Солнечный козырек из ABS пластика

Эпоксиполиэстеровое порошковое покрытие, цвет RAL9002

Внешние винты из нержавеющей стали

11.2 Механика

Кабельная муфта: 1xM12, 1xM16, 1xM20

Окно из поликарбоната (ШxВ): 105x64mm

Полезные внутренние размеры (WxHxL): 70x70x230mm

Вес устройства: 1,6kg

11.1 Электрические характеристики

Потребляемая мощность на входе: PoE класса 3 (13W) или Hi-PoE класса 4 (25W), выбирается с dip-переключателя

Доступная мощность для камеры (PoE IN класса 3): PoE класса 2 (7W)

Доступная мощность для камеры (Hi-PoE IN класса 4): PoE класса 3 (13W) с функцией "cold start" Ton -10°C ±2°C

Линия данных: 10/100Base-T

Осветитель GEKO IRH малой мощности: 6W

Нагреватель: 8W, прошедший электронную проверку, Ton 20°C±2°C, Toff 23°C±2°C

Вентилятор с термостатом для охлаждения телекамеры для версий с двойным фильтром: Ton 35°C±2°C, Toff 32°C±2°C

Антизапотевание с помощью нагнетаемого горячего воздуха: Потребление 5W макс.

Совместим с IEEE 802.3af, IEEE 802.3at/PoE Plus

Совместимость с инжектором питания (ОНЕPOWINJ: дополнительный аксессуар VIDEOTEC)

11.2 Среда

Внутренняя/Наружная установка

Рабочая температура: От -10°C а +60°C

Рабочая температура (с нагревателем): От -30°C а +60°C

Сопrotивляемость химическим компонентам

- Высокое сопротивление: Основания, спирт, газа, углеводород
- Высокая прочность: Органические кислоты, неорганические кислоты, масла
- Плохая сопротивляемость: Растворитель

11.3 Сертификация

Электрическая безопасность (CE): EN60950-1

Электромагнитная совместимость (CE): EN50130-4, EN61000-6-4

Степень защиты IP корпуса: EN60529

- IP66/IP67 (с кабельной муфтой)
- IP66/IP67 (с внутренним прохождением кабелей с уплотнительными кольцами)
- IP55 (с кронштейном с внутренним прохождением кабелей.)
- IP44 (для моделей с двойным фильтром для вентиляции)

Степень защиты IK: EN62262, IK10

Сертификация UL:

- cULus Listed, TYPE 4X (за исключением версий с двойным фильтром для воздухообмена.)
- UL94, V1 (Соответствие пожарной безопасности на негорючесть)

Сертификат EAC

12 Технические чертежи

i Размеры в чертежах выражены в миллиметрах.

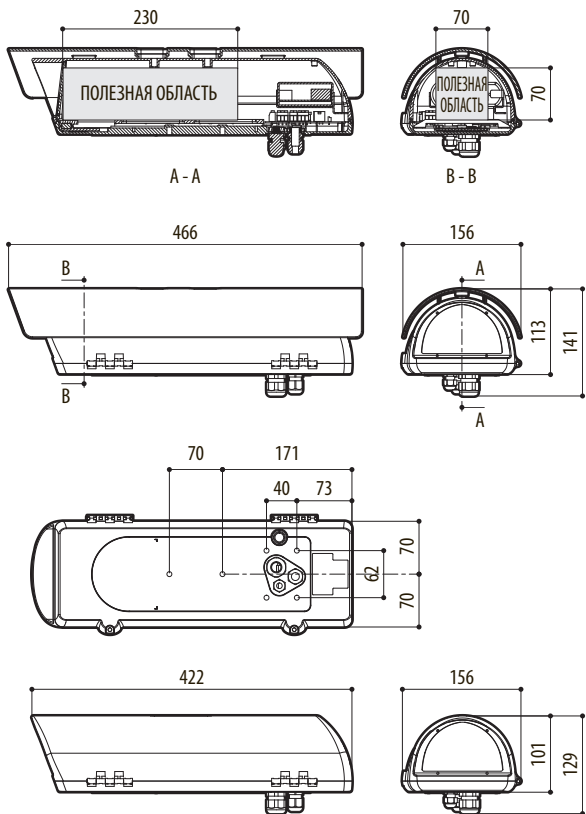


Рис. 17 VERSO Hi-PoE IPM.

Headquarters Italy Videotec S.p.A.
Via Friuli, 6 - I-36015 Schio (VI) - Italy
Tel. +39 0445 697411 - Fax +39 0445 697414
Email: info@videotec.com

Asia Pacific Videotec (HK) Ltd
Flat 8, 19/F. On Dak Industrial Building, No. 2-6 Wah Sing Street
Kwai Chung, New Territories - Hong Kong
Tel. +852 2333 0601 - Fax +852 2311 0026
Email: info.hk@videotec.com

France Videotec France SARL
Immeuble Le Montreal, 19bis Avenue du Québec, ZA de Courtaboeuf
91140 Villebon sur Yvette - France
Tel. +33 1 60491816 - Fax +33 1 69284736
Email: info.fr@videotec.com

Americas Videotec Security, Inc.
Gateway Industrial Park, 35 Gateway Drive, Suite 100
Plattsburgh, NY 12901 - U.S.A.
Tel. +1 518 825 0020 - Fax +1 518 825 0022
Email: info.usa@videotec.com - www.videotec.us



www.videotec.com

MNVCHPVHPOE_1511_RU

Headquarters Italy Videotec S.p.A.

Via Friuli, 6 - I-36015 Schio (VI) - Italy

Tel. +39 0445 697411 - Fax +39 0445 697414

Email: info@videotec.com

Asia Pacific Videotec (HK) Ltd

Flat 8, 19/F. On Dak Industrial Building, No. 2-6 Wah Sing Street

Kwai Chung, New Territories - Hong Kong

Tel. +852 2333 0601 - Fax +852 2311 0026

Email: info.hk@videotec.com

France Videotec France SARL

Immeuble Le Montreal, 19bis Avenue du Québec, ZA de Courtaboeuf
91140 Villebon sur Yvette - France

Tel. +33 1 60491816 - Fax +33 1 69284736

Email: info.fr@videotec.com

Americas Videotec Security, Inc.

Gateway Industrial Park, 35 Gateway Drive, Suite 100

Plattsburgh, NY 12901 - U.S.A.

Tel. +1 518 825 0020 - Fax +1 518 825 0022

Email: info.usa@videotec.com - www.videotec.us



www.videotec.com

MNVCHPVHPOE_1511