

EXDTRX

TELEMETRY RECEIVER FOR EXPT EX-PROOF P&T UNITS

MAIN FEATURES

17 functions, preset, glass protection device and alarm feature included

IP66

230Vac or 24Vac power supply

EXDTRX3 feeds the Pan & Tilt heater

4 holes for cable glands 3/4" NPT

Up to 40 preset positions

4 alarm inputs (prepositioning in case of alarm)

Preset Autotest functions

Selectable communication: RS-232 and RS-485

Compatible with protocol PELCO D

DESCRIPTION

Telemetry receiver in explosion-proof box for the control of EXPTC and EXPTD explosion-proof Pan & Tilt. Allows installation in potentially hazardous areas.

EXDTRX controls the explosionproof P&T functions, including the preset and optics functions.

Epoxy powder painting, colour RAL 7032. 4 holes 3/4 "NPT for cable glands.

Available in 230Vac, EXDTRX3, and in 24Vac, EXDTRX324.



EXDTRX324



EXDTRX3



EXDTRX

TECHNICAL DATA

GENERAL

Constructed from aluminium alloy
Neoprene gaskets
Stainless steel external screws
Epoxy polyester powder painting, RAL7032 color
Supplied with 2x3/4" NPT plugs

MECHANICAL

External dimensions: 410x410x296mm (16x16x11.7in)
Internal dimensions: 353x353x206mm (14x14x8.1in)
Unit weight:

- EXDTRX324: 29kg (64lb)
- EXDTRX3: 32kg (70.5lb)

ELECTRICAL

Supply voltage

- IN 230Vac, 50/60Hz, 40W max
- IN 24Vac, 50/60Hz, 40W max

Maximum switching power: 100W
Power supplied to the positioning device: IN 24Vac, 50/60Hz
Power supplied to glass protection device: IN 24Vac
Power supplied to the lens: OUT 3-12Vdc (max 100mA)
999 selectable addresses through Dip Switches
Ability of using both polarity inversion lenses and common wire lenses
LED indicating power supplied to the unit
LED indicating active functions
EEPROM for the storage of active options
16 bit microcontroller with re-programmable Flash memory
PRESET / SCAN / PATROL functions with an automatic recognition of the existing functions
Ability to memorize up to 40 PRESET positions with VIDEOTEC MACRO (DCJ and DCT keyboards) and PELCO D protocol
4 alarm contacts set as N.O. or N.C.
Communications:

- Selectable serial input (RS-232, Current Loop, RS-485)
- Selectable communication speed (38400/19200/9600/1200/300 baud rate)
- Repeater RS-232 or RS-485

Protocols:

- PELCO D (2400, 4800, 9600, 19200 baud rate)
- VIDEOTEC (300, 1200, 9600, 19200 baud rate)
- VIDEOTEC MACRO (1200, 9600, 19200, 38400 baud rate)

ENVIRONMENT

For installation indoors and outdoors
Operating temperature: 0°C (32°F)/+40° (104°F)
Certification temperature: -20°C (-4°F)/+40° (104°F)

CERTIFICATIONS

ATEX

Ex d IIC T6 Gb
Ex tb IIIC T85°C Db IP66
CE 0722: notify number from competent body

EAC EX

Ex II 2 GD Ex d IIC T6, IP66 -20°C/+40°C
Ex tb IIIC T85°C, IP66, -20°C/+40°C

PART NUMBER

EXDTRX3 Data telemetry receiver 17 functions, 230Vac
EXDTRX324 Data telemetry receiver 17 functions, 24Vac

ACCESSORIES

OCTEX3/4C Cable gland in nickel-plated brass with gasket EX 3/4" NPT, unarmoured cable IECEX-ATEX-EAC Ex
OCTEXA3/4C Cable gland in nickel-plated brass with gasket EX 3/4" NPT, armoured cable IECEX-ATEX-EAC Ex
OCTEXB3/4C Barrier cable gland in nickel-plated brass 3/4" NPT, unarmoured cable IECEX-ATEX-EAC Ex
OCTEXBA3/4C Barrier cable gland in nickel-plated brass 3/4" NPT, armoured cable IECEX-ATEX-EAC Ex
OCTEX3/4 Cable gland in nickel-plated brass with gasket EX 3/4" NPT, unarmoured cable ATEX
OCTEXA3/4 Cable gland in nickel-plated brass with gasket EX 3/4" NPT, armoured cable ATEX
OCTEXB1/2C Barrier cable gland in nickel-plated brass EX 1/2" NPT, unarmoured cable IECEX-ATEX-EAC Ex
OCTEX1/2C Cable gland in nickel-plated brass EX 1/2" NPT, unarmoured cable IECEX-ATEX-EAC Ex, with gasket from 3 to 8mm (0.12 to 0.31in)
OCTEXS1/2C Cable gland in nickel-plated brass EX 1/2" NPT, unarmoured cable IECEX-ATEX-EAC Ex, with gasket from 7.5 to 11.9mm (3 to 4.7in)
OCTEXA1/2C Cable gland in nickel-plated brass EX 1/2" NPT armoured cable IECEX-ATEX-EAC Ex, with gasket
OCTEX1/2-3/4C Cable glands reduction in nickel-plated brass 3/4" - 1/2" NPT IECEX-ATEX-EAC Ex
OCTEXP3/4C Conduit cable gland nickel-plated brass 3/4" NPT IECEX-ATEX- c CSA us - EAC Ex (operating temperature: from -60°C (-76°F) up to +80°C (+176°F))
OEXPLUG3/4 Plug EX 3/4" NPT IECEX-ATEX-EAC Ex

RELATED PRODUCTS

EXPTC Ex-proof integrated P&T motors with camera housing
EXPTD Explosion proof Pan & Tilts with integrated camera housing equipped with glass protection device
DCTEL Matrix and telemetry control keyboard
DCJ Keyboard for video and telemetry control
DCT Video and telemetry touch-screen control keyboard
SM82A Video matrix 8 inputs and 2 outputs
SM164B Video matrix 16 inputs and 4 outputs
SM328B Matrix 32 inputs and 8 outputs

PACKAGE

Model Number	Weight	Dimensions (WxHxL)	Master carton
EXDTRX324	30.5kg (67lb)	50x50x36cm (19.7x19.7x14.2in)	(WxHxL) -
EXDTRX3	33.5kg (74lb)	50x50x36cm (19.7x19.7x14.2in)	(WxHxL) -

1/2" NPT CABLE GLAND SELECTION GUIDE

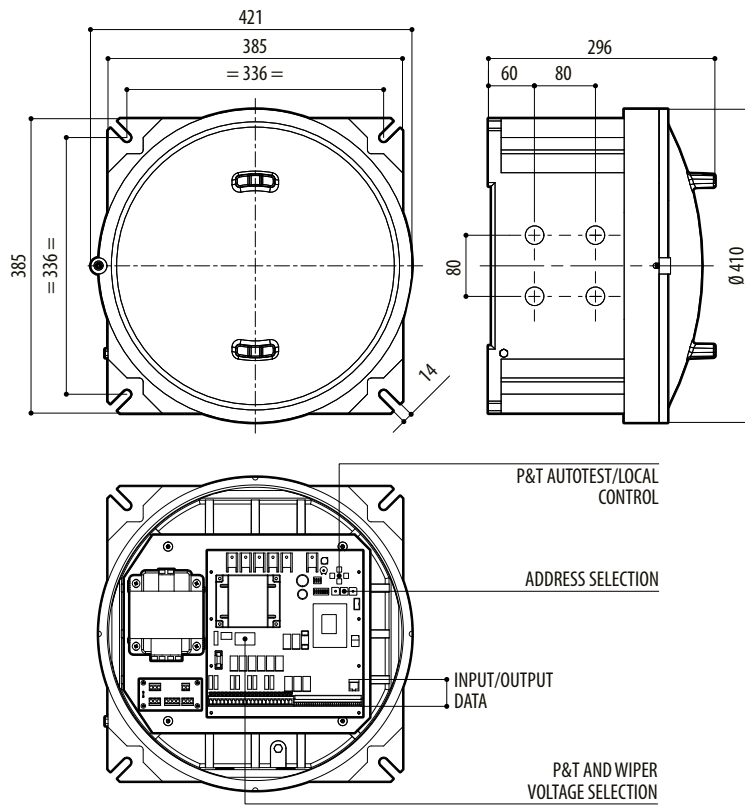
Cable gland type	Certification	Operating temperature	Cable	Cable glands product code	Diameter of the external cable (mm)	Under armor cable diameter (mm)
Barrier	IECEX/ATEX/EAC Ex	-60°C / +80°C (-76°F / +176°F)	Not armoured	OCTEXB1/2C	3 - 8	–
With gasket	IECEX/ATEX/EAC Ex	-60°C / +100°C (-76°F / +212°F)	Not armoured	OCTEX1/2C	3 - 8	–
			Not armoured	OCTEXS1/2C	7.5 - 11.9	–
			Armoured	OCTEXA1/2C	12.5 - 20.5	8.4 - 14.3

3/4" NPT CABLE GLAND SELECTION GUIDE

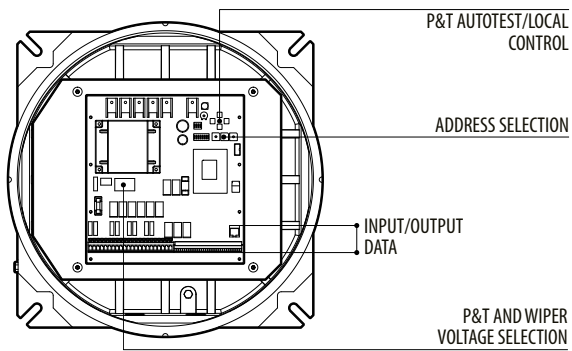
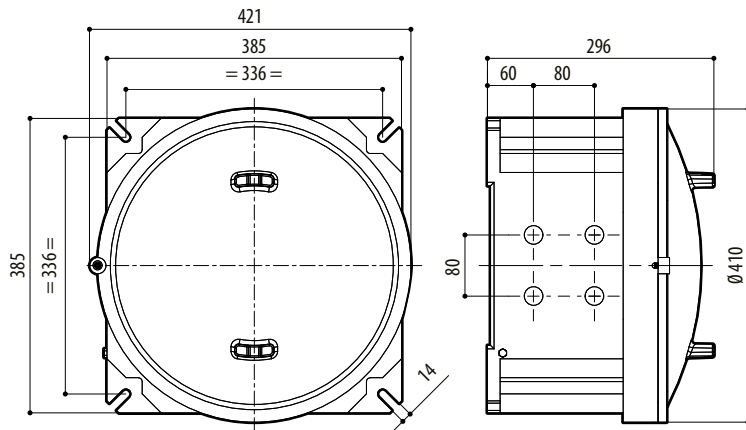
Cable gland type	Certification	Operating temperature	Cable	Cable glands product code	Diameter of the external cable (mm)	Under armor cable diameter (mm)
Barrier	IECEX/ATEX/EAC Ex	-60°C / +80°C (-76°F / +176°F)	Not armoured	OCTEXB3/4C	13 - 20.2	–
			Armoured	OCTEXBA3/4C	16.9 - 26	–
With gasket	IECEX/ATEX/EAC Ex	-60°C / +100°C (-76°F / +212°F)	Not armoured	OCTEX3/4C	13 - 20.2	–
			Armoured	OCTEXA3/4C	16.9 - 26	11.1 - 19.7
	ATEX	-20°C / +80°C (-4°F / +176°F)	Not armoured	OCTEX3/4	14 - 17	–
			Armoured	OCTEXA3/4	18 - 23	14 - 17

TECHNICAL DRAWINGS

The dimensions of the drawings are in millimetres.



EXDTRX3



EXDTRX324