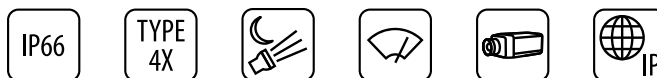


ULISSE COMPACT HD

OUTDOOR FULL HD PTZ CAMERA FOR DETAILED IMAGES AND SUPERIOR PERFORMANCE



ULISSE COMPACT HD + LED ILLUMINATOR

ULISSE COMPACT HD + UCCMA



DESCRIPTION

The ULISSE COMPACT HD is an IP66 Full HD network PTZ camera that delivers excellent high-definition picture quality.

The Full HD camera integrates a 30x optical zoom lens and is able to accurately identify specific details of a scene.

The flexible operator control of Pan/Tilt/Zoom functions allows the images transmission over Ethernet with H.264/AVC and MJPEG compression, certified ONVIF, Profile S.

This HD PTZ camera can deliver from 2 to 4 H.264/AVC or MJPEG streams simultaneously, up to a total of 20Mbits depending on the unit configuration.

The ULISSE COMPACT HD response to operator commands is immediate.

The Videotec's PTZ ASSISTANT plug-in software supports any VMS with the control of all special functions such as wiper, washer pump, IR and Auto Focus.

Furthermore, the de-fog feature allows clearer and natural viewing in foggy or misty scenes; when activated, the camera detects the haze level and automatically applies the required effects.

ULISSE COMPACT HD withstands harsh external environments, ensuring high speed and accurate target detection at any time, with zero maintenance.

Thanks to its robustness and accuracy, this PTZ camera unit is the ideal solution for demanding security applications, including: traffic and highways control, stadiums, industrial surveillance, prisons, military installations, borders and perimeter surveillance.

MAIN FEATURES

Camera Full HD 1080p, 30x, 60fps

Minimum Illumination:

- Colour: 1.4lx, F1.6 AGC on, 1/30s 50 IRE (Normal mode)
- Colour: 0.35lx, F1.6 AGC on, 1/30s, 50 IRE (High Sensitivity mode)
- B/W: 0.05lx, F1.6 AGC on, 1/30s, 50 IRE (Normal mode)
- B/W: 0.013lx, F1.6 AGC on, 1/30s, 50 IRE (High sensitivity mode)

Video compression H.264/AVC and MJPEG

Certified ONVIF, Profile S

Day/Night (Auto ICR: automatic removal of IR filter)

De-fog function

Up to 4 simultaneous video streams

1 alarm input and 1 relay output

Variable speed: from 0.1°/s up to 200°/s horizontal and vertical movement

Horizontal continuous rotation, vertical from -90° up to +90°

Position accuracy: 0.05°

Up to 250 Presets

Integrated wiper

Total control of the auxiliary functions through the Videotec PTZ ASSISTANT

Power supply: 230Vac, 24Vac or 120Vac

Options:

- LED illuminator

TECHNICAL DATA

GENERAL

Easy installation thanks to the self-centring connector
Zero backlash
Quick configuration and setup
Dynamic positioning control system
Functions: Autopan, Preset, Patrol, Tour (maximum 1), Autoflip
Maximum number of presets: 250

MECHANICAL

Constructed from aluminium and tecnopolymer
Epoxy polyester powder painting, RAL9002 colour
Horizontal rotation: 360°, continuous rotation
Vertical rotation: from -90° up to +90°
Horizontal speed (variable): from 0.1°/s up to 200°/s
Tilt speed (variable): from 0.1°/s up to 200°/s
Accuracy of preset positions: 0.05°
Cable glands: 2xM16, 2xM12
Unit weight: 12.5kg (28lb) (13kg (28.7lb) with LED illuminator)

ELECTRICAL

Supply voltage/Current consumption:

- 230Vac, 0.4A, 50/60Hz
- 120Vac, 0.8A, 50/60Hz
- 24Vac, 4A, 50/60Hz

Power consumption:

- 40W, P&T static, heating switched off
- 60W, P&T in motion, heating switched off
- 125W, peak at start-up, heating switched on

Power consumption with illuminator on:

- 55W, P&T static, heating switched off
- 75W, P&T in motion, heating switched off
- 140W, peak at start-up, heating switched on

Cables input section: from 0.75mm² (18AWG) up to 1.5mm² (15AWG)
Cables signal section: from 0.14mm² (26AWG) up to 1.5mm² (15AWG)

NETWORK

Ethernet connection: 10BASE-T/100BASE-T
Connector: RJ45
Cable length: 100m max

VIDEO

Video encoder

- Communication protocol: ONVIF, Profile S
- Device configuration: TCP/IPv4-IPv6, UDP/IPv4-IPv6, HTTP, HTTPS, NTP, DHCP, WSDISCOVERY, QoS, DSCP, IGMP (Multicast), SOAP, DNS, SNMP
- Streaming: RTSP, RTCP, RTP/IPv4, Multicast
- Video compression: H.264/AVC, MJPEG
- 2 independent video streams Full HD or 4 independent video streams depending on the configuration
- Image resolution: from FullHD to 352x240 in 18 steps
- Selectable frame rate from 1 to 60 images per second (fps)
- Web Server
- Directional OSD
- Motion detection

I/O INTERFACE

I/O alarm board

- Alarm inputs: 1
- Relay outputs: 1 (1A, 30Vac/60Vdc max)

CAMERAS

Day/Night Full HD 30x

Resolution: Full HD 1080p (1920x1080pixel)
Image Device: 1/2.8 type Exmor™ CMOS sensor
Effective Pixels: approx. 2.38 Megapixels
Minimum Illumination, colour (ICR-OFF):

- 1.4lx, 1/30s, 50 IRE (Normal mode)
- 0.35lx, 1/30s, 50 IRE (High sensitivity mode)
- 0.19lx, 1/3s, 50 IRE (Normal mode)
- 0.05lx, 1/3s, 50 IRE (High sensitivity mode)

Minimum Illumination, B/W (ICR-ON):

- 0.05lx, 1/30s, 50 IRE (Normal mode)
- 0.013lx, 1/30s, 50 IRE (High sensitivity mode)
- 0.002lx, 1/3s, 30 IRE (High sensitivity mode)

Lens: f=4.3 mm (wide) ~ 129.0 mm (tele), from F1.6 to F4.7
Zoom: 30x (360x with digital zoom)
Horizontal Viewing Angle: from 63.7° (wide end) up to 2.3° (tele end)
Minimum object distance: from 10mm (wide) up to 1200mm (tele)
Shutter speed: 1/1 to 1/10000 s, 22 steps
White balance: Auto, ATW, Indoor, Outdoor, Outdoor Auto, Sodium vapor lamp (Fix, Auto, Outdoor Auto), One-push, Manual
Gain: Auto, Manual, Gain Limit (from 3dB up to 43dB, steps: 3dB)
Wide Dynamic Range: On/Off/Visibility enhancer, Light level, Brightness Compensation selection, Compensation level
Focus System: Auto (Sensitivity: Normal, Low), One-push AF, Manual, Focus compensation with ICR On, Interval AF, Zoom trigger AF
Picture Effects: E-flip, Mirror image, Color enhancement
Exposure Control: Auto, EV Compensation, Manual, Priority (Shutter priority, Iris priority), Brightness, Slow AE
S/N Ratio: more than 50dB
Wide-D (wide dynamic range): Yes (130dB)
De-fog: Yes (On/Off)
Backlight Compensation: Yes

ILLUMINATORS

LED illuminator

Horizontal beam: 10° or 30°

Wavelength: 850nm, 940nm, white light

Auto power on through integrated sensor or by VMS

The camera and the light beam are factory aligned

The pre-installed illuminator does not slow down the P&T's rotation speed

ENVIRONMENT

For installation indoors and outdoors

Operating temperature

- Continuous working: from -40°C (-40°F) up to +60°C (140°F)
- Non continuous working (absolute maximum temperature for short periods): +65°C (149°F)

Wind resistance

- Operational: up to 160km/h (99.4mph)
- Stationary: up to 210km/h (130.5mph)

Surge immunity: up to 2kV line to line, up to 4kV line to earth (Class 4)

Relative humidity: from 10% up to 95% (no condensation)

CERTIFICATIONS

Electrical safety (CE): EN60950-1, IEC60950-1

Electromagnetic compatibility (CE): EN610000-6-4, EN50130-4, EN55022 (Class A), FCC Part 15 (Class A)

Outdoor installation (CE): EN60950-22, IEC60950-22

Photobiological safety (CE): EN62471

IP protection degree (EN60529): IP66

UL certification: cULus Listed, TYPE 4X

EAC certification

ACCESSORIES

UPTJBUL	Junction weatherproof box for cables connexion (according UL norm)
WASPT0V5L5M00	Water tank 5l (1.3gal), pump with delivery up to 5m (16ft), IN 230Vac-24Vac-120Vac
WASPT0V23L5M00	Water tank 23l (6 gal), pump with delivery up to 5m (16ft), IN 230Vac-24Vac-120Vac
WASPT0V23L11M00	Water tank 23l (6 gal), pump with delivery up to 11m (36ft) with water floating, IN 230Vac-24Vac-120Vac
WASPT1V23L30M00	Water tank 23l (6 gal), pump with delivery up to 30m (98ft) with water floating, IN 230Vac
WASPT3V23L30M00	Water tank 23l (6 gal), pump with delivery up to 30m (98ft) with water floating, IN 120Vac
WASN1V10L20M00	Tank 10l (2.6gal) with integrated manual pump controlled by solenoid valve, delivery head up to 20m (66ft) max, IN 230Vac
WASN2V10L20M00	Tank 10l (2.6gal) with integrated manual pump controlled by solenoid valve, delivery head up to 20m (66ft) max, IN 24Vac
WASN3V10L20M00	Tank 10l (2.6gal) with integrated manual pump controlled by solenoid valve, delivery head up to 20m (66ft) max, IN 120Vac

BRACKETS AND ADAPTORS

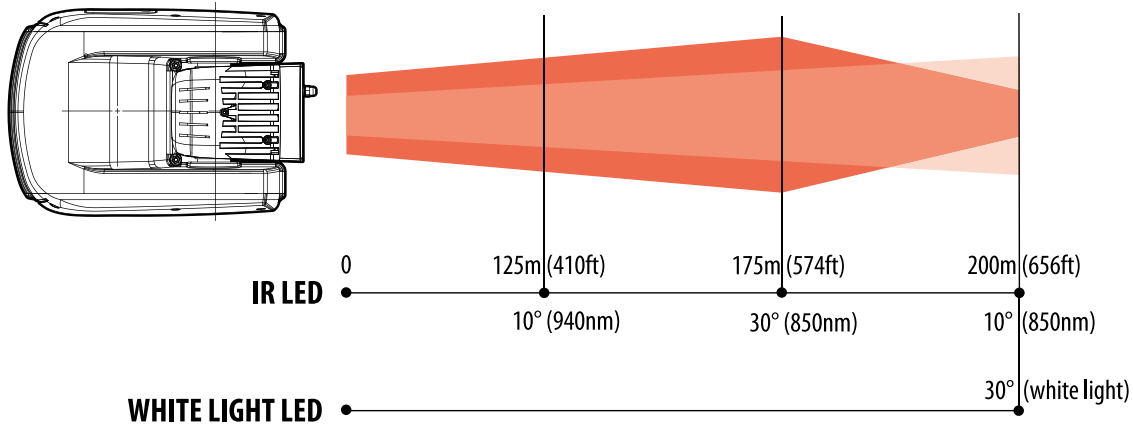
UPTWBA	Wall bracket with internal cable channel
UPTWBTAB	Parapet bracket with internal cable channel
WCWGC	Corner mount adaptor
PTCC1	Pole mount adaptor
UCCMA	Ceiling bracket for upside down mounting and working of ULISSE COMPACT

PACKAGE

Model Number	Weight	Dimensions (WxHxL)	Master carton
UCHD1FWAZ00A	16.5kg (36lb)	66x33x57cm (26x13x22in)	-

ULISSE COMPACT HD - CONFIGURATION OPTIONS

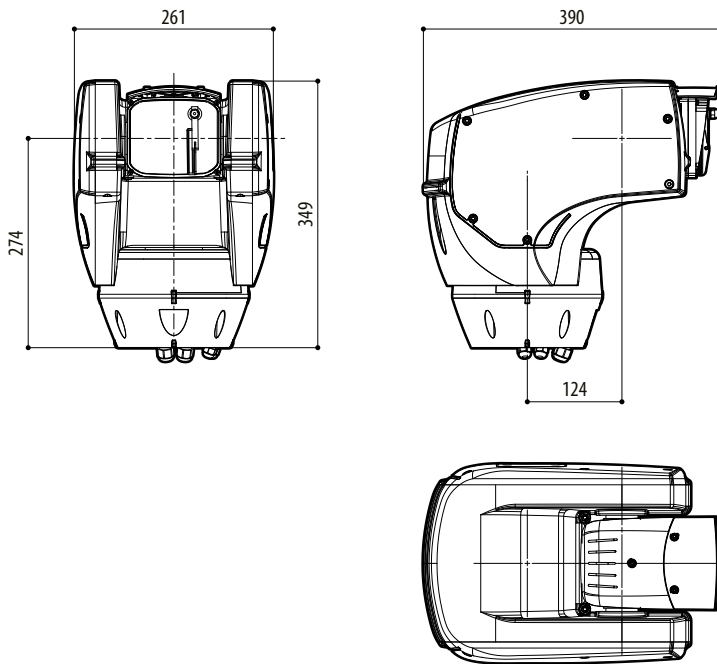
	Voltage	Camera	Options		Video Output	
U CHD	1 230Vac	F Day/Night camera 30X zoom, FullHD	W With wiper, 1 input, 1 output	A	Z IP H.264/AVC control, Protocol ONVIF Profile S	00A
	2 24Vac		N With wiper, 1 input, 1 output, IR LED illuminator 10°, 940nm			
	3 120Vac		U With wiper, 1 input, 1 output, IR LED illuminator 30°, 850nm			
			T With wiper, 1 input, 1 output, IR LED illuminator 10°, 850nm			
			Z With wiper, 1 input, 1 output, LED illuminator 30°, white light			



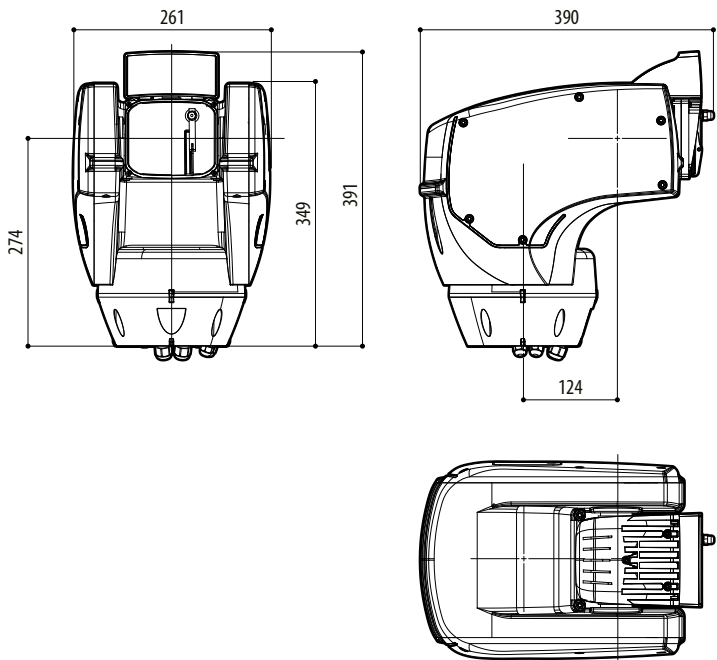
The distances and the performance depend on the environmental light conditions.

TECHNICAL DRAWINGS

The indicated measurements are expressed in millimetres.



ULISSE COMPACT HD



ULISSE COMPACT HD WITH LED ILLUMINATOR