

ULISSE NETCAM

OUTDOOR FULL IP PTZ UNIT FOR NETWORK CAMERAS



MAIN FEATURES

Housing for compact lenses

For Network cameras compatible with ONVIF protocol, Profile S, or equipped with RS485 serial port

Direct access to camera web pages via VT Tunneling

Autopan, Preset, Patrol

Variable speed: 0.02°-100°/s Pan; 0.02°-40°/s Tilt

Variable speed with UPTIRN LED illuminators: Pan 0.02°-40°/s - Tilt 0.02°-30°/s

Horizontal continuous rotation, vertical +90°/-40°

Position accuracy: 0.02°

Up to 250 Presets

Total control of the auxiliary functions through the Videotec PTZ ASSISTANT

Operating temperature: -20°C / +60°C (-4°F / +140°F)

Power supply: 230Vac, 24Vac or 120Vac

OPTIONS:

Germanium window for thermal cameras

Prearrangement for mounting of two UPTIRN LED illuminators

Cold pack for low temperature down to -30°C (-22°F)

Wiper

DESCRIPTION

ULISSE NETCAM is a powerful Full-IP PTZ for outdoor IP video surveillance, which can manage modern IP SD, HD and Megapixel cameras, with integration in a network system.

ULISSE NETCAM ensures maximum surveillance coverage in all outdoor environments, even the most difficult. It can operate 24 hours a day in demanding security applications, without requiring maintenance work.

This model can contain cameras with compact lenses.

A special feature of ULISSE NETCAM is the ability to easily control, via the network, all the camera's pan & tilt functions, including wiper, preset and set-up, using the most common VMS on the market. It is possible to use any ONVIF compatible Profile S camera, or proprietary protocol on RS-485, whilst the entire management of the system only requires an IP address.

The Videotec's PTZ ASSISTANT plug-in software supports any VMS with the control of all special functions such as wiper, washer pump and IR.

The PTZ unit can be equipped with a wiper for removing rain and dust from the front glass; there is a wide selection of jerry cans with washer pump, different capacities and heads.

To ensure detailed images even during the night hours, versions are available with LED illuminators, with infrared light or white light.

The optimal operation is ensured in very hot environments up to 60°C or in very cold environments up to -30°, thanks to optional enhanced heating.

Models are available for vision with a thermal camera.



ULISSE NETCAM



ULISSE NETCAM + 2 UPTIRN



ULISSE NETCAM FOR THERMAL CAMERAS

TECHNICAL DATA**GENERAL**

Constructed from aluminium and tecnopolymer
 Epoxypolyester powder painting, RAL9002 colour
 Top mount (OTT)
 Transmission through toothed belt
 Slip-ring
 Electronic limit switches
 Simplified installation thanks to the connector and easy replacement on-site
 Zero backlash
 Configuration of telemetry protocol parameters through dip-switch for RS-485

MECHANICAL

Cable glands: 3xM16
 Horizontal rotation: continuous
 Vertical rotation: +90° to -40°
 Horizontal speed (variable): from 0.02°/s up to 100°/s (from 0.02°/s up to 40°/s, with LED illuminators)
 Tilt speed (variable): from 0.02°/s up to 40°/s (from 0.02°/s up to 30°/s, with LED illuminators)
 Internal usable area: See drawings
 Enclosure glass window (WxH): 118x75mm (4.6x2.7in)
 Accuracy of preset positions: 0.02°
 Unit weight: 16.3kg (36lb) (16.8kg (37lb), with LED illuminators bracket)
 ULISSE NETCAM, for thermal cameras:
 Germanium window

- Dimensions (Ø): 70mm (2.8in) (external), 55mm (2.1in) (internal)
- Thick: 2mm (0.07in)
- External scratch-resistant treatment: Hard Carbon Coating (DLC)
- Internal antireflection treatment
- Spectral range: 7.5µm ÷ 14µm
- Medium transmittance (7.5µm ÷ 11.5µm): 94%
- Medium transmittance (11.5µm ÷ 14µm): 90%

ELECTRICAL

Suitable for use with network cameras
 Power supply/Current consumption:

- 230Vac, 0.4A, 50/60Hz
- 24Vac, 4A (8A with LED illuminators), 50/60Hz
- 120Vac, 0.8A, 50/60Hz

 Power consumption:

- 100W
- 150-190W max with LED illuminators in 24Vac
- 24W, P&T static, heating switched off

 Camera power supply: 12Vdc (800mA)
 4 self-powered alarm inputs
 2 dry contacts: 30Vdc max 0.30Vac, @ 1A

COMMUNICATIONS

Ethernet connection: IEEE 802.3 100Base-Tx

PROTOCOLS

ONVIF, Profile S

ENVIRONMENT

Indoor/Outdoor
 Operating temperature (with heater): -20°C (-4°F)/+60°C (140°F)
 Operating temperature (with reinforced heater): -30°C (-22°F)/+60°C (140°F)
 Wind resistance (without LED illuminators):

- Operational: up to 160km/h
- Stationary: up to 210km/h

 Surge immunity: up to 2kV line to line, up to 4kV line to earth (Class 4)

CERTIFICATIONS

Electrical safety (CE): EN60950-1, IEC60950-1
 Electromagnetic compatibility (CE): EN50130-4, EN61000-6-4, EN55022 (Class A), FCC Part 15 (Class A)
 Outdoor installation (CE): EN60950-22, IEC60950-22
 Photobiological safety (CE): EN62471 (LED illuminators)
 IP protection degree: EN60529, IP66
 Salty fog resistance: EN50130-5, EN60068-2-52
 UL certification: cULus Listed (TYPE 4X) (not for thermal cameras version)
 EAC certification

ACCESSORIES

UPTIRN108A00	LED illuminator for ULISSE, 10°, 850nm, 24Vac - 12/24Vdc
UPTIRN308A00	LED illuminator for ULISSE, 30°, 850nm, 24Vac - 12/24Vdc
UPTIRN608A00	LED illuminator for ULISSE, 60°, 850nm, 24Vac - 12/24Vdc
UPTIRN109A00	LED illuminator for ULISSE, 10°, 940nm, 24Vac - 12/24Vdc
UPTIRN309A00	LED illuminator for ULISSE, 30°, 940nm, 24Vac - 12/24Vdc
UPTIRN10WA00	LED illuminator for ULISSE, 10°, white light, 24Vac - 12/24Vdc
UPTIRN30WA00	LED illuminator for ULISSE, 30°, white light, 24Vac - 12/24Vdc
UPTIRN60WA00	LED illuminator for ULISSE, 60°, white light, 24Vac - 12/24Vdc
UPTIRPS230N	External power supply for ULISSE series, prearranged for two LED illuminators, and control to synchronize IR illuminators with camera Day/Night switching, IN 230Vac, in weatherproof box. Twilight sensor included.
UPTIRPS100N	External power supply for ULISSE series, prearranged for two LED illuminators, and control to synchronize IR illuminators with camera Day/Night switching, IN 100Vac, in weatherproof box
UPTIRPS120UL	External power supply for ULISSE series, prearranged for two LED illuminators, and control to synchronize IR illuminators with camera Day/Night switching, IN 120Vac, in weatherproof box. Twilight sensor included.
UPTJBUL	Junction weatherproof box for cables connexion (according UL norm)
UPTHT1	Cold pack for low temperature 24Vac, 30W
WASPTOV5L5M00	Water tank 5l (1 gal), pump with delivery up to 5m (16ft), IN 230Vac-24Vac-120Vac
WASPTOV23L5M00	Water tank 23l (6 gal), pump with delivery up to 5m (16ft), IN 230Vac-24Vac-120Vac
WASPTOV23L11M00	Water tank 23l (6 gal), pump with delivery up to 11m (36ft) with water floating, IN 230Vac-24Vac-120Vac
WASPT1V23L30M00	Water tank 23l (6 gal), pump with delivery up to 30m (98ft) with water floating, IN 230Vac
WASPT3V23L30M00	Water tank 23l (6 gal), pump with delivery up to 30m (98ft) with water floating, IN 120Vac

BRACKETS AND ADAPTORS

UPTWBA	Wall bracket with internal cable channel
UPTWBTAB	Parapet bracket with internal cable channel
PTCC1	Pole mount adaptor
WCWGC	Corner mount adaptor

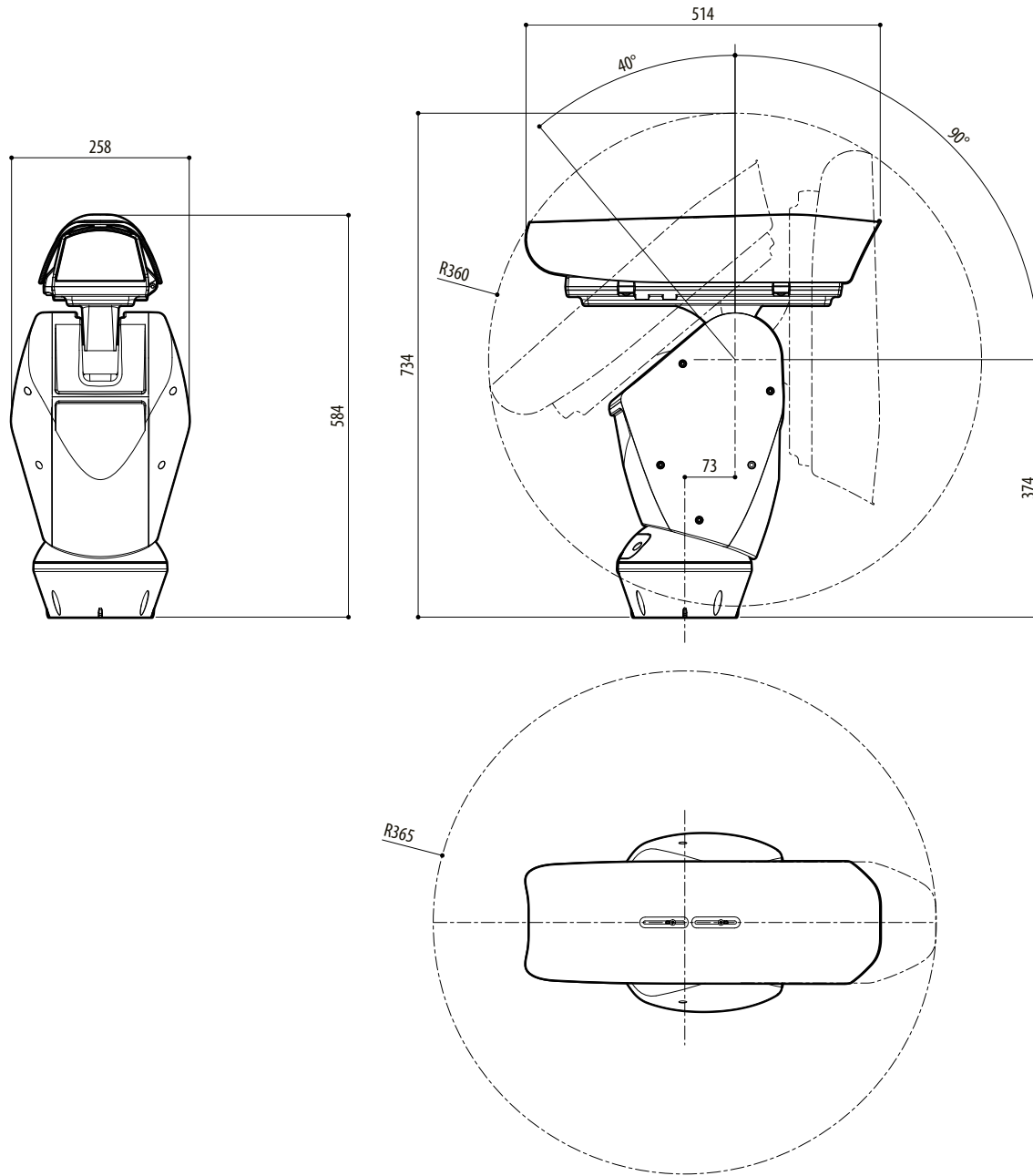
PACKAGE

Model Number	Weight	Dimensions (WxHxL)	Master carton
UPT1SVSAN00E	19.5kg (43lb)	66x33x57cm (26x13x22in)	-
UPT1SVWAN00E	20kg (44lb)	66x33x57cm (26x13x22in)	-
UPT2SVJAN00E	19.5kg (43lb)	66x33x57cm (26x13x22in)	-

ULISSE NETCAM - CONFIGURATION OPTIONS							
	Voltage			Options		Video Output	
UPT	1	230Vac	SV	S Without accessories	A	N For Network cameras compatible with ONVIF protocol, Profile S, or with built-in telemetry output	OOE
	2	24Vac		W With wiper			
	3	120Vac		K With brackets for UPTIRN (only 24Vac, illuminators not included)			
				J With wiper and brackets for UPTIRN (only 24Vac, illuminators not included)			
				G With germanium front window for thermal camera applications			

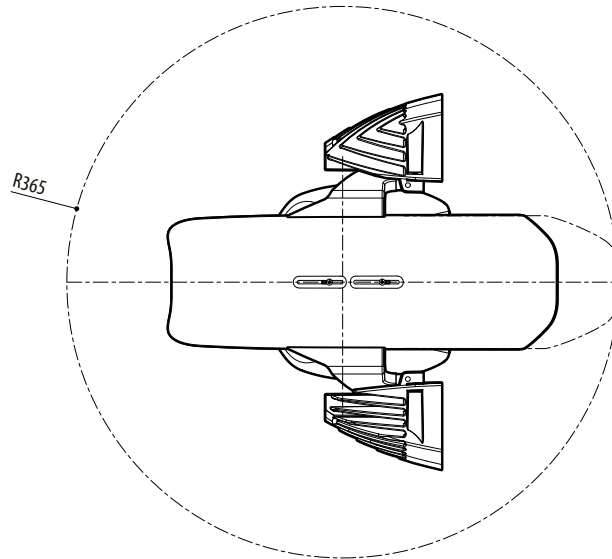
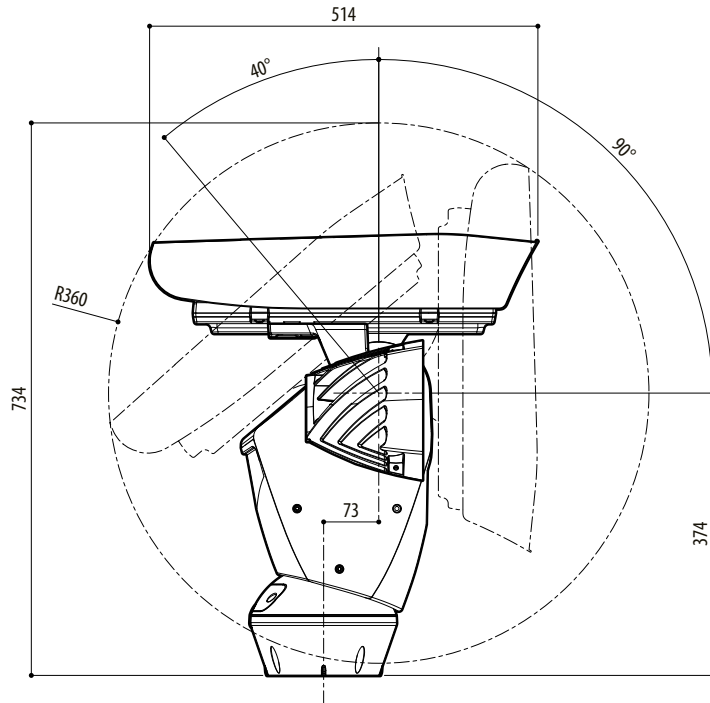
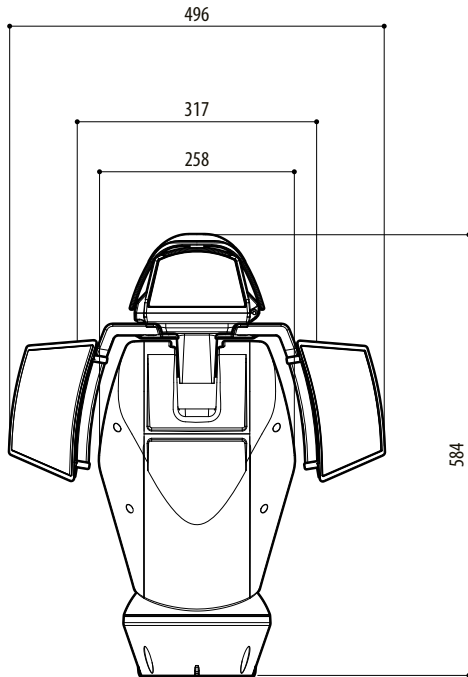
TECHNICAL DRAWINGS

Sizes in millimeters.



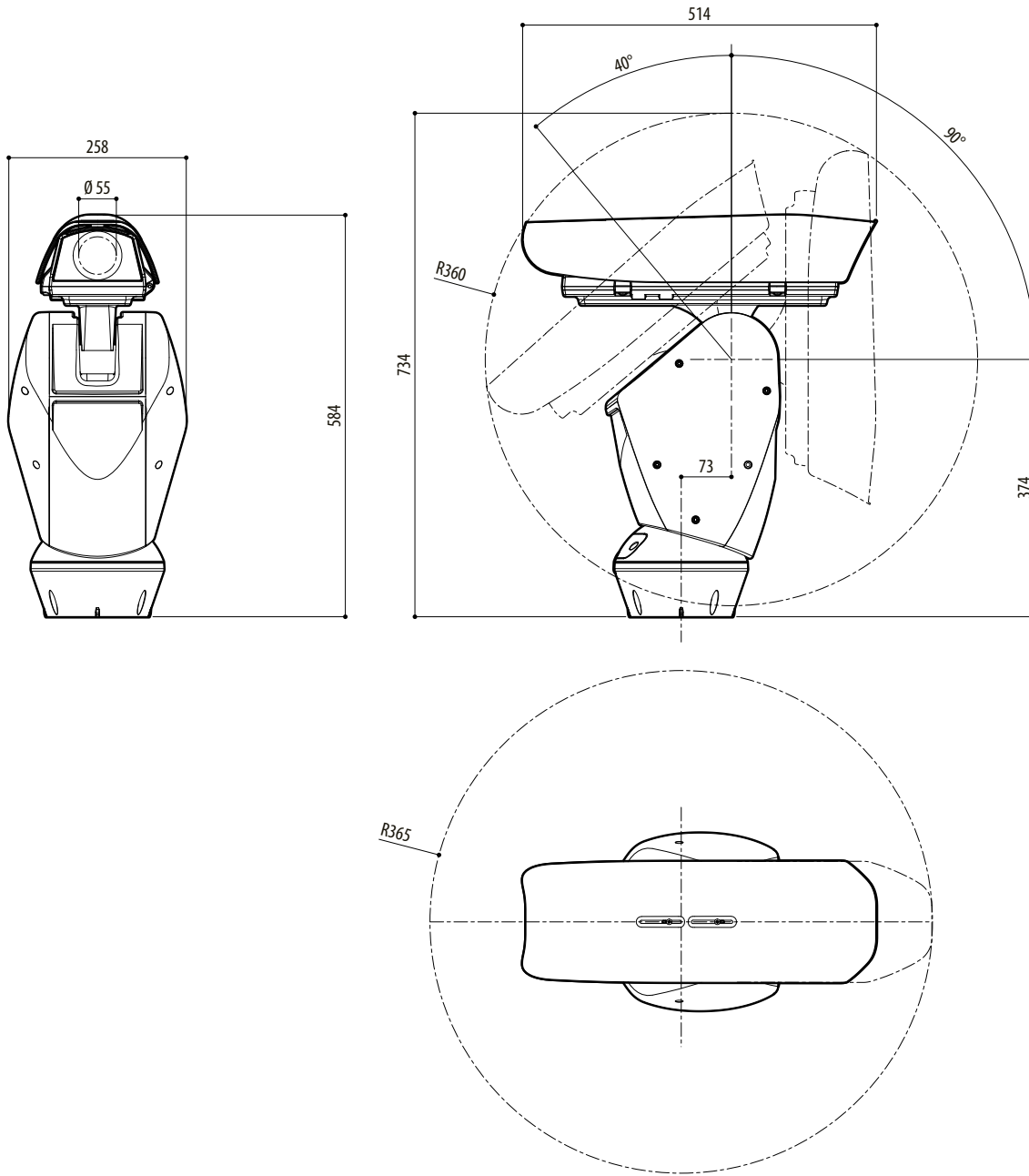
ULISSE NETCAM

Sizes in millimeters.



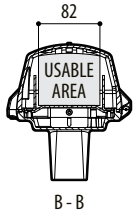
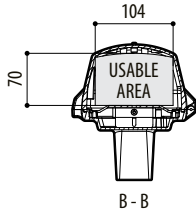
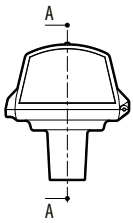
ULISSE NETCAM, PRE-ARRANGED VERSION FOR TWO LED ILLUMINATORS INSTALLATION

Sizes in millimeters.



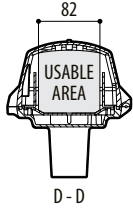
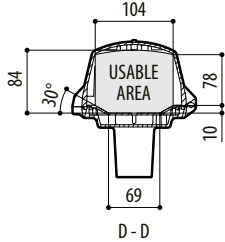
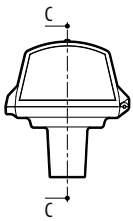
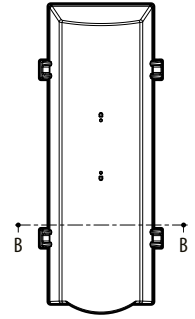
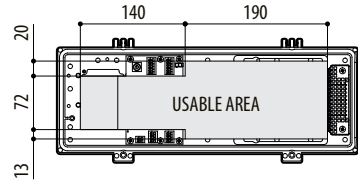
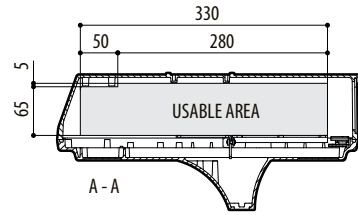
ULISSE NETCAM, VERSION FOR THERMAL CAMERAS

Sizes in millimeters.



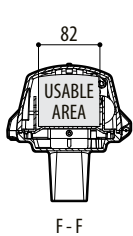
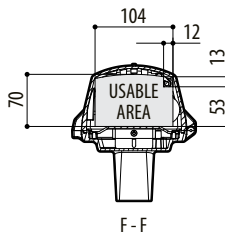
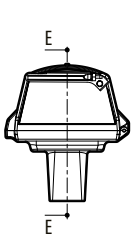
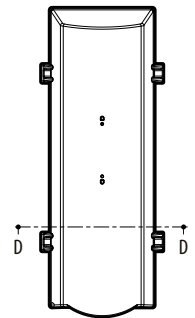
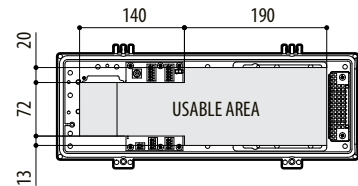
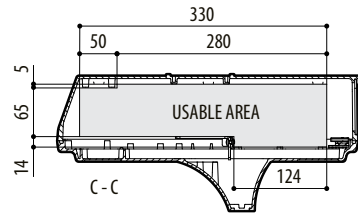
SLIDE IN STANDARD POSITION

SLIDE IN STANDARD POSITION,
REINFORCED HEATER



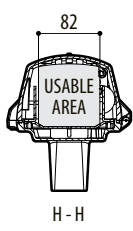
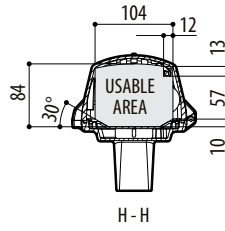
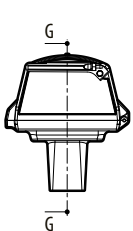
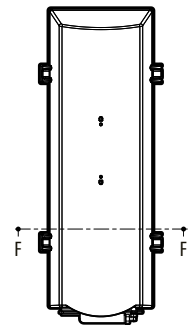
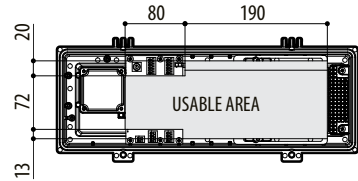
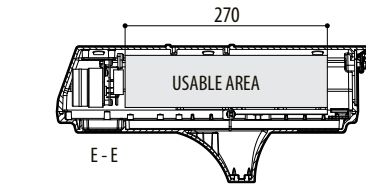
REVERSED SLIDE

SLIDE IN REVERSED SLIDE,
REINFORCED HEATER



SLIDE IN STANDARD POSITION,
INTEGRATED WIPER

SLIDE IN STANDARD POSITION,
INTEGRATED WIPER,
REINFORCED HEATER



REVERSED SLIDE,
INTEGRATED WIPER

REVERSED SLIDE,
INTEGRATED WIPER,
REINFORCED HEATER

