

ULISSE MAXI

PTZ UNIT FOR DYNAMIC MONITORING OF LARGE OUTDOOR AREAS



FEATURES

Variable speed: 0.02°-20°/s Pan and Tilt
 Horizontal continuous rotation, vertical +45°/-20°
 Weatherproof housing for large-size lenses
 IP66
 Optical sensors for absolute positioning feedback
 Camera and lens maximum allowed weight is 7.6kg
 Integrated wiper
 Position accuracy: 0.02°
 Up to 250 Presets
 Operating temperature: -10°C / +60°C (14°F / 140°F)
 Power supply available 230Vac, 24Vac or 120Vac

OPTIONS:

Germanium window for thermal cameras
 Prearrangement for mounting of two UPTIRN LED illuminators

DESCRIPTION

ULISSE MAXI is a robust and efficient PTZ camera unit designed to ensure dynamic and non-stop surveillance of large outdoor areas and withstand harsh weather conditions.

This model can contain and manage the largest motorised lenses on the market, with a total weight of up to almost 8 kilos. This way a single unit can provide a 360° coverage of the area to be monitored.

To ensure detailed images even during the night hours, versions are available with LED illuminators, with infrared light or white light.

The sturdy mechanical structure and the powerful motors of this PTZ are designed to guarantee maximum resistance to high operating stress, vibrations and temperatures between -10°C to +60°C.

The unit is equipped with optical sensors which ensure the accurate control of the position in any condition of use.

The unit is equipped with a wiper for removing rain and dust from the front glass; there is a wide selection of jerry cans with washer pump, different capacities and heads.

Models are available for vision with a thermal camera.



ULISSE MAXI + UPTIRN + UPTWBTAB



ULISSE MAXI

TECHNICAL DATA**GENERAL**

Built in aluminium and ABS
 Epoxy polyester powder painting, RAL9002 colour
 Top mount (OTT)
 Electronic limit switches
 Zero backlash
 Max weight camera+lens: 7.6kg (17lb)
 Optical sensors for absolute positioning feedback
 Maximum number of presets: 250 (VIDEOTECH MACRO)
 15 characters string for Area and Preset titling
 Configuration through OSM
 Addressable through DIP-switch up 255 units

MECHANICAL

Cable glands: 3xM16
 Horizontal rotation: continuous
 Vertical rotation: from +45° up to -20° -4°F
 Horizontal speed (variable): from 0.02°/s up to 20°/s
 Tilt speed (variable): from 0.02°/s up to 20°/s
 Internal usable area: See drawings
 Transmission through toothed belt
 Preset accuracy: 0.02°
 Unit weight: 30kg (66lb)

ELECTRICAL

Power supply/Current consumption:

- 230Vac, 0.4A, 50/60Hz
- 24Vac, 4A (8A with LED illuminators), 50/60Hz
- 120Vac, 0.8A, 50/60Hz

 Power consumption:

- 100W
- 150-190W max with LED illuminators in 24Vac
- 24W, P&T stopped, heating switched off

 Camera power supply: 12Vdc, 800mA
 Cables input section:

- 0.823mm² (18 AWG), 120Vac or 230Vac
- 1.31mm² (16 AWG), 24Vac

 Cables signal section: from 0.518mm² (20 AWG) up to 0.129mm² (26 AWG)

COMMUNICATIONS

Serial line:

- 2 RS-485 lines
- 1 RS-232 line (only for firmware update)

PROTOCOLS

Configuration of telemetry protocol parameters via DIP-switch

Protocols supported:

- AMERICAN DYNAMICS
- PANASONIC
- PELCO D
- VIDEOTECH MACRO
- VISTA

ENVIRONMENT

Indoor/Outdoor

Operating temperature (with heater): From -10° (14°F) up to +60°C (140°F)

CERTIFICATIONS

Electrical safety: EN60950-1

Photobiological safety of lamps and lamp systems (LED illuminators): EN62471

Electromagnetic compatibility: EN55022 (Class A), FCC Part 15 (Class A)

Immunity: EN50130-4

Outdoor installation: EN60950-22

IP protection degree: EN60529 (IP66)

Resistant to salty fog: EN50130-5, EN60068-2-52

EAC certification

ACCESSORIES

UPTJBUL	Junction weatherproof box for cables connexion (according UL norm)
UPTIRN108A00	LED illuminator for ULISSE, 10°, 850nm, 24Vac - 12/24Vdc
UPTIRN308A00	LED illuminator for ULISSE, 30°, 850nm, 24Vac - 12/24Vdc
UPTIRN608A00	LED illuminator for ULISSE, 60°, 850nm, 24Vac - 12/24Vdc
UPTIRN109A00	LED illuminator for ULISSE, 10°, 940nm, 24Vac - 12/24Vdc
UPTIRN309A00	LED illuminator for ULISSE, 30°, 940nm, 24Vac - 12/24Vdc
UPTIRN10WA00	LED illuminator for ULISSE, 10°, white light, 24Vac - 12/24Vdc
UPTIRN30WA00	LED illuminator for ULISSE, 30°, white light, 24Vac - 12/24Vdc
UPTIRN60WA00	LED illuminator for ULISSE, 60°, white light, 24Vac - 12/24Vdc
UPTIRPS230N	External power supply for ULISSE series, prearranged for two LED illuminators, and control to synchronize IR illuminators with camera Day/Night switching, IN 230Vac, in weatherproof box. Twilight sensor included.
UPTIRPS100N	External power supply for ULISSE series, prearranged for two LED illuminators, and control to synchronize IR illuminators with camera Day/Night switching, IN 100Vac, in weatherproof box
UPTIRPS120UL	External power supply for ULISSE series, prearranged for two LED illuminators, and control to synchronize IR illuminators with camera Day/Night switching, IN 120Vac, in weatherproof box. Twilight sensor included.
WASPTOV5L5M00	Water tank 5l, pump with delivery up to 5m (16ft), IN 230Vac-24Vac-120Vac
WASPTOV23L5M00	Water tank 23l, pump with delivery up to 5m (16ft), IN 230Vac-24Vac-120Vac
WASPTOV23L11M00	Water tank 23l, pump with delivery up to 11m (36ft), IN 230Vac-24Vac-120Vac
WASPT1V23L30M00	Water tank 23l, pump with delivery up to 30m (98ft) with water floating, IN 230Vac
WASPT3V23L30M00	Water tank 23l, pump with delivery up to 30m (98ft) with water floating, IN 120Vac

RELATED PRODUCTS

ALBERT	Encoder for video content analysis and smart system management
SM82A	Video matrix 8 inputs and 2 outputs
SM164B	Video matrix 16 inputs and 4 outputs
SM328B	Matrix 32 inputs and 8 outputs
DCJ	Keyboard for video and telemetry control
DCT	Video and telemetry touch-screen control keyboard
DCZ	Universal control keyboard for PC applications

BRACKETS AND ADAPTORS

UPTWBA	Wall bracket with internal cable channel
UPTWBTAB	Parapet bracket with internal cable channel

PACKAGE

Model Number	Weight	Dimensions (WxHxL)	Master carton
UPT1SLWA000E	38kg (84lb)	76x41x67cm (30x16x26.4in)-	
UPT1SLGA000E	38kg (84lb)	76x41x67cm (30x16x26.4in)-	

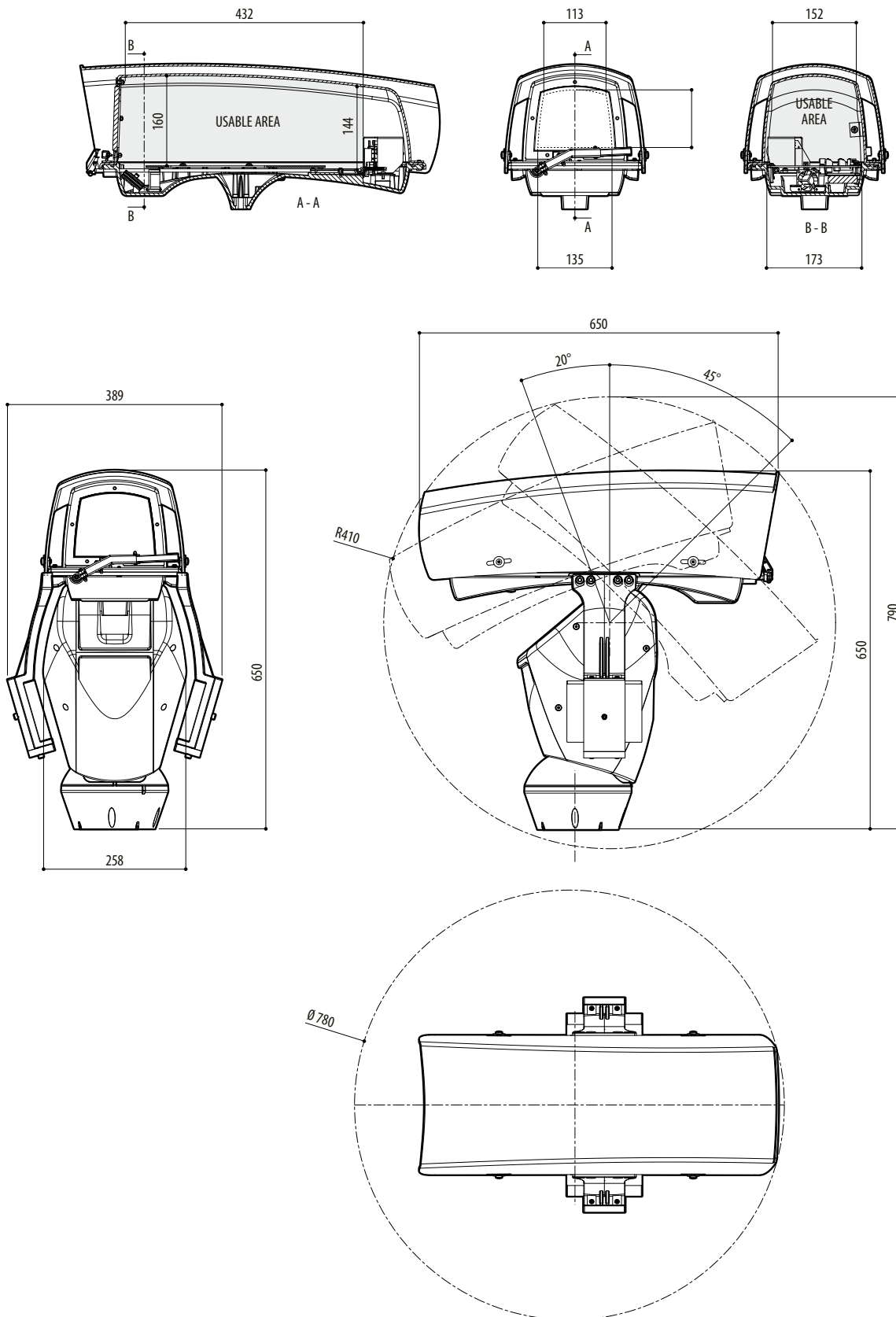
ULISSE MAXI - CONFIGURATION OPTIONS

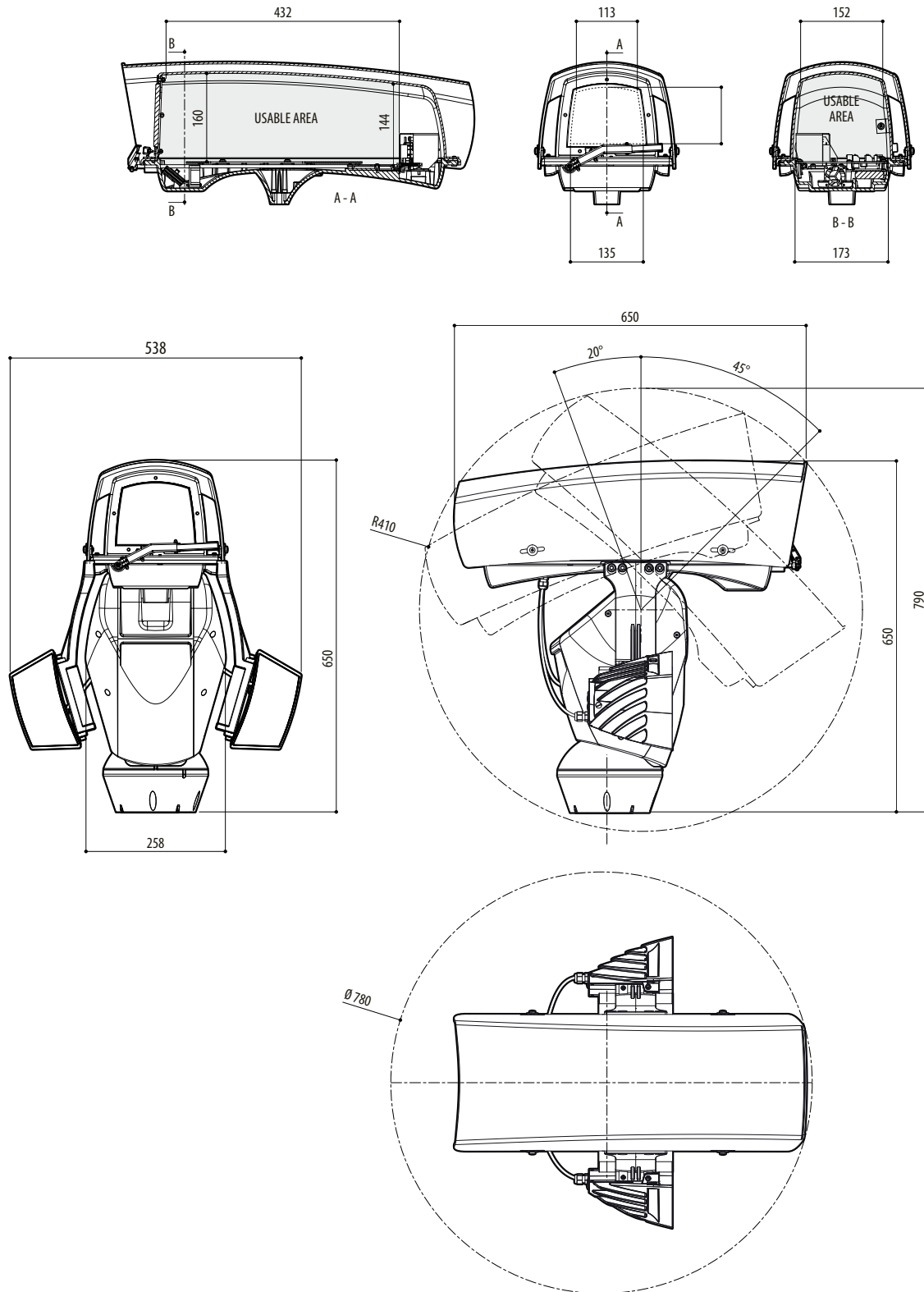
	Voltage		Options		Video output	
UPT	1 230Vac	SL	W 230Vac and 120Vac, with wiper	A	O Analog	00E
	2 24Vac		J 24Vac, with wiper and prearrangement for mounting of two UPTIRN (illuminators not included)			
	3 120Vac		G With germanium front window for thermal cameras applications			

Not all combinations are possible.

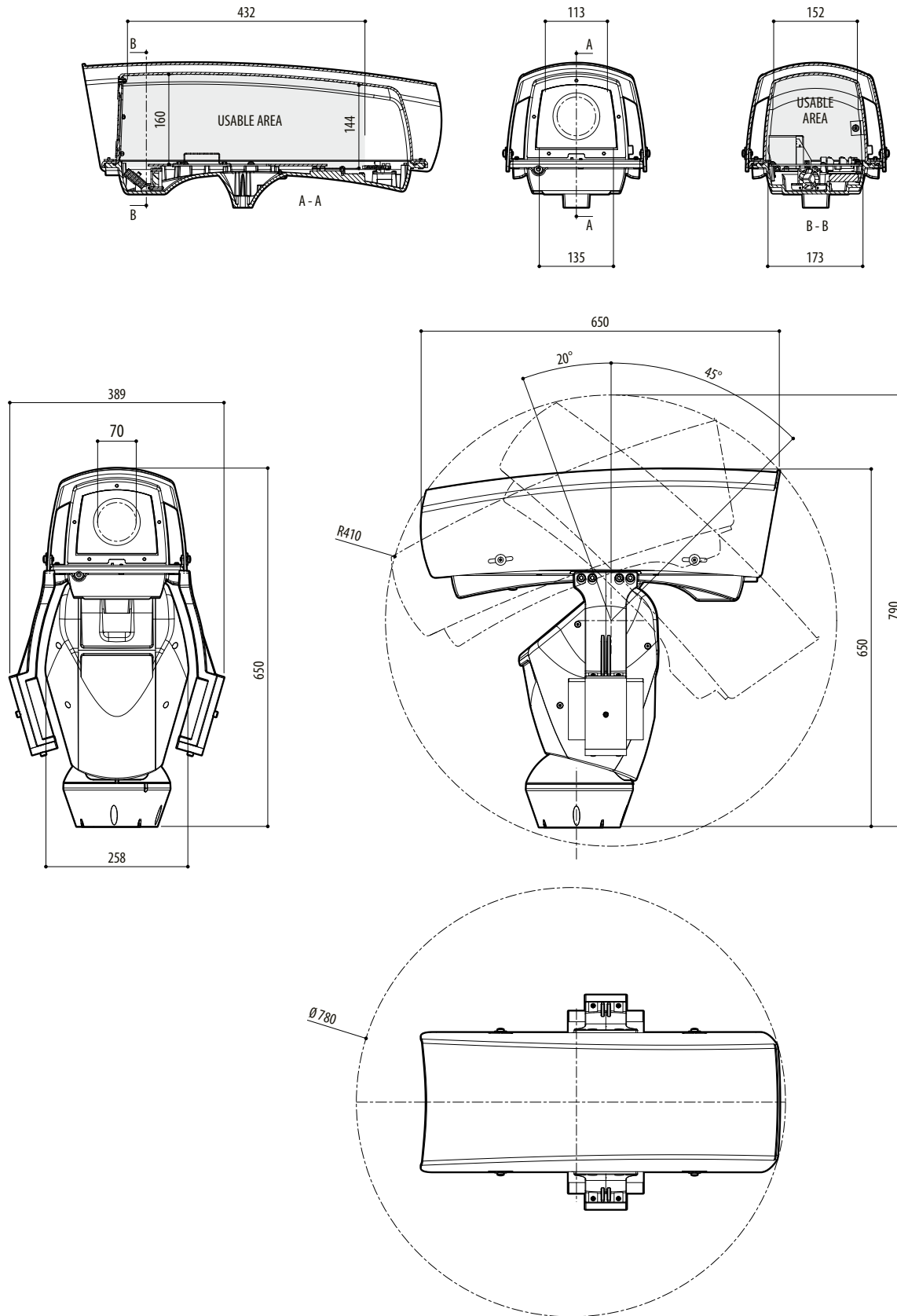
TECHNICAL DRAWINGS

Sizes in millimeters.





ULISSE MAXI, PRE-ARRANGED VERSION FOR TWO LED ILLUMINATORS INSTALLATION



ULISSE MAXI, VERSION FOR THERMAL CAMERAS