

ULISSE RADICAL THERMAL

THERMAL PTZ CAMERA WITH UP TO 24X CONTINUOUS ZOOM



MAIN FEATURES

PTZ unit with factory-assembled and pre-configured thermal camera and lens
Continuous zoom lens, 3x thermal optics, 35-105mm and digital zoom up to 8x, 24x total zoom

Sensor: Uncooled Microbolometer (VOx), 17µm pixel dimension

Resolution 336x256 or 640x512, 7.5-8.3Hz or 25-30Hz

Analogue or IP (ONVIF S) versions

Advanced Autofocus system

Advanced Thermographic Function (STR, Spot Temperature Reading)

DDE, Digital Detail Enhancement

Dynamic adjustment of contrast (ACE, Active Contrast Enhancement)

Pre-wired camera and lens through snap-on connector for easy installation and maintenance

Total control of the auxiliary functions through the Videotec PTZ ASSISTANT (IP-based version)

Horizontal continuous rotation up to 100°/sec

Position accuracy: 0.02°

Up to 250 Presets

Operating temperature: -40°C / +65°C (-40°F / +149°F)

Power supply: 230Vac, 24Vac or 120Vac

DESCRIPTION

ULISSE RADICAL THERMAL is the first Videotec ready-to-use thermal PTZ camera system that integrates exceptional factory-assembled combinations of lens and thermal camera for unsurpassed intrusion detection and visual awareness in total darkness or extreme environmental conditions.

The lens system features a continuous zoom up to 24x and an amazing AUTO FOCUS that allow quick and effective focus on targets while retaining flawless images.

ULISSE RADICAL THERMAL is provided with Analogue control or IP, certified ONVIF Profile S, and is compatible with most VMS on the market .

The Videotec's PTZ ASSISTANT plug-in software supports any VMS with the control of all special functions such as the Auto Focus.

Depending on temperature, the contrast of a scene can be adjusted dynamically by the ACE (Active Contrast Enhancement) function, while the Digital Detail Enhancement (DDE) allows more detailed and crisp images.

The STR (Spot Temperature Reading) function detects the temperature reading of a specific point of the monitored scene.

Due to its accuracy, reliability and robustness, this thermal PTZ camera is the ideal solution for the visual control of demanding outdoor areas, such as: fire detection, military installations, border patrol, harbour surveillance, perimeter surveillance, traffic, railways and highways control and industrial monitoring.



ULISSE RADICAL THERMAL



ULISSE RADICAL THERMAL



TECHNICAL DATA

GENERAL

Constructed from aluminium and tecnopolymer
Epoxypolyester powder painting, RAL9002 colour
Top mount (OTT)
Transmission through toothed belt
Slip-ring
Electronic limit switches
Zero backlash
Pre-installed camera and lens

MECHANICAL

Cable glands: 3xM16
Horizontal rotation: continuous
Vertical rotation: +90° to -40°
Horizontal speed: from 0.02°/s up to 100°/s
Tilt speed: from 0.02°/s up to 50°/s
Internal usable area (WxHxL): 90x115x325mm (3.5x4.5x13in)
Accuracy of preset positions: 0.02°
Unit weight: 17kg (37lb)

CAMERA

Thermal camera (336x256):

- Pixel dimension: 17µm
- Spectral range: from 7.5µm up to 13.5µm
- Digital Zoom: 4x

Thermal camera (640x512):

- Pixel dimension: 17µm
- Spectral range: from 7.5µm up to 13.5µm
- Digital Zoom: 8x

VIDEO

Compression: H.264/AVC, JPEG
2 independent video streams

- Image resolution: from Full D1 (720x576 for PAL, 720x480 for NTSC) to 352x240 in 18 steps

LENSES

3x optical zoom, 35-105mm, F1.6
Minimum focusing distance: 7m
Field of view (640x512 pixel):

- Wide: 17.97°H, 14.33°V
- Zoom tele: 5.93°H, 4.75°V

Field of view (336x256 pixel):

- Wide: 8.98°H, 7.15°V
- Zoom tele: 2.97°H, 2.38°V

ELECTRICAL

Supply voltage/Current consumption:

- 230Vac, 0.4A, 50/60Hz
- 24Vac, 4A, 50/60Hz
- 120Vac, 0.8A, 50/60Hz

Power consumption:

- 100W max
- 28.5W, P&T static, heating switched off

4 self-powered alarm inputs
2 dry contacts: 30Vdc max o 30Vac, @ 1A

COMMUNICATIONS

Configuration through OSD
2 half-duplex serial RS-485 interfaces or full-duplex RS-422
Firmware updating from console in remote mode (only VIDEOTEC MACRO and PELCO D protocols)
Up to 999 units, addressable by means of dip-switches

PROTOCOLS

AMERICAN DYNAMICS, ERNITEC, PANASONIC, PELCO D, VIDEOTEC MACRO

NETWORK

Ethernet connection: IEEE 802.3 100Base-Tx

NETWORK PROTOCOLS

Protocol: ONVIF, Profile S
Device configuration: TCP/IPv4, UDP/IPv4, HTTP, NTP, DHCP, WS-DISCOVERY, QoS
Streaming: RTSP, RTCP, RTP

ENVIRONMENT

Indoor/Outdoor
Operating temperature: from -40°C (-40°F) up to +65°C (149°F)*
Cold start: -40°C (-40°F)
Relative Humidity 10-95% (no condensation)
Surge immunity: up to 1kV line to line, up to 2kV line to earth (Class 4)
* peak temperature

CERTIFICATIONS

Electrical safety (CE): EN60950-1, IEC60950-1
Electromagnetic compatibility (CE): EN50130-4, EN61000-6-4, EN55022 (Class A), FCC Part 15 (Class A)
Outdoor installation (CE): EN60950-22, IEC60950-22
IP protection degree: EN60529, IP66
Salty fog resistance: EN50130-5, EN60068-2-52
UL certification : cULus Listed (TYPE 4X)
EAC certification

ACCESSORIES

UPTJBUL Junction weatherproof box for cables connexion (according UL norm)

BRACKETS AND ADAPTORS

UPTWBA Wall bracket with internal cable channel
UPTWBTAB Parapet bracket with internal cable channel

PACKAGE

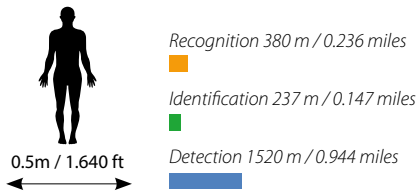
Model Number	Weight	Dimensions (WxHxL)	Master carton
UPKT1AFSAN00A	20kg (44lb)	66x33x57cm (26x13x22in)	-

ULISSE RADICAL THERMAL - CONFIGURATION OPTIONS

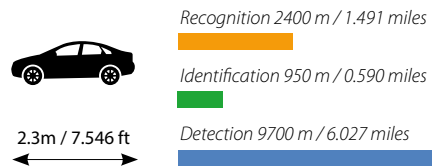
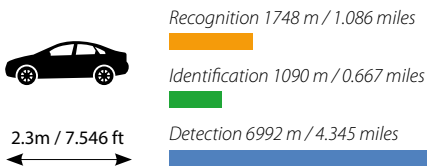
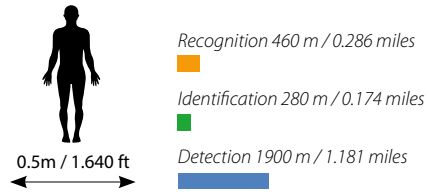
	Voltage	Thermal camera	Lens			Video Output	Frequency
UPKT 1	230Vac	A 640X512 pixel	F Thermal zoom 3x	S	A	O Analog control	00A - 7.5-8.3Hz
2	24Vac	B 336x256 pixel				N IP H.264/AVC control, Protocol ONVIF Profile S	H 25-30Hz
3	120Vac						



Ulisse Radical Thermal 640x512



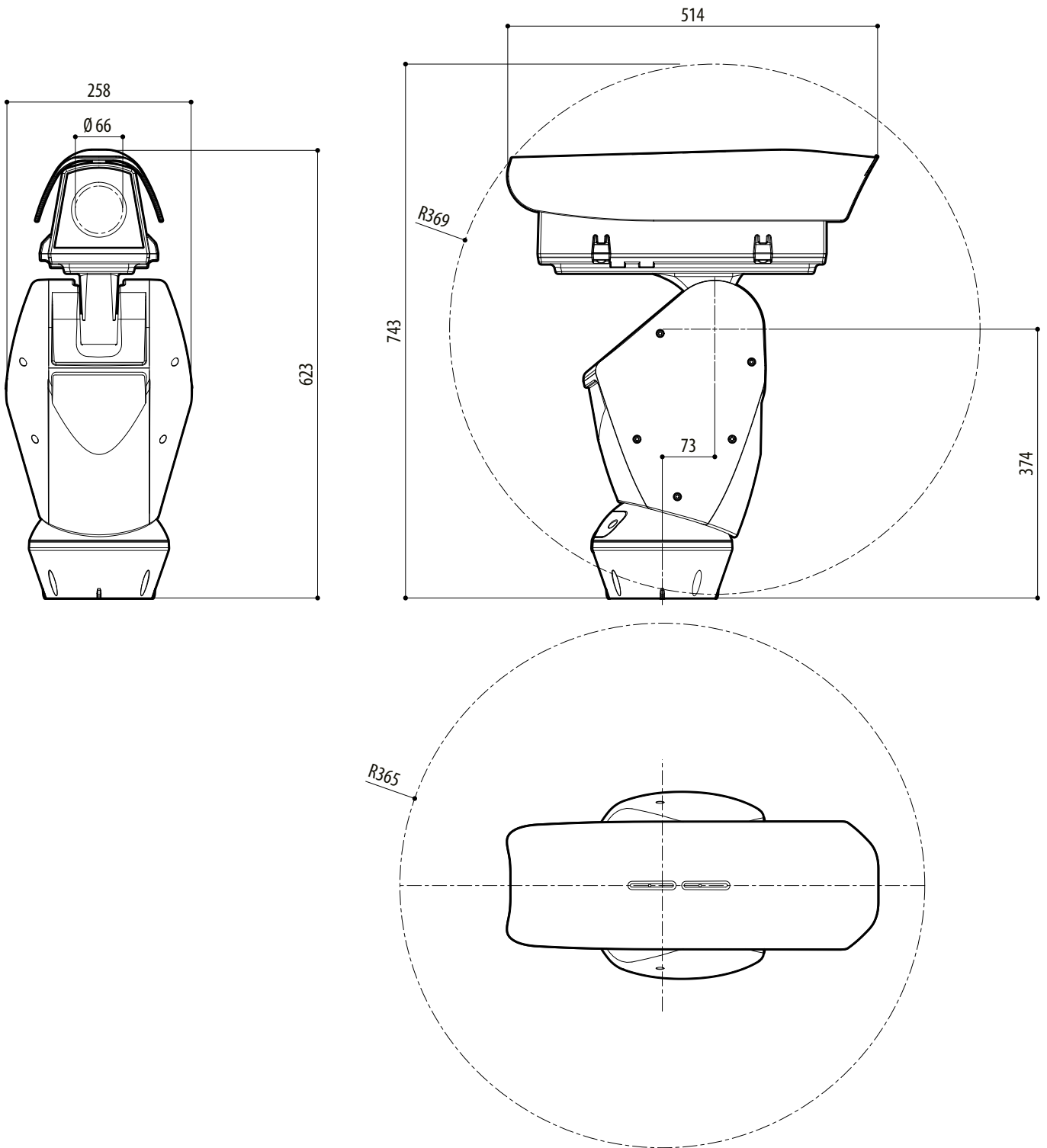
Ulisse Radical Thermal 336x256



PERFORMANCES ACCORDING TO JOHNSON'S CRITERIA

TECHNICAL DRAWINGS

Sizes in millimeters.



ULISSE RADICAL THERMAL