

# VERSO HI-POE IPM

## POLYCARBONATE HOUSING WITH IPM TECHNOLOGY FOR IP CAMERAS

### MAIN FEATURES

IPM technology (Intelligent Power Management)
PoE/Hi-PoE power supply for heating, demisting, illuminator, fan and PoE network camera
Compatible with IEEE 802.3af, IEEE 802.3at/PoE Plus
Vandal-proof protection (IK10)
IP66/IP67 (with cable glands or optional sealing rings)
Special cable gland for a fast Ethernet connection/disconnection without cutting the RJ45 connector
Version with fan with double air filter
Pre-arranged to supply a GEKO IRH illuminator
Pre-arranged for internal cable management bracket

### DESCRIPTION

The VERSO Hi-PoE IPM housing optimally exploits POE and Hi-POE technology, using the power supplied by the Ethernet cable as the sole source of power for all the devices connected, thus ensuring the maximum efficiency and flexibility of the network system as well as user-friendly installation and low costs.

The innovative IPM (Intelligent Power Management) system enables extremely quick and easy installation with the use of a single Ethernet connecting cable.

The Hi-POE IPM system automatically detects all the options, like heating, fan and illuminator and then autonomously balances the power to ensure suitable distribution of the same to the connected devices. This guarantees the optimal operation of the IP camera between -30°C (-22°F) and +60°C (140°F), with heat regulation and cold start (activation at low temperature).

The IPM system offers an opportunity to refit analogue systems with already installed housings by simply changing the slide and internal electronics. This enables the digital conversion, speeding up the installation and thereby minimizing costs and environmental impact.



VERSO HI-POE IPM



VERSO HI-POE IPM +GEKO IRH



MODULE IPM (INTELLIGENT POWER MANAGEMENT)

## TECHNICAL DATA

### MECHANICAL

Made of strong technopolymer (polycarbonate), RAL9002 colour

Sunshield in ABS

Epoxypolyester powder painting, RAL9002 colour

Stainless steel external screws

Internal usable area (WxHxL): 70x70x230mm (2.7x2.7x9.0in)

Cable glands: 1xM12, 1xM16, 1xM20

Polycarbonate window (WxH): 105x64mm (4.1x2.5in)

Unit weight: 1.6kg (3.5lb)

### ELECTRICAL

Power absorbed in input: PoE class 3 (13W) or Hi-PoE class 4 (25W) selectable with dip switch

Available power for camera (PoE IN class 3): PoE Class 2 (7W)

Available power for camera (Hi-PoE IN class 4): PoE class 3 (13W) with Ton -10°C ±2°C "cold start" function

Data line: 10/100Base-T

Illuminator GEKO IRH, low power: 6W

Heater: 8W, electronically controlled, Ton 20°C±2°C (68°F±4°F), Toff 23°C±2°C (73.4°F±4°F)

Fan with thermostat for camera cooling for versions with double air filter: Ton 35°C±2°C (95°F±4°F), Toff 32°C±2°C (89.6°F±4°F)

Demisting with forced hot air: 5W

Compatible with IEEE 802.3af, IEEE 802.3at/PoE Plus

Compatible with the Power Injector (OHEPOWINJ: VIDEOTEC optional accessory)

### ENVIRONMENT

For installation indoors and outdoors

Operating temperature: From -10°C (14°F) up to +60°C (140°F)

Operating temperature (with heater): From -30°C (-22°F) up to +60°C (140°F)

Chemical agents resistance

- High resistance: basics, alcohols, gas, hydrocarbon
- Good resistance: Organic acids, inorganic acids, oils
- Low resistance: Solvents

### CERTIFICATIONS

Electrical safety (CE): EN60950-1, IEC60950-1

Electromagnetic compatibility (CE): EN50130-4, EN61000-6-3, EN55022 Classe B, FCC Part. 15 Class B

Outdoor installation (CE): EN60950-22, IEC 60950-22

IP protection degree: EN60529

- IP66/IP67 (with cable glands)
- IP66/IP67 (with sealing rings and an internal cable channel)
- IP55 (with bracket with internal cable channel)
- IP44 (for models with double filter for ventilation)

IK protection degree: EN62262, IK10

UL certification:

- cULus Listed, TYPE 4X (except for versions with double filter for the air exchange)
- UL94, V1 (fire-self extinguish)

EAC certification

### ACCESSORIES

OHEPOWINJ	Hi-PoE Power Injector, 1 channel
OWBIP3	Sealing rings kit (1xM12 - 1xM16 - 1xM20) IP66/IP67 for WBOVA2 and WCM4A2 brackets for VERSO Hi-PoE IPM and HOV Hi-PoE IPM housings
OHEGBB	Weatherproof junction box
OSUPPIR	Support for 1 GEKO IRH illuminator under the housing (Not compatible with WBOVA2 wall bracket)

### RELATED PRODUCTS

PTH300	Horizontal/vertical Pan & Tilt
IRH10L8A	LED Illuminator, 10°, 850nm, 24Vac - 12/24Vdc
IRH30L8A	LED Illuminator, 30°, 850nm, 24Vac - 12/24Vdc
IRH60L8A	LED Illuminator, 60°, 850nm, 24Vac - 12/24Vdc

### BRACKETS AND ADAPTORS

WBJA	Wall mount bracket
WBOVA2	Wall bracket with internal cable channel
WBOV3A2	Wall bracket with internal cable channel, counterplate and support box, not compatible with OHEBVF1, OHEBVF2 and OHEBVF3
WCM3A	Ceiling bracket with ball joint
WCM5A	Ceiling bracket with ball joint
WCM4A2	Ceiling bracket with internal cable channel
WFWCA	Column bracket with joint

### SPARE PARTS

OHPVPOEIPM	Maintenance/retrofit kit for VERSO and VERSO Hi-PoE IPM housings
OHOV32SUP	Complete upper body

### PACKAGE

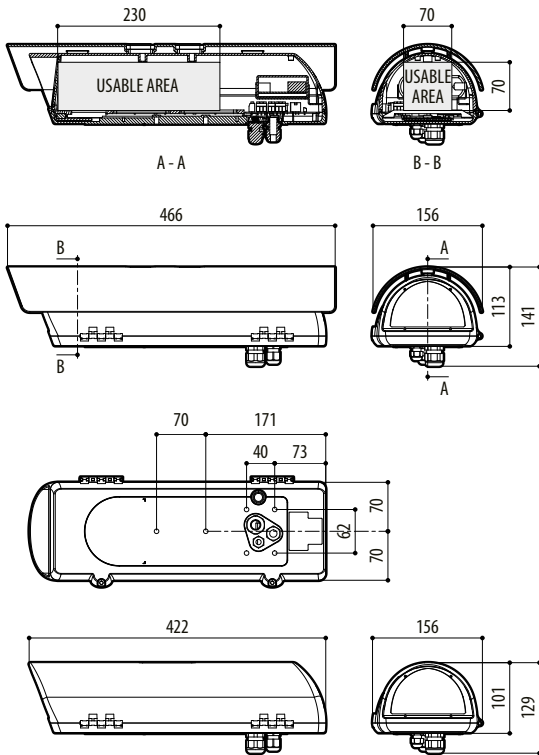
Model Number	Weight	Dimensions (WxHxL)	Master carton
HPV42K2A700	1.9kg (4.2lb)	16.5X15.5X49cm (6.5x6.1x19.3in)	10

## VERSO HI-POE IPM AVAILABLE MODELS AND FEATURES

Operating temperature	Injector	Camera	Demisting system	Illuminator	Heater	Fan with double air filter	Model Number
From -10°C (14°F) up to +60°C (140°F)	PoE class 3 (13W)	PoE max. class 2 (7W)	✓	–	–	✓	HPV42K2A716
	Hi-PoE class 4 (25W)	PoE max. class 3 (13W)	✓	✓	–	✓	HPV42K2A716
From -10°C (14°F) up to +60°C (140°F)	PoE class 3 (13W)	PoE max. class 2 (7W)	✓	–	–	–	HPV42K2A700
	Hi-PoE class 4 (25W)	PoE max. class 3 (13W)	✓	✓	–	–	HPV42K2A700
From -30°C (-22°F) up to +60°C (140°F)	Hi-PoE class 4 (25W)	PoE max. class 3 (13W)	✓	–	✓	–	HPV42K2A700

## TECHNICAL DRAWINGS

The dimensions of the drawings are in millimetres.



VERSO HI-POE IPM