

WAS - WASPT

5 OR 23 LITER TANK WITH PUMP

MAIN FEATURES

Polyethylene tank with stainless steel cage

Versions with delivery up to 5m (16ft), 11m (36ft) or 30m (98ft)

Versions with alarm for the lack of liquid in the tank

Also for third-party products

Operating temperature: up to 60°C (140°F) max

Available voltages in 230Vac, 24Vac or 120Vac

DESCRIPTION

The Videotec WAS-WASPT is a wash kit consisting of a water tank with an integrated pump for PTZ cameras and camera housings equipped with wiper. This wide range of washers and tanks is available with capacities of 5 or 23 liters and delivery heads up to 30 meters.

With the WASPT series it is possible to remotely control via RS-485 the wiper and the washer pump by using the DTWRX optional board.

In the 11m (36ft) and 30m (98ft) delivery versions the lack of liquid in the tank is signalled following the automatic stop of the pump (except for 11m version of WAS series).

Pumps with 30m (98ft) delivery are available only in 230Vac or 120Vac.

With the use of the antifreeze liquid the minimum operating temperature goes down to -25°C (13°F).

WAS - CONFIGURATION OPTIONS (NOT ALL COMBINATIONS ARE POSSIBLE)

	Voltage	Water tank capacity	Delivery head	
WAS	0V 230Vac - 24Vac - 120Vac	5L 5l (1.3gal)	5M 5m (16ft)	00
	1V 230Vac	23L 23l (6gal)	11M 11m (36ft)	
	3V 120Vac		30M 30m (98ft)	

WASPT - CONFIGURATION OPTIONS (NOT ALL COMBINATIONS ARE POSSIBLE)

	Voltage	Water tank capacity	Delivery head	
WASPT	0V 230Vac/ 24Vac/ 120Vac	5L 5l (1.3gal)	5M 5m (16ft)	00
	1V 230Vac	23L 23l (6gal)	11M 11m (36ft)	
	3V 120Vac		30M 30m (98ft)	



WATER TANK 5L (1.3GAL), 5M (16FT) DELIVERY



WATER TANK 23L (6GAL), 5M (16FT) DELIVERY



WATER TANK 23L (6GAL), 11M (36FT) DELIVERY



WATER TANK 23L (6GAL), 30M (98FT) DELIVERY



CARD FOR REMOTE CONTROL OF WIPER/WASHER PUMP WITH WASPT FOR STAND-ALONE CAMERA HOUSINGS

TECHNICAL DATA**Washer pump, tank of 5l, 5m (16ft) delivery**

Polyethylene tank, stainless steel cage

Dimensions (WxHxL): 217x272x257mm (8.5x10.7x10.1in)

Unit weight: 3.5kg (7.7lb) (WAS), 3.8kg (8.4lb) (WASPT)

Water tank capacity: 5l (1.3gal)

Delivery head: 5m (16ft) max

Tube length: 5m (16ft)

Supply voltage/Current consumption:

- 230Vac, 0.3A, 50/60Hz
- 120Vac, 0.6A, 50/60Hz
- 24Vac, 1.8A, 50/60Hz

Operating temperature

- Maximum temperature: 60°C
- Minimum temperature with antifreeze liquid in solution: -10° (14°F)
- Minimum temperature with antifreeze liquid in solution (reduced performance and delivery height): -25°C

Electrical safety (CE): EN60950-1

Electromagnetic compatibility:

- CE: EN50130-4, EN61000-6-3, EN55022 (Class B)
- FCC Part 15 (Class B)

Outdoor installation (CE): EN60950-22

IP protection degree: EN60529, IP56

EAC certification

Washer pump, tank of 23l, 5m (16ft) delivery

Polyethylene tank, stainless steel cage

Dimensions (WxHxL): 301x410x348mm (11.8x16.1x13.7in)

Unit weight: 5.4kg (11.9lb) (WAS), 5.5kg (12.1lb) (WASPT)

Water tank capacity: 23l (6gal)

Delivery head: 5m (16ft) max

Tube length: 5m (16ft)

Supply voltage/Current consumption:

- 230Vac, 0.3A, 50/60Hz
- 120Vac, 0.6A, 50/60Hz
- 24Vac, 1.8A, 50/60Hz

Operating temperature

- Maximum temperature: 60°C
- Minimum temperature with antifreeze liquid in solution: -10° (14°F)
- Minimum temperature with antifreeze liquid in solution (reduced performance and delivery height): -25°C

Electrical safety (CE): EN60950-1

Electromagnetic compatibility (CE): EN50130-4, EN61000-6-3, EN55022 (Class B), FCC Part 15 (Class B)

Outdoor installation (CE): EN60950-22

IP protection degree: EN60529, IP56

EAC certification

Washer pump, tank of 23l, 11m (36ft) delivery

Polyethylene tank, stainless steel cage

Dimensions (WxHxL): 301x410x348mm (11.8x16.1x13.7in)

Unit weight: 5.9kg (13lb) (WAS), 6.7kg (14.8lb) (WASPT)

Water tank capacity: 23l (6gal)

Delivery head: 11m (36ft) max

Tube length: 11m (36ft)

Switch for liquid level

Supply voltage/Current consumption:

- 230Vac, 0.5A, 50/60Hz
- 120Vac, 1A, 50/60Hz
- 24Vac, 3.8A, 50/60Hz

Operating temperature

- Maximum temperature: 60°C
- Minimum temperature with antifreeze liquid in solution : -10° (14°F)
- Minimum temperature with antifreeze liquid in solution (reduced performance and delivery height): -25°C

Electrical safety (CE): EN60950-1

Electromagnetic compatibility (CE): EN50130-4, EN61000-6-3, EN55022, (Class B), FCC Part 15 (Class B)

Outdoor installation (CE): EN60950-22

IP protection degree: EN60529, IP56

EAC certification

Washer pump, tank of 23l, 30m (98ft) delivery

Polyethylene tank, stainless steel cage

Dimensions (WxHxL): 301x620x348mm (11.9x24.4x13.7in)

Unit weight: 13.9kg (30.6lb) (WAS), 15.1kg (33.3lb) (WASPT)

Water tank capacity: 23l (6gal)

Delivery head: 30m (98ft) max

Tube length: 30m (98ft)

Switch for liquid level

Supply voltage/Current consumption:

- 230Vac, 2A, 50/60Hz
- 120Vac, 4.5A, 60Hz

Operating temperature

- Maximum temperature: 60°C
- Minimum temperature with antifreeze liquid in solution: -10° (14°F)

Electrical safety (CE): EN60950-1

Electromagnetic compatibility (CE): EN50130-4, EN61000-6-3, EN55022, (Class B), FCC Part 15 (Class B)

IP protection degree: EN60529, IPX4

EAC certification

2 functions: WIPER, WASHER

31 selectable addresses through Dip Switch

Serial input RS-485

2 status LED: Stand-by and receiver control

Dimensions: 43x56x13mm (1.7x2.2x0.51in)

Unit weight: 0.02kg

Power consumption: 0.5W

PELCO D (2400, 9600 baud)

VIDEOTECH MACRO (9600, 38400 baud)

Half duplex RS-485 serial interface for keypad telemetry data reception (maximum distance 1200m/3940ft) and from SM matrix range (maximum distance 1200m/73940ft)

Operating temperature: from -10°C up to +60°C

At -10°C the electronic protection device DTWRX intervenes

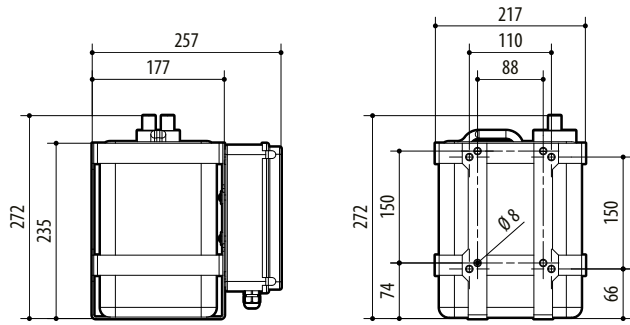
Electrical safety (CE): EN60950-1

Electromagnetic compatibility (CE): EN50130-4, EN61000-6-3, FCC Part 15 (Class B)

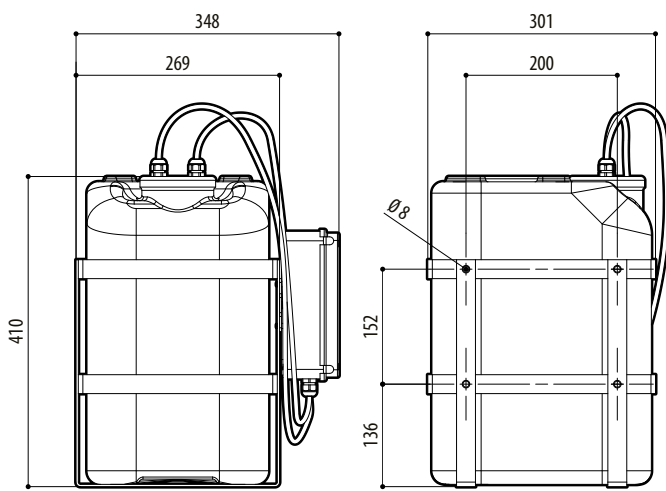
EAC certification

PART NUMBER	
WASOV5L5M00	Water tank 5l (1 gal), pump with delivery up to 5m (16ft), IN 230Vac-24Vac-120Vac
WASOV23L5M00	Water tank 23l (6 gal), pump with delivery up to 5m (16ft), IN 230Vac-24Vac-120Vac
WASOV23L11M00	Water tank 23l (6 gal), pump with delivery up to 11m (36ft), IN 230Vac-24Vac-120Vac
WAS1V23L30M00	Water tank 23l (6 gal), pump with delivery up to 30m (98ft) with water floating, IN 230Vac
WAS3V23L30M00	Water tank 23l (6 gal), pump with delivery up to 30m (98ft) with water floating, IN 120Vac
WASPTOV5L5M00	Water tank 5l (1 gal), pump with delivery up to 5m (16ft), IN 230Vac-24Vac-120Vac
WASPTOV23L5M00	Water tank 23l (6 gal), pump with delivery up to 5m (16ft), IN 230Vac-24Vac-120Vac
WASPTOV23L11M00	Water tank 23l (6 gal), pump with delivery up to 11m (36ft) with water floating, IN 230Vac-24Vac-120Vac
WASPT1V23L30M00	Water tank 23l (6 gal), pump with delivery up to 30m (98ft) with water floating, IN 230Vac
WASPT3V23L30M00	Water tank 23l (6 gal), pump with delivery up to 30m (98ft) with water floating, IN 120Vac
DTWRX	Data receiver for remote control of the wiper and WASPT range pumps in stand-alone housings

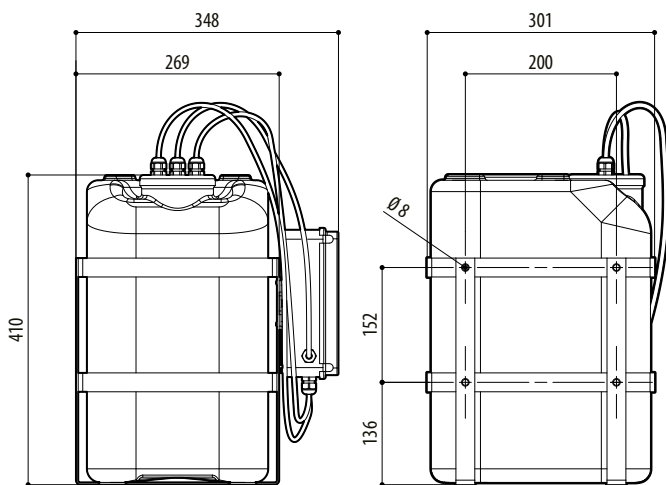
PACKAGE			
Model Number	Weight	Dimensions (WxHxL)	Master carton
WASOV5L5M00	4kg (8.8lb)	31x31x22cm	4
WASOV23L5M00	6.2kg (13.7lb)	32x37.5x51cm	-
WASOV23L11M00	5.9kg (13lb)	32x37.5x51cm	-
WAS1V23L30M00 (15x12.6x31.1in)	13.1kg (28.9lb)	-	38x32x79cm
WASPTOV5L5M00	4.3kg	31x31x22cm	-
WASPTOV23L5M00	6.4kg	32x37.5x51cm	-
WASPTOV23L11M00	7.5kg (16.5lb)	32x37.5x51cm	-
WASPT1V23L30M00	15.4kg	38x22x79cm	-
DTWRX	-	8.5x5.5x11.5cm (3.4x2.2x4.5in)	-



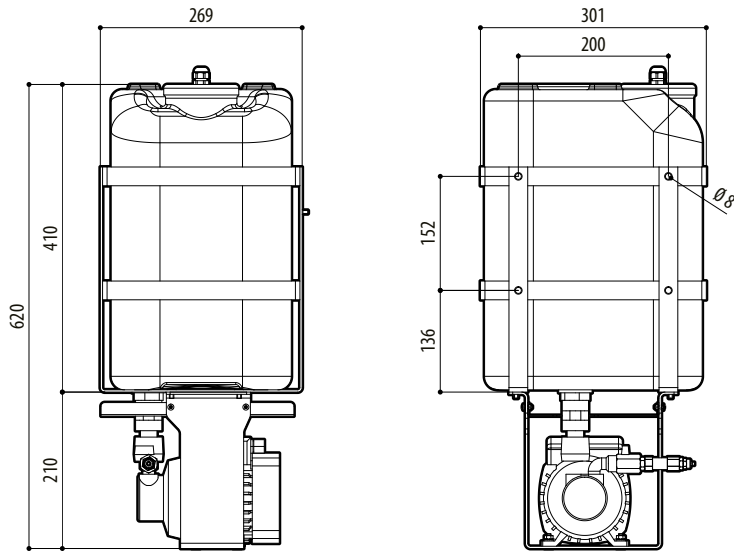
WATER TANK 5L (1.3GAL), 5M (16FT) DELIVERY (WAS-WASPT)



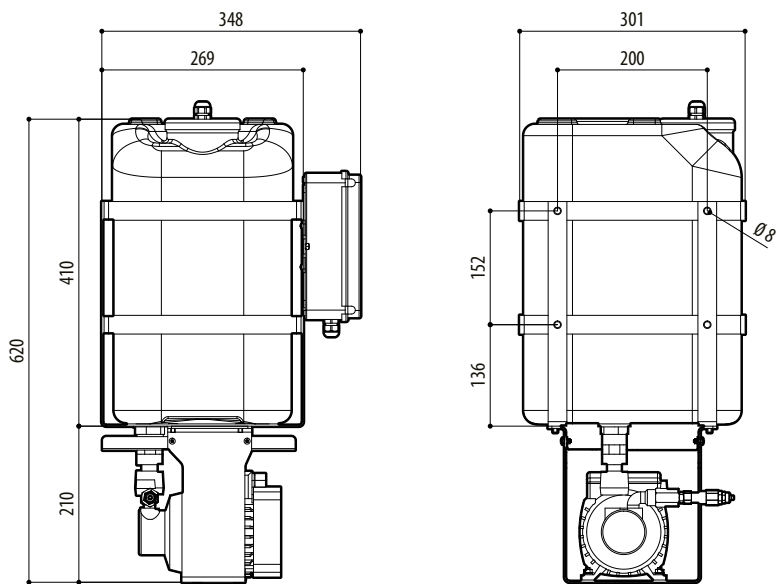
WATER TANK 23L (6GAL), 5M (16FT) DELIVERY (WAS-WASPT) O 11M (36FT) (WAS)



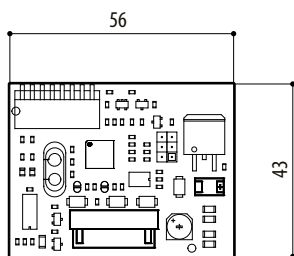
WATER TANK 23L (6GAL), 11M (36FT) DELIVERY (WASPT)



WATER TANK 23L (6GAL), 30M (98FT) DELIVERY (WAS)



WATER TANK 23L (6GAL), 30M (98FT) DELIVERY (WASPT)



DTWRX

