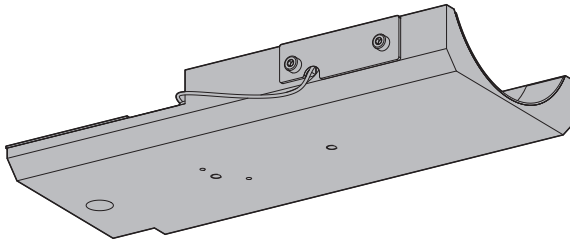




UPTBKITVB770

**Support for SONY SNC-VB770 camera with
SELP28135G lens for installation on ULISSE2**



UPTBKITVB770

Support for SONY SNC-VB770 camera with SELP28135G lens for installation on ULISSE2

1 About this manual

Read all the documentation supplied carefully before installing and using this unit. Keep the manual in a convenient place for future reference.

1.1 Typographical conventions

**CAUTION!**

Medium level hazard.

This operation is very important for the system to function properly. Please read the procedure described very carefully and carry it out as instructed.

**INFO**

Description of system specifications. We recommend reading this part carefully in order to understand the subsequent stages.

2 Notes on copyright and information on trademarks

The mentioned names of products or companies are trademarks or registered trademarks.

3 Safety rules



CAUTION! Device installation and maintaining must be performed by specialist technical staff only.

- The manufacturer declines all responsibility for any damage caused by an improper use of the appliances mentioned in this manual. Furthermore, the manufacturer reserves the right to modify its contents without any prior notice. The documentation contained in this manual has been collected and verified with great care. The manufacturer, however, cannot take any liability for its use. The same thing can be said for any person or company involved in the creation and production of this manual.
- Never, under any circumstances, make any changes or connections that are not shown in this handbook. Improper use of the appliance can cause serious hazards, risking the safety of personnel and of the installation.
- Use only original spare parts. Non-original spare parts could cause fire, electrical discharge or other hazards.
- Before proceeding with installation, check the supplied material to make sure it corresponds to the order specification by examining the identification labels.

4 Identification

4.1 Product description and type designation

Support for SONY SNC-VB770 camera with SELP28135G lens for installation on ULISSE2.

4.2 Product marking

See the label attached to the product.

5 Preparing the product for use



Any change that is not expressly approved by the manufacturer will invalidate the guarantee.

5.1 Unpacking

When the product is delivered, make sure that the package is intact and that there are no signs that it has been dropped or scratched.

If there are obvious signs of damage, contact the supplier immediately.

When returning a faulty product we recommend using the original packaging for shipping.

Keep the packaging in case you need to send the product for repairs.

5.2 Contents

Check the contents to make sure they correspond with the list of materials as below:

- Aluminum support for the camera and lens (2 pieces)
- Power cable
- Network cable
- Bolts and screws
- Instruction manual

5.3 Safely disposing of packaging material

The packaging material can all be recycled. The installer technician will be responsible for separating the material for disposal, and in any case for compliance with the legislation in force where the device is to be used.

6 Installation

6.1 How to install the camera

Position the camera with pre-installed lens on the aluminum support (01). Align the lens with the edge of the support. Fasten the camera to the support with the 1/4" screw (02).

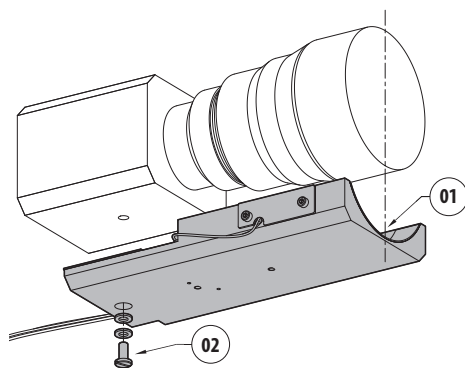


Fig. 1

Fix the lens to the aluminum support using the fixing bracket (03) and the screws and washers (04) supplied.

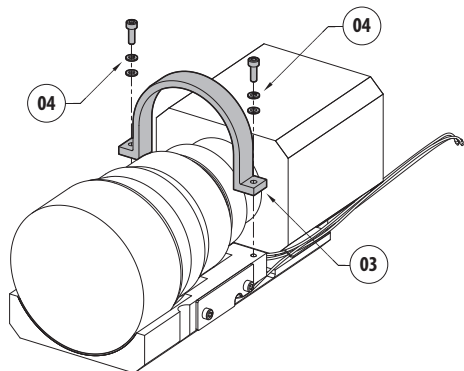


Fig. 2

Loosen the screws to remove the main slider from the housing body.

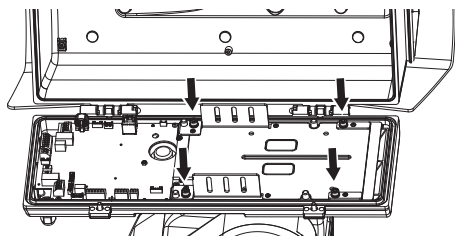


Fig. 3

Position the camera unit (camera/lens/aluminum support) on the main slider. Align the hole of the camera/lens support with the beginning of the slot of the main slide.

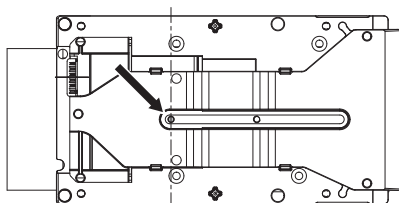


Fig. 4

Fix the camera unit on the main slide using the screws and washers (05) supplied.

! Pay attention to the fixing. Tightening torque: 2.1Nm.

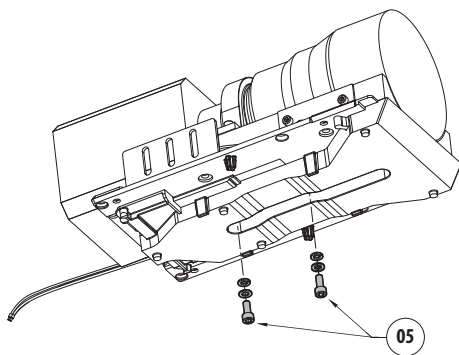


Fig. 5

Place the camera in the housing and fasten in place using the screws and washers.

! Pay attention to the fixing. Tightening torque: 2.1Nm.

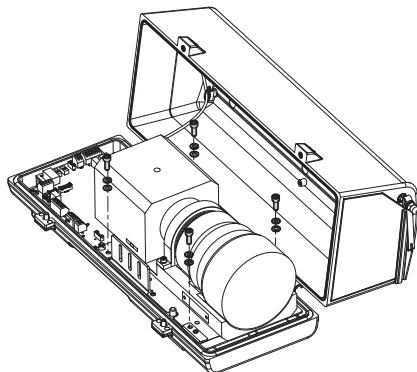


Fig. 6

7 Connections

7.1 Board description

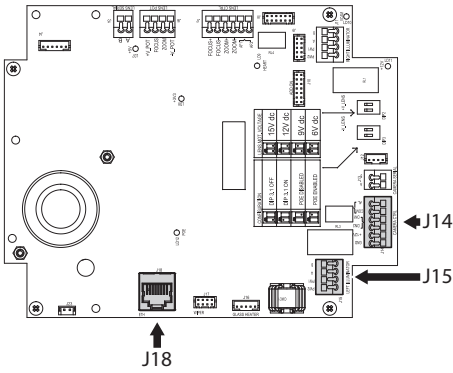


Fig. 7

BOARD DESCRIPTION	
Connector	Function
J14	Camera power supply
J15	Heater power supply
J18	Ethernet

Tab. 1

7.2 Heater connection

There is a connector on the housing board that allow you to power the heater (J15, Fig. 7, page 4).

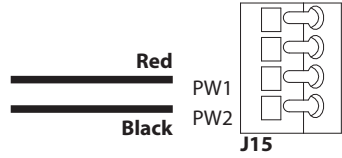


Fig. 8

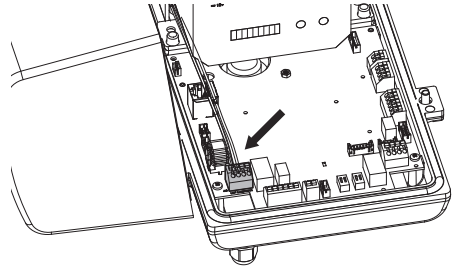


Fig. 9

7.3 Connection of the camera and motorised lens



Before making the connections make sure that the voltages supplied by the board fall within the limits allowed for the apparatus.

There are two connectors on the housing card that allow you to power and communicate with the camera (J14, J18, Fig. 7, page 4).

Connect the camera with the 2 cables supplied.

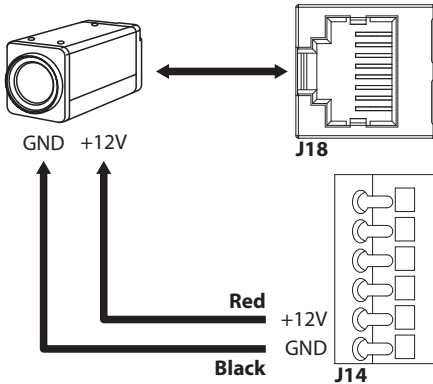


Fig. 10

Gather the cables with a cable tie.

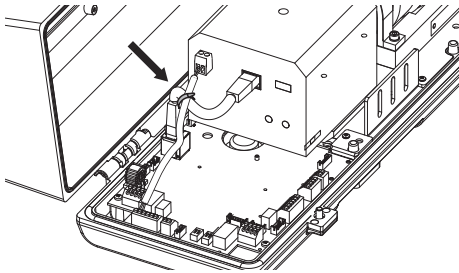


Fig. 11

8 Information on disposal and recycling

The European Directive 2012/19/EU on Waste Electrical and Electronic Equipment (WEEE) mandates that these devices should not be disposed of in the normal flow of municipal solid waste, but they should be collected separately in order to optimize the recovery stream and recycling of the materials that they contain and to reduce the impact on human health and the environment due to the presence of potentially hazardous substances.



The symbol of the crossed out bin is marked on all products to remember this.

The waste may be delivered to appropriate collection centers, or may be delivered free of charge to the distributor where you purchased the equipment at the time of purchase of a new equivalent or without obligation to a new purchase for equipment with size smaller than 25cm (9.8in).

For more information on proper disposal of these devices, you can contact the responsible public service.

Headquarters Italy Videotec S.p.A.
Via Friuli, 6 - I-36015 Schio (VI) - Italy
Tel. +39 0445 697411 - Fax +39 0445 697414
Email: info@videotec.com

Asia Pacific Videotec (HK) Ltd
Flat 8, 19/F. On Dak Industrial Building, No. 2-6 Wah Sing Street
Kwai Chung, New Territories - Hong Kong
Tel. +852 2333 0601 - Fax +852 2311 0026
Email: info.hk@videotec.com

France Videotec France SARL
Immeuble Le Montreal, 19bis Avenue du Québec, ZA de Courtaboeuf
91140 Villebon sur Yvette - France
Tel. +33 1 60491816 - Fax +33 1 69284736
Email: info.fr@videotec.com

Americas Videotec Security, Inc.
Gateway Industrial Park, 35 Gateway Drive, Suite 100
Plattsburgh, NY 12901 - U.S.A.
Tel. +1 518 825 0020 - Fax +1 518 825 0022
Email: info.usa@videotec.com



www.videotec.com

MNVKUPTBVB770_1941