

# COMB, BRACKETS



## COMBMP

PLATE FOR ASSEMBLY OF THE COMB WITH UEAP POLE ADAPTOR OR WITH UEAC CORNER ADAPTOR

In stainless steel

Dimensions: 358x250x3mm (14x9.8x0.1in)



COMBMP

## UEAC

CORNER MOUNT ADAPTOR

AISI 316L stainless steel construction

Dimensions: 120x220mm (4.7x8.7in)



UEAC

## UEAP

POLE MOUNT ADAPTOR

AISI 316L stainless steel construction

For pole diameters: from 60mm up to 200mm

Dimensions: 121x85mm (4.7x3.3in)



UEAP

## TECHNICAL DATA

### COMBMP

#### MECHANICAL

In stainless steel

Suitable for: UEAP, UEAC

Dimensions: 358x250x3mm (14x9.8x0.1in)

Unit weight: 2.1kg (4.6lb)

#### PART NUMBER

COMBMP Plate for assembly of the COMB with UEAP pole adaptor or with UEAC corner adaptor

#### PACKAGE

Model Number	Weight	Dimensions (WxHxL)	Master carton
COMBMP	2.7kg (5.9lb)	29.5x40.5x8cm (11.6x16.9x3.1in)	-

### UEAC

#### MECHANICAL

Bracket for UEBW (ULISSE EVO) and for NVX, NTX cameras

AISI 316L stainless steel construction

Dimensions: 120x220x128mm (4.7x8.7x5in)

Unit weight: 1.1kg (2.2lb)

#### PART NUMBER

UEAC Corner adaptor in stainless steel AISI 316L

#### PACKAGE

Model Number	Weight	Dimensions (WxHxL)	Master carton
UEAC	1.45kg (3.2lb)	14.5x26.5x14.5cm (5.7x10.4x5.7in)	-

### UEAP

#### MECHANICAL

Bracket for UEBW (ULISSE EVO) and for NVX, NTX cameras

AISI 316L stainless steel construction

For pole diameters: from 60mm up to 200mm

Dimensions: 121x85mm (4.7x3.3in)

Unit weight: 0.35kg (0.77lb)

#### PART NUMBER

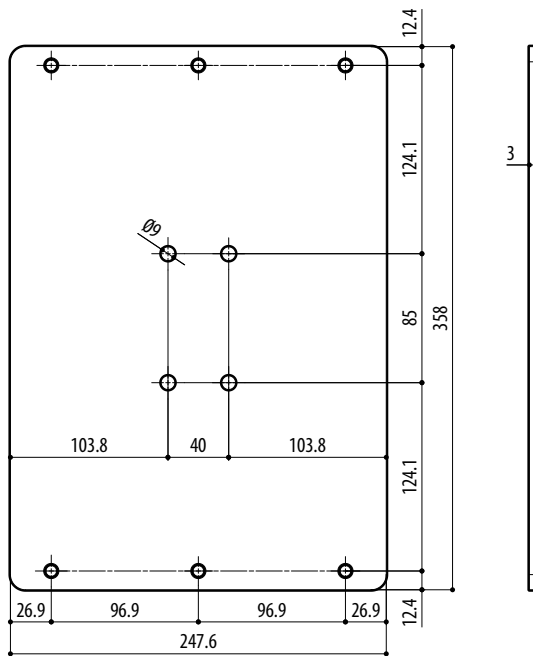
UEAP Pole adaptor in stainless steel AISI 316L

#### PACKAGE

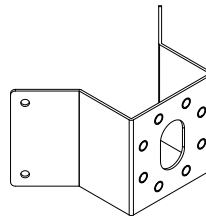
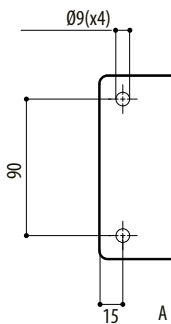
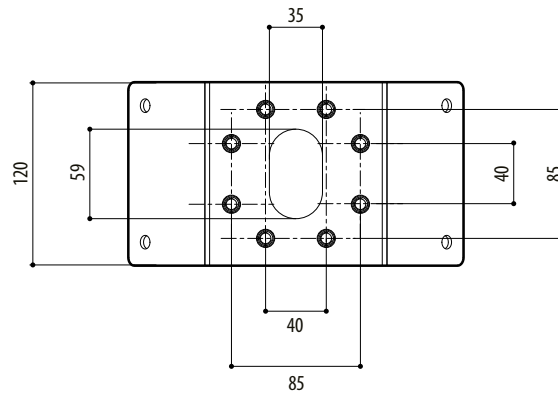
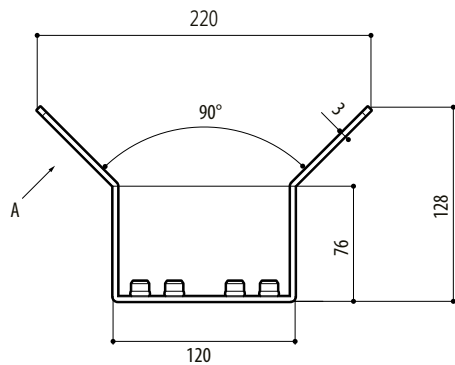
Model Number	Weight	Dimensions (WxHxL)	Master carton
UEAP	0.6kg (1.3lb)	9.5x13x19.5cm (3.7x5x7.7in)	-

**TECHNICAL DRAWINGS**

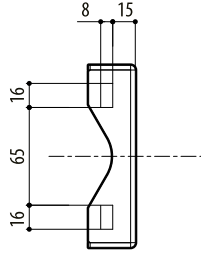
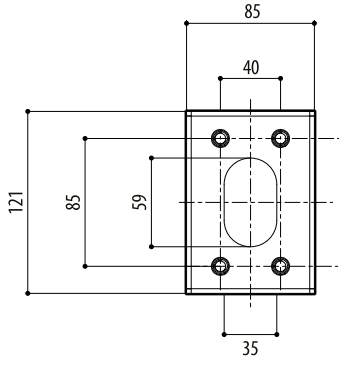
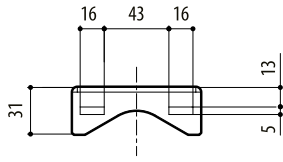
The indicated measurements are expressed in millimetres.



COMBMP



UEAC



UEAP