

# HEB

## ALUMINIUM WEATHERPROOF CAMERA HOUSING



IP66

IP67



HEB + WBOVA2

### DESCRIPTION

Robust and large aluminium housing designed to fit combinations of 1/2", 1/3" and 1/4" cameras, with different types of optics  
The frontal opening system allows an easy access to the camera and all internal connections.  
A wide range of accessories for mounting the equipment is available thereby satisfying all installation needs.

### MAIN FEATURES

IP66/IP67 (with cable glands or optional sealing rings)  
Slide-extractable body with hinged system  
Pre-arranged for internal cable management bracket  
Available accessories: heater, camera power supply, blower and air filter

## TECHNICAL DATA

### GENERAL

Aluminium back and front cover plates  
Extruded aluminium body, external slide and sunshield  
Epoxy polyester powder painting, RAL9002 colour  
Stainless steel external screws

### MECHANICAL

Cable glands: 3xM16  
Glass window extra clear  
• Dimensions (WxH): 90x81mm (3.5x3.2in)  
Internal usable area (WxH): 90x85mm (3.5x3.3in)  
Internal usable length (without accessories): 320mm (12.6in)  
Internal usable length (with accessories): 250mm (9.8in)  
Unit weight: 3.2kg (7.1lb)

### ELECTRICAL

Heater (Ton 15°C±3°C (59°F±5°F), Toff 22°C±3°C (72°F±5°F))  
• Power supply/Consumption: IN 12Vdc/24Vac, 20W max  
• Power supply/Consumption: IN 120/230Vac, 40W max  
Blower with thermostat and air filter, Ton 35°C±3°C (95°F±5°F) Toff 20°C±3°C (71°F±5°F) and back cover  
• IN 12Vdc, consumption 4W max  
• IN 24Vac, consumption 4W max  
• IN 230Vac, consumption 4W max, complete with voltage transformer  
Camera power supply  
• IN 100-240Vac, 50/60Hz - OUT 12Vdc, 1.25A  
• IN 230Vac, 50Hz - OUT 24Vac, 50Hz, 400mA

### ENVIRONMENT

For indoors and outdoors installation  
Operating temperature with heater: from -20°C (-4°F) up to +60°C (140°F)  
Salty fog resistance, to 1000 hours (ISO9227)  
Relative humidity: from 5% up to 95%

### CERTIFICATIONS

CE EN61000-6-3, EN60065, EN50130-4  
IP66/IP67 EN60529 with cable glands  
IP66/IP67 EN60529 with special gaskets and bracket with internal cable channel  
IP55 EN60529 with bracket with internal cable channel

### ACCESSORIES

OHEH01B	Heater 12Vdc/24Vac for HEB, HEK housings
OHEH02B	Heater 120/230Vac for HEB, HEK housings
OHEBVF1	Blower with thermostat and air filter IN 12Vdc, for HEB housing, not compatible with WBOVA2 and WBOV3A2 brackets
OHEBVF2	Blower with thermostat and air filter IN 24Vac, for HEB housing, not compatible with WBOVA2 and WBOV3A2 brackets
OHEBVF3	Blower with thermostat and air filter IN 230Vac, for HEB housing, not compatible with WBOVA2 and WBOV3A2 brackets
OHEPS01B	Wide range camera power supply IN 100-240Vac - OUT 12Vdc, 1.25A, for HEB housing
OHEPS02B	Camera power supply IN 230Vac - OUT 24Vac, 10VA, for HEB housing
OWBIP2	Sealing rings kit (3xM16) IP66 for WBOVA2 and WCM4A2 brackets for PUNTO, HOV, HTV, VERSO, VERSO POLAR, VERSO COMPACT, HEB, HEK housings
OSUPPIR	Support for 1 GEKO IRH illuminator under the housing (the combination between OSUPPIR and WBOVA2 wall mount is not compatible with the PUNTO housing)
OHEGBB	Weatherproof junction box

### RELATED PRODUCTS

PTH300	Horizontal/vertical Pan & Tilt
--------	--------------------------------

### BRACKETS AND ADAPTORS

WBJA	Wall mount bracket
WBMA	Wall bracket with ball joint
WBOVA2	Wall bracket with internal cable channel
WBOV3A2	Wall bracket with internal cable channel, counterplate and support box, not compatible with OHEBVF1, OHEBVF2 and OHEBVF3
WCM3A	Ceiling bracket with ball joint
WCM5A	Ceiling bracket with ball joint
WCM4A2	Ceiling bracket with internal cable channel
WCMPA	Linear extension for WCM4A2 and WCM5A
WFWCA	Column bracket with joint
DBHWGC	Pole adapter Ø 210mm, max 225mm (8.2in, max 8.9in). To be combined with the reinforcing support plate WCPA.
WCWA	Corner mount adaptor
WSFPA	Pole mount adaptor
WCPA	Reinforcing support plate for poor consistency walls
NXWTU	Wall adaptor module in stainless steel AISI 316L

### SPARE PARTS

OHEBS32A000	Sunshield HEB32
DOTHE01	Spacers for camera and lens
OHEBMAN	Cable glands, gaskets and screws
OHBCFA04	Front cover with glass, screws and gaskets
OHBFPO4B	Back cover with cable glands, gaskets and screws

### PACKAGE

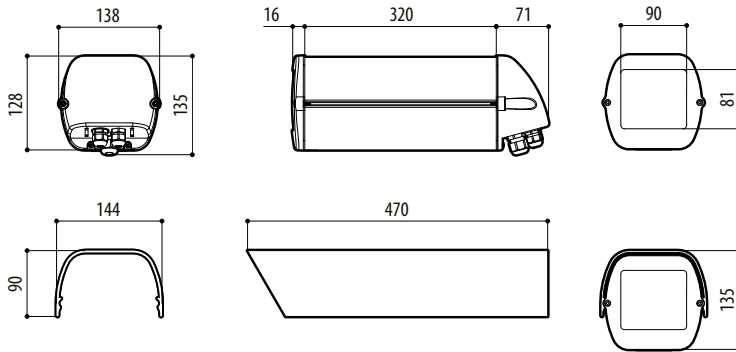
Model Number	Weight	Dimensions (WxHxL)	Master carton
HEB32K1A000B	3.5kg (7.7lb)	16.5x15.5x49cm (6.5x6.1x19.3in)	10

**AVAILABLE MODELS**

Model Number	Sunshield	Heater 120Vac/230Vac	Heater 12Vdc/24Vac	Max consumption
HEB32K1A000B	√	√	–	40W
HEB32K2A000B	√	–	√	20W
HEB32K0A000B	√	–	–	–

**TECHNICAL DRAWINGS**

*The indicated measurements are expressed in millimetres.*



HEB