

HEK

ALUMINIUM AND THERMOPLASTIC HOUSING

MAIN FEATURES

IP66/IP67 (with cable glands or optional sealing rings)

Pre-arranged for internal cable management bracket

Slide extractable body with hinged system

Versions with fan-assisted heater

Available accessories: heater and camera power supply

DESCRIPTION

Robust housing with tamper-proof features, designed for containing cameras with fixed lenses and compact zooms.

The frontal opening system allows an easy access to the camera and all internal connections.

A wide range of accessories for mounting the equipment is available thereby satisfying all installation needs.



HEK



HEK



HEK + WBMA



HEK + WBOVA2

AVAILABLE MODELS

| Model Number | Sunshield | Heater 120/230Vac | Heater 12Vdc/24Vac | Heater 24Vac fan assisted | Max consumption |
|--------------|-----------|-------------------|--------------------|---------------------------|-----------------|
| HEK26D0Y000B | – | – | – | – | – |
| HEK26K0Y000B | ✓ | – | – | – | – |
| HEK26K1Y000B | ✓ | ✓ | – | – | 40W |
| HEK26K2Y000B | ✓ | – | ✓ | – | 20W |
| HEK30D0Y000B | – | – | – | – | – |
| HEK30K0Y000B | ✓ | – | – | – | – |
| HEK30K1Y000B | ✓ | ✓ | – | – | 40W |
| HEK30K2Y000B | ✓ | – | ✓ | – | 20W |
| HEK30K2Y015B | ✓ | – | – | ✓ | 24W |

TECHNICAL DATA**GENERAL**

Resistant technopolymer front and back cover, RAL7030
 Extruded aluminium body and external slide
 Epoxypolyester powder painting, RAL9002 colour
 Stainless steel external screws
 Supplied with instruction manual, desiccant bag, accessories for camera and lens mounting

MECHANICAL

Cable glands: 3xM16
 PMMA window (WxH): Ø 72mm (2.8in)
 Internal usable area (WxH): 82x62mm (3.2x2.4in)
 Internal usable length (without accessories):
 HEK26 260mm (10.2in)
 HEK30 300mm (11.8in)
 Internal usable length (with heater and/or power supply):
 • HEK26 190mm (7.5in)
 • HEK30 235mm (9.3in)
 Internal usable length (with heater and/or blower):
 • HEK26 190mm (7.5in)
 • HEK30 235mm (9.3in)
 Unit weight: 2kg-4.4lb (HEK26), 2.2kg-4.8lb (HEK30)

ELECTRICAL

Heater (Ton 15°C±3°C (59°F±5°F), Toff 22°C±3°C (77°F±5°F))
 • Power supply/Consumption: IN 12Vdc/24Vac, 20W max
 • Power supply/Consumption: IN 120/230Vac, 40W max
 Blower with thermostat and air filter, Ton 35°C±3°C (95°F±5°F) Toff 20°C±3°C (71°F±5°F) and back cover
 • IN 12Vdc, consumption 4W max
 • IN 24Vac, consumption 4W max
 Not compatible with bracket with internal cable channel.
 Camera power supply
 • IN 100-240Vac, 50/60Hz - OUT 12Vdc, 1A
 • IN 230Vac - OUT 24Vac, 50/60Hz, 400mA

ENVIRONMENT

Indoor/Outdoor
 Operating temperature with heating: -20°C / +60°C (-4°F / +140°F)

CERTIFICATIONS

CE EN61000-6-3, EN60065, EN50130-4
 IP66/IP67 EN60529 with cable glands
 IP66/IP67 EN60529 with special gaskets and bracket with internal cable channel
 IP55 EN60529 with bracket with internal cable channel

ACCESSORIES

OHEH02B Heater 120/230Vac for HEB, HEK housings
 OHEH01B Heater 12Vdc/24Vac for HEB, HEK housings
 OHEPS10B Wide range camera power supply IN 100-240Vac - OUT 12Vdc, 15W, for HEK housing
 OHEPS11B Camera power supply IN 230Vac - OUT 24Vac, 10VA, for HEK housing
 OWBIP2 Sealing rings kit (3xM16) IP66/IP67 for WBOVA2 and WCM4A2 brackets for PUNTO, HOV, HTV, HTC, VERSO, VERSO POLAR, VERSO COMPACT, HEB, HEK housings
 OHEGBB Weatherproof junction box
 OSUPPIR Bracket for mounting 1 GEKO IRH illuminator under the housing

RELATED PRODUCTS

PTH300 Horizontal/vertical Pan & Tilt
 PTH900 Horizontal/vertical Pan & Tilt

BRACKETS AND ADAPTORS

WBMA Wall bracket with ball joint
 WBOVA2 Wall bracket with internal cable channel
 WBOV3A2 Wall bracket with internal cable channel, counterplate and support box, not compatible with OHEBVF1, OHEBVF2 and OHEBVF3
 WCM3A Ceiling bracket with ball joint
 WCM5A Ceiling bracket with ball joint
 WCM4A2 Ceiling bracket with internal cable channel
 WFWCA Column bracket with joint

SPARE PARTS

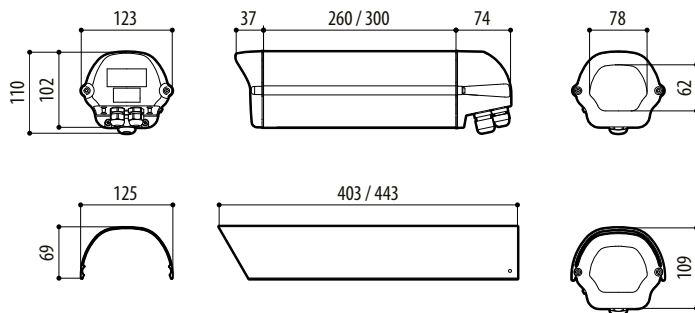
OHEKS26A000 Sunshield HEK26
 OHEKS30A000 Sunshield HEK30
 DOTHE02 Spacers for camera and lens
 OHEKMAN Cable glands, gaskets and screws
 OHEKFA06 Front cover RAL7030 with glass, screws and gaskets
 OHEKFP06 Back cover RAL7030 with cable glands, gaskets and screws

PACKAGE

| Model Number | Weight | Dimensions (WxHxL) | Master carton |
|--------------|---------------|-------------------------|---------------|
| HEK26K1Y000B | 2.3kg (5lb) | 14x15x46cm (5.5x6x18in) | 10 |
| HEK30K1Y000B | 2.4kg (5.3lb) | 14x15x46cm (5.5x6x18in) | 10 |

TECHNICAL DRAWINGS

Sizes in millimeters.



HEK