

# HTV

## ALUMINIUM HOUSING FOR THERMAL CAMERAS



### DESCRIPTION

This housing has been designed to fit thermal cameras with compact lenses for vision even in total darkness.

It can be used for a wide range of day/night surveillance systems, such as monitoring and rescue in the event of a fire, public safety or airport, industrial and environmental surveillance.

The frontal opening system allows an easy access to the camera and all internal connections.

A wide range of accessories for mounting the equipment is available thereby satisfying all installation needs.

### MAIN FEATURES

Germanium window

IP66/IP67 (with cable glands or optional sealing rings)

Pre-arranged for internal cable management bracket

Side opening, easy camera servicing

Available accessories: heater, camera power supply, alarm tamper switch

## TECHNICAL DATA

### GENERAL

Constructed from aluminium

Sunshield in ABS

Epoxy polyester powder painting, RAL9002 colour

Stainless steel external screws

### MECHANICAL

Dimensions (WxHxL): 176x160x514mm (6.9x6.3x20.2in)

Cable glands: 3xM16

Unit weight: 4kg (8.8lb)

### HOUSING'S WINDOW

Germanium window

- Usable diameter: 55mm (2.1in)
- Thick: 2mm (0.08in)
- External treatment: antiscratch (Hard Carbon Coating - DLC), antireflection
- Internal treatment: antireflection
- Spectral range: from 7.5µm to 14µm
- Medium transmittance (from 7.5µm to 11.5µm): 90%
- Medium transmittance (from 11.5µm to 14µm): 77%

### ELECTRICAL

Supply voltage/Current consumption (empty version):

- From 12Vdc to 24Vdc, 1A max
- From 12Vac to 24Vac, 1A max, 50/60Hz
- From 120Vac to 230Vac, 400mA max, 50/60Hz

Supply voltage/Current consumption (version with heater, Ton 15°C±3°C (59°F±5°F), Toff 22°C±3°C (72°F±5°F)):

- From 12Vdc to 24Vdc, 3A max
- From 12Vac to 24Vac, 3A max, 50/60Hz
- From 120Vac to 230Vac, 400mA max, 50/60Hz

Camera power supply:

- IN from 100Vac to 240Vac, 50/60Hz - OUT 12Vdc, 1.25A
- IN 230Vac, 50Hz - OUT 24Vac, 50Hz, 400mA

### ENVIRONMENT

For installation indoors and outdoors

Operating temperature (with heater): from -20°C (-4°F) to +60°C (140°F)

### CERTIFICATIONS

Electrical safety (CE): EN60950-1

Electromagnetic compatibility (CE): EN50130-4, EN61000-6-3, EN55032 Class B, FCC Part 15 Class B, ICES-003 Class B

IP protection degree (EN60529):

- IP66/IP67 (with cable glands)
- IP66/IP67 (with bracket with internal cable channel, with sealing rings)
- IP55 (with bracket with internal cable channel)
- IP44 (with double filter for air renewal)

EAC certification

### ACCESSORIES

OHEH26	Heater 120Vac/230Vac for HOV, HTV, VERSO, VERSO COMPACT housings
OHEH27	Heating 12Vdc/24Vac for HOV, HTV, HTC, VERSO and VERSO COMPACT housings
OHOVPS1B	Wide range camera power supply IN 100-240Vac - OUT 12Vdc, 1.25A, for HOV and HTV housing
OHOVPS2B	Camera power supply IN 230Vac - OUT 24Vac, 10VA, for HOV and HTV housings
OHOVTA1	Tamper switch on board with tamper proof screws and key for HOV housing
OHEGBB	Weatherproof junction box
OWBIP2	Sealing rings kit (3xM16) IP66 for WBOVA2 and WCM4A2 brackets for PUNTO, HOV, HTV, VERSO, VERSO POLAR, VERSO COMPACT, HEB, HEK housings

### RELATED PRODUCTS

PTH300	Horizontal/vertical Pan & Tilt
--------	--------------------------------

### BRACKETS AND ADAPTORS

WBJA	Wall mount bracket
WBOVA2	Wall bracket with internal cable channel
WBOV3A2	Wall bracket with internal cable channel, counterplate and support box, not compatible with OHEBVF1, OHEBVF2 and OHEBVF3
WCM3A	Ceiling bracket with ball joint
WCM5A	Ceiling bracket with ball joint
WCM4A2	Ceiling bracket with internal cable channel
WCMPA	Linear extension for WCM4A2 and WCM5A
WFWCA	Column bracket with joint
DBHWGC	Pole adapter Ø 210mm, max 225mm (8.2in, max 8.9in). To be combined with the reinforcing support plate WCPA.
WCWA	Corner mount adaptor
WSFPA	Pole mount adaptor
WCPA	Reinforcing support plate for poor consistency walls
NXWTU	Wall adaptor module in stainless steel AISI 316L

### SPARE PARTS

OHTV32SUP	Complete upper body
-----------	---------------------

### PACKAGE

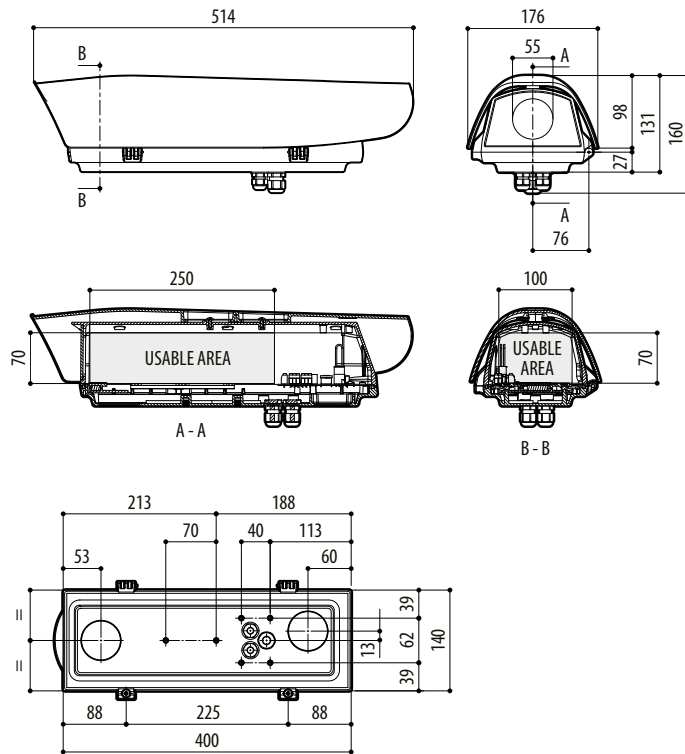
Model Number	Weight	Dimensions (WxHxL)	Master carton
HTV32K1A000	3.4kg (7.5lb)	19.5x14.5x53cm (7.6x5.7x20.8in)	4

## AVAILABLE MODELS

Model Number	Housing sunshield	Power supply 230Vac	Power supply 24Vac	Ø germanium window
HTV32K1A000	✓	✓	-	50mm (1.97in)
HTV32K2A000	✓	-	✓	50mm (1.97in)

## TECHNICAL DRAWINGS

The indicated measurements are expressed in millimetres.



HTV