

MAXIMUS MPX SERIES2 RANGE, BRACKETS



MPXWBA

WALL MOUNT BRACKET

Made of AISI 316L electropolished stainless steel

Load rating: 40kg (88lb)

Length: 400mm (15.7in)

Can be coupled with modular components (MPXCW, MPXCOL).



MPXWBA

MPXCOL

POLE MOUNT ADAPTOR

Made of AISI 316L electropolished stainless steel

For pole diameters: from 110mm (4.3in) up to 150mm (5.9in)

Load rating: 50kg (110lb)

Dimensions: 198x182mm (7.8x7.2in)



MPXCOL

MPXCW

CORNER MOUNT ADAPTOR

Made of AISI 316L electropolished stainless steel

Load rating: 50kg (110lb)

Dimensions: 335x186mm (13.2x7.3in)

Suitable for: MPXWBA, MHXWBS



MPXCW

MPXWBTA

PARAPET OR CEILING MOUNTING BRACKET

Made of AISI 316L electropolished stainless steel

Load rating: 40kg (88lb)

Dimensions: Ø 238mm (9.4in)



MPXWBTA

MBXMP

PLATE FOR ASSEMBLY OF THE MAXIMUS MBX WITH MPXCOL POLE ADAPTOR OR WITH MPXCW CORNER ADAPTOR

In stainless steel

Dimensions: 220x240x10mm (8.7x9.4x0.4in)



MBXMP

TECHNICAL DATA

MPXWBA

MECHANICAL

Made of AISI 316L electropolished stainless steel

Load rating: 40kg (88lb)

Length: 400mm (15.7in)

Can be coupled with modular components: MPXCW, MPXCOL

Unit weight: 5.4kg (11.9lb)

PART NUMBER

MPXWBA AISI 316L stainless steel wall bracket

PACKAGE

Model Number	Weight	Dimensions (WxHxL)	Master carton
MPXWBA	6.1kg (13.5lb)	43.5x42x20cm (17x16.5x8in)	4

MPXCOL

MECHANICAL

Suitable for MHXWBS

Suitable for MPXWBA

Made of AISI 316L electropolished stainless steel

For pole diameters: 110-150mm (4.3-5.9in)

Load rating: 50kg (110lb)

Unit weight: 4.5kg (9.9lb)

PART NUMBER

MPXCOL AISI 316L stainless steel pole adaptor module

PACKAGE

Model Number	Weight	Dimensions (WxHxL)	Master carton
MPXCOL	4.9kg (10.8lb)	24x15x21.5cm (9.4x6x8.5in)	6

MPXCW

MECHANICAL

Suitable for MPXWBA

Suitable for MHXWBS

Made of AISI 316L electropolished stainless steel

Load rating: 50kg (110lb)

Dimensions: 335x186mm (13.2x7.3in)

Unit weight: 3.6kg (7.9lb)

PART NUMBER

MPXCW AISI 316L stainless steel corner adaptor module

PACKAGE

Model Number	Weight	Dimensions (WxHxL)	Master carton
MPXCW	4.8kg (10.6lb)	36.5x25.5x26cm (14.4x10x10.2in)	5

MPXWBT

MECHANICAL

Made of AISI 316L electropolished stainless steel

Load rating: 40kg (88lb)

Dimensions: Ø 238mm (9.4in)

Unit weight: 2.8kg (6.2lb)

PART NUMBER

MPXWBT AISI 316L stainless steel parapet or ceiling mounting bracket

PACKAGE

Model Number	Weight	Dimensions (WxHxL)	Master carton
MPXWBT	3.2kg (7.1lb)	33x27x6.5cm (13x11x2.4in)	-

MBXMP

MECHANICAL

In stainless steel

Suitable for MPXCW, MPXCOL

Dimensions: 220x240x10mm (8.7x9.4x0.4in)

Unit weight: 3.7kg (8lb)

PART NUMBER

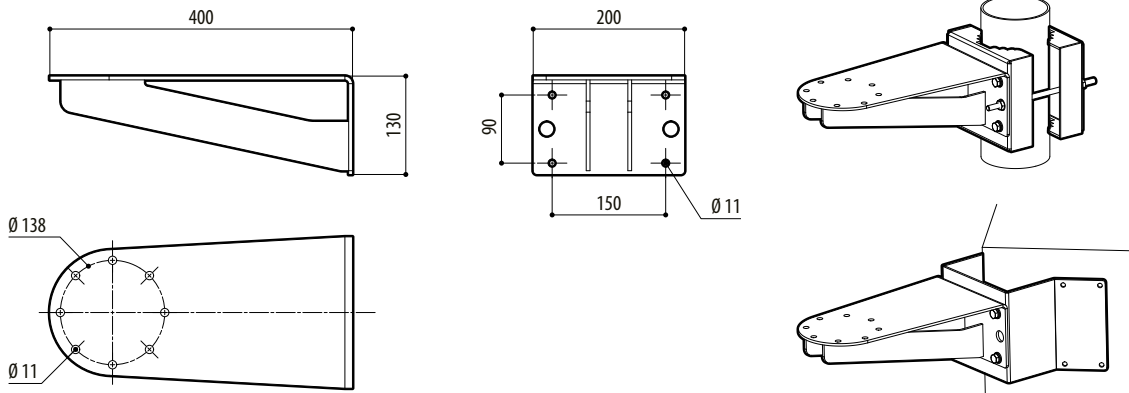
MBXMP Plate for assembly of the MAXIMUS MBX with MPXCOL pole adaptor or with MPXCW corner adaptor

PACKAGE

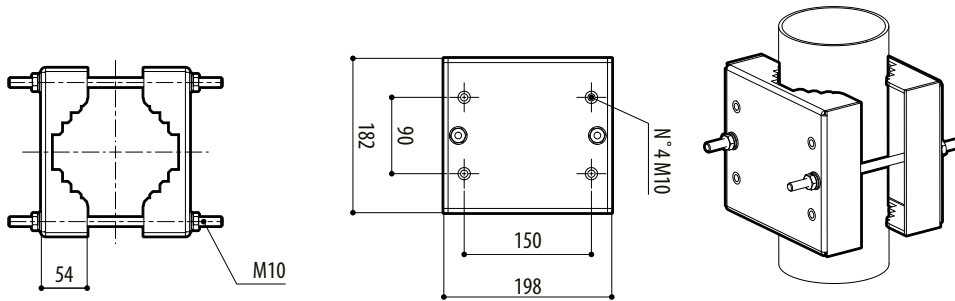
Model Number	Weight	Dimensions (WxHxL)	Master carton
MBXMP	4kg (8.8lb)	33x27x7.5cm (13x10.6x3in)	-

TECHNICAL DRAWINGS

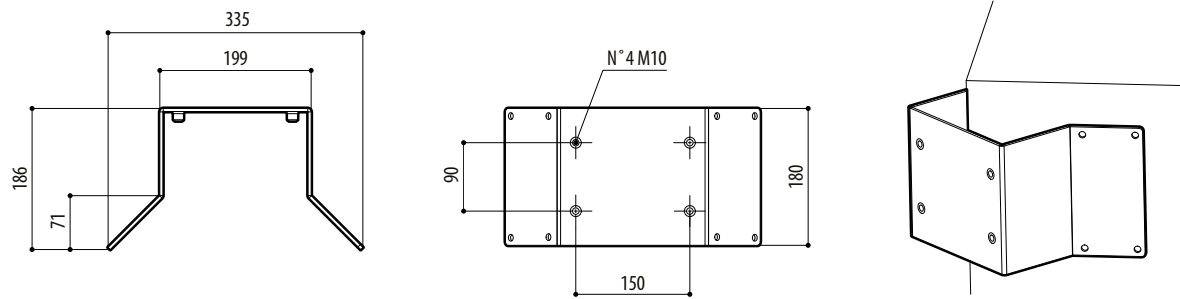
The indicated measurements are expressed in millimetres.



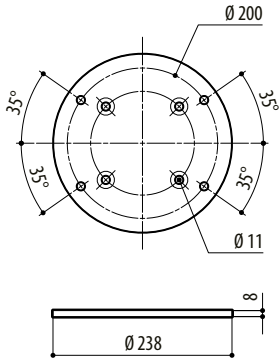
MPXWBA



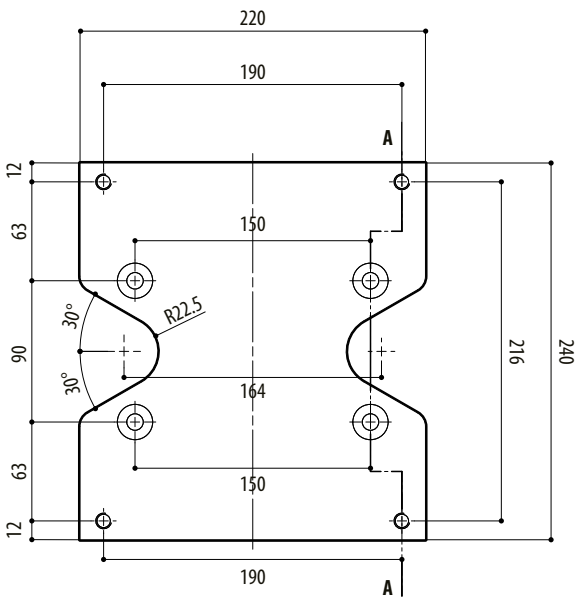
MPXCOL



MPXCW



MPXWBTA



MBXMP

