

# MAXIMUS MVX RANGE, BRACKETS



## NXWBS1

### WALL MOUNT BRACKET

Made of AISI 316L electropolished stainless steel

Load rating: 45kg (99lb)

Dimensions: 371x186mm (14.6x7.3in)

Suitable for: NXCOL, NXCW



NXWBS1

## NXCOL

### POLE MOUNT ADAPTOR

Made of AISI 316L electropolished stainless steel

For pole diameters: from 110mm (4.3in) up to 150mm (5.9in)

Load rating: 50kg (110lb)

Dimensions: 180x196mm (7.0x7.7in)



NXCOL

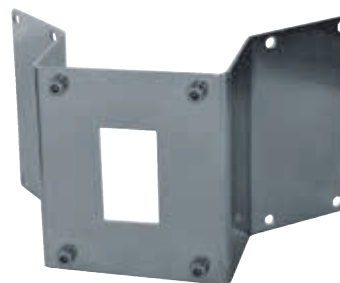
## NXCW

### CORNER MOUNT ADAPTOR

Made of AISI 316L electropolished stainless steel

Load rating: 50kg (110lb)

Dimensions: 180x291mm (7x11.5in)



NXCW

## MHXWFWCA

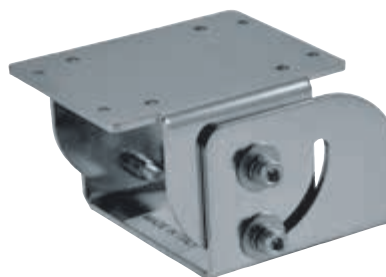
### PARAPET MOUNTING BRACKET

Made of AISI 316L electropolished stainless steel

Load rating: 40kg (88lb)

Dimensions: Ø 101.6mm (4in)

Compatible with the bracket: NXFWBT



MHXWFWCA

### NXFWBT

#### EXTENSION BRACKET FOR PARAPET MOUNTING

Made of AISI 316L electropolished stainless steel

Load rating: 70kg (154lb)

Height: 124mm (4.9in)

Suitable for MHXWFWCA ball joint

Suitable to MVX housings only if coupled with MHXWFWCA joint



NXFWBT

### NXWTU

#### ADAPTER MODULE FOR OBLIQUE SURFACES

Made of AISI 316L electropolished stainless steel

Load rating: 20kg (44lb) (static load)

Dimensions: 168x234mm (6.6x9.2in)

Suitable for: NXWBS1, WBOVA2, WBJA, WBMA



NXWTU

### MBXMP

#### PLATE FOR ASSEMBLY OF THE MAXIMUS MBX WITH MPXCW CORNER ADAPTOR OR WITH MPXCW CORNER ADAPTOR

In stainless steel

Dimensions: 220x240x10mm (8.7x9.4x0.4in)



MBXMP

## TECHNICAL DATA

### NXWBS1

#### MECHANICAL

Bracket for NTC, NXM36, NXM, NTM, NXW, NTW

Bracket for MVX, MVXT, MVXHD

Suitable for: NXCOL, NXCW

Made of AISI 316L electropolished stainless steel

Load rating: 45kg (99lb)

Dimensions: 371x186mm (14.6x7.3in)

Unit weight: 2.5kg (5.5lb)

#### PART NUMBER

NXWBS1 AISI 316L stainless steel wall bracket with joint

#### PACKAGE

Model Number	Weight	Dimensions (WxHxL)	Master carton
NXWBS1	2.8kg (6.2lb)	16x18.5x46cm (6.3x7.3x18.1in)	8

### NXCOL

#### MECHANICAL

Suitable for NXWBS1, NXWBL, NXWBPTH1

Made of AISI 316L electropolished stainless steel

For pole diameters 110-150mm (4.3-5.9in)

Load rating: 50kg (110lb)

Unit weight: 3.3kg (7.3lb)

#### PART NUMBER

NXCOL AISI 316L stainless steel pole adapter module

#### PACKAGE

Model Number	Weight	Dimensions (WxHxL)	Master carton
NXCOL	3.5kg (7.7lb)	14x25.5x20cm (5.5x10x7.9in)	8

### NXCW

#### MECHANICAL

Suitable for NXWBS1, NXWBL, NXWBPTH1

Made of AISI 316L electropolished stainless steel

Load rating: 50kg (110lb)

Dimensions: 180x291mm (7x11.5in)

Unit weight: 1.2kg (2.6lb)

#### PART NUMBER

NXCW AISI 316L stainless steel corner adapter module

#### PACKAGE

Model Number	Weight	Dimensions (WxHxL)	Master carton
NXCW	1.3kg (2.8lb)	24x32x24.5cm (9.4x12.6x9.6in)	5

### MHXWFWCA

#### MECHANICAL

Ball joint for housings: MVX, MVXT, MVXHD, MHX, MHXT, NXM, NXM36, NXM36 Hi-PoE, NXW, NTW, NTM

Suitable for: NXFWBT

Made of AISI 316L electropolished stainless steel

Load rating: 40kg (88lb)

Dimensions: Ø 101.6mm (4in)

Unit weight: 2kg (4.4lb)

#### PART NUMBER

MHXWFWCA AISI 316L stainless steel ball joint

#### PACKAGE

Model Number	Weight	Dimensions (WxHxL)	Master carton
MHXWFWCA	2.5kg (5.5lb)	19x19x19 cm (7.5x7.5x7.5in)	-

### NXFWBT

#### MECHANICAL

Suitable for: MHXWFWCA

Suitable for MVX housings only if coupled with MHXWFWCA joint

Suitable for NXWBPTH1

Made of AISI 316L electropolished stainless steel

Load rating: 70kg (154lb)

Height: 124mm (4.9in)

Unit weight: 0.9kg (2lb)

#### PART NUMBER

NXFWBT AISI 316L stainless steel parapet mounting bracket

#### PACKAGE

Model Number	Weight	Dimensions (WxHxL)	Master carton
NXFWBT	1kg (2.2lb)	10x16x23cm (4x6x9in)	-

### NXWTU

#### MECHANICAL

Suitable for NXWBS1, WBOVA2, WBJA, WBMA brackets

Made of AISI 316L electropolished stainless steel

Load rating: 20kg (44lb) (static load)

Screws tightening torque: 20Nm

Dimensions: 168x234mm (6.6x9.2in)

Unit weight: 2.6kg (5.7lb)

#### PART NUMBER

NXWTU AISI 316L stainless steel adapter module for oblique surfaces

#### PACKAGE

Model Number	Weight	Dimensions (WxHxL)	Master carton
NXWTU	2.8kg (6.2lb)	24x15x21cm (9.4x6x8.2in)	10

## MBXMP

### MECHANICAL

In stainless steel

Suitable for MPXCW, MPXCOL

Dimensions: 220x240x10mm (8.7x9.4x0.4in)

Unit weight: 3.7kg (8lb)

### PART NUMBER

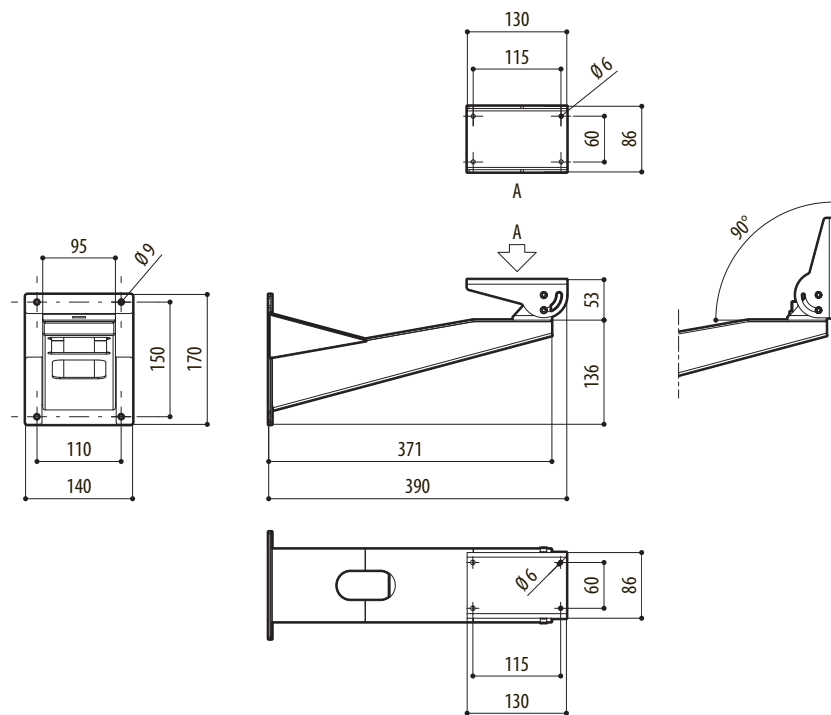
MBXMP Plate for assembly of the MAXIMUS MBX with MPXCOL pole adaptor or with MPXCW corner adaptor

### PACKAGE

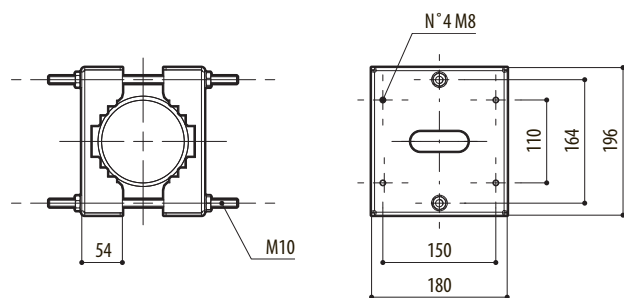
Model Number	Weight	Dimensions (WxHxL)	Master carton
MBXMP	4kg (8.8lb)	33x27x7.5cm (13x10.6x3in)	-

## TECHNICAL DRAWINGS

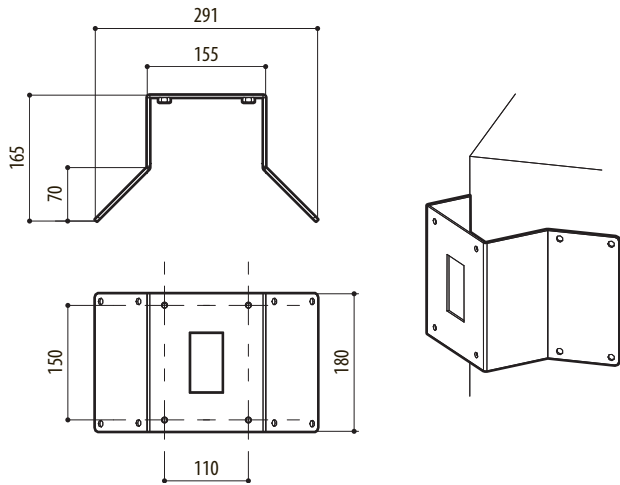
The indicated measurements are expressed in millimetres.



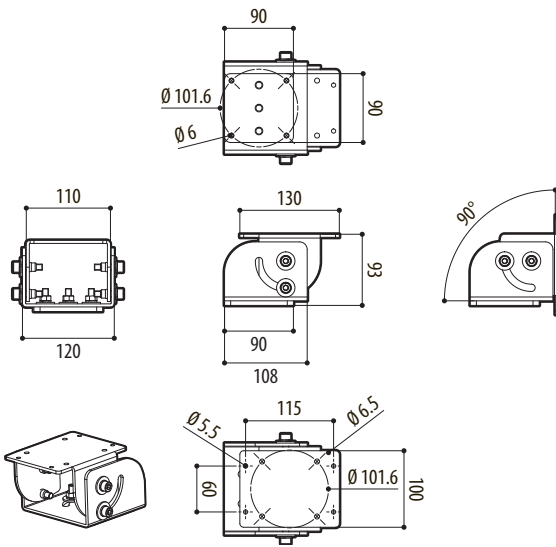
NXWBS1



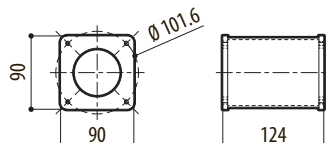
NXCOL



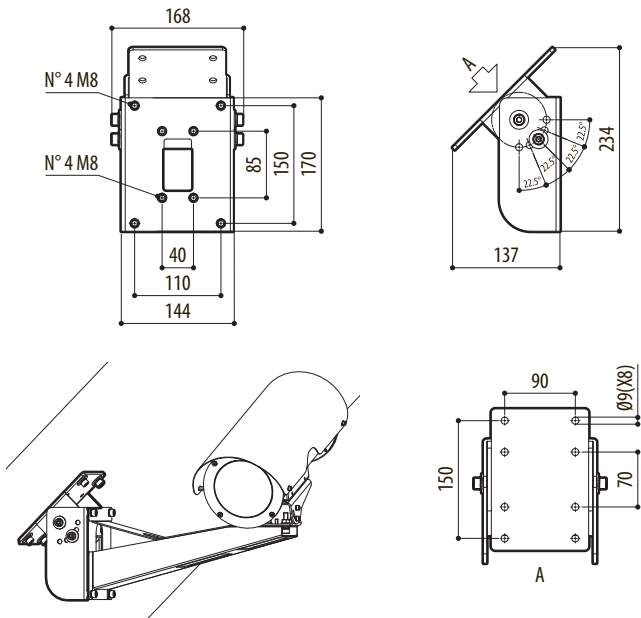
NXCW



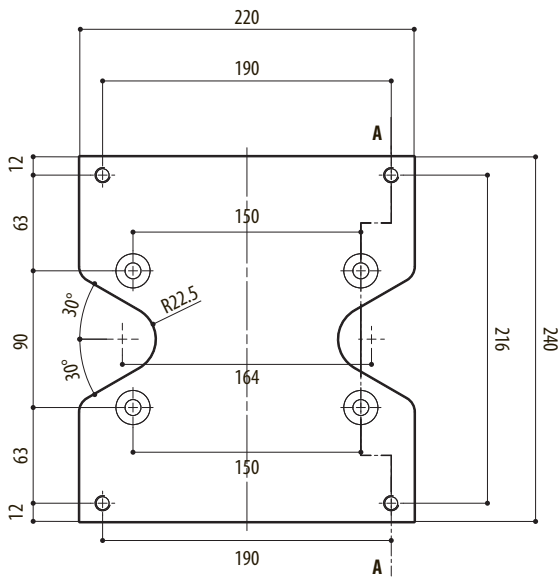
MHXFWCA



NXFWBT



NXWTU



MBXMP