

IP66

IP67



### DESCRIPTION

This housing for thermal camera provides the vision also in complete darkness, fog, rain, smoke or for long-range distances.

The germanium window has non-scratch treated, Hard Carbon Coating (DLC) on the outside and antireflection inside; the spectral range is from  $7.5\mu\text{m}$  to  $14\mu\text{m}$ .

The AISI 316L stainless steel construction allows the installation in environments with highly corrosive external agents, such as marine, industrial or chemical environments.

The NTM housing can be installed on NXPTH Pan & Tilt head, to obtain a complete positioning system.

### MAIN FEATURES

Made of AISI 316L electropolished stainless steel

Germanium window

Cylindrical body enclosed by two 9mm(0.4in)-thick circular flanges

2 PG13.5 cable glands in nickel-plated brass for external connections

IP66/IP67

Available accessories: camera power supply

## TECHNICAL DATA

### GENERAL

Housing manufactured in polished stainless steel (austenitic stainless alloy steel resistant to corrosion and heat):

- AISI 316L
- UNI 6900-71: X 2 Cr Ni Mo 17 12 2
- DIN 17006: X 2 Cr Ni Mo 17 13 2
- N° werkstoff: 1.4404
- AFNOR: Z2 CND 17-12
- BSI: 316S11

The screws utilised are in austenitic alloy stainless steel, corrosion and heat resistant according to the following standards:

- ISO: 7380
- AISI: 316
- ISO quality: A4

### MECHANICAL

Internal usable area (WxH): 88x86mm (3.5x3.4in)

Internal usable length (without accessories): 334mm (13.1in)

Internal usable length (with heater and/or power supply): 245mm (9.6in)

Cable glands: 2xPG13.5 (nickel-plated brass for external connections)

Flange thickness: 9mm (0.35in) (front/back)

Gaskets: High sealing O-ring

Unit weight: 6kg (13.3lb)

### HOUSING'S WINDOW

Germanium window:

- Usable diameter: 55mm (2.1in)
- Thick: 2mm (0.08in)
- External treatment: antiscratch (Hard Carbon Coating- DLC), antireflection
- Internal treatment: antireflection
- Spectral range: from 7.5µm to 14µm
- Medium transmittance (from 7.5µm to 11.5µm): 90%
- Medium transmittance (from 11.5µm to 14µm): 77%

### ELECTRICAL

Supply voltage/Current consumption (version with heater, Ton 15°C±3°C (59°F ±5°F), Toff 22°C±3°C (72°F±5°F)):

- 12Vdc, 1.6A max
- 24Vac, 0.85A max, 50/60Hz
- 120Vac, 0.35A max, 50/60Hz
- 230Vac, 0.18A max, 50/60Hz

Camera power supply

- IN from 100Vac to 240Vac, 50/60Hz - OUT 12Vdc, 1.25A
- IN 230Vac, 50Hz - OUT 24Vac, 50Hz, 400mA

### ENVIRONMENT

For installation indoors and outdoors

Operating temperature with heating: from -20°C (-4°F) to +60°C (140°F)

### CERTIFICATIONS

Electrical safety (CE): EN60065

Electromagnetic compatibility (CE): EN50130-4, EN61000-6-3

IP protection degree: EN60529 (IP66/IP67)

EAC certification

### ACCESSORIES

OHEH05B	Heater 12Vdc/24Vac
OHEH06B	Heater 120/230Vac
ONXPS1B	Wide range power supply for camera IN 100-240Vac - OUT 12Vdc, 1.25A
ONXPS2B	Camera power supply IN 230Vac - OUT 24Vac, 400mA

### RELATED PRODUCTS

NXPHT Stainless steel P&T motor

### BRACKETS AND ADAPTORS

NXWBS1	AISI 316L stainless steel wall bracket with joint
NXC0L	AISI 316L stainless steel pole adapter module
NXCW	AISI 316L stainless steel corner adapter module
NXWTU	Wall adaptor module in stainless steel AISI 316L
MHXWFWCA	AISI 316L stainless steel ball joint
MHXWBS	AISI 316L stainless steel wall bracket

### SPARE PARTS

ONXMMAN	Maintenance kit for NXM
ONTMFA	Front cover complete with germanium window

### PACKAGE

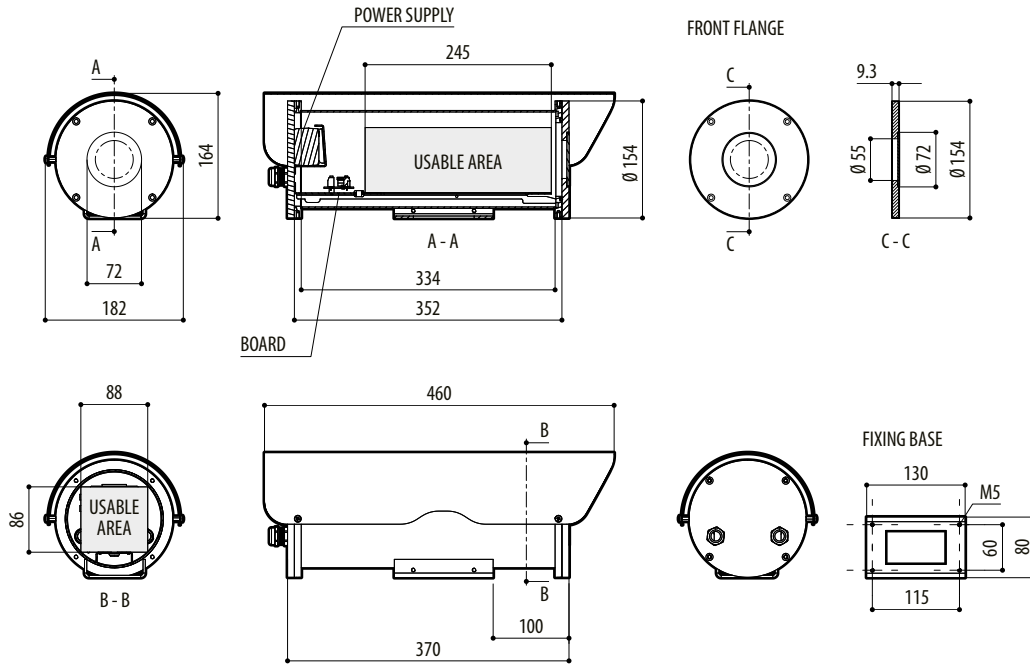
Model Number	Weight	Dimensions (WxHxL)	Master carton
NTM1K1000	7.3kg (16.1in)	24.5x24.5x62cm (9.6x9.6x24.4in)	-

## AVAILABLE MODELS

Model Number	Housing sunshield	Power supply 230Vac	Power supply 24Vac	Ø germanium window
NTM1K1000	✓	✓	–	55mm (2.1in)

## TECHNICAL DRAWINGS

The indicated measurements are expressed in millimetres.



NTM