

# NVX RANGE, BRACKETS



## UEAP

### POLE MOUNT ADAPTOR

AISI 316L stainless steel construction

For pole diameters: from 60mm up to 200mm



UEAP

## UEAC

### CORNER MOUNT ADAPTOR

AISI 316L stainless steel construction

Dimensions: 120x220mm (4.7x8.7in)



UEAC

## UEAW

### COUNTER-PLATE

AISI 316L stainless steel construction

Dimensions: 200x200x25mm (7.9x7.9x0.98in)



UEAW

## TECHNICAL DATA

### UEAP

#### MECHANICAL

Bracket for UEBW (ULISSE EVO) and for NVX, NTX cameras  
 AISI 316L stainless steel construction  
 Dimensions: 121x85mm (4.7x3.3in)  
 Unit weight: 0.35kg (0.77lb)

#### PART NUMBER

UEAP Pole adaptor in stainless steel AISI 316L

#### PACKAGE

Model Number	Weight	Dimensions (WxHxL)	Master carton
UEAP	0.6kg (1.3lb)	9.5x13x19.5cm (3.7x5x7.7in)	-

### UEAC

#### MECHANICAL

Bracket for UEBW (ULISSE EVO) and for NVX, NTX cameras  
 AISI 316L stainless steel construction  
 Dimensions: 120x220x128mm (4.7x8.7x5in)  
 Unit weight: 1.1kg (2.2lb)

#### PART NUMBER

UEAC Corner adaptor in stainless steel AISI 316L

#### PACKAGE

Model Number	Weight	Dimensions (WxHxL)	Master carton
UEAC	1.45kg (3.2lb)	14.5x26.5x14.5cm (5.7x10.4x5.7in)	-

### UEAW

#### MECHANICAL

Bracket for UEBW, UEBP (ULISSE EVO) and for NVX, NTX cameras  
 AISI 316L stainless steel construction  
 Dimensions: 200x200x25mm (7.9x7.9x0.98in)  
 Unit weight: 1.38kg (3.04lb)

#### PART NUMBER

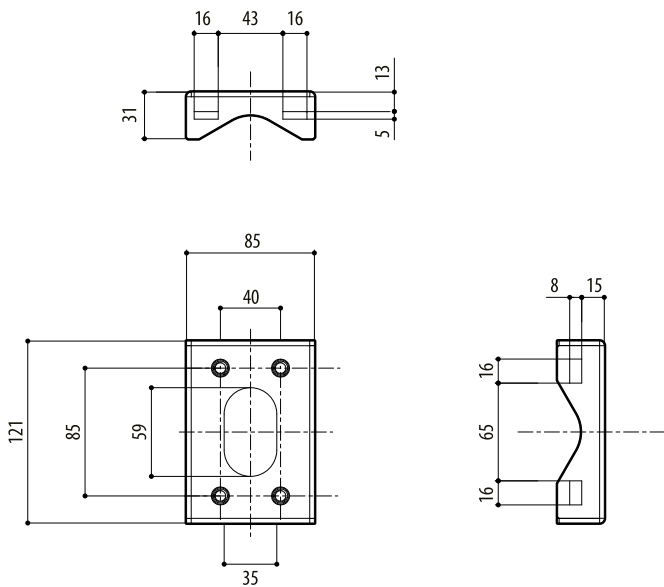
UEAW Counter-plate in stainless steel AISI 316L

#### PACKAGE

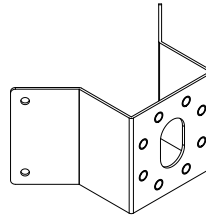
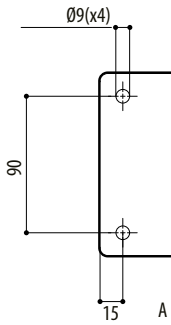
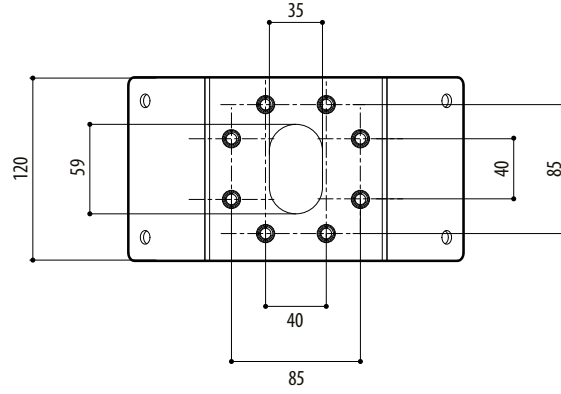
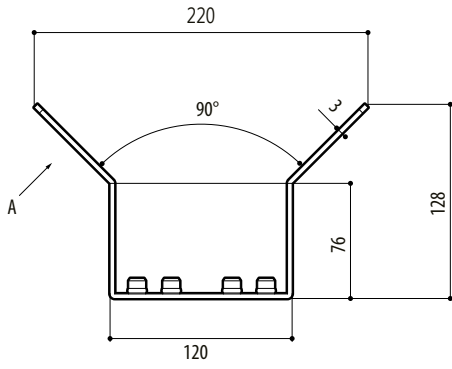
Model Number	Weight	Dimensions (WxHxL)	Master carton
UEAW	1.85kg (4lb)	33x27x7.5cm (13x10.6x3in)	-

## TECHNICAL DRAWINGS

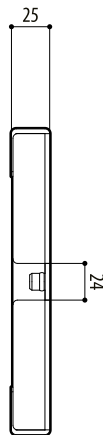
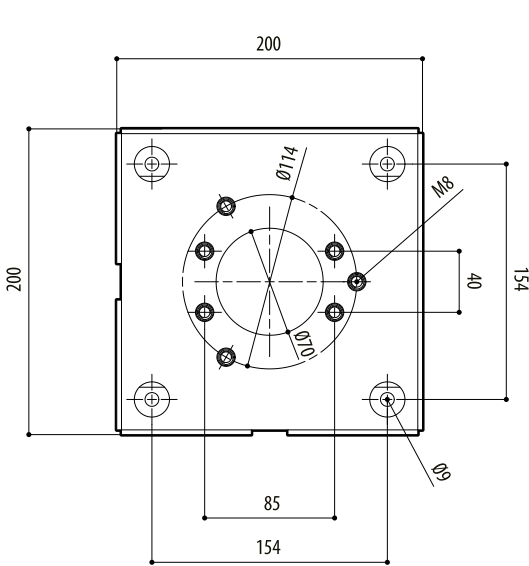
The indicated measurements are expressed in millimetres.



UEAP



UEAC



UEAW