

# NXPTZ SERIES2 RANGE, ACCESSORIES



## CMS-CMA

### ARMoured AND UNARMoured MULTIPOLAR CABLES SOLD BY THE METRE

Prepared for Ethernet, video, I/O and telemetry connections

Resistant to oil, flames and ultra-violet rays

Available in an armoured and unarmoured version

Available in black or blue

Designed for potentially explosive zones



CMS-CMA

## WAS-WASPT

### 5 OR 23 LITER TANK WITH PUMP

Polyethylene tank with stainless steel cage

Delivery head: 5m (16ft), 11m (36ft), 30m (98ft)

Operating temperature: from -10°C (14°F) up to +60°C (140°F)

Available voltages: 230Vac, 120Vac, 24Vac

IP protection degree (EN60529): IP66 (only products with 5m (16ft) or 11m (36ft) delivery head)

The WASPT0V23L11M00 washer pump with tank of 23l (6gal) and delivery head 11m (36ft) is certified "Lloyd's Register Marine Type Approval"



WASHERS AND TANKS

## WASNX

### WASHER PUMP WITH SOLENOID VALVE FOR STAINLESS STEEL PRODUCTS

Enclosure made of stainless steel AISI 316L

Delivery head: up to 20m (66ft)

Water tank capacity: 10l (2.6gal)

Suitable for Videotec products or with third-party products

Operating temperature: from -20°C (-4°F) up to +60°C (140°F)

Available voltages: 230Vac, 120Vac, 24Vac

IP protection degree (EN60529): IP65 (solenoid valve only, enclosure not rated)



WASNX

## FM1010

### EMC FILTER FOR MARINE CERTIFICATION

Electrical data: from 0 up to 250V DC/AC 50/60 Hz, 6A



FM1010

## NXPTZSFP

### ADAPTOR FOR CONNECTION OF FIBER OPTICS IN THE NXPTZ SERIES2 RANGE

In stainless steel AISI 316L



NXPTZSFP

## TECHNICAL DATA

### CMS-CMA

#### CMSN2200

##### GENERAL

Unarmoured black cable: 2 Ethernet cables, 3 power supply conductors, 2 coaxial video cables, 15 alarm conductors, relay and telemetry

##### MECHANICAL

Unarmoured cable

External diameter: 18.6mm (0.73in) ± 0.35mm (0.01in)

Minimum bending radius: 186mm (7.3in)

Colour: Black (RAL9005)

##### ELECTRICAL

Power supply

- Number of conductors: 3
- Section: 1.5mm<sup>2</sup> (15AWG)
- Working voltage: 300V max

##### NETWORK

Ethernet: 2 cables, Category 5E, shielded cables

##### VIDEO

2 coaxial cables, RG179

##### I/O INTERFACE

Alarms, relay and telemetry

- Number of conductors: 15
- Section: 0.34mm<sup>2</sup> (22AWG)

##### ENVIRONMENT

Temperature: from -40°C (-40°F) up to +85°C (+185°F)

Type of laying: fixed installation

Oil resistant (complies with CNOMO E.03.40.150N, ASTM n.2, IRM 902, IEC60811-2-1)

UV resistant (complies with UL1581)

Flame retardant (complies with IEC/EN60332-1)

##### CERTIFICATIONS

UL Style 20233

IEC/EN 60079-14 (ATEX Ex II)

#### CMSB2200

##### GENERAL

Unarmoured blue cable: 2 Ethernet cables, 3 power supply conductors, 2 coaxial video cables, 15 alarm conductors, relay and telemetry

##### MECHANICAL

Unarmoured cable

External diameter: 18.6mm (0.73in) ± 0.35mm (0.01in)

Minimum bending radius: 186mm (7.3in)

Colour: Blue (RAL5015)

##### ELECTRICAL

Power supply

- Number of conductors: 3
- Section: 1.5mm<sup>2</sup> (15AWG)
- Working voltage: 300V max

##### NETWORK

Ethernet: 2 cables, Category 5E, shielded cables

##### VIDEO

2 coaxial cables, RG179

##### I/O INTERFACE

Alarms, relay and telemetry

- Number of conductors: 15
- Section: 0.34mm<sup>2</sup> (22AWG)

##### ENVIRONMENT

Temperature: from -40°C (-40°F) up to +85°C (+185°F)

Type of laying: fixed installation

Oil resistant (complies with CNOMO E.03.40.150N, ASTM n.2, IRM 902, IEC60811-2-1)

UV resistant (complies with UL1581)

Flame retardant (complies with IEC/EN60332-1)

##### CERTIFICATIONS

UL Style 20233

IEC/EN 60079-14 (ATEX Ex II)

## CMAN1200

### GENERAL

Armoured black cable: 1 Ethernet cable, 3 power supply conductors, 1 coaxial video cable, 7 alarm conductors, relay and telemetry

### MECHANICAL

Armoured cable

External diameter: 20.0mm (0.78in) ± 0.5mm (0.02in)

Diameter under armature: 15.2mm (0.6in)

Minimum bending radius: 220mm (8.6in)

Colour: Black (RAL9005)

### ELECTRICAL

Power supply

- Number of conductors: 3
- Section: 2.5mm<sup>2</sup> (13AWG)
- Working voltage: 300V max

### NETWORK

Ethernet: 1 cable, Category 5E, shielded cable

### VIDEO

1 coaxial cable, RG179

### I/O INTERFACE

Alarms, relay and telemetry

- Number of conductors: 7
- Section: 0.34mm<sup>2</sup> (22AWG)

### ENVIRONMENT

Temperature: from -60°C (-76°F) up to +105°C (+221°F)

Type of laying: fixed installation

Oil resistant (complies with CNOMO E.03.40.150N, ASTM n.2, IRM 902, VDE 0472 p.803 test B)

UV resistant (complies with IEC60068-2-5)

Flame retardant (complies with IEC/EN60332-1, IEC/EN60332-3-22)

### CERTIFICATIONS

IEC/EN 60079-14 (ATEX Ex II)

## CMAB1200

### GENERAL

Armoured blue cable: 1 Ethernet cable, 3 power supply conductors, 1 coaxial video cable, 7 alarm conductors, relay and telemetry

### MECHANICAL

Armoured cable

External diameter: 18.0mm (0,7in) ± 0.5mm (0.02in)

Diameter under armature: 13.35mm (0.53in)

Minimum bending radius: 230mm (9.0in)

Colour: Blue (RAL5015)

### ELECTRICAL

Power supply

- Number of conductors: 3
- Section: 1.5mm<sup>2</sup> (15AWG)
- Working voltage: 300V max

### NETWORK

Ethernet: 1 cable, Category 5E, shielded cable

### VIDEO

1 coaxial cable, RG179

### I/O INTERFACE

Alarms, relay and telemetry

- Number of conductors: 7
- Section: 0.34mm<sup>2</sup> (22AWG)

### ENVIRONMENT

Temperature: from -60°C (-76°F) up to +105°C (+221°F)

Type of laying: fixed installation

Oil resistant (complies with CNOMO E.03.40.150N, ASTM n.2, IRM 902, VDE 0472 p.803 test B)

UV resistant (complies with IEC60068-2-5)

Flame retardant (complies with IEC/EN60332-1, IEC/EN60332-3-22)

### CERTIFICATIONS

IEC/EN 60079-14 (ATEX Ex II)

### PART NUMBER

CMAB1200 Armoured blue cable

CMAN1200 Armoured black cable

CMSB2200 Unarmoured blue cable

CMSN2200 Unarmoured black cable

## WAS-WASPT

### Washer pump, tank of 5l (1.3gal), 5m (16ft) delivery

Polyethylene tank, stainless steel cage

Dimensions (WxHxL): 217x272x257mm (8.5x10.7x10.1in)

Cable glands: 1xM20 + 3xM16

Unit weight: 3.5kg (7.7lb) (WAS), 3.8kg (8.4lb) (WASPT)

Water tank capacity: 5l (1.3gal)

Delivery head: 5m (16ft) max

Tube length: 5m (16ft)

Supply voltage/Current consumption:

- 230Vac, 0.3A, 50/60Hz
- 120Vac, 0.6A, 50/60Hz
- 24Vac, 1.8A, 50/60Hz

Operating temperature

- Maximum temperature: 60°C (140°F)
- Minimum temperature with antifreeze liquid in solution: -10°C (14°F)
- Minimum temperature with antifreeze liquid in solution (reduced performance and delivery height): -25°C (-13°F)

Electrical safety (CE): EN60950-1

Electromagnetic compatibility (CE): EN50130-4, EN61000-6-3, EN55032 (Class B), FCC Part 15 (Class B)

Outdoor installation (CE): EN60950-22

IP protection degree (EN60529):

- IP66

EAC certification

### Washer pump, tank of 23l (6gal), 5m (16ft) delivery

Polyethylene tank, stainless steel cage

Dimensions (WxHxL): 301x410x348mm (11.8x16.1x13.7in)

Cable glands: 1xM20 + 3xM16

Unit weight: 5.4kg (11.9lb) (WAS), 5.5kg (12.1lb) (WASPT)

Water tank capacity: 23l (6gal)

Delivery head: 5m (16ft) max

Tube length: 5m (16ft)

Supply voltage/Current consumption:

- 230Vac, 0.3A, 50/60Hz
- 120Vac, 0.6A, 50/60Hz
- 24Vac, 1.8A, 50/60Hz

Operating temperature

- Maximum temperature: 60°C (140°F)
- Minimum temperature with antifreeze liquid in solution: -10°C (14°F)
- Minimum temperature with antifreeze liquid in solution (reduced performance and delivery height): -25°C (-13°F)

Electrical safety (CE): EN60950-1

Electromagnetic compatibility (CE): EN50130-4, EN61000-6-3, EN55032 (Class B), FCC Part 15 (Class B)

Outdoor installation (CE): EN60950-22

IP protection degree (EN60529):

- IP66

EAC certification

### Washer pump, tank of 23l (6gal), 11m (36ft) delivery

Polyethylene tank, stainless steel cage

Dimensions (WxHxL): 301x410x348mm (11.8x16.1x13.7in)

Cable glands: 1xM20 + 3xM16

Unit weight: 5.9kg (13lb) (WAS), 6.7kg (14.8lb) (WASPT)

Switch for liquid level (except for 11m (36ft) version of WAS series)

Water tank capacity: 23l (6gal)

Delivery head: 11m (36ft) max

Tube length: 11m (36ft)

Supply voltage/Current consumption:

- 230Vac, 0.5A, 50/60Hz
- 120Vac, 1A, 50/60Hz
- 24Vac, 3.8A, 50/60Hz

Alarm outputs:

- Auto-powered: 1
- Dry contact: 1

Operating temperature

- Maximum temperature: 60°C (140°F)
- Minimum temperature with antifreeze liquid in solution: -10°C (14°F)
- Minimum temperature with antifreeze liquid in solution (reduced performance and delivery height): -25°C (-13°F)

Electrical safety (CE): EN60950-1

Electromagnetic compatibility (CE): EN50130-4, EN61000-6-3, EN55032, (Class B), FCC Part 15 (Class B)

Outdoor installation (CE): EN60950-22

IP protection degree (EN60529):

- IP66

EAC certification

Marine Certification: Lloyd's Register Marine Type Approval (only for the 11m (36ft) version in the WASPT series)

### Washer pump, tank of 23l (6gal), 30m (98ft) delivery

Polyethylene tank, stainless steel cage

Dimensions (WxHxL): 301x620x348mm (11.9x24.4x13.7in)

Cable glands: 1xM20 + 3xM16

Unit weight: 13.9kg (30.6lb) (WAS), 15.1kg (33.3lb) (WASPT)

Water tank capacity: 23l (6gal)

Delivery head: 30m (98ft) max

Tube length: 30m (98ft)

Switch for liquid level

Supply voltage/Current consumption:

- 230Vac, 2A, 50/60Hz
- 120Vac, 4.5A, 60Hz

Alarm outputs:

- Auto-powered: 1
- Dry contact: 1

Operating temperature

- Maximum temperature: 60°C (140°F)
- Minimum temperature with antifreeze liquid in solution: -10°C (14°F)

Electrical safety (CE): EN60950-1

Electromagnetic compatibility (CE): EN50130-4, EN61000-6-3, EN55032, (Class B), FCC Part 15 (Class B)

IP protection degree (EN60529):

- IPX4

EAC certification

#### DTWRX

#### Board for remote control of wiper and washer pump with WASPT

2 functions: WIPER, WASHER

31 selectable addresses through DIP switch

Serial input RS-485

2 status LED: Stand-by and receiver control

Dimensions: 43x56x13mm (1.7x2.2x0.51in)

Unit weight: 0.02kg (0.04lb)

Power consumption: 0.5W

Half duplex RS-485 serial interface for keypad telemetry data reception (maximum distance 1200m/3937ft) and from SM matrix range (maximum distance 1200m/3937ft)

Protocols:

- PELCO D (2400, 9600 baud)
- VIDEOTEC MACRO (9600, 38400 baud)

Operating temperature: from -25°C up to +60°C

Electrical safety (CE): EN60950-1

Electromagnetic compatibility (CE): EN50130-4, EN61000-6-3, FCC Part 15 (Class B)

EAC certification

#### PART NUMBER

WASOV5L5M00	Water tank 5l (1.3gal), pump with delivery up to 5m (16ft), IN 230Vac-24Vac-120Vac
WASOV23L5M00	Water tank 23l (6gal), pump with delivery up to 5m (16ft), IN 230Vac-24Vac-120Vac
WASOV23L11M00	Water tank 23l (6gal), pump with delivery up to 11m (36ft), IN 230Vac-24Vac-120Vac
WAS1V23L30M00	Water tank 23l (6gal), pump with delivery up to 30m (98ft) with water floating, IN 230Vac
WAS3V23L30M00	Water tank 23l (6gal), pump with delivery up to 30m (98ft) with water floating, IN 120Vac
WASPTOV5L5M00	Water tank 5l (1.3gal), pump with delivery up to 5m (16ft), IN 230Vac-24Vac-120Vac
WASPTOV23L5M00	Water tank 23l (6gal), pump with delivery up to 5m (16ft), IN 230Vac-24Vac-120Vac
WASPTOV23L11M00	Water tank 23l (6gal), pump with delivery up to 11m (36ft) with water floating, IN 230Vac-24Vac-120Vac
WASPT1V23L30M00	Water tank 23l (6gal), pump with delivery up to 30m (98ft) with water floating, IN 230Vac
WASPT3V23L30M00	Water tank 23l (6gal), pump with delivery up to 30m (98ft) with water floating, IN 120Vac

#### ACCESSORIES

DTWRX	Data receiver for remote control of the wiper and WASPT range pumps in stand-alone housings
-------	---

#### PACKAGE

Model Number	Weight	Dimensions (WxHxL)	Master carton
WASOV5L5M00	4kg (8.8lb)	31x31x22cm (12.2x12.2x8.6in)	4
WASOV23L5M00	6.2kg (13.7lb)	32x37.5x51cm (12.5x14.7x20in)	-
WASOV23L11M00	5.9kg (13lb)	32x37.5x51cm (12.5x14.7x20in)	-
WAS1V23L30M00	13.1kg (28.9lb)	38x32x79cm (15x12.6x31.1in)	-
WASPTOV5L5M00	4.3kg (9.5lb)	31x31x22cm (12.2x12.2x8.6in)	-
WASPTOV23L5M00	6.4kg (14lb)	32x37.5x51cm (12.5x14.7x20in)	-
WASPTOV23L11M00	7.5kg (16.5lb)	32x37.5x51cm (12.5x14.7x20in)	-
WASPT1V23L30M00	15.4kg (34lb)	38x22x79cm (15x8.6x31in)	-

**WASN****MECHANICAL**

Enclosure made of stainless steel AISI 316L

Delivery pipe supplied

- Length: 20m (66ft)

Pressure: 4bar max

Delivery head: 20m (66ft)

Material (delivery pipe): Antistatic plastic

Dimensions (WxHxL): 429x697x255mm (16.9x27.4x10in)

Unit weight: 18kg (40lb)

Water tank capacity: 10l (2.6gal)

**ELECTRICAL**

Supply voltage/Current consumption

- 230Vac, 0.07A, 50/60Hz
- 120Vac, 0.13A, 50/60Hz
- 24Vac, 0.7A, 50/60Hz

**ENVIRONMENT**

For indoors and outdoors installation

Operating temperature of solenoid valve: from -20°C (-4°F) up to +60°C (140°F)

Operating temperature of device: depending on the solidification temperature of the liquid

**CERTIFICATIONS**

Electrical safety (CE): EN60950-1

Electromagnetic compatibility (CE): EN61000-6-2, EN61000-6-3

Outdoor installation (CE): EN60950-22

IP protection degree (EN60529):

- IP65 (solenoid valve only, enclosure not rated)

EAC certification

**PART NUMBER**

WASN1V10L20M00 Tank 10l (2.6gal) with integrated manual pump controlled by solenoid valve, delivery head up to 20m (66ft) max, IN 230Vac

WASN2V10L20M00 Tank 10l (2.6gal) with integrated manual pump controlled by solenoid valve, delivery head up to 20m (66ft) max, IN 24Vac

WASN3V10L20M00 Tank 10l (2.6gal) with integrated manual pump controlled by solenoid valve, delivery head up to 20m (66ft) max, IN 120Vac

**SPARE PARTS**

OWEXTANK Pump in stainless steel, 10l (2.6gal)

OWEXTUB Water pipe, 20m (66ft)

**BRACKETS AND ADAPTORS**

NXCOL AISI 316L stainless steel pole adapter module

NXCW AISI 316L stainless steel corner adapter module

**PACKAGE**

Model Number	Weight	Dimensions (WxHxL)	Master carton
WASN1V10L20M00	20.3kg (44.7lb)	30x74x46cm (11.8x29.1x18.1in)	-
WASN2V10L20M00	20.3kg (44.7lb)	30x74x46cm (11.8x29.1x18.1in)	-
WASN3V10L20M00	20.3kg (44.7lb)	30x74x46cm (11.8x29.1x18.1in)	-

**FM1010****ELECTRICAL**

Electrical data: from 0 up to 250V DC/AC 50/60 Hz, 6A

**PART NUMBER**

FM1010 EMC filter for Marine certification

**NXPTZSFP****MECHANICAL**

M20x1.5 threaded hole for fiber optics input

External surfaces micro-shot peened in silicon and electro-polished

Dimensions (WxHxL): 122x120x40mm (4.8x4.7x1.6in)

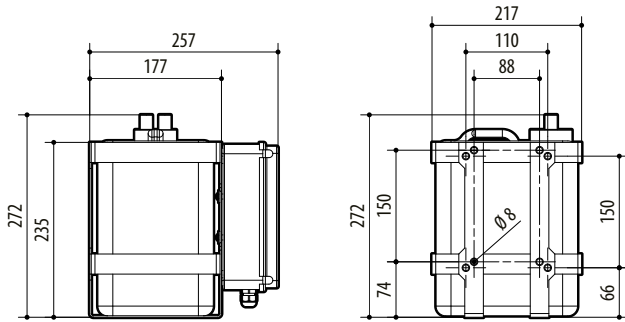
Unit weight: 0.98kg (2.2lb)

**PART NUMBER**

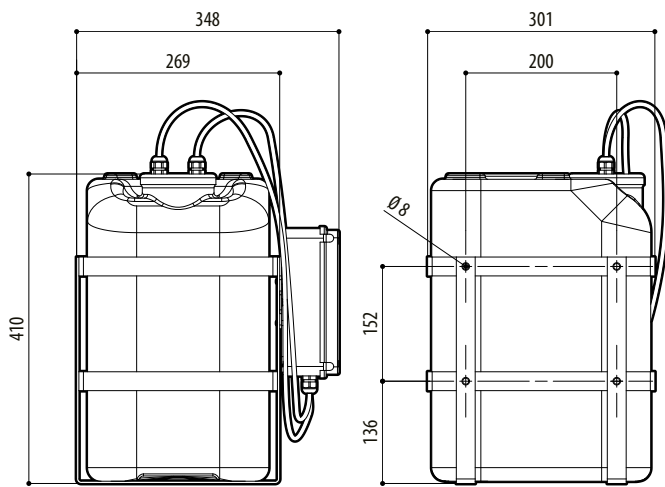
NXPTZSFP Adaptor for connection of fiber optics

## TECHNICAL DRAWINGS

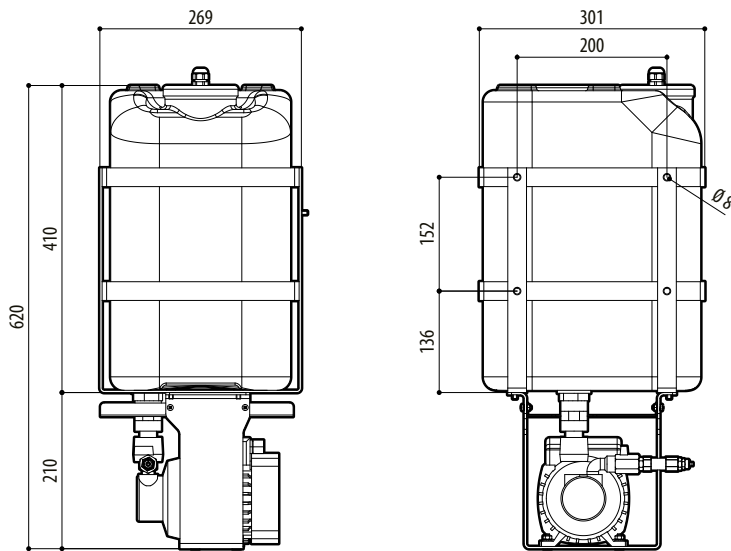
The indicated measurements are expressed in millimetres.



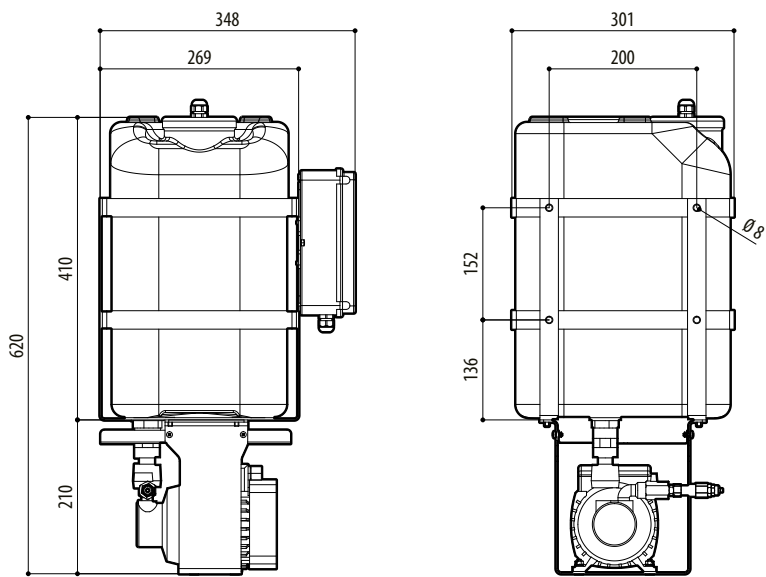
WATER TANK 5L (1.3GAL), 5M (16FT) DELIVERY (WAS-WASPT)



WATER TANK 23L (6GAL), 5M (16FT) DELIVERY (WAS-WASPT) 0 11M (36FT) (WAS)

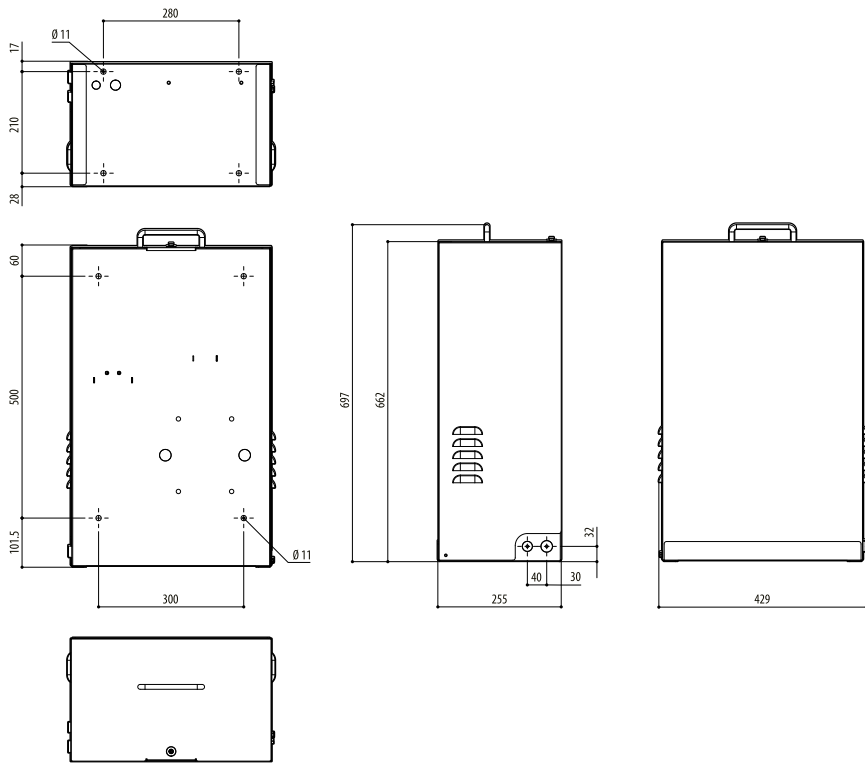


WATER TANK 23L (6GAL), 30M (98FT) DELIVERY (WAS)

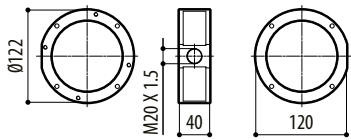


WATER TANK 23L (6GAL), 30M (98FT) DELIVERY (WASPT)





WASN



NXPTZSFP