

# NXPTZWB

## WALL MOUNT BRACKET



### DESCRIPTION

Support for NXPTZ SERIES2 PTZ, made of thick AISI 316L stainless steel. Can be combined with NXPTZCOL and NXPTZCW. pole and corner mount adapters.

### TECHNICAL DATA

#### MECHANICAL

Made of AISI 316L electropolished stainless steel

Load rating: 40kg (88lb)

Length: 400mm (15.7in)

Can be coupled with modular components: NXPTZCW, NXPTZCOL

Unit weight: 5.4kg (11.9lb)

### PART NUMBER

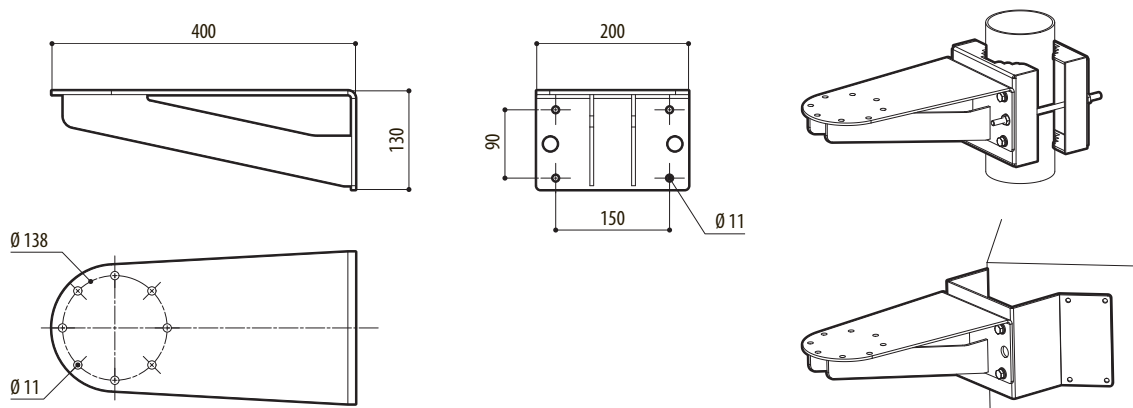
NXPTZWB AISI 316L stainless steel wall bracket

### PACKAGE

Model Number	Weight	Dimensions (WxHxL)	Master carton
NXPTZWB	2.9kg (6.4lb)	43.5x42x20cm (17x16.5x8in)	4

### TECHNICAL DRAWINGS

The indicated measurements are expressed in millimetres.



NXPTZWB