

# UEBPO

## PARAPET BRACKET WITH INTERNAL CABLE CHANNEL



### DESCRIPTION

Support for ULISSE EVO PTZ, for parapet assembly with cable internal passage.

### TECHNICAL DATA

#### MECHANICAL

Bracket for ULISSE EVO PTZ  
Aluminium pressure casting construction  
Dimensions:  $\varnothing 129 \times 53 \text{mm}$  (5x2in)  
Unit weight: 0.5kg (1.1lb)

#### PART NUMBER

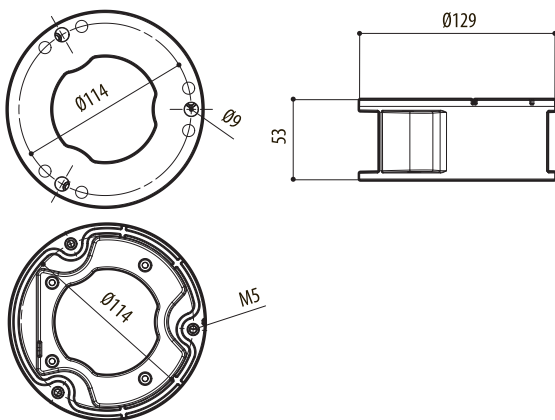
UEBP0FA Parapet bracket with internal cable channel for ULISSE EVO, black colour (RAL9005)  
UEBP0AA Parapet bracket with internal cable channel for ULISSE EVO, grey-white (RAL9002)

#### PACKAGE

Model Number	Weight	Dimensions (WxHxL)	Master carton
UEBP0	0.7kg (1,5lb)	18x20x7cm (7x7.9x2.8in)	-

### TECHNICAL DRAWINGS

The indicated measurements are expressed in millimetres.



UEBP0