

UEBW

WALL BRACKET WITH INTERNAL CABLE CHANNEL



DESCRIPTION

Support for ULISSE EVO PTZ, for wall assembly with cable internal passage.

TECHNICAL DATA

MECHANICAL

Bracket for ULISSE EVO PTZ
Aluminium pressure casting construction
Dimensions: 129x247x114mm (5x9.7x4.5in)
Unit weight: 0.8kg (1.8lb)

PART NUMBER

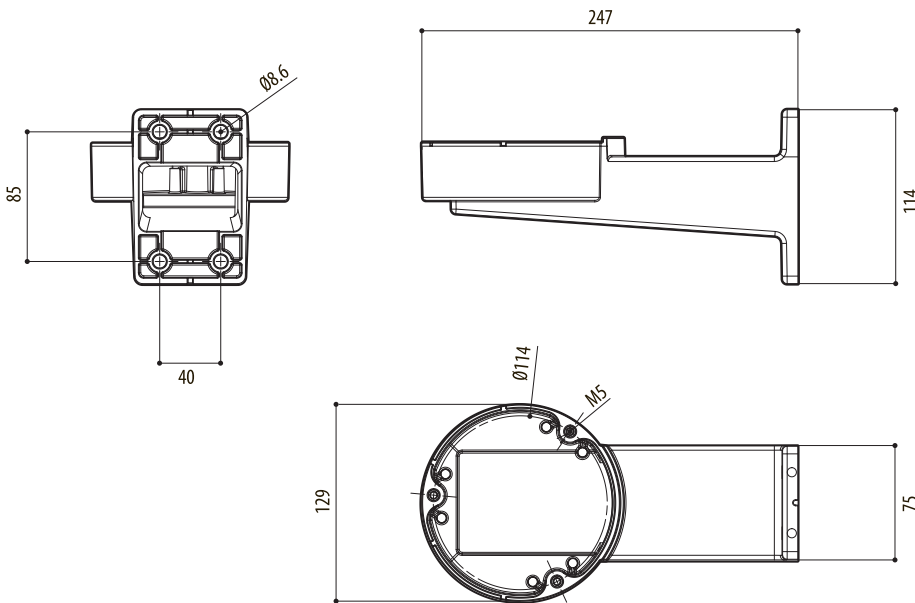
UEBWAA Wall bracket for ULISSE EVO, grey-white (RAL9002)
UEBWFA Wall bracket for ULISSE EVO, black colour (RAL9005)

PACKAGE

Model Number	Weight	Dimensions (WxHxL)	Master carton
UEBW	1.15kg (2.5lb)	17x30.5x13cm (6.7x12x5.1in)	-

TECHNICAL DRAWINGS

The indicated measurements are expressed in millimetres.



UEBW